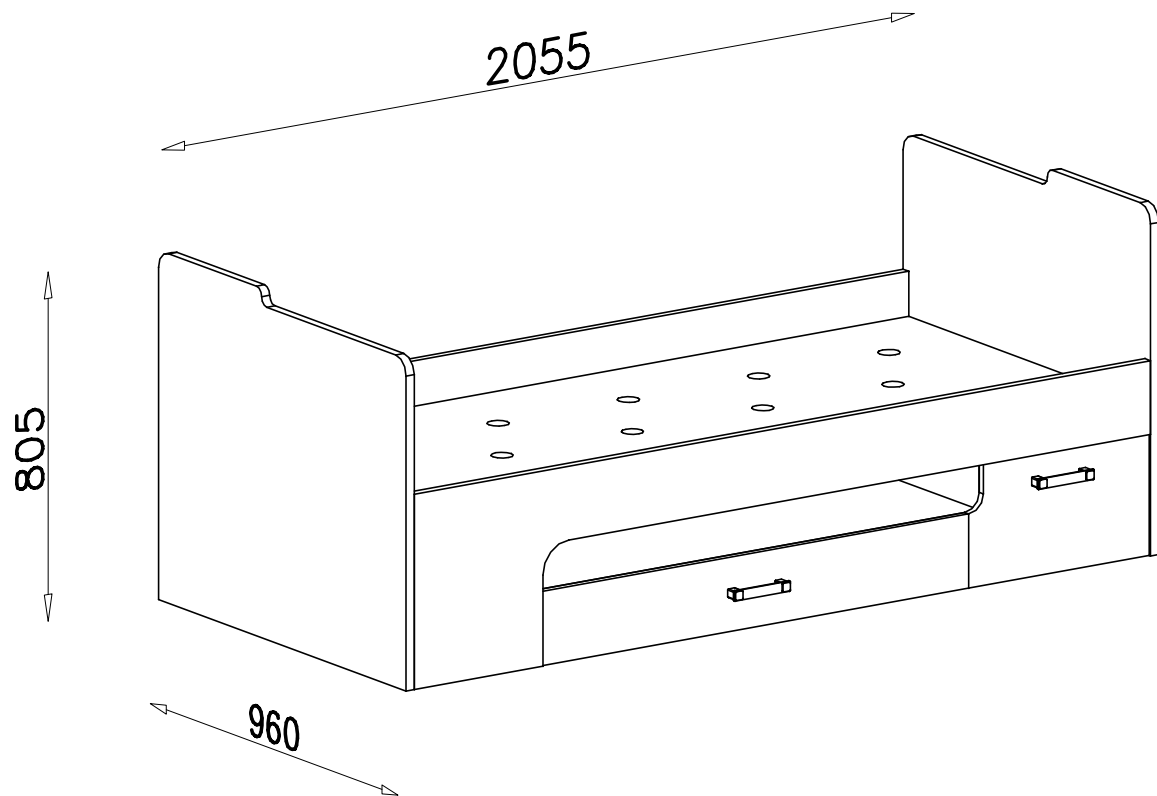
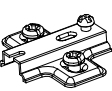
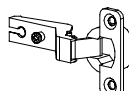
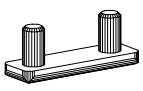





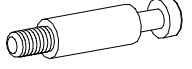
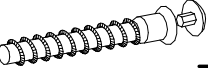



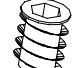


system BLOG

BL 20



F  x4	D  x4	G  x10	Y  x4	
W  x5	E  x4	U  x3	N  4 x 30 x6	S  x4
A  x32	B  x98	T  4 x 16 x16	Z  x1	P  x4