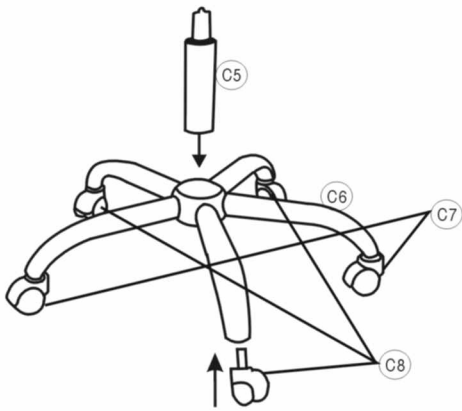


202032

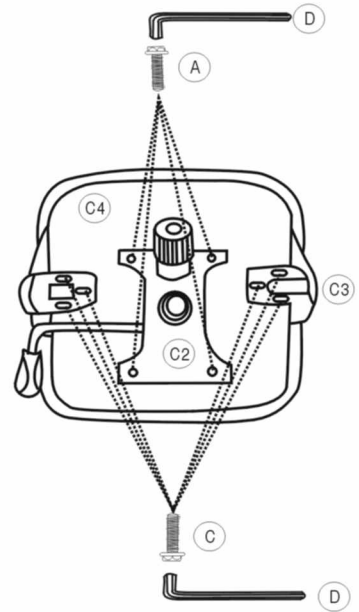


C1 × 1		A × 4 M6 × 2.0 mm
C2 × 1		B × 4 M6 × 3.0 mm
C3 × 2		C × 6 M6 × 3.5 mm
C4 × 1		D × 1
C5 × 1		
C6 × 1		
C7 × 2		
C8 × 3		

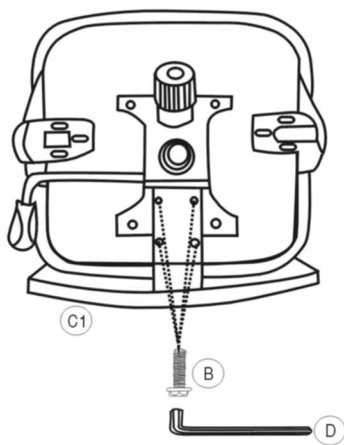
1



2



3



4

