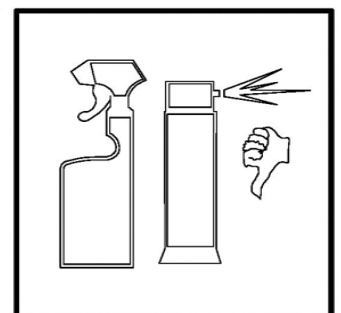
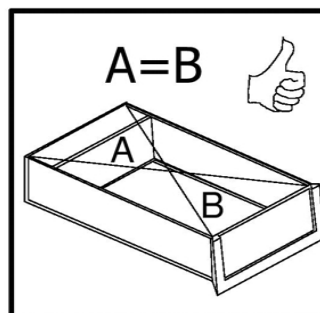
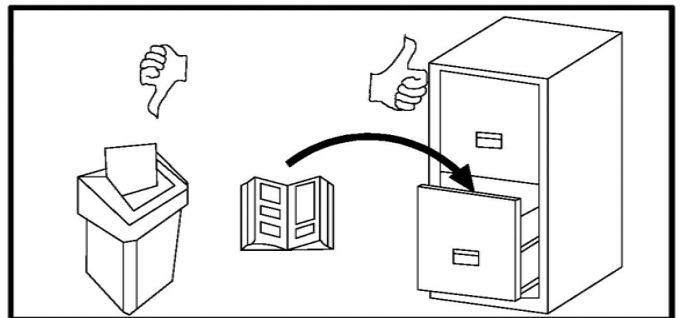
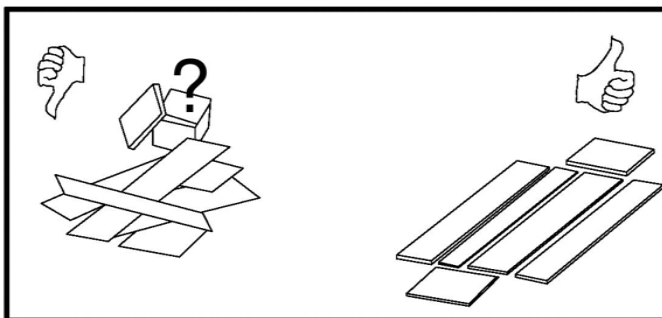
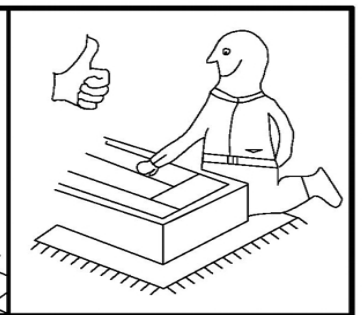
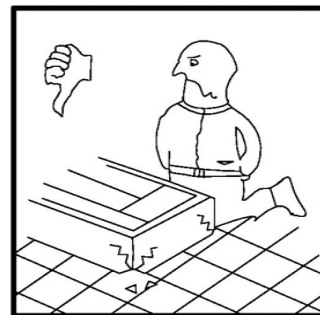
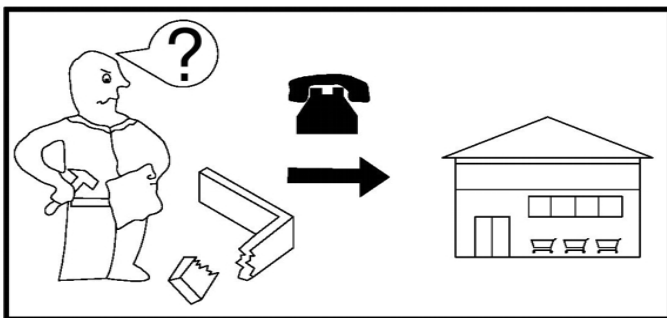
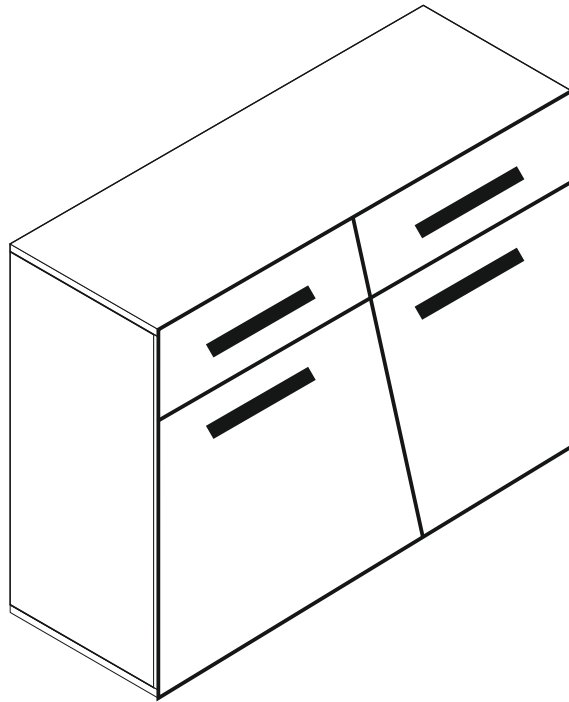
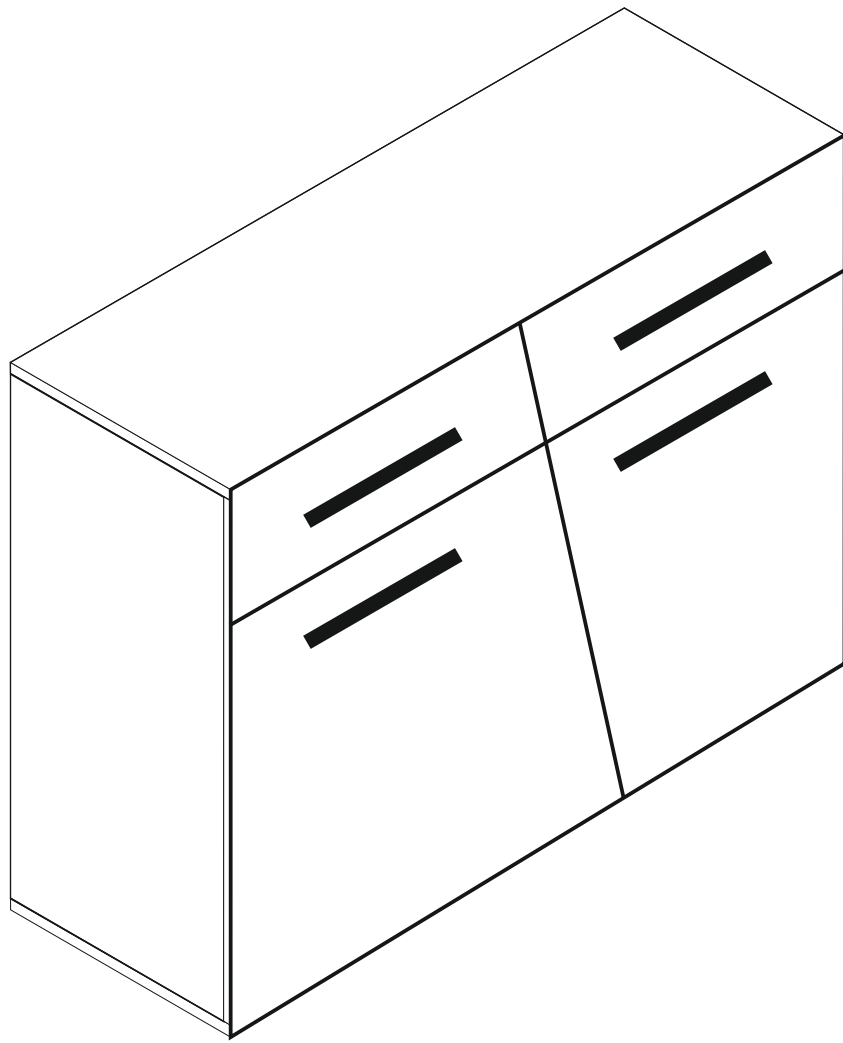
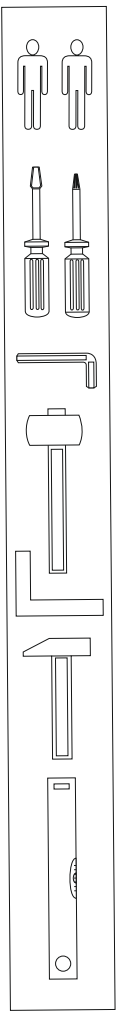
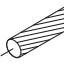
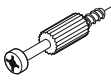
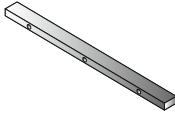

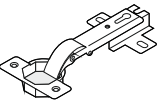

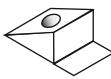






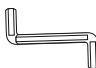

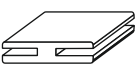


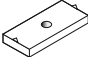

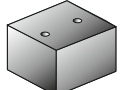
STRAIGHT KOM 2



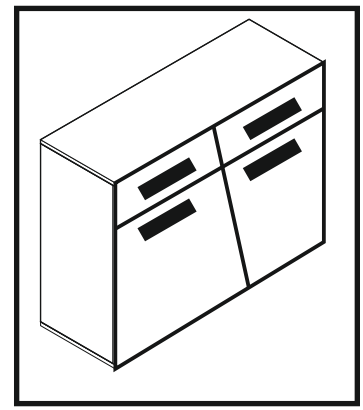
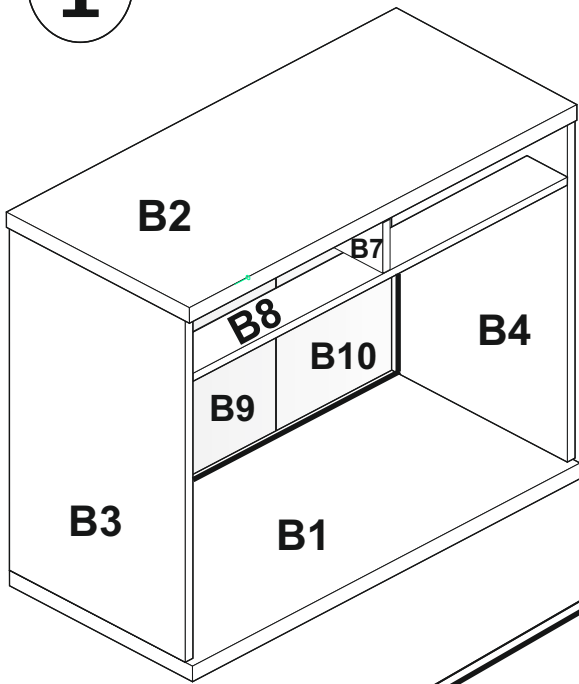


1	 8mm x 35mm	<u>X 10</u>
2	 4mm x 16mm	<u>X 12</u>
3		<u>X 4</u>
4A	 4mm x 16mm	<u>X 1</u>
5		<u>X 4</u>
6	 5mm x 11mm	<u>X 16</u>
38		<u>X 10</u>
53	 3.5x20	<u>X 8</u>

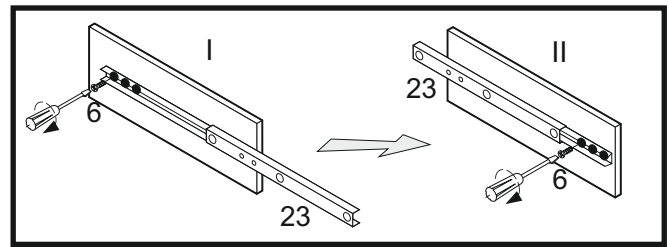
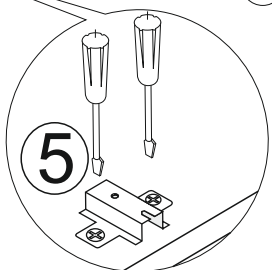
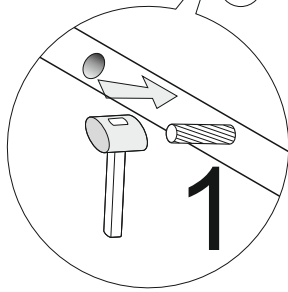
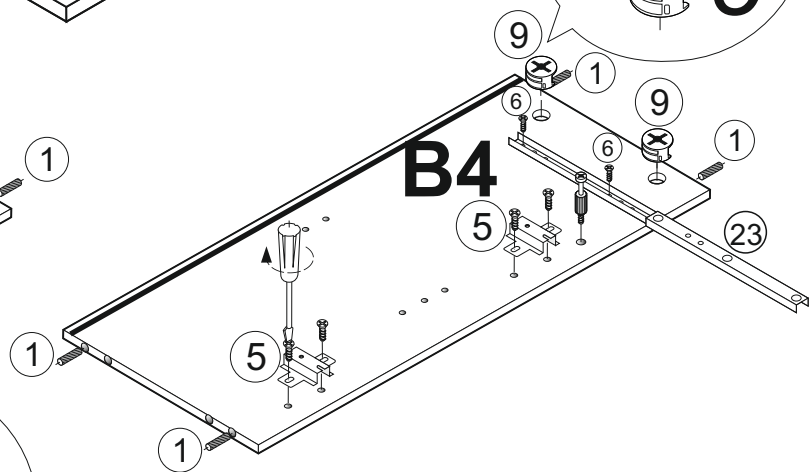
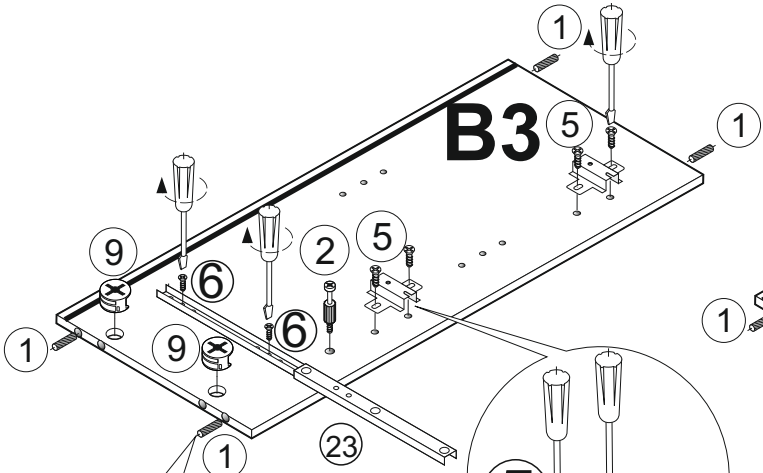
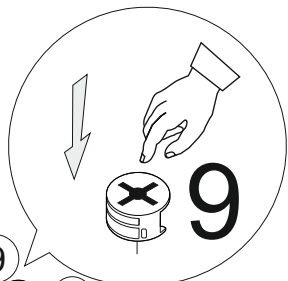
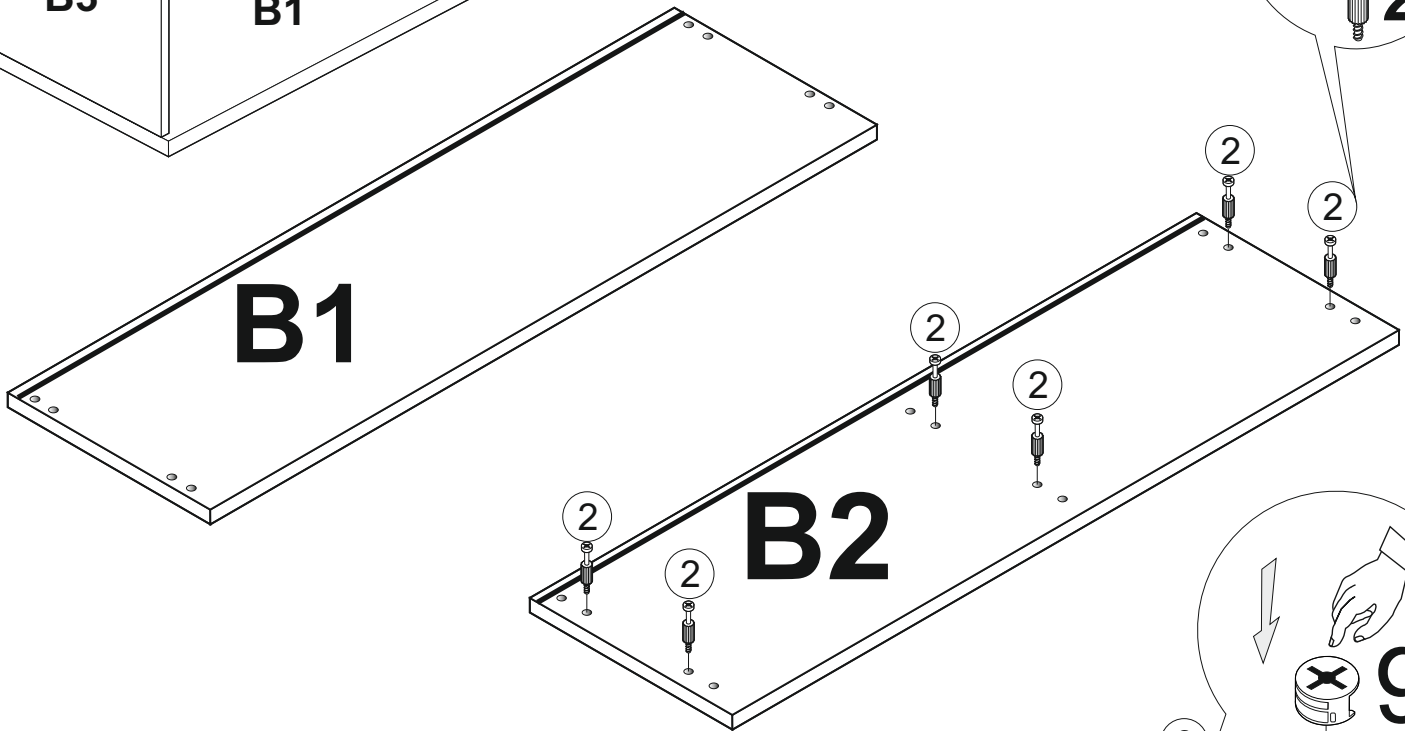
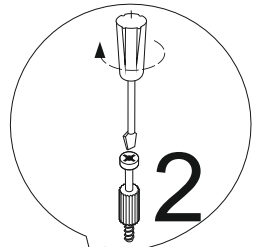
13		<u>X 4</u>
22	 7mm x 50mm	<u>X 14</u>
9A		<u>X 8</u>
9		<u>X 8</u>
4	 3.5x30	<u>X 12</u>
26		<u>X 1</u>
24		<u>X 4</u>
60		<u>X 1</u>

41		<u>X 1</u>
22A		<u>X 14</u>
25	 M 4 x 9	<u>X 4</u>
23		<u>X 4</u>
35		<u>X 2</u>
39	 3x20	<u>X 22</u>
10		<u>X 4</u>
80		<u>X 1</u>

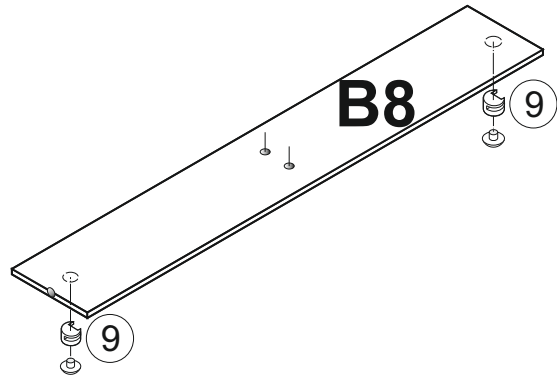
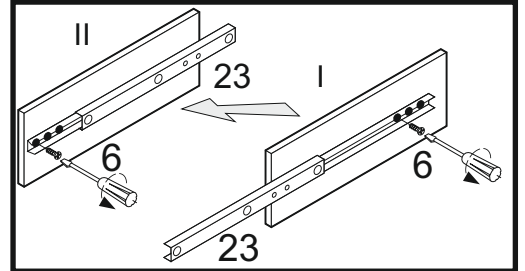
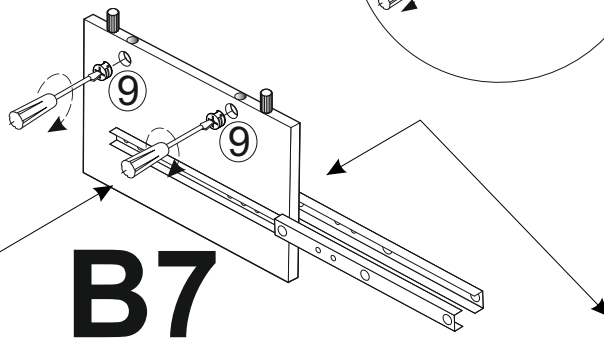
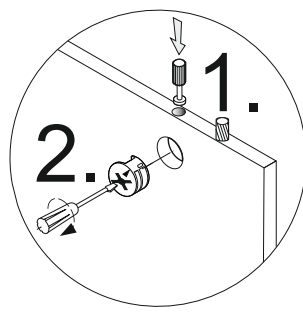
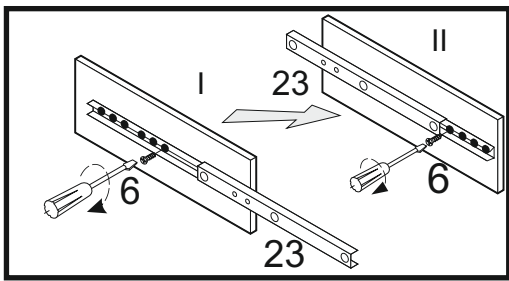
I



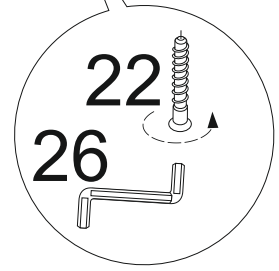
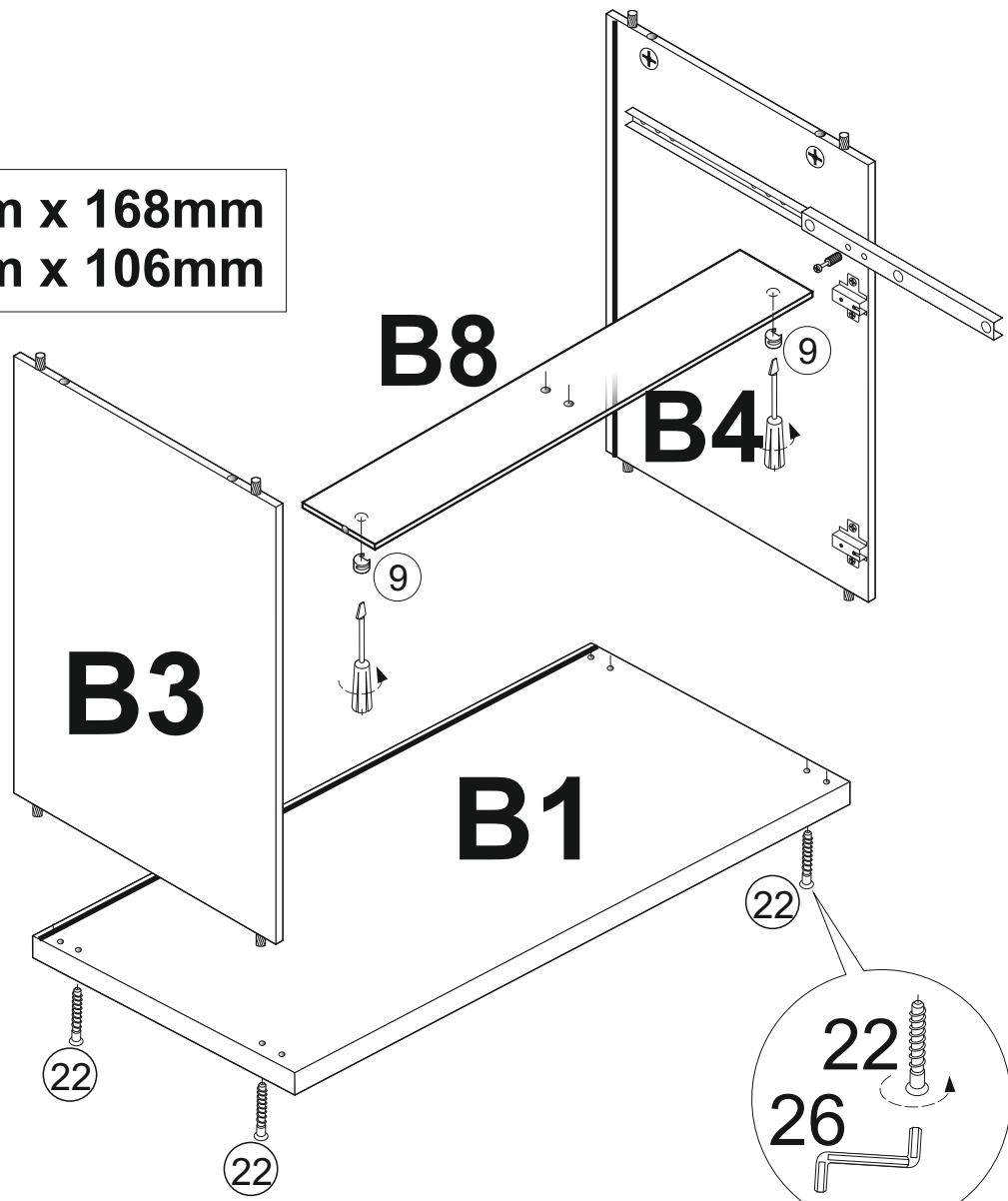
B1/B2 901mm x 360mm
B3/B4 736mm x 360mm



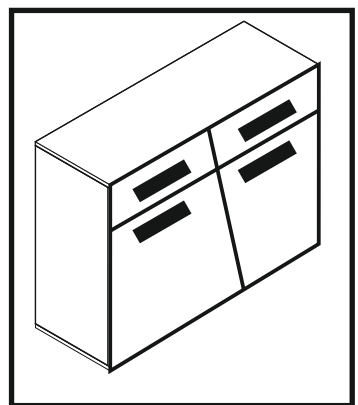
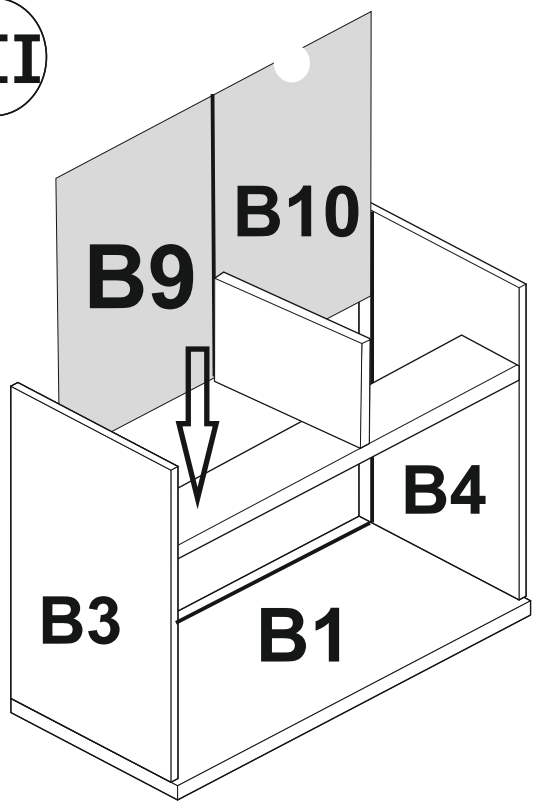
II



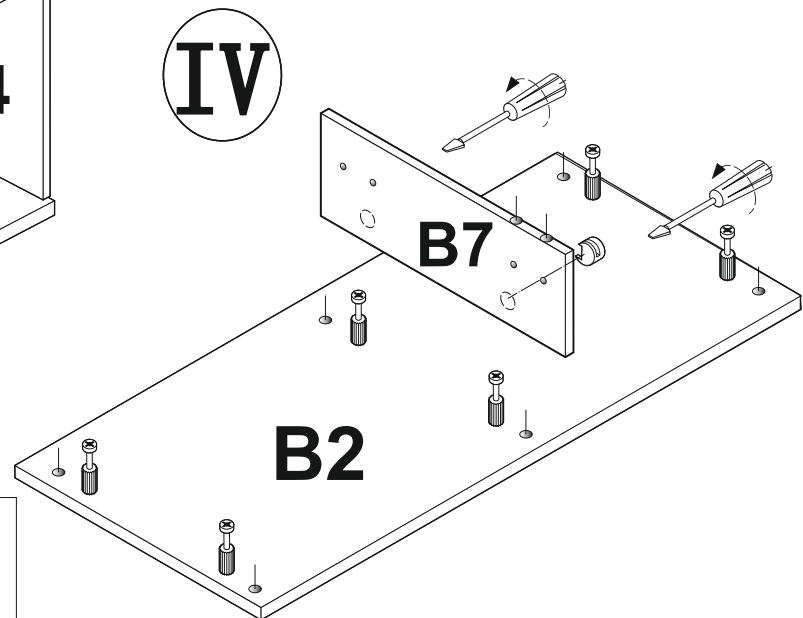
B7	340mm x 168mm
B8	867mm x 106mm



III

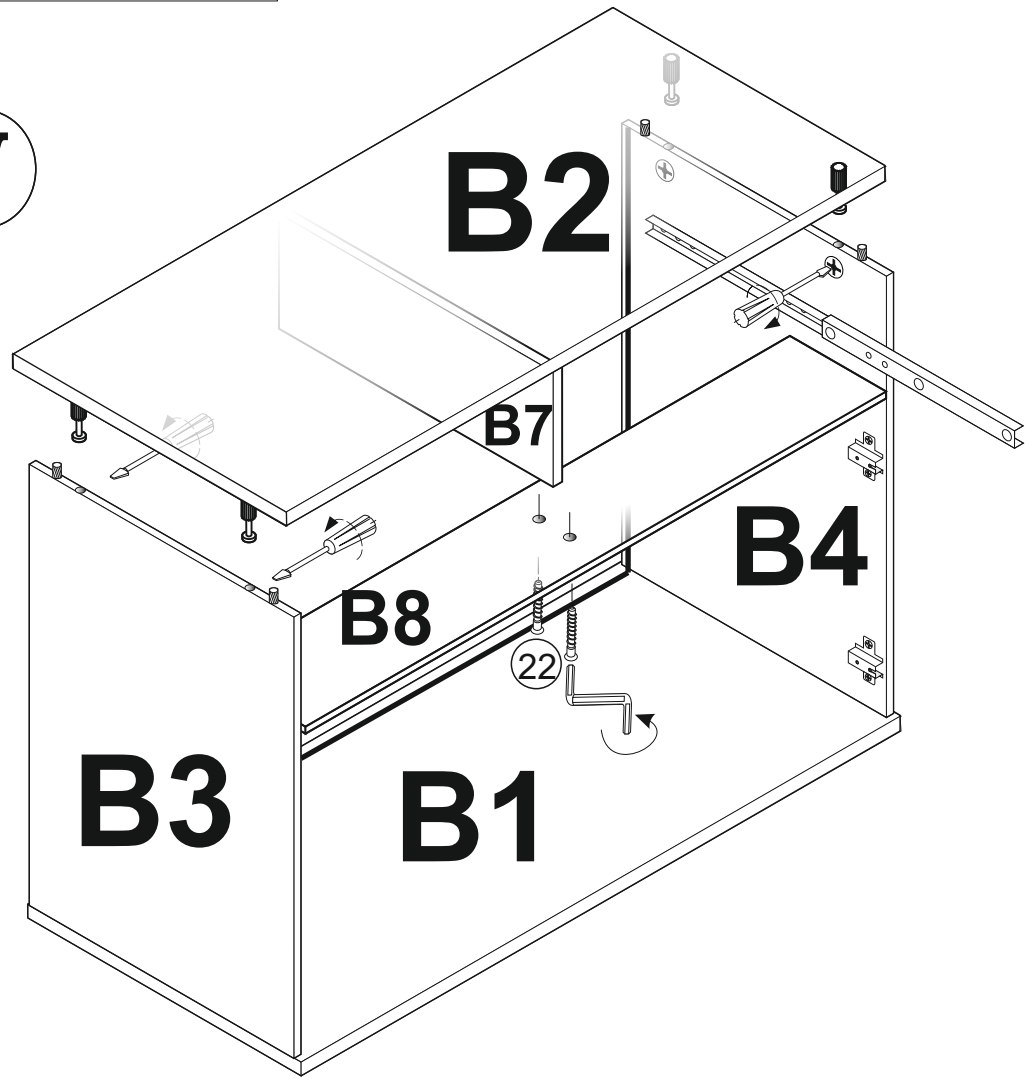


IV

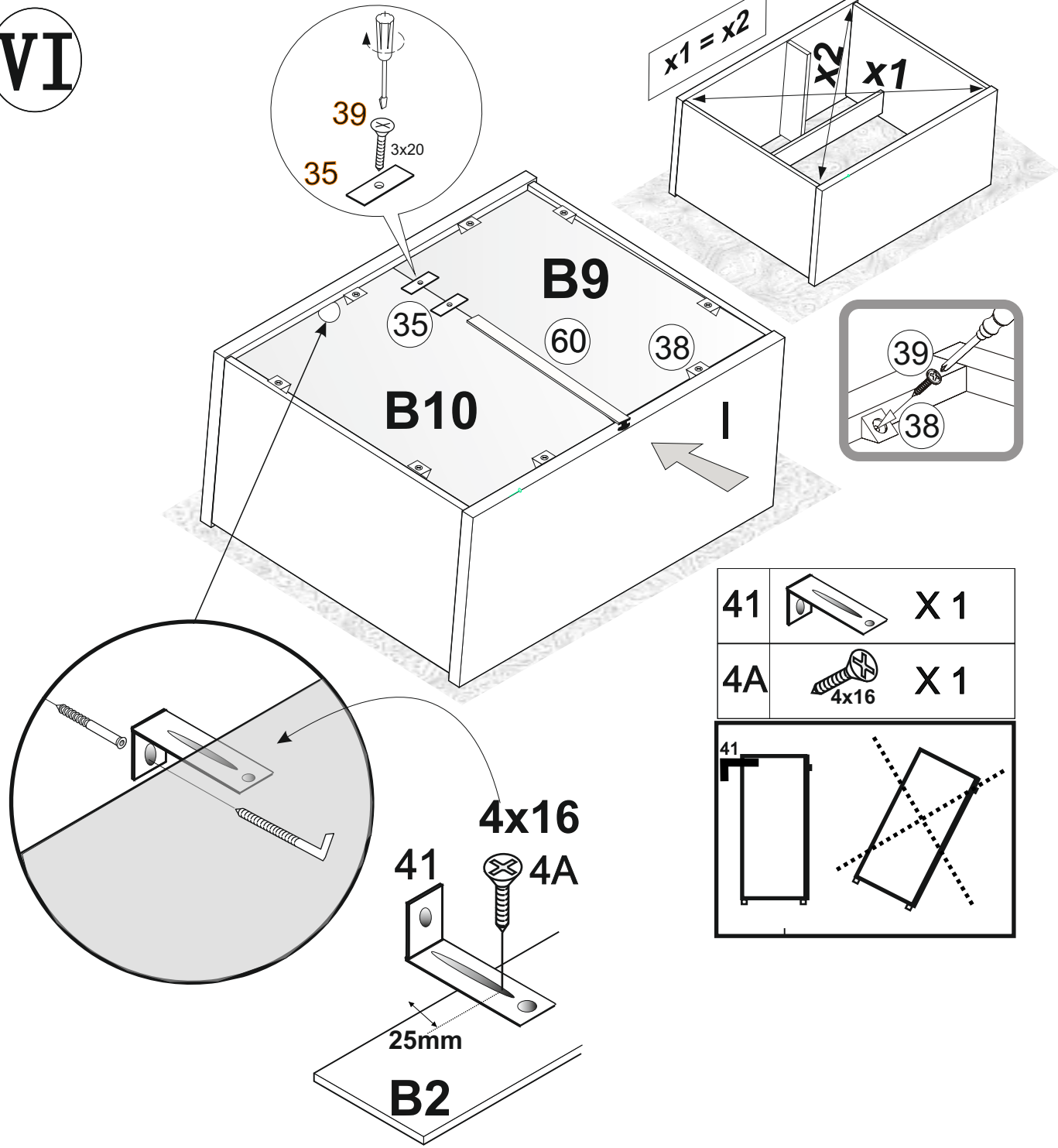


B9	746mm x 464mm
B10	746mm x 413mm

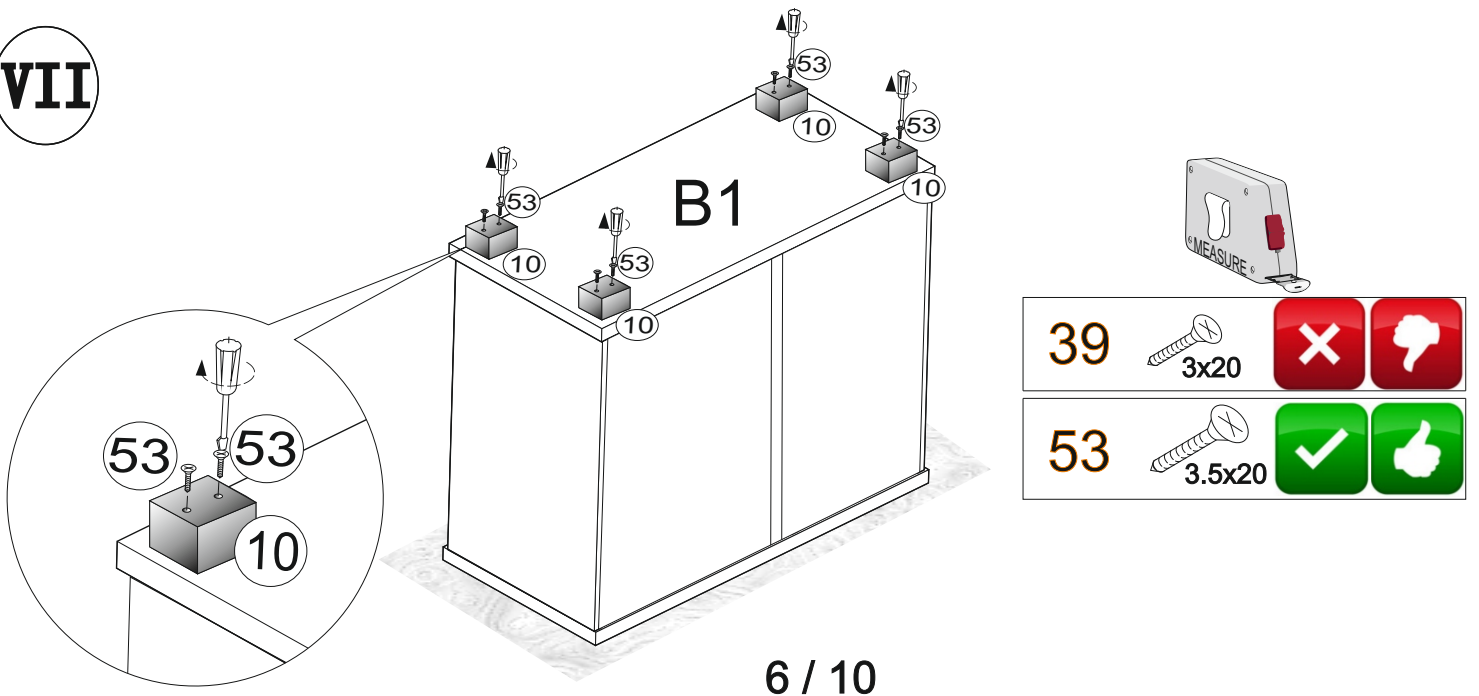
V



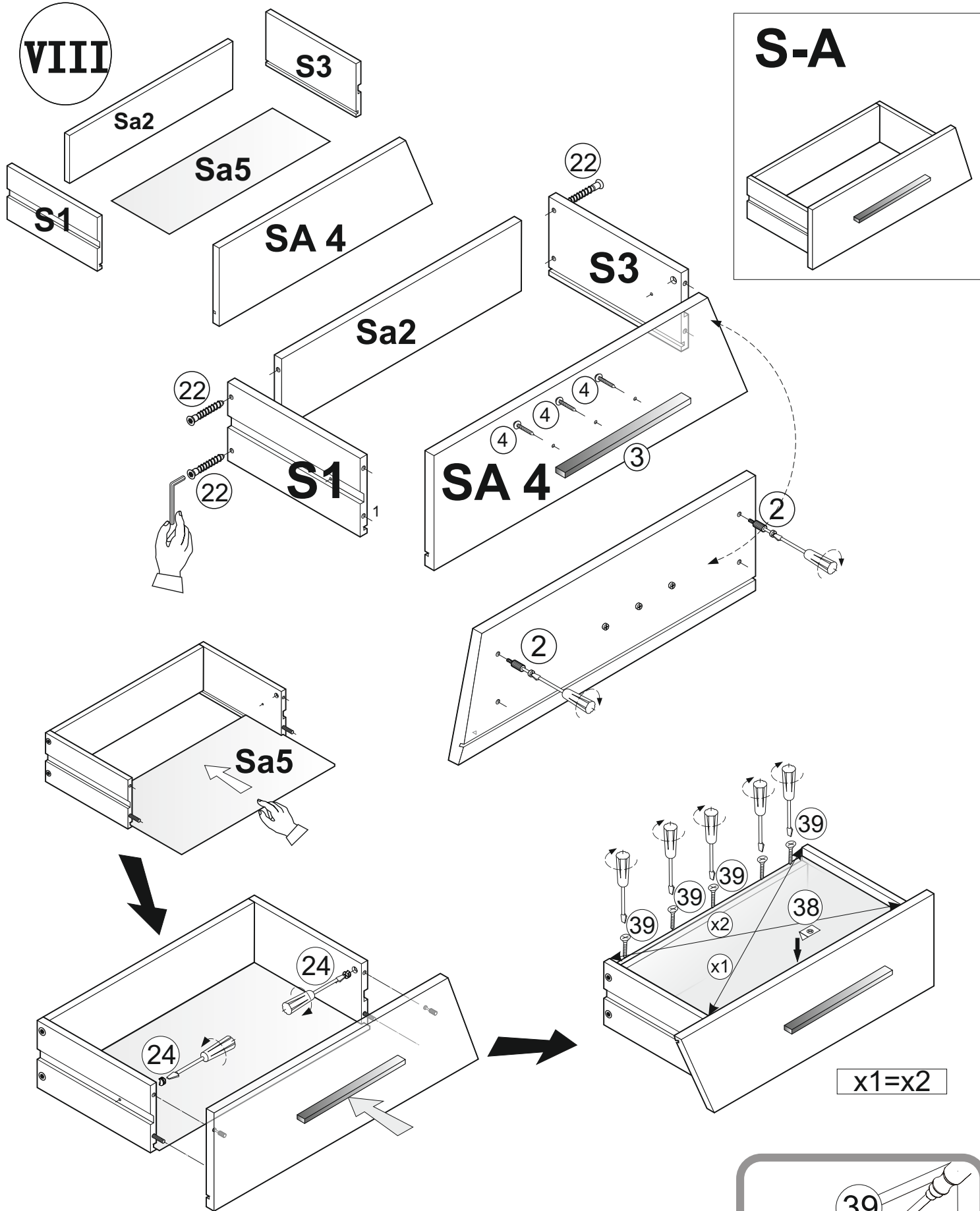
VI



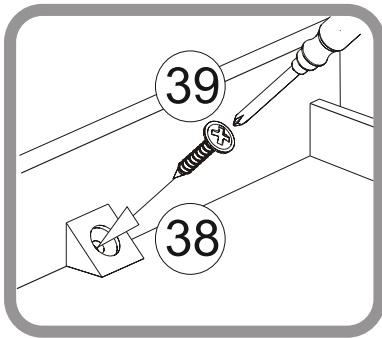
VII



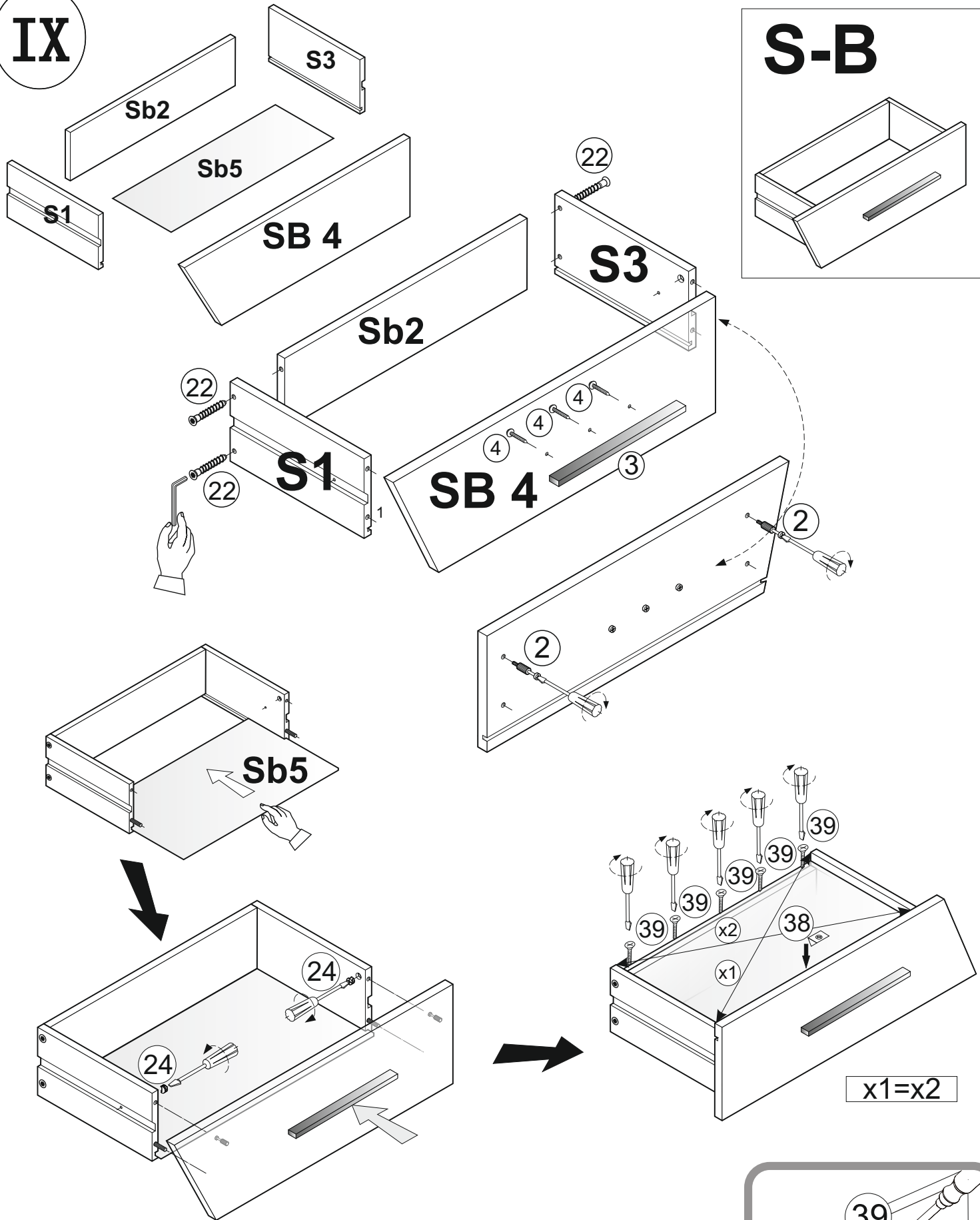
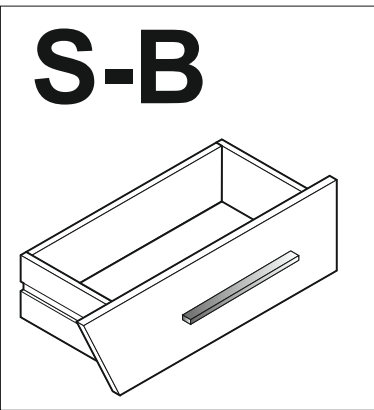
VIII



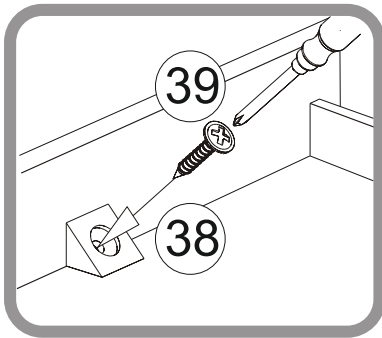
S1/S3	300mm x 100mm
SA2	368mm x 85mm
SA4	429mm x 188mm
SA5	380mm x 304mm



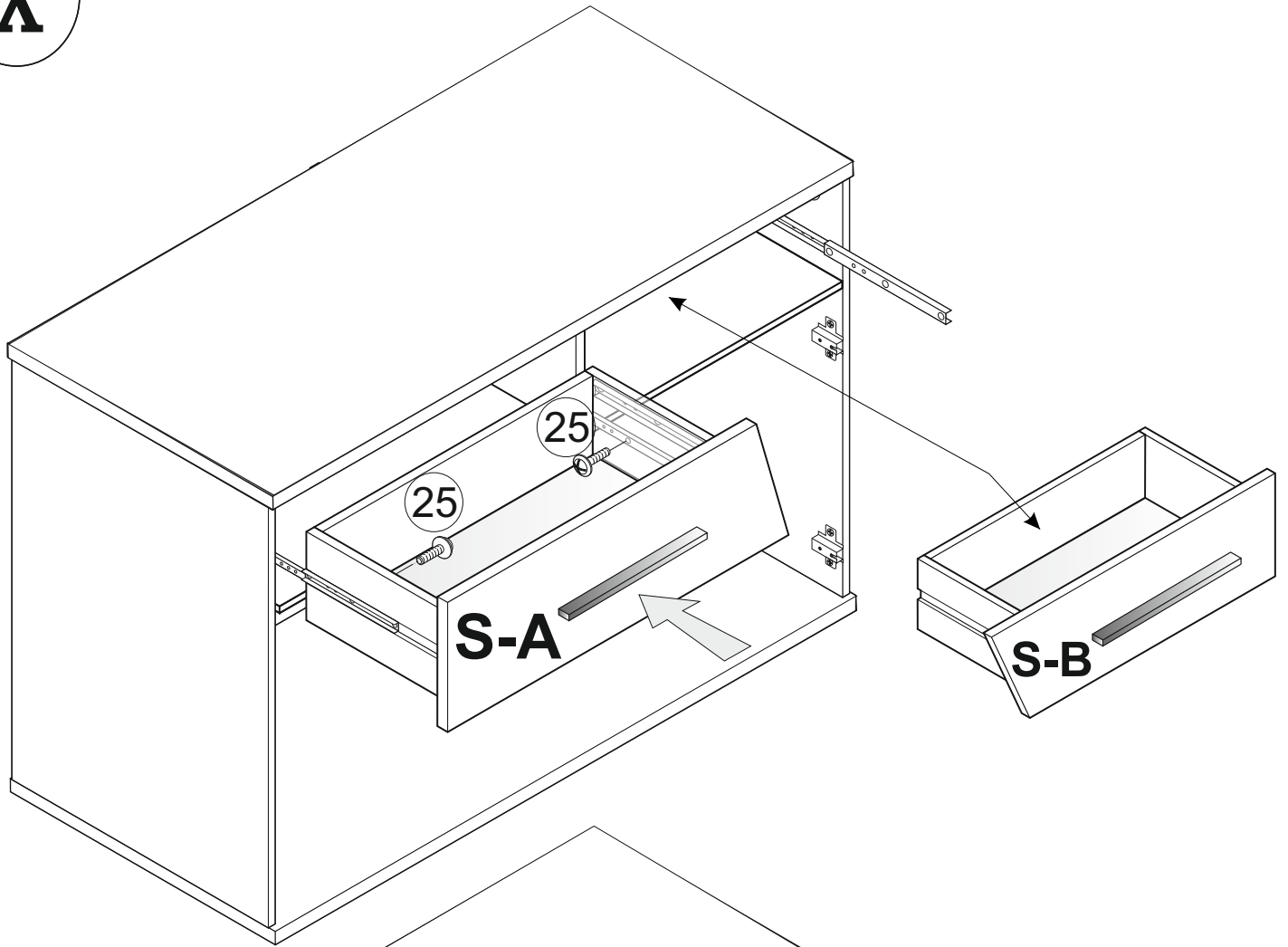
IX



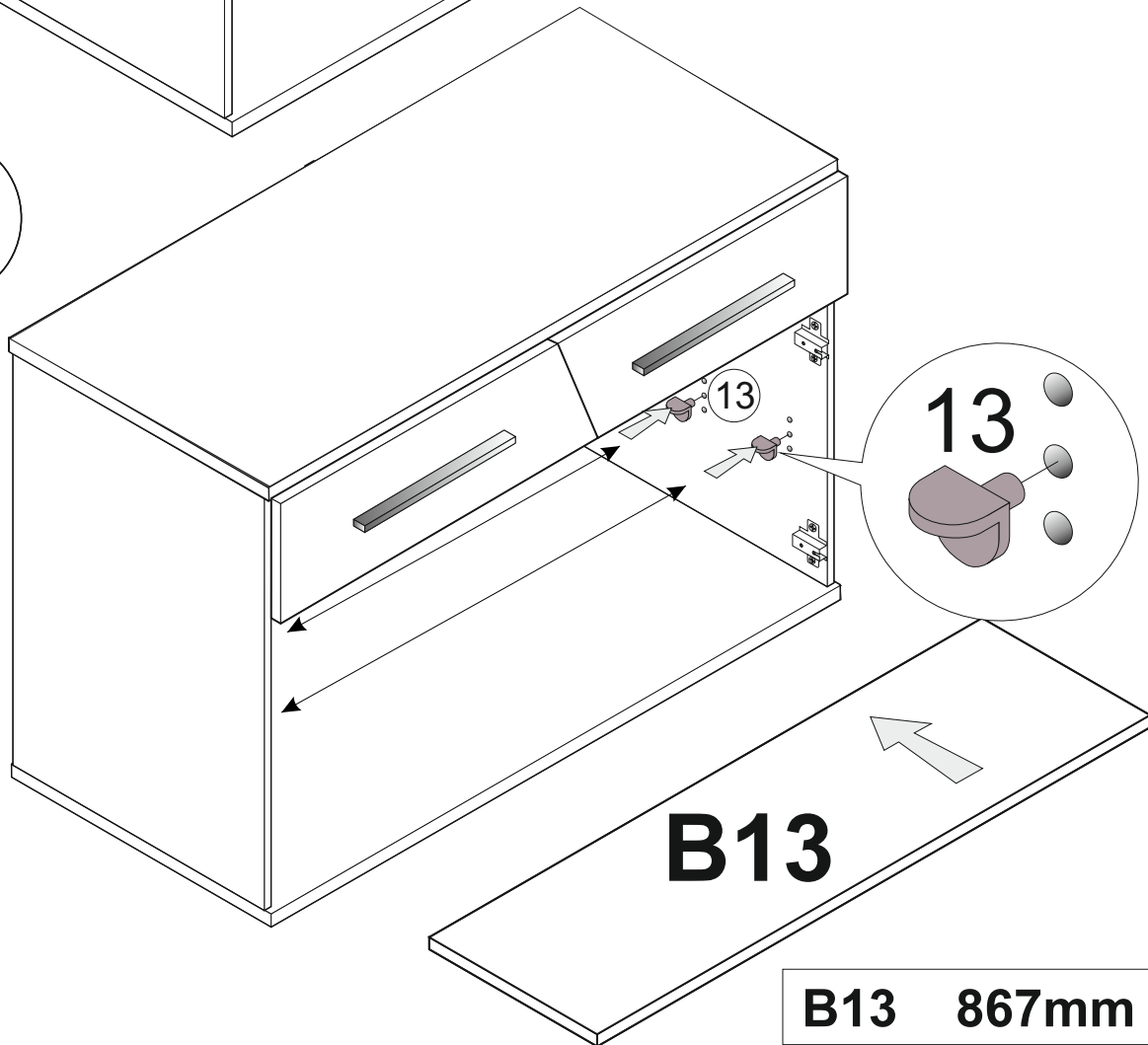
S1/S3	300mm x 100mm
SB2	418mm x 85mm
SB4	480mm x 188mm
SB5	430mm x 304mm



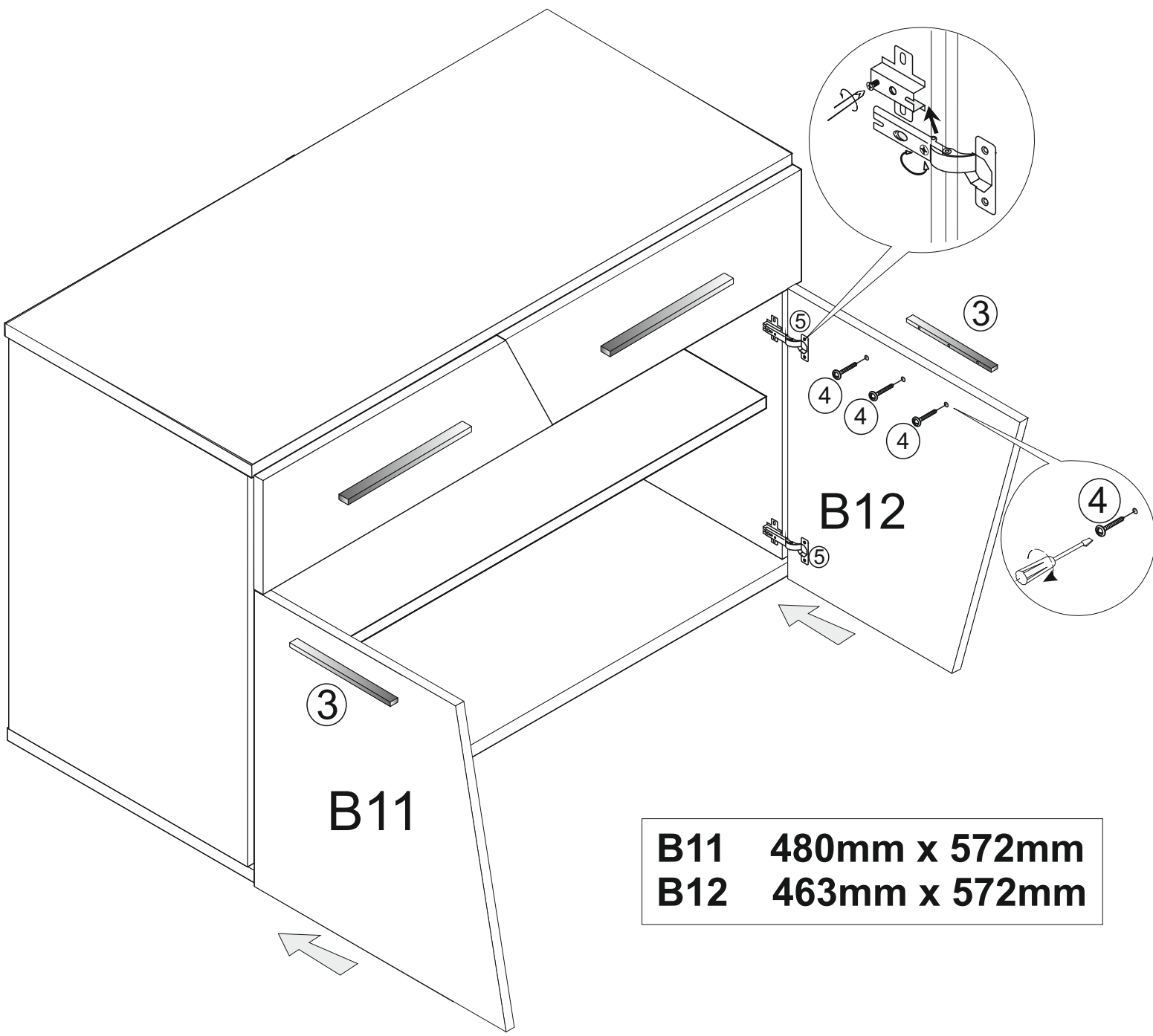
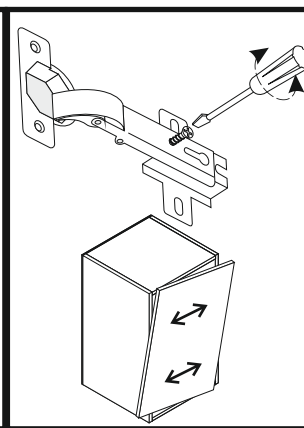
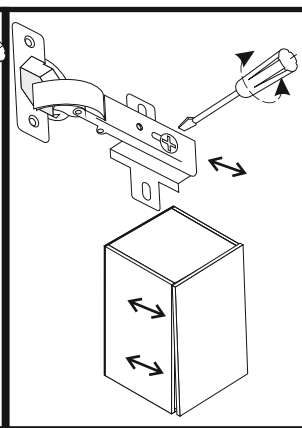
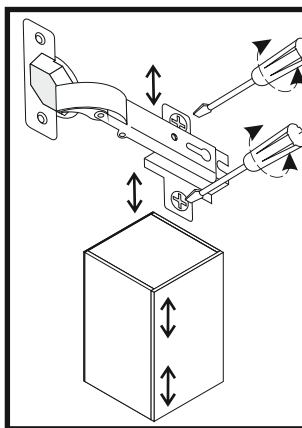
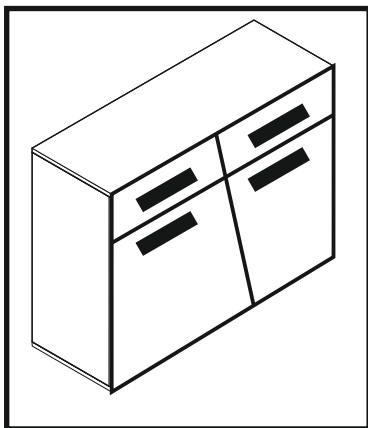
X



XI



XII



B11	480mm x 572mm
B12	463mm x 572mm