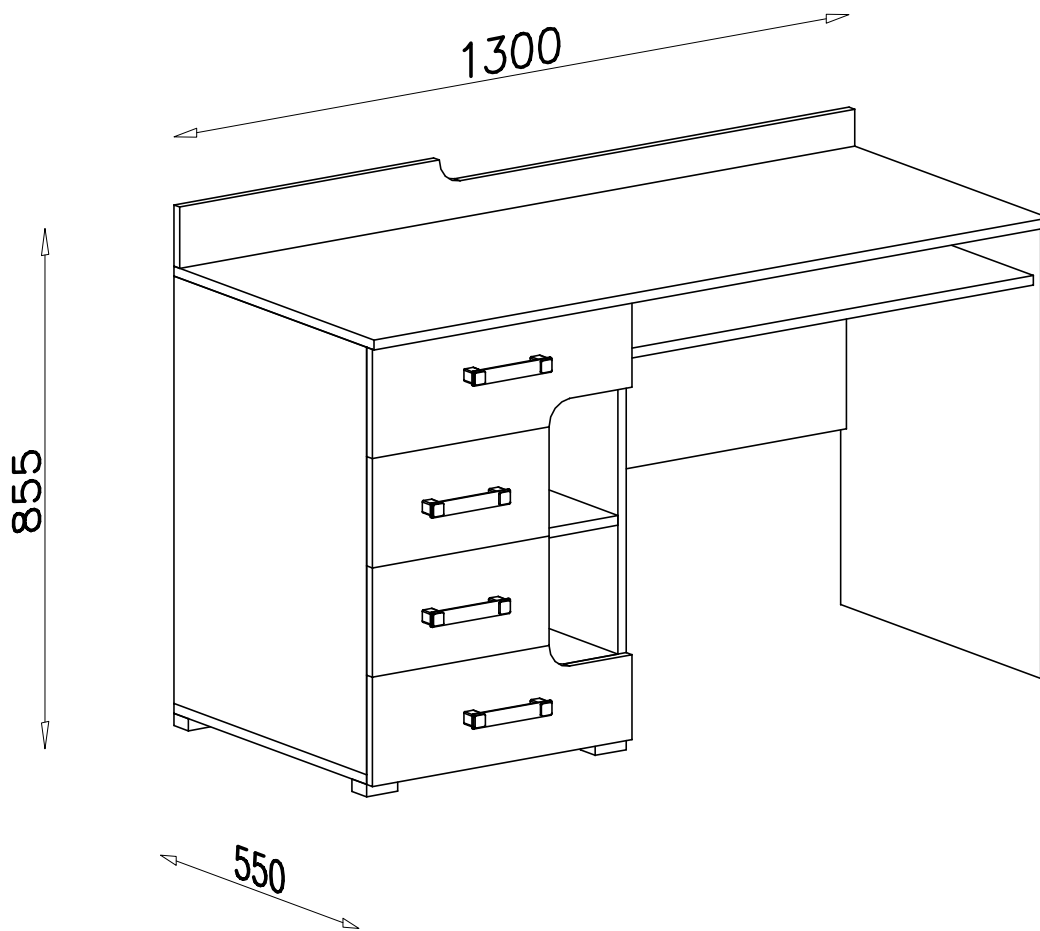
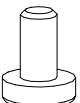

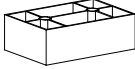

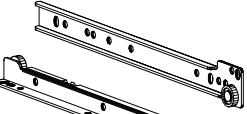

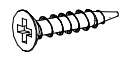


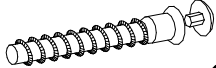



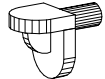


system BLOG

BL 13



S  x2	K  6 x 13 x20	G  x4	M  4 x 25 x8	H  40cm x5
W  x4	E  3 x 20 x60	U  x4	N  4 x 27 x8	
A  x18	B  x67	T  4 x 16 x30	Z  x1	P  x4