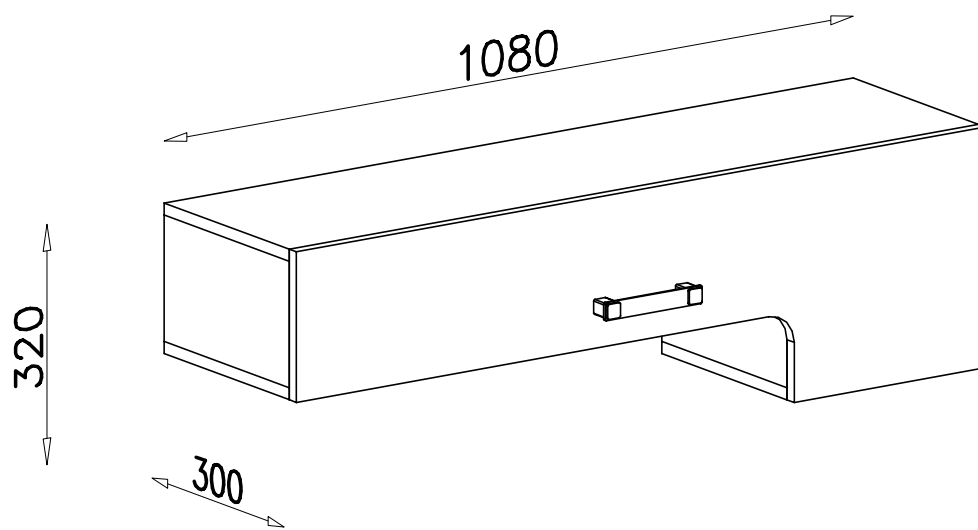
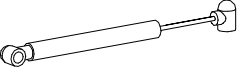
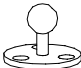
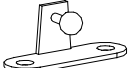



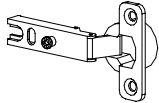
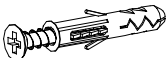

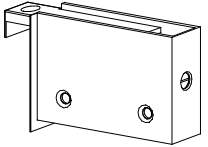




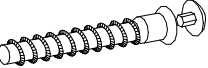



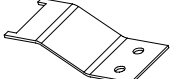


system BLOG

BL 15



J  80N x1	R  x1	S  x1	I  3,5 x 16 x5	Y  165mm x1
F  x2	D  x2	G  x4	M  4 x 30 x4	H  x2
W  GLUE KLEJ x1	E  3 x 20 x30	U  x1	N  4 x 27 x2	
A  x6	B  x10	T  4 x 16 x4	Z  x1	K  x2