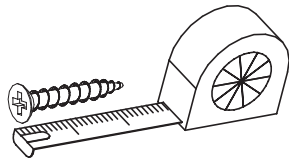
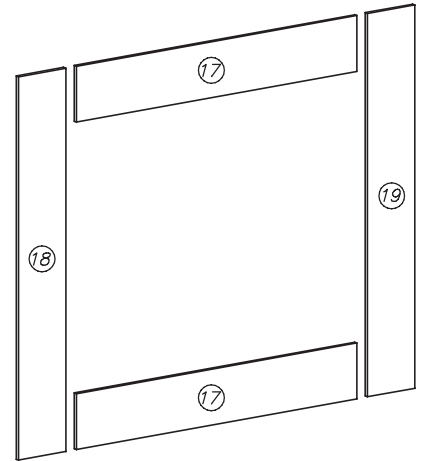
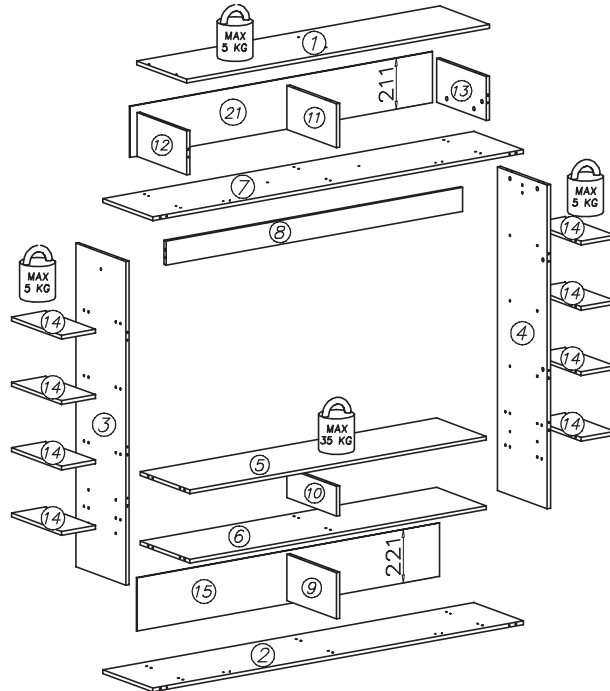
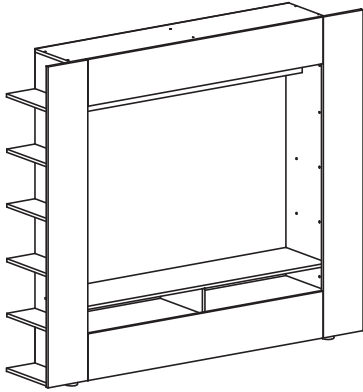
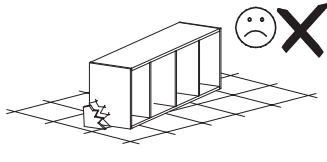
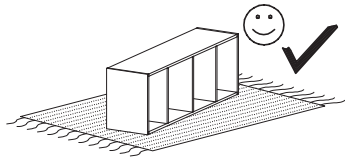
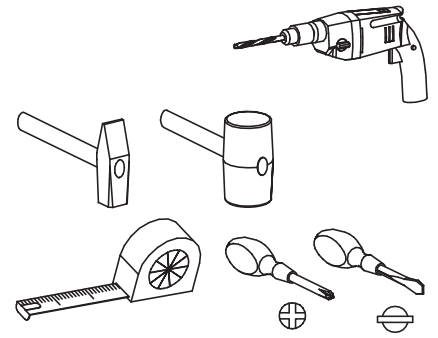
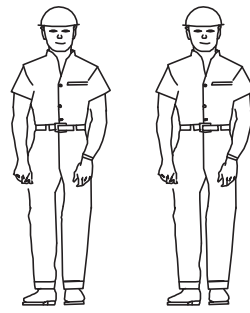


1/10

# Olli

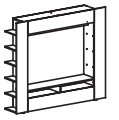
## M6.951.xx



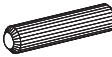
**Max. zulässige Belastungen von Einlegeböden in kg:**

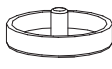
| Länge    | Stärke<br>mm | Spanplatte |    |    | Glas<br>4 / 5 / 8        | RW<br>mit Boden  |
|----------|--------------|------------|----|----|--------------------------|------------------|
|          |              | 16         | 18 | 22 |                          |                  |
| 0<400    |              |            |    |    | Länge bis<br>600 mm/10kg | Länge<br>1000 mm |
| 401<600  | 15           | 15         | 15 |    | Länge bis<br>900 mm/5kg  | max 5kg          |
| 601<800  | 10           |            |    |    |                          |                  |
| 801<1000 | 5            | 5          |    |    |                          |                  |

|                            |                             |                            |                              |                           |                          |
|----------------------------|-----------------------------|----------------------------|------------------------------|---------------------------|--------------------------|
| <b>L6</b><br><br>x2        | <b>K1</b><br><br>ø15x12 x26 | <b>G21</b><br><br>3x16 x54 | <b>G28</b><br><br>4x60 x2    | <b>I7</b><br><br>ø18 x26  | <b>I9</b><br><br>ø12 x40 |
|                            | <b>K5</b><br><br>x26        | <b>M11</b><br><br>x2       | <b>G36</b><br><br>3,5x13 x18 | <b>W2</b><br><br>4mm x1   | <b>F2</b><br><br>x8      |
| <b>A1</b><br><br>ø7x50 x40 | <b>B1</b><br><br>ø8x35 x68  | <b>C3</b><br><br>Z35PR x4  | <b>D3</b><br><br>PZ35PR x4   | <b>U6</b><br><br>ø8x40 x2 | <b>P1</b><br><br>x5      |

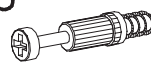


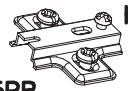
I

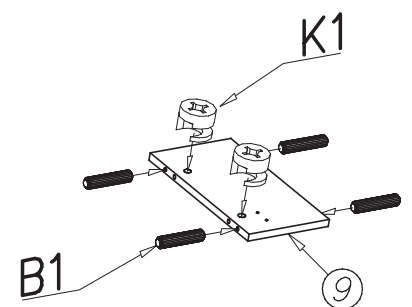
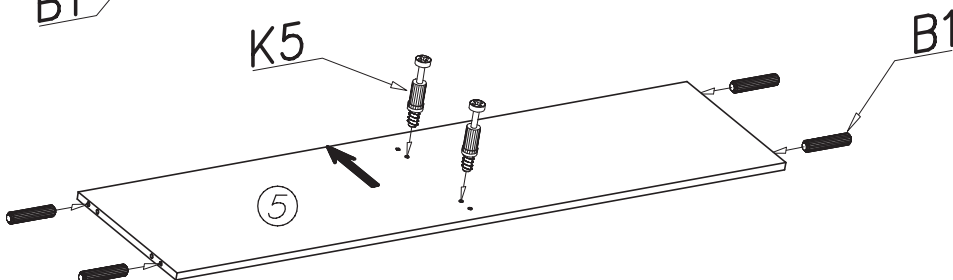
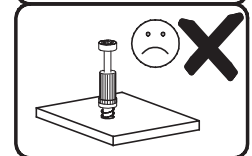
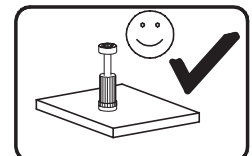
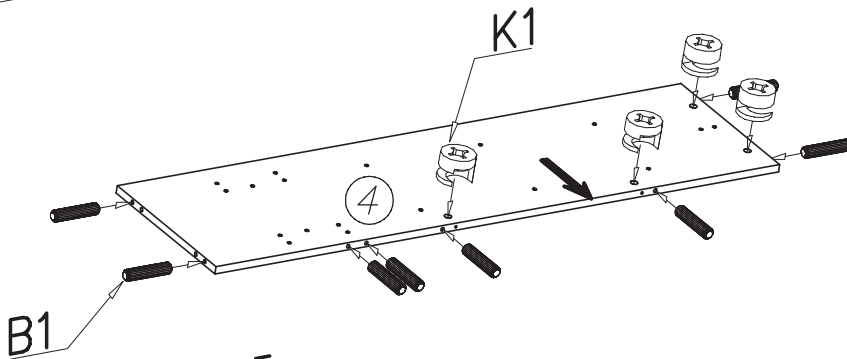
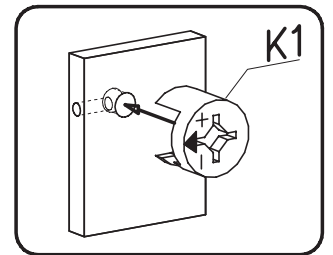
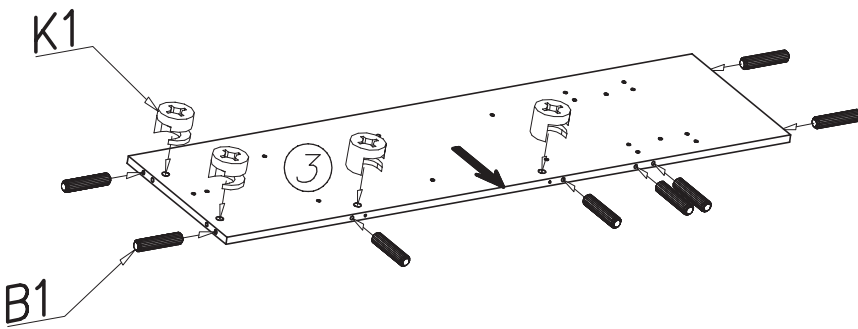
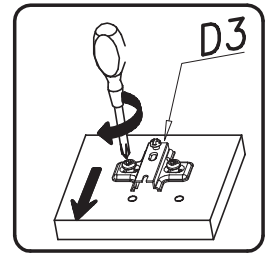
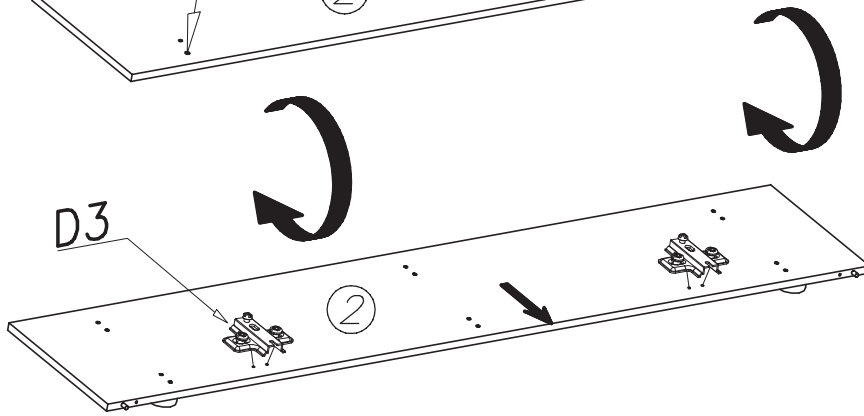
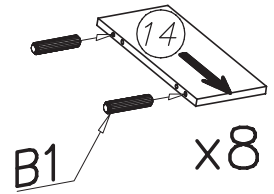
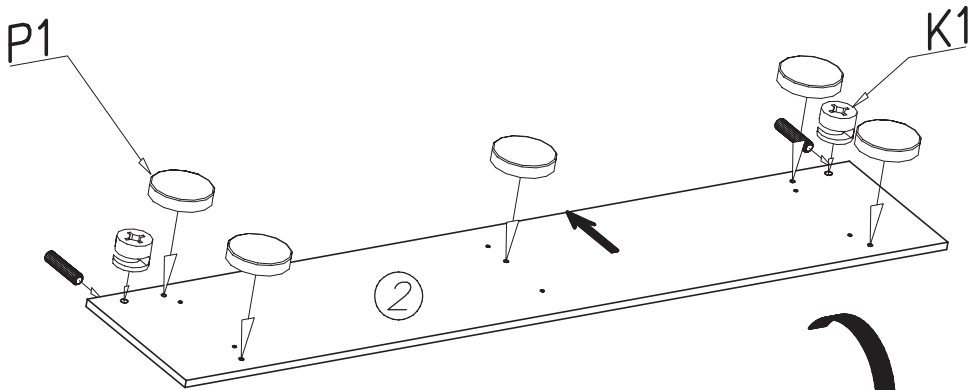
**B1**   $\varnothing 8 \times 35$  x42

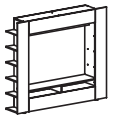
**P1**  x5

**K1**   $\varnothing 15 \times 12$  x12



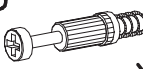
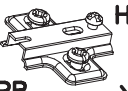
**K5**  x2

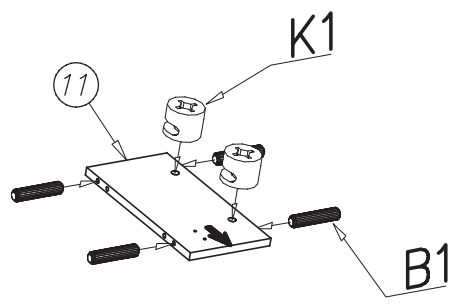
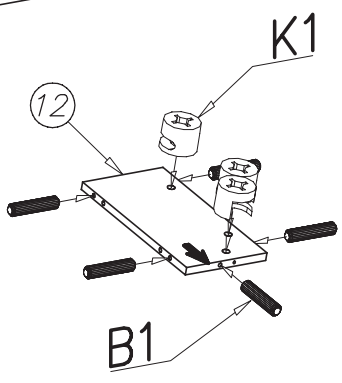
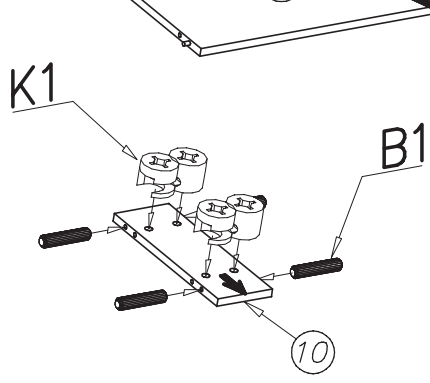
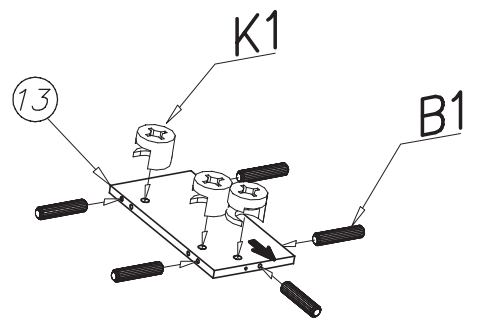
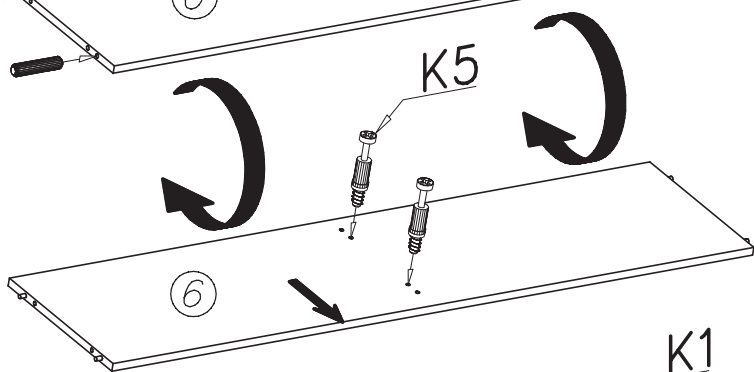
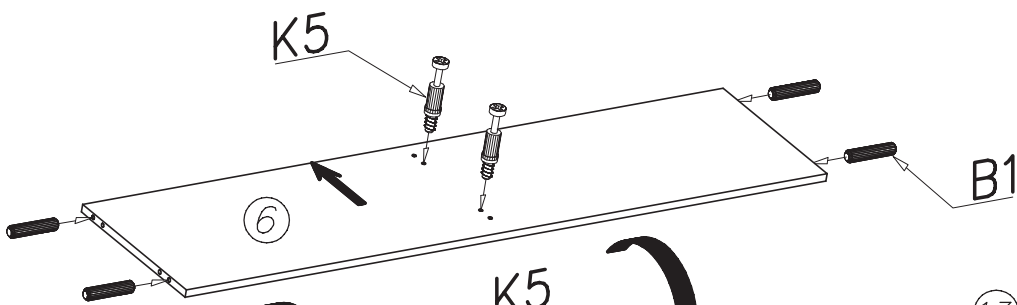
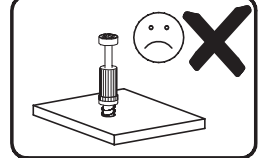
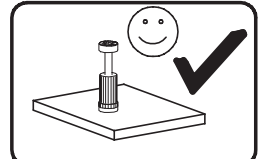
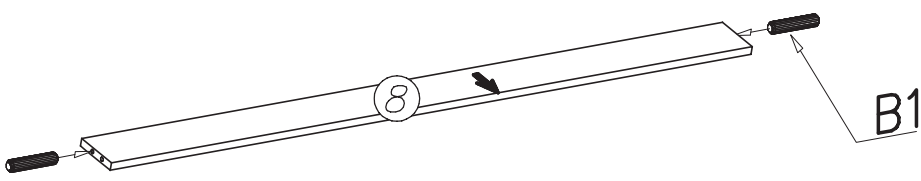
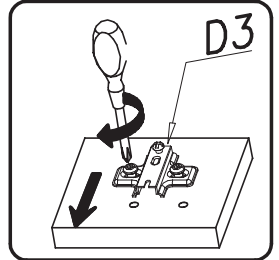
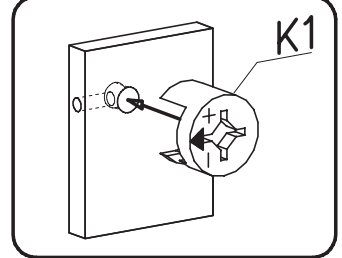
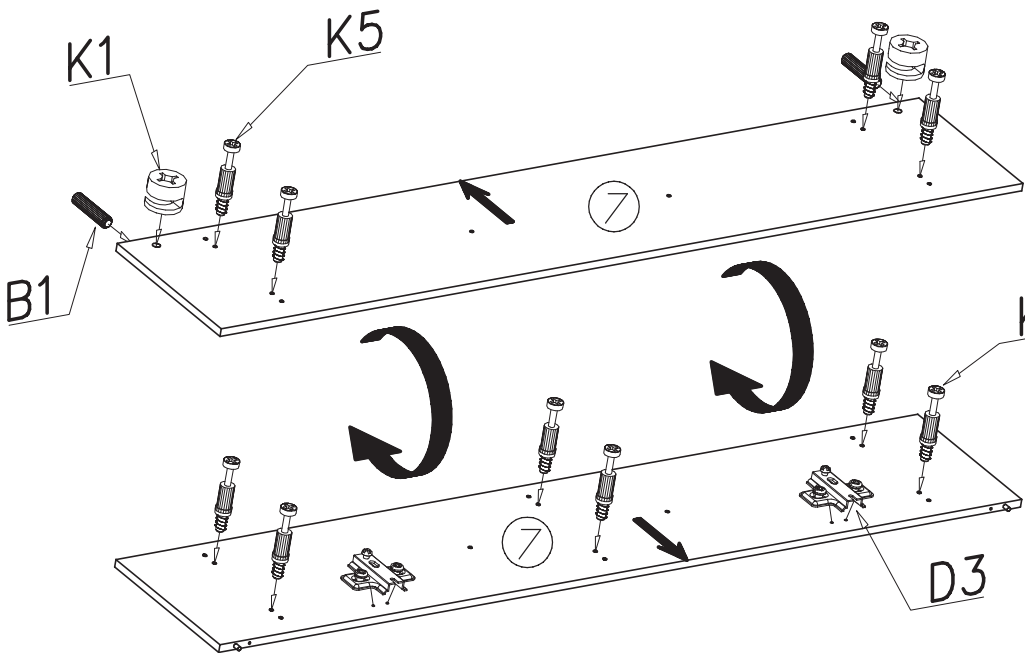
**D3**  H=2 PZ35PR x2

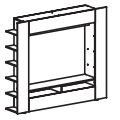




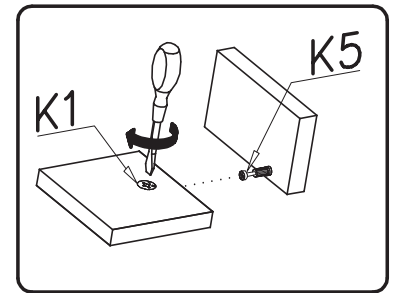
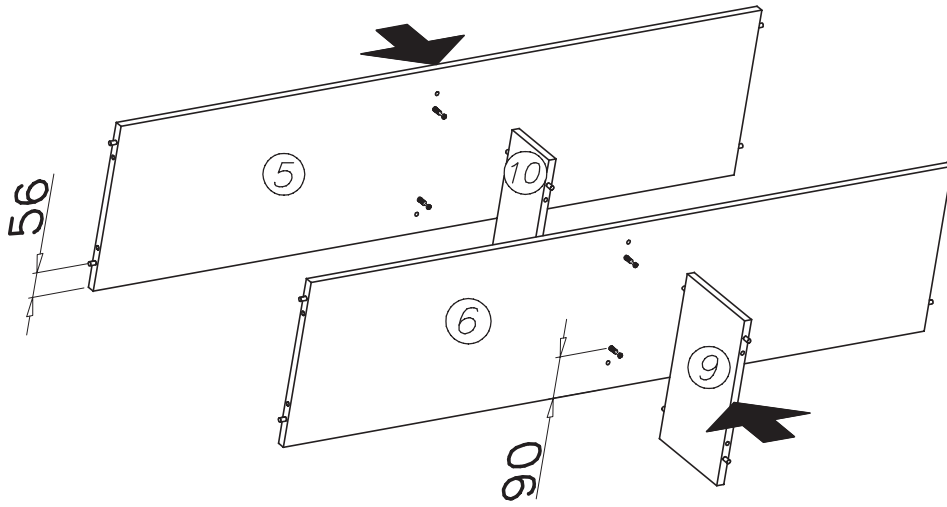
II

|  |   |   |   |
|--|---|---|---|
| <p>B1  <math>\varnothing 8 \times 35</math> x26</p> | <p>K1  <math>\varnothing 15 \times 12</math> x14</p> | <p>K5  x14</p> | <p>D3  H=2 PZ35PR x2</p> |
|--|---|---|---|

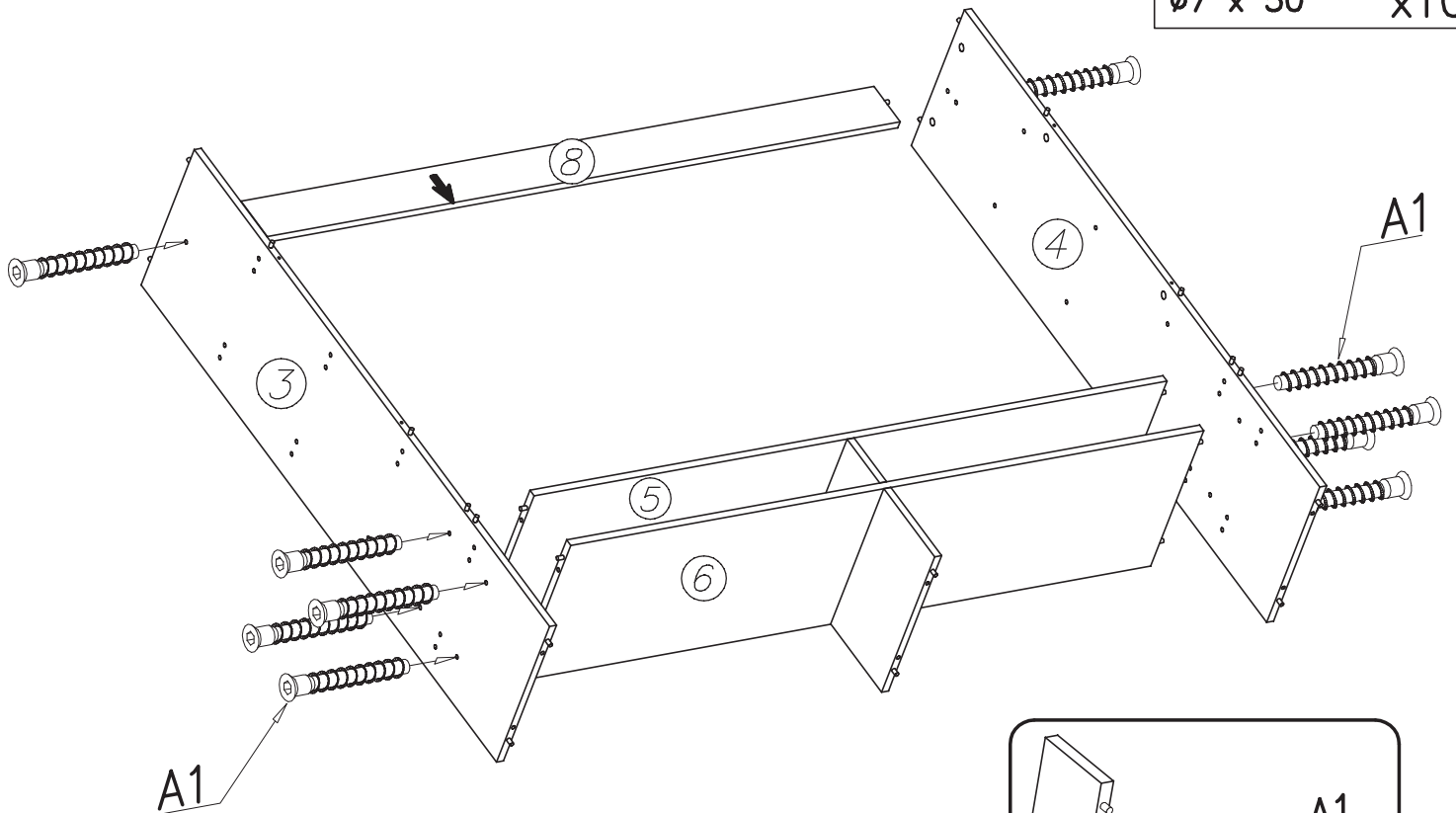




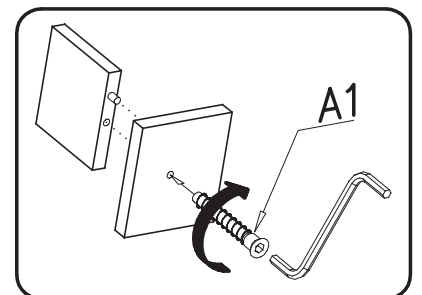
III

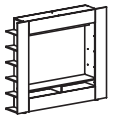


IV



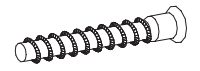
A1  
Ø7 x 50 x10



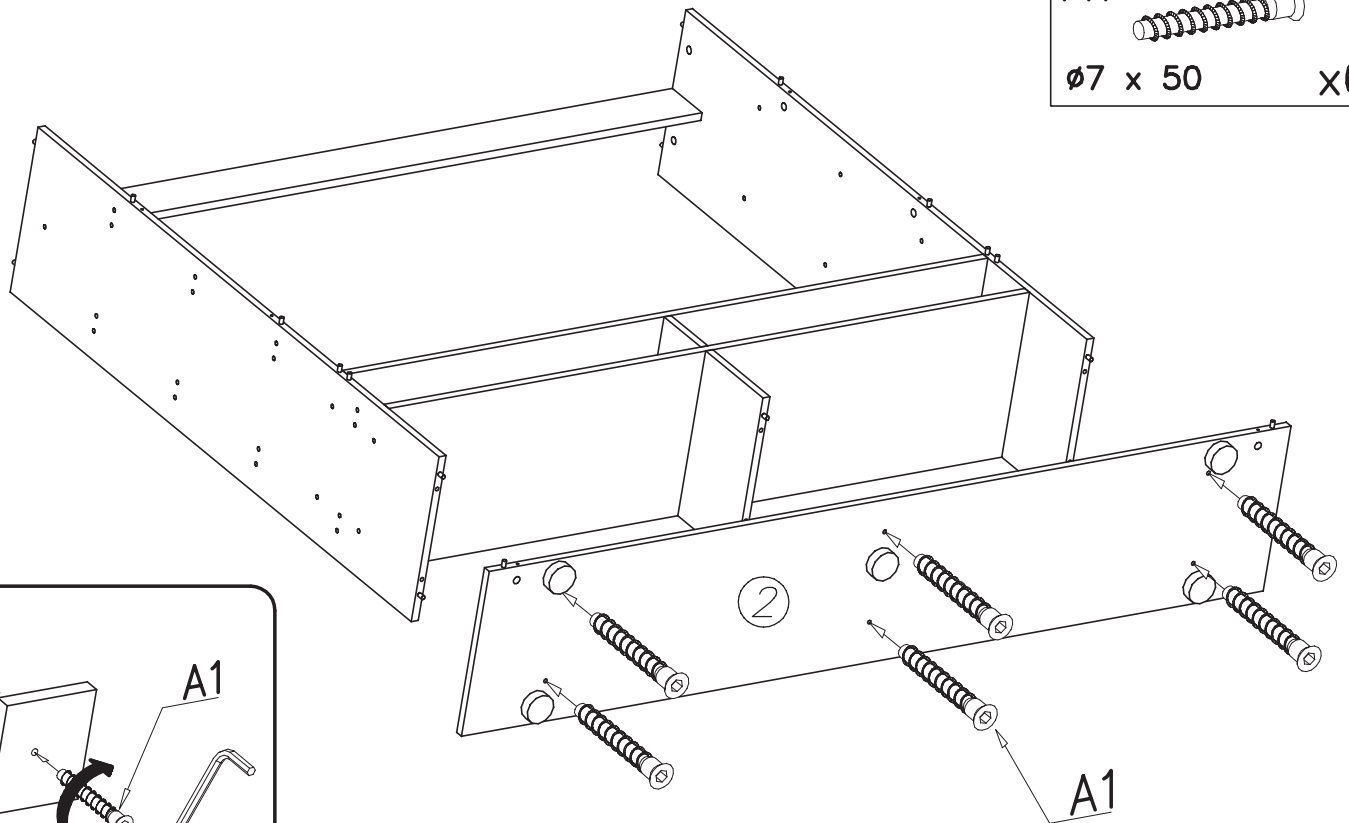
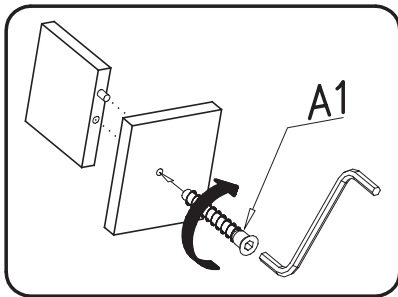


V

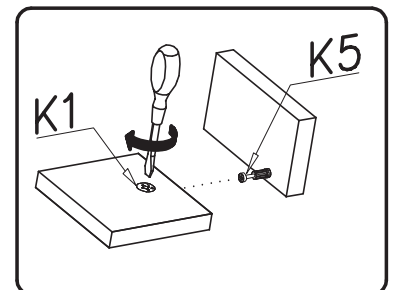
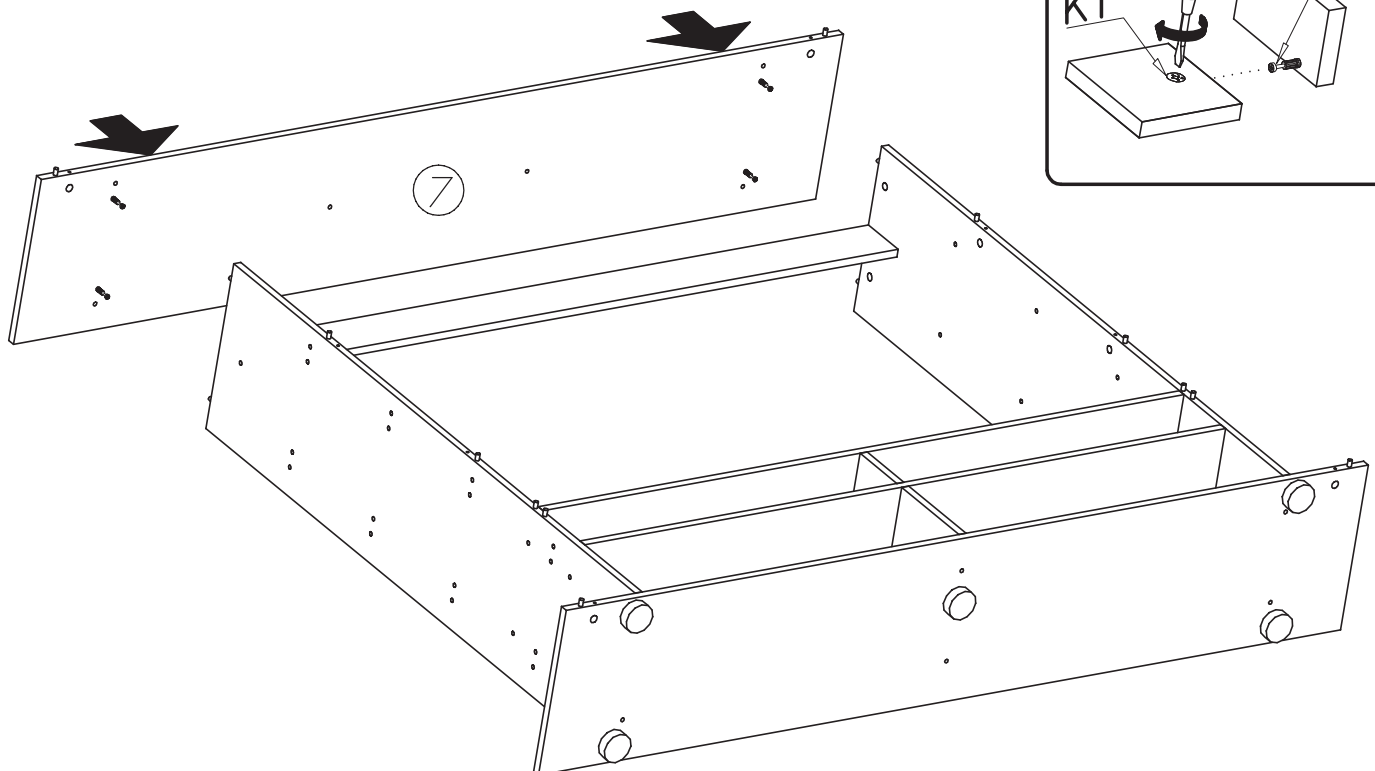
A1

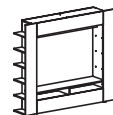
 $\varnothing 7 \times 50$ 

x6

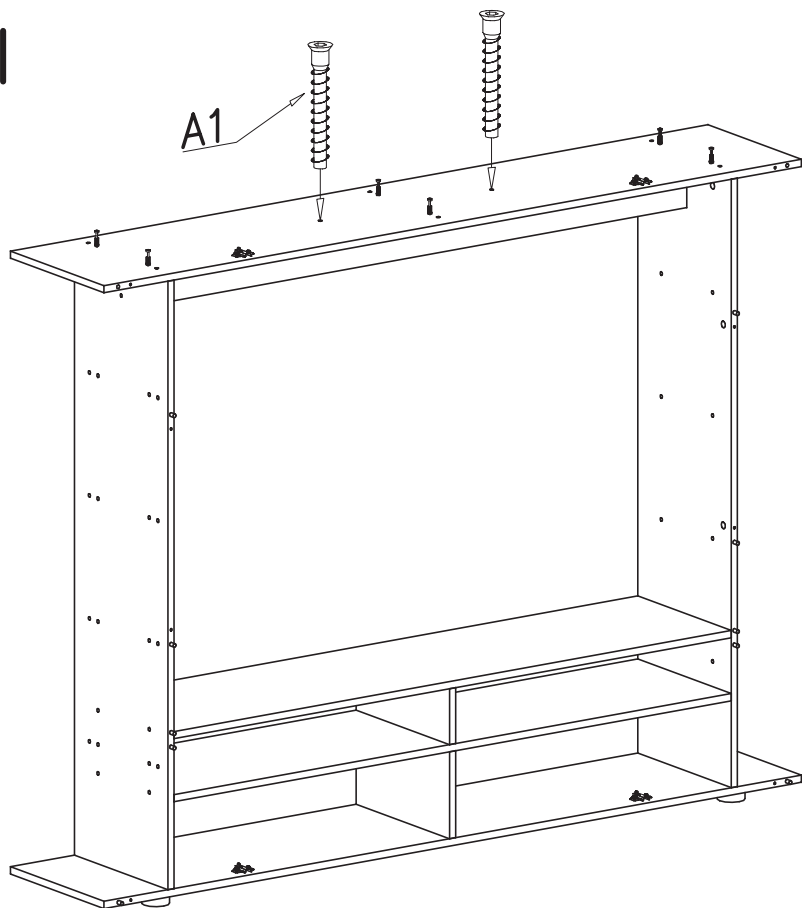


VI

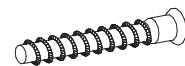




# VII

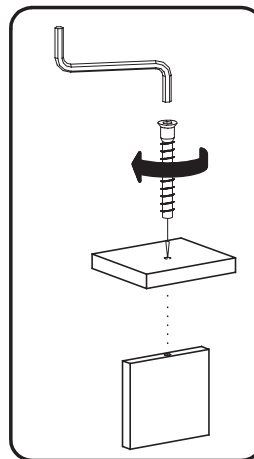


A1

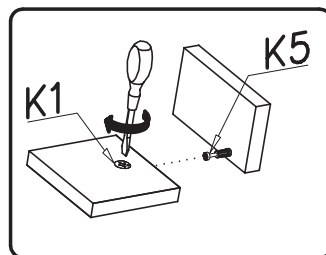
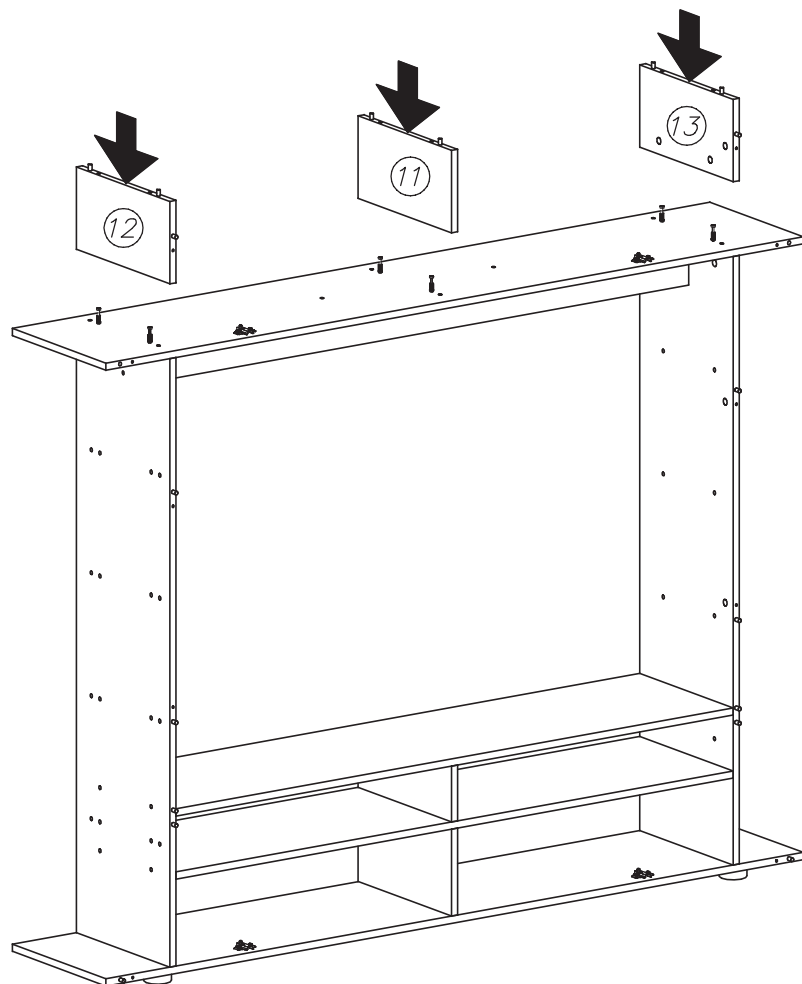


∅7 x 50

x2

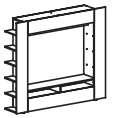


# VIII



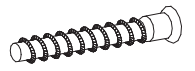
K1

K5



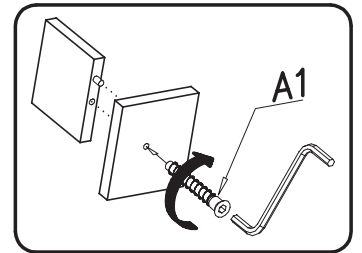
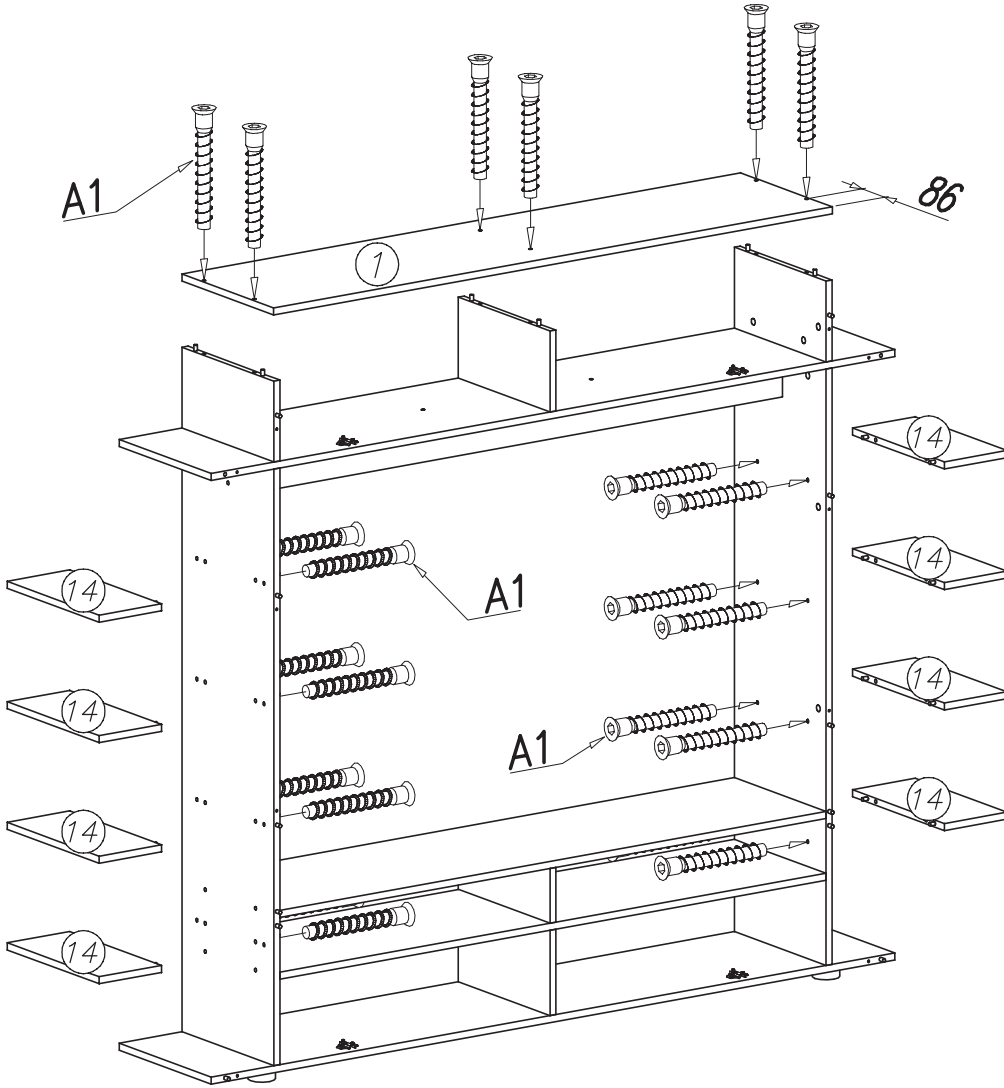
IX

A1

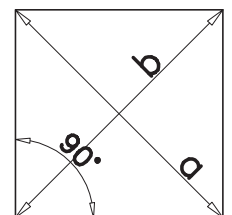
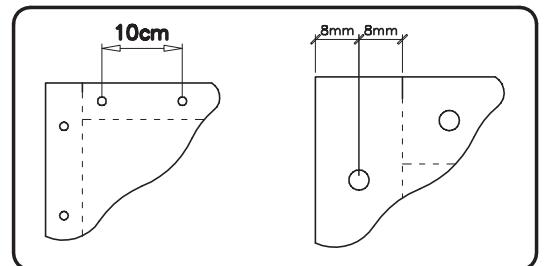
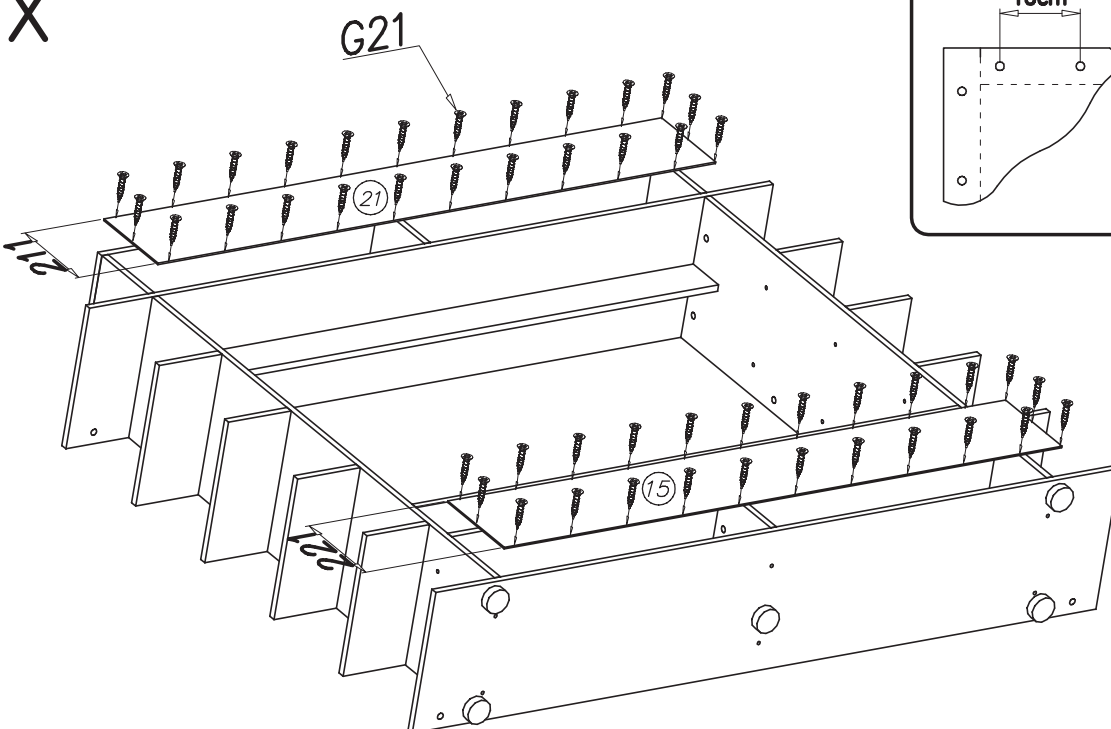


∅7 x 50

x22



X



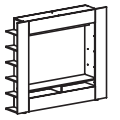
a = b

G21

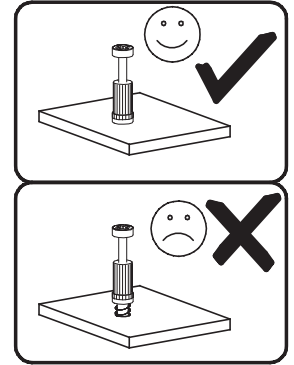
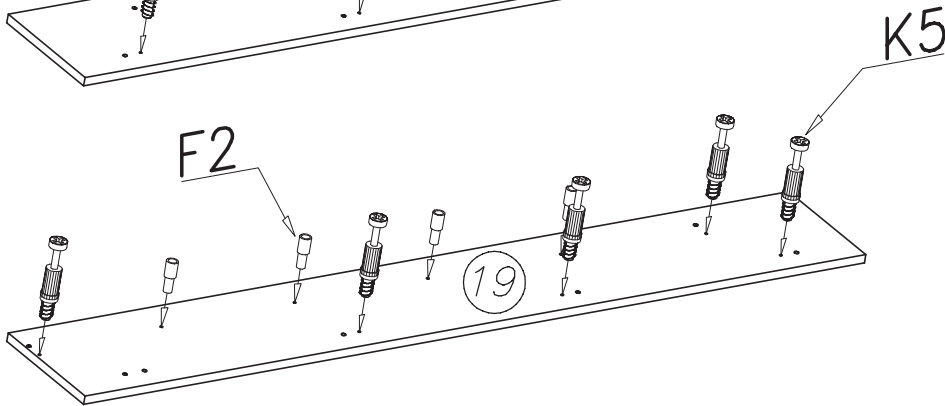
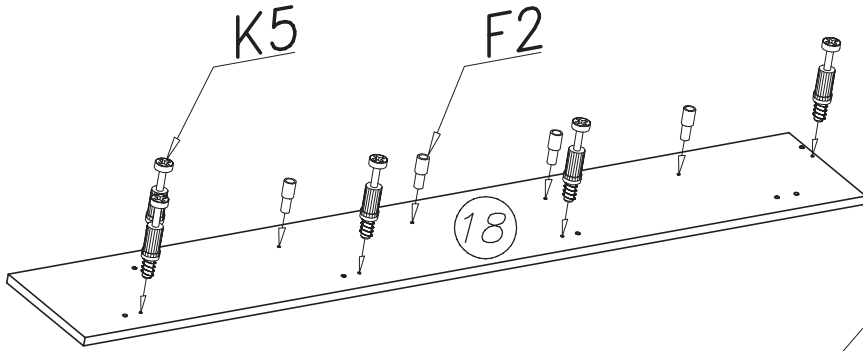
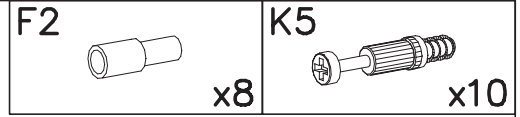


3x16

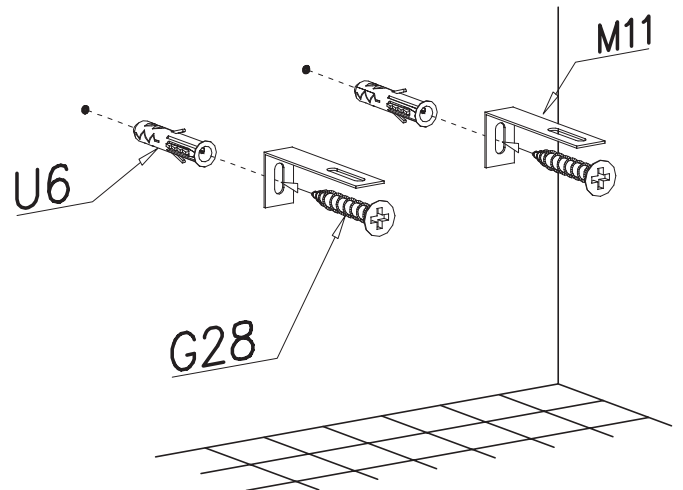
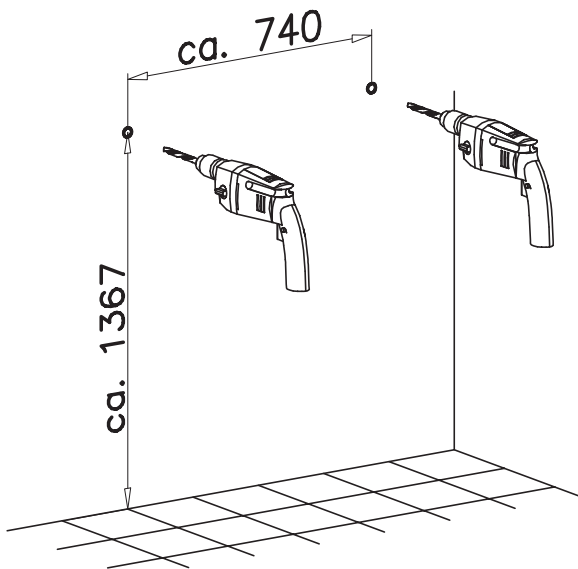
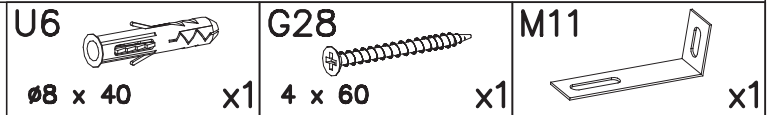
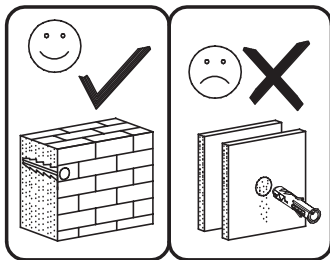
x48



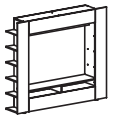
XI




XII

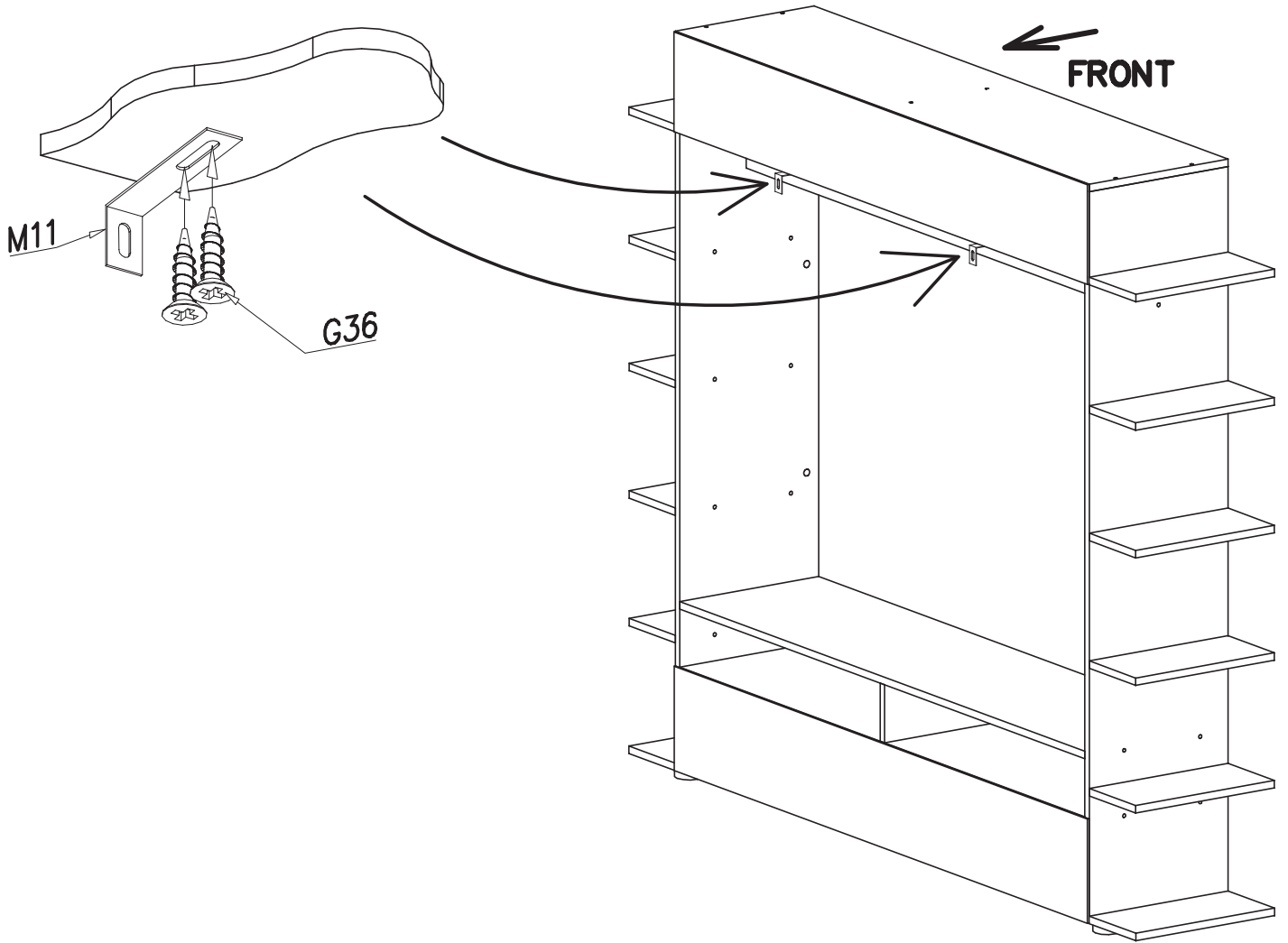







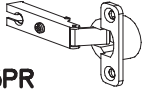
# XIII

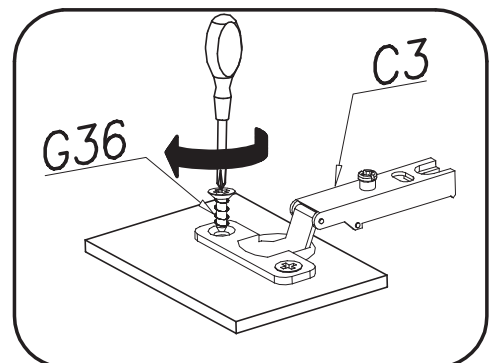
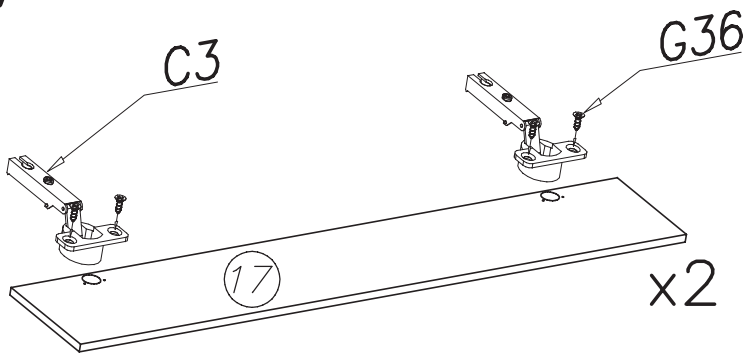
G36   
3,5 x 13 x4

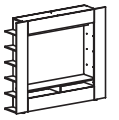


# XIV

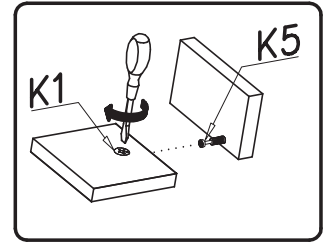
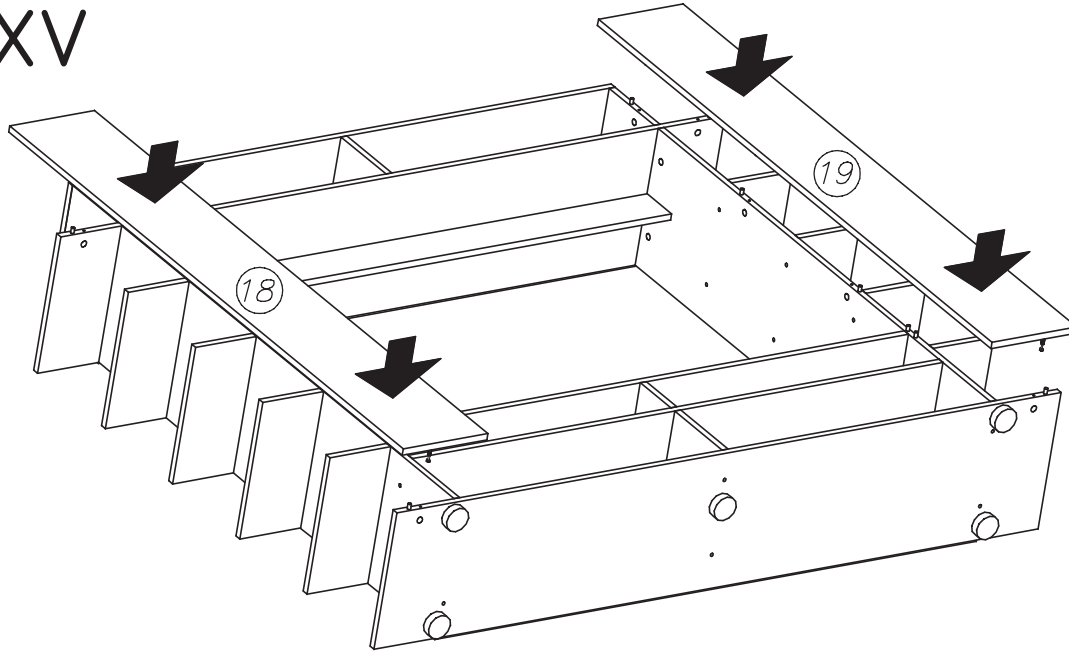
G36   
3,5 x 13 x8

C3   
Z35PR x4

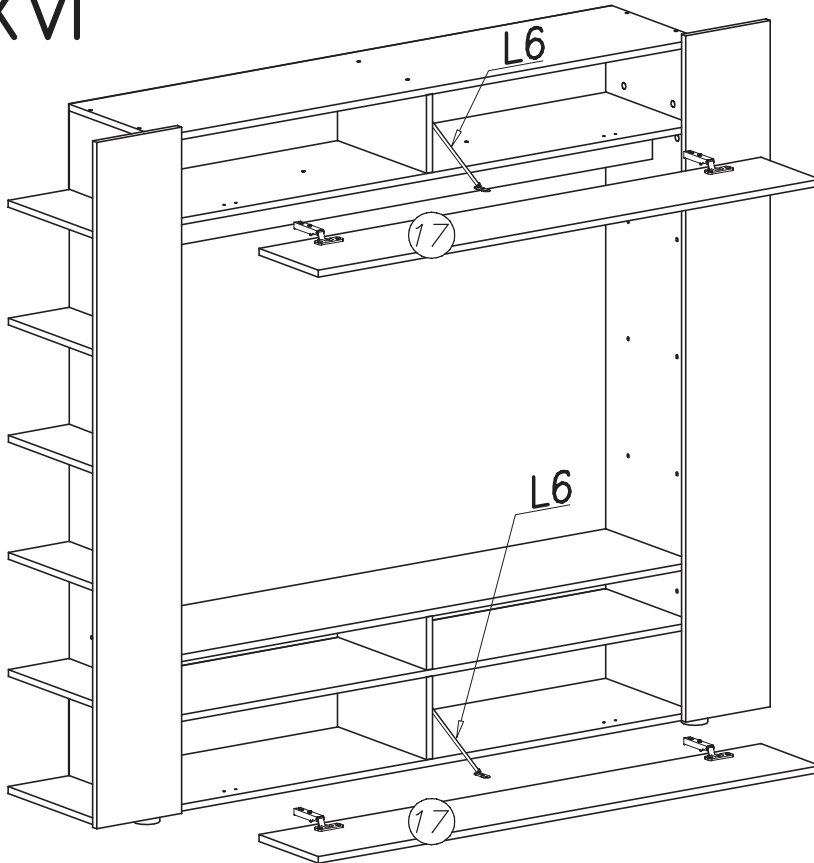




# XV



# XVI



- G21 3 x 16 x6
- G36 3,5 x 13 x6

