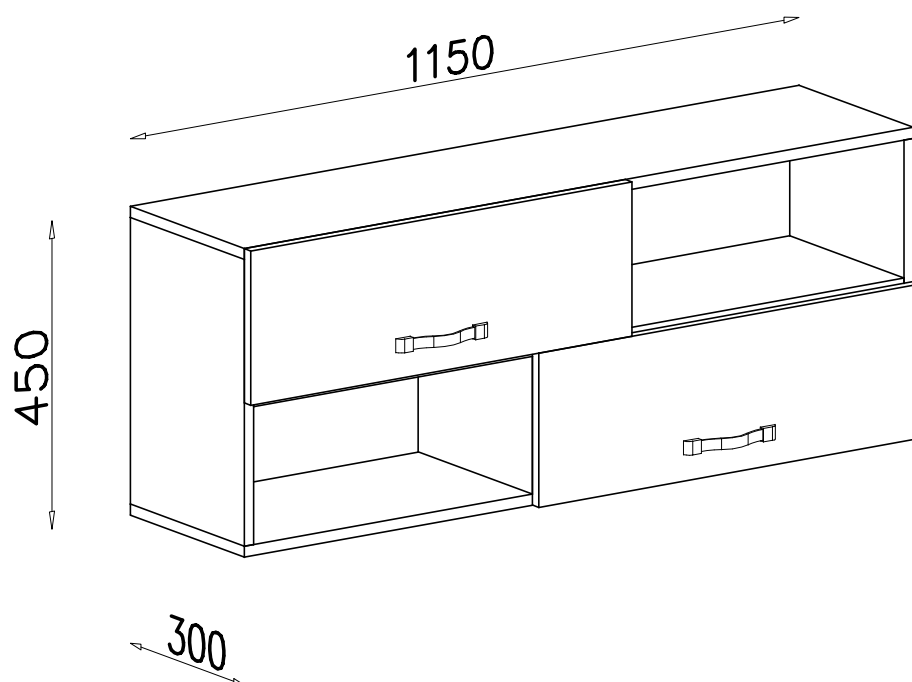
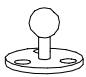
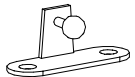
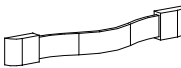
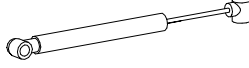
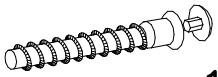
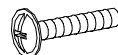


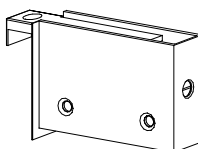

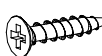
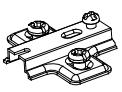

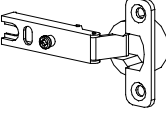
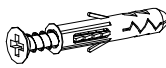
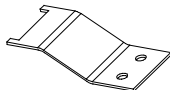





system  
**KOMI**

**KM 12**



R  x2	S  x2	L  x2	P  80N x2	A  x10
J  M4 x 20 x4	I  3,5 x 16 x10	T  4 x 30 x4	N  x2	F  4 x 16 x8
E  3 x 20 x45	C  x4	H  x10		D  x4
G  x4	K  x2	B  x20	Y  KLEJ x1	Z  x1