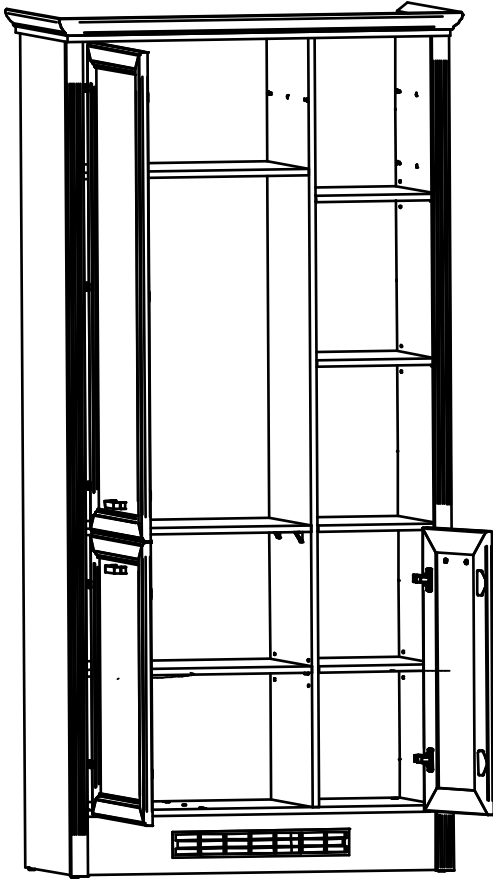
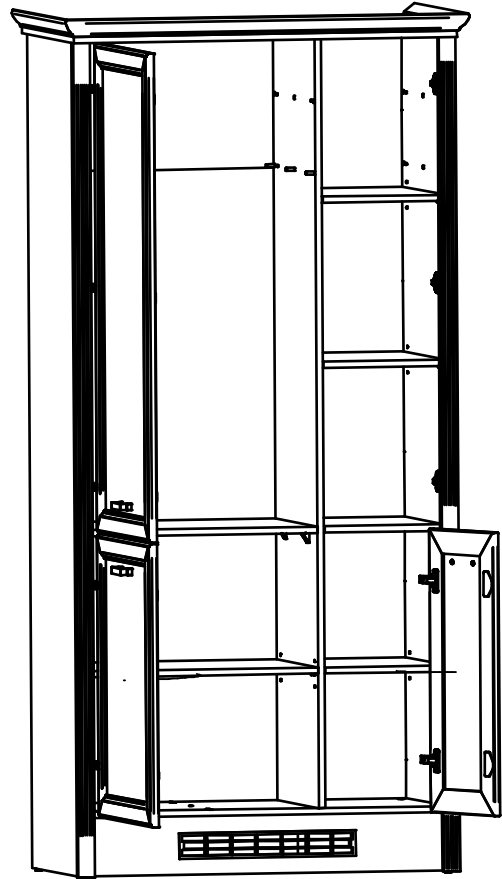


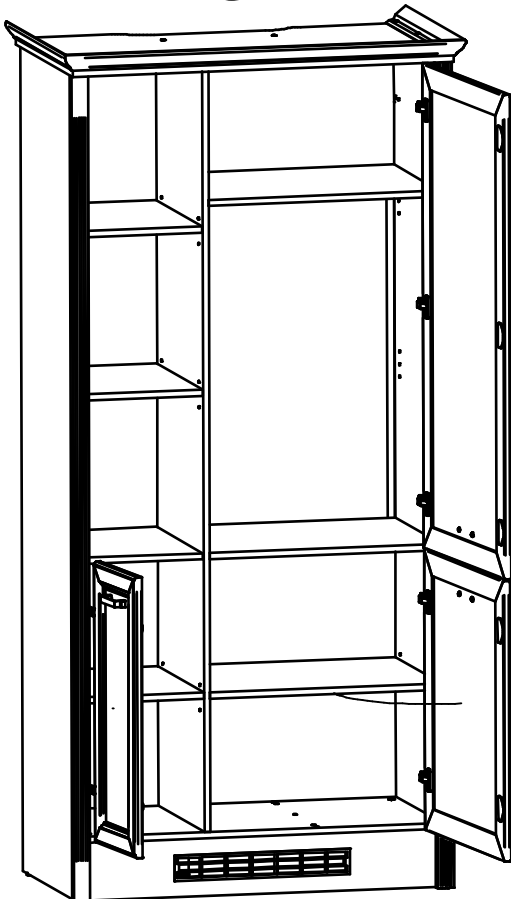
A



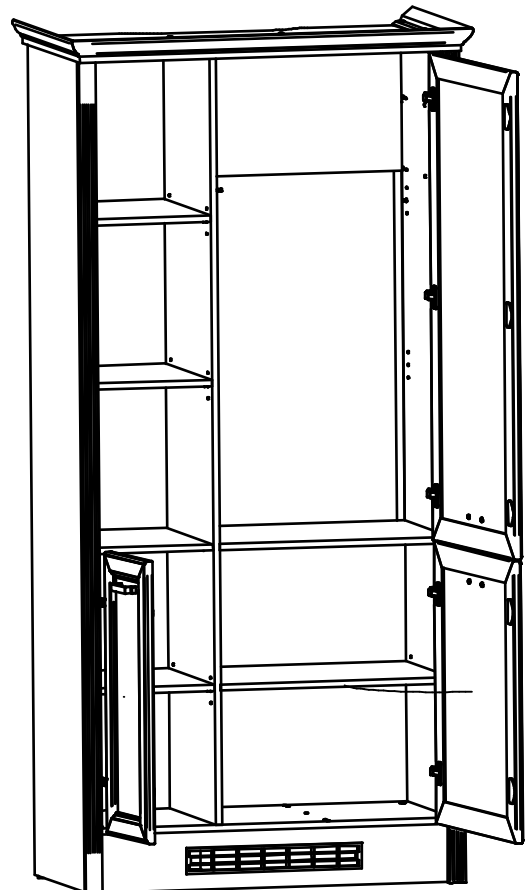
B



C



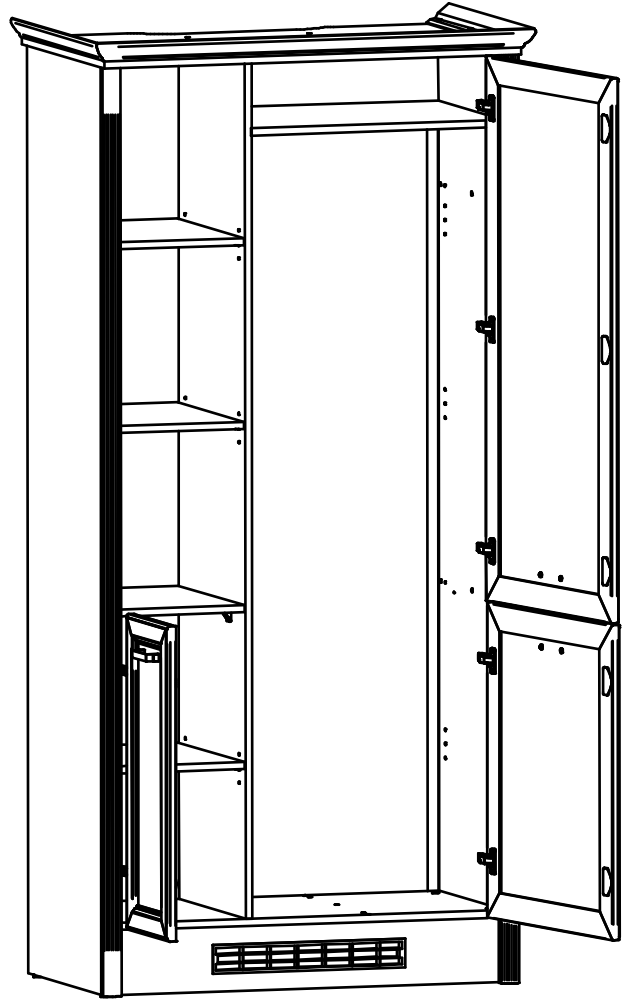
D



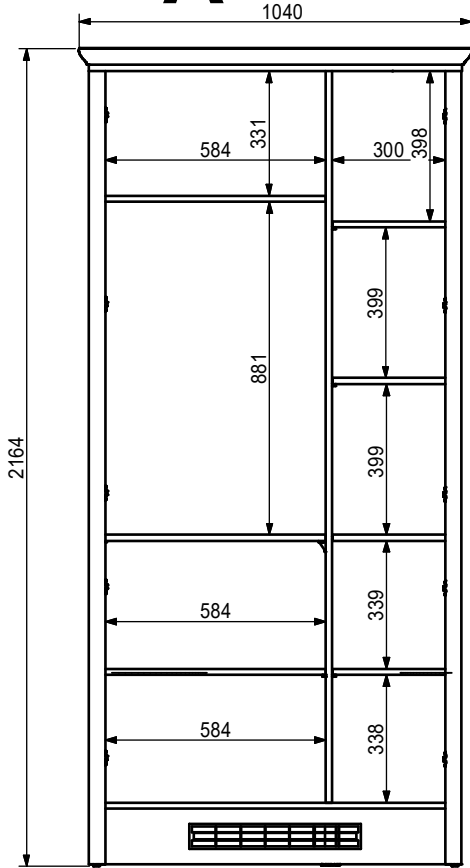
E



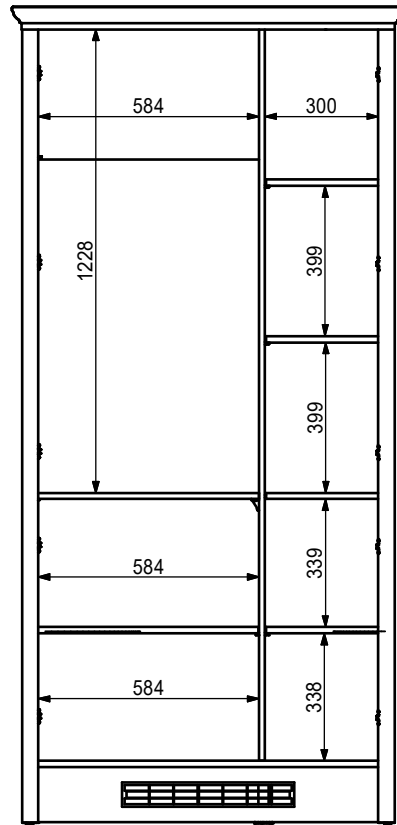
F



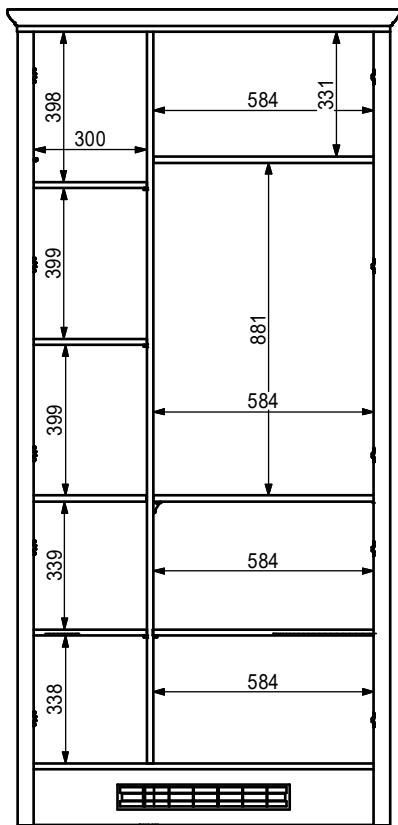
A



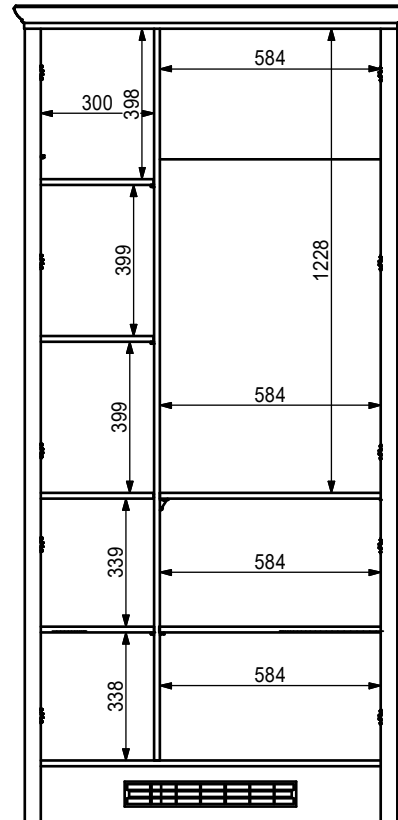
B



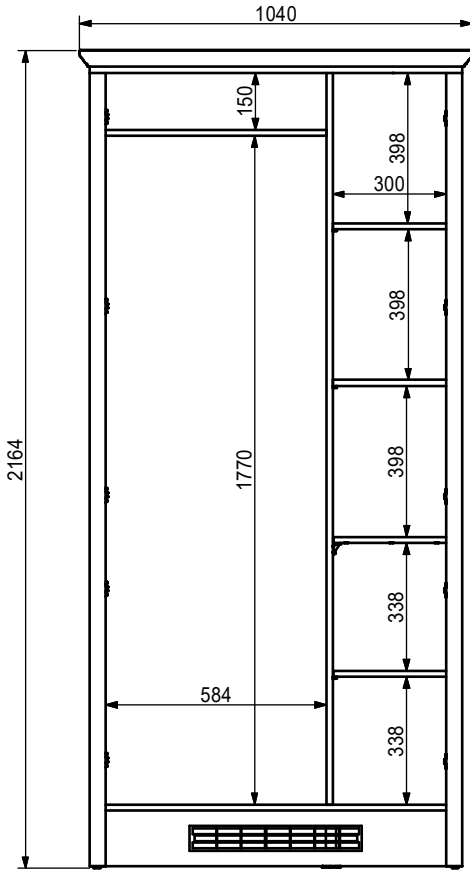
C



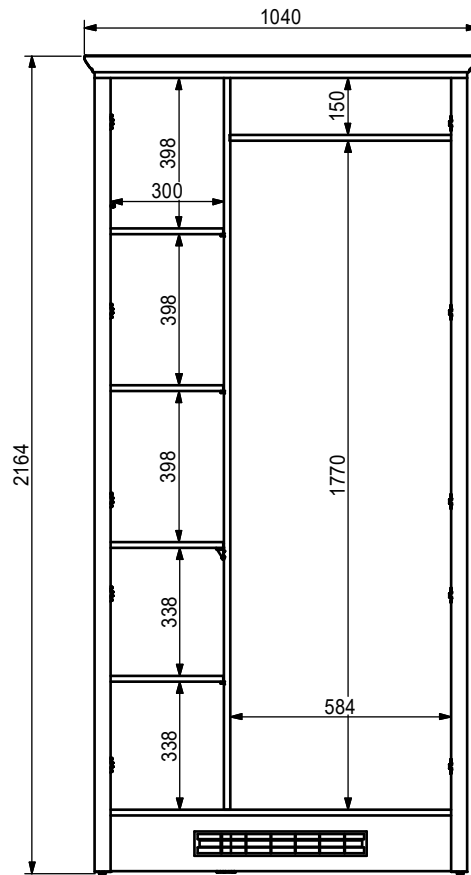
D



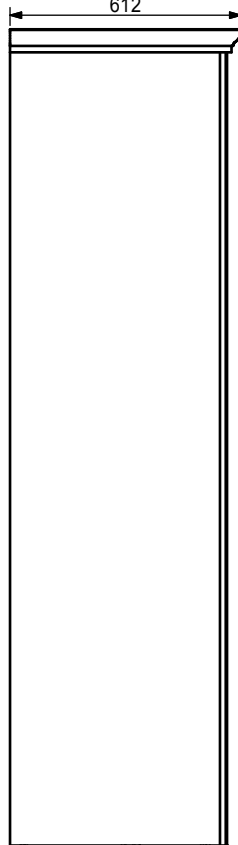
E



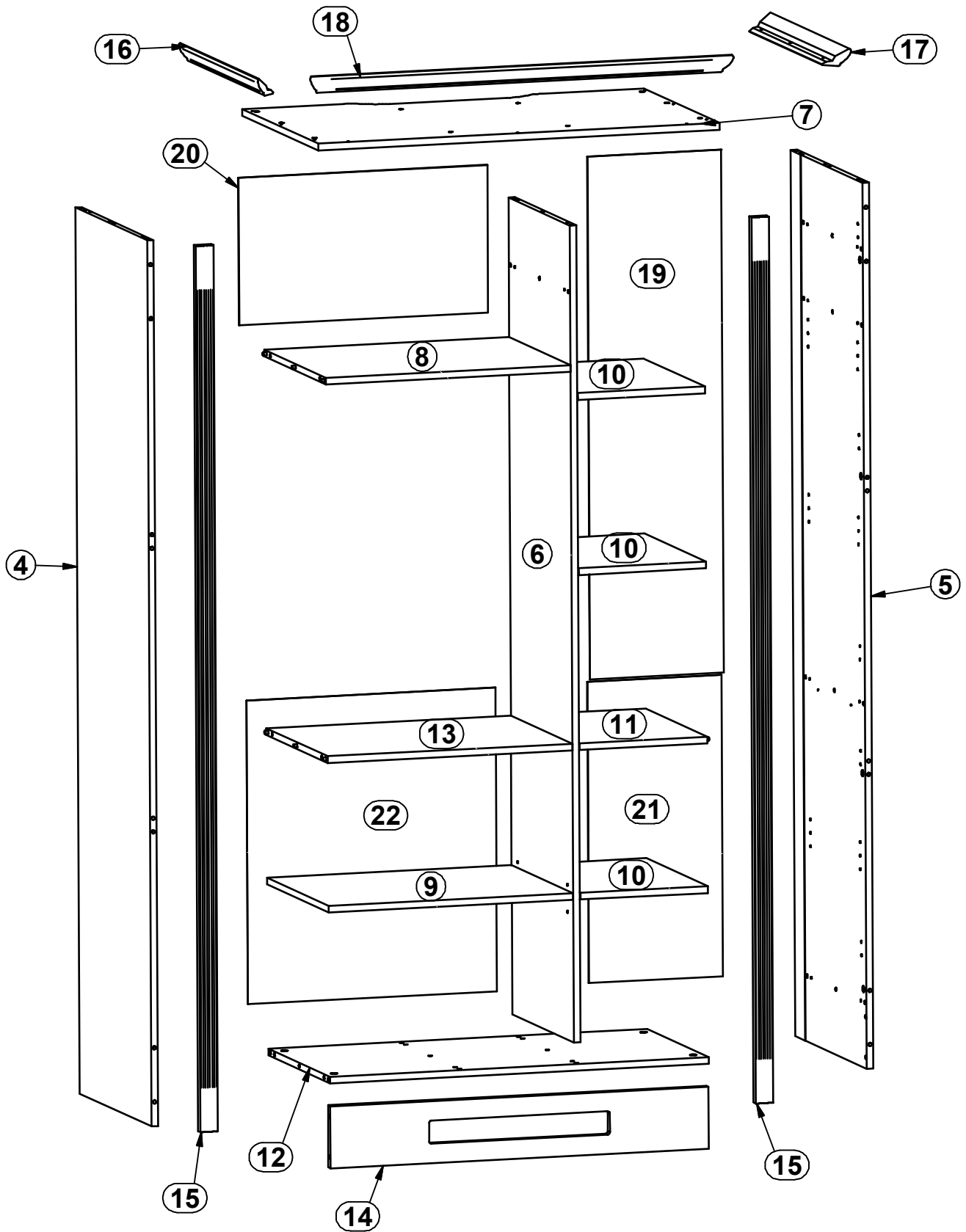
F



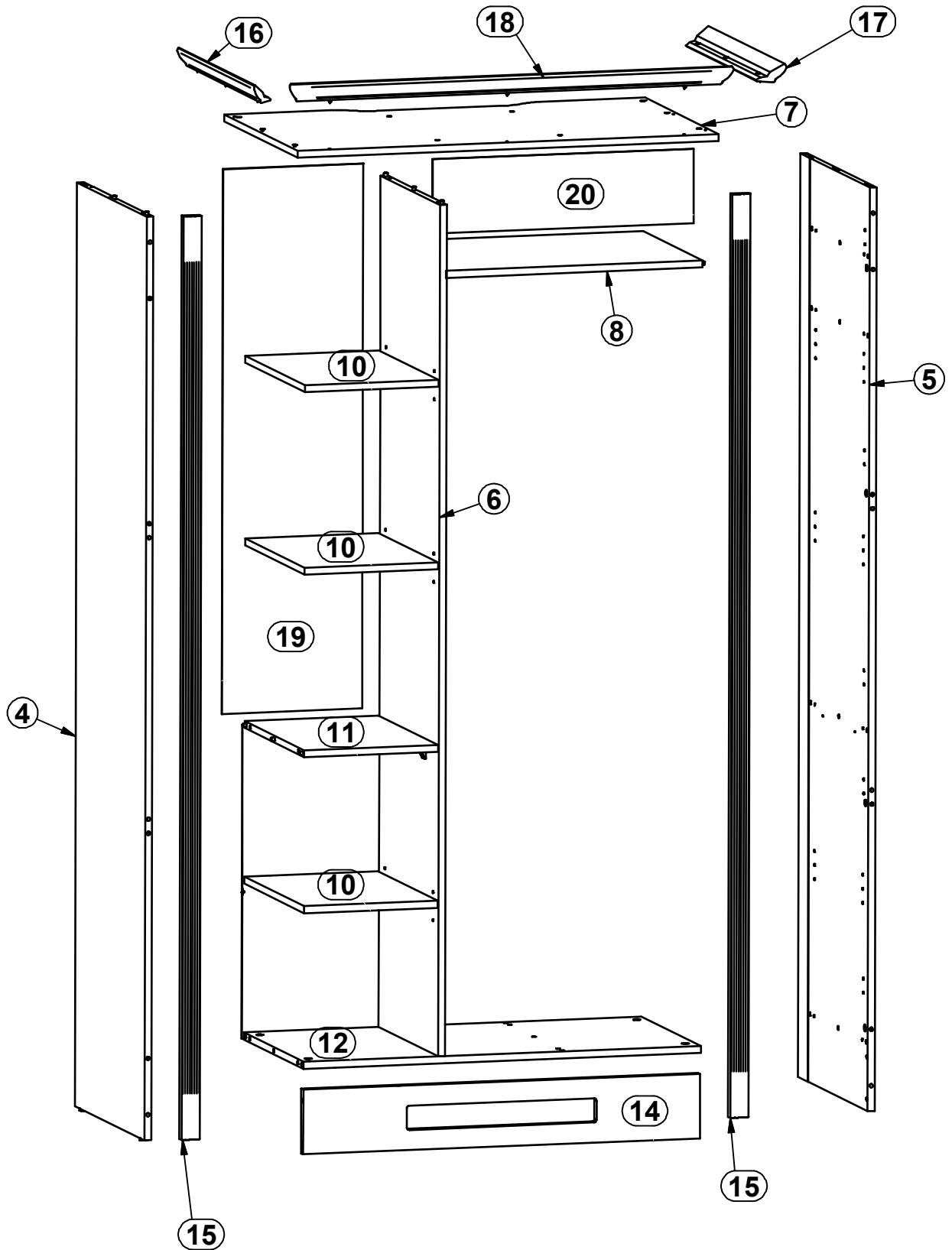
612



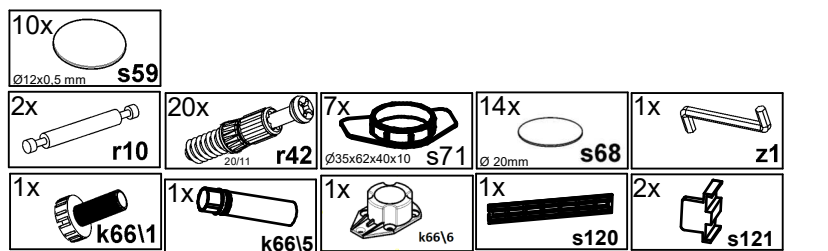
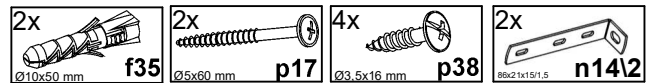
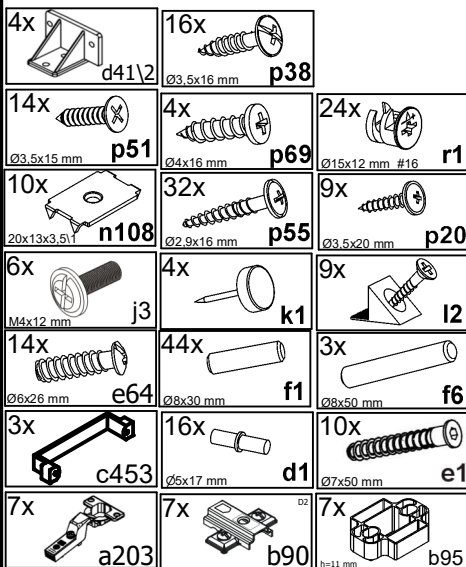
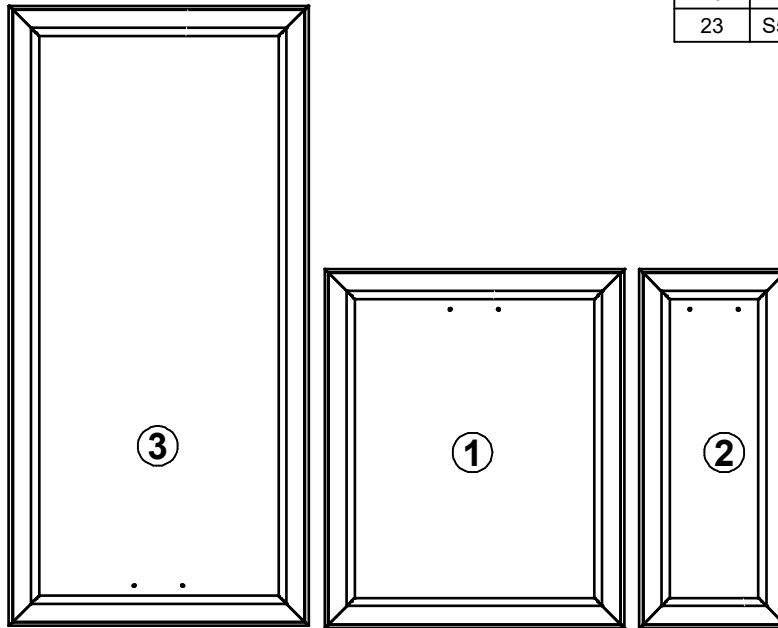
ABCD



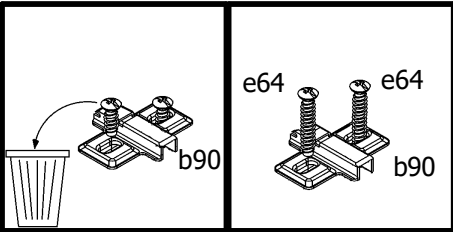
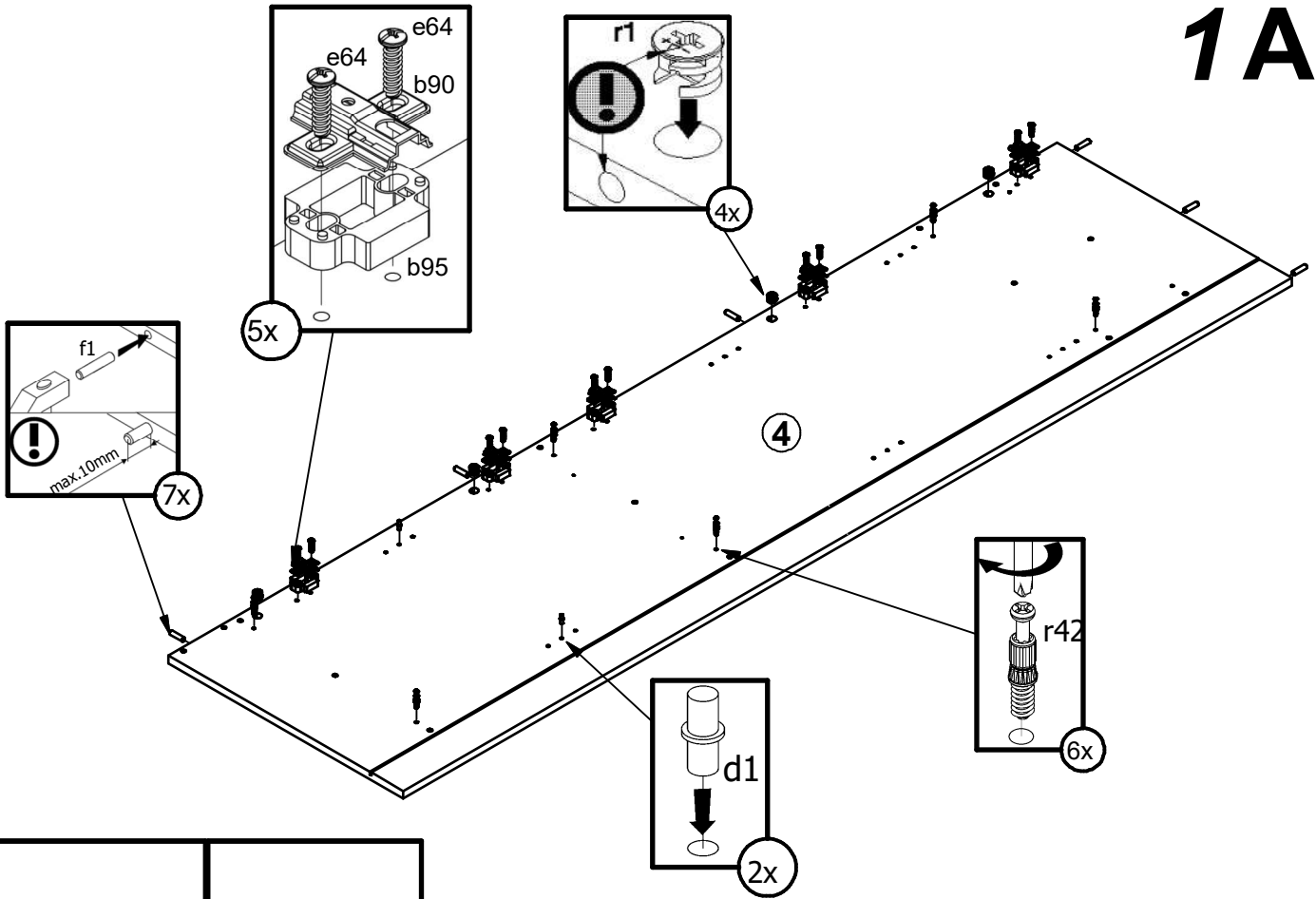
EF



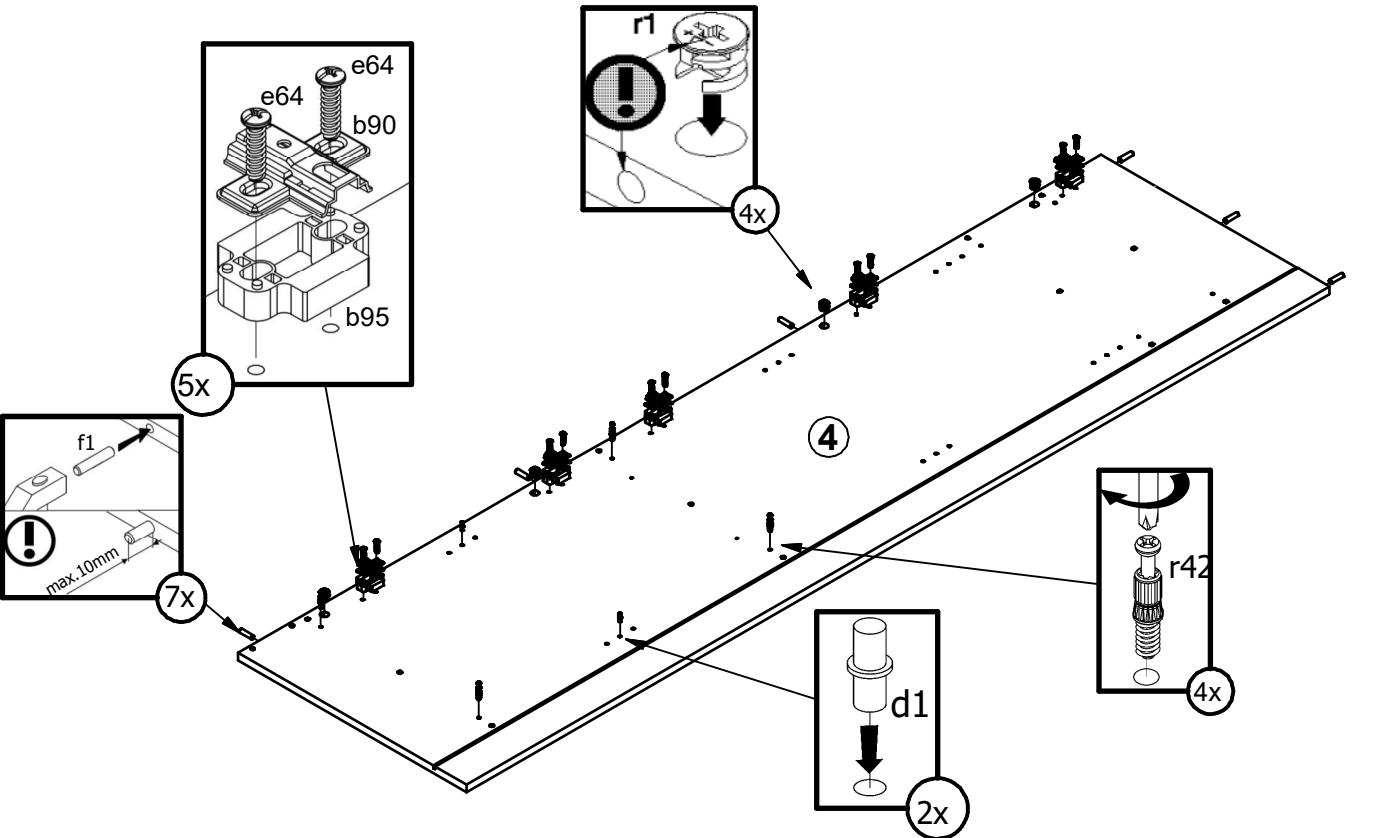
A	B	C1	C2	C3	D
1	S538-0003	713	595	22	113
2	S538-0009	713	296	22	113
3	S538-0010	1231	595	22	113
4	S538-1013	2100	555	16	213
5	S538-1014	2100	555	16	213
6	S538-1015	1936	475	16	313
7	S538-2006	988	586	16	113
8	S538-3011	602	475	16	313
9	S538-3012	601	475	16	113
10	S538-3013	313	475	16	313
11	S538-3014	314	475	16	313
12	S538-3015	932	475	16	313
13	S538-3020	602	475	16	313
14	S538-4005	931	147	16	113
15	S538-5005	2100	43	19	213
16	S538-5807	612	67	22	113
17	S538-5808	612	67	22	113
18	S538-5809	1041	67	22	113
19	S538-9006	1239	329	2,5	213
21	S538-9008	714	329	2,5	213
22	S538-9009	720	612	2,5	113
20	S538-9011	350	612	2,5	113
23	S538-9012	612	169	2,5	113



1 A



1 B



A

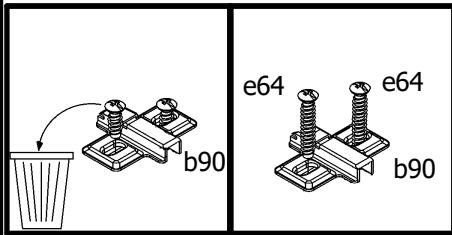
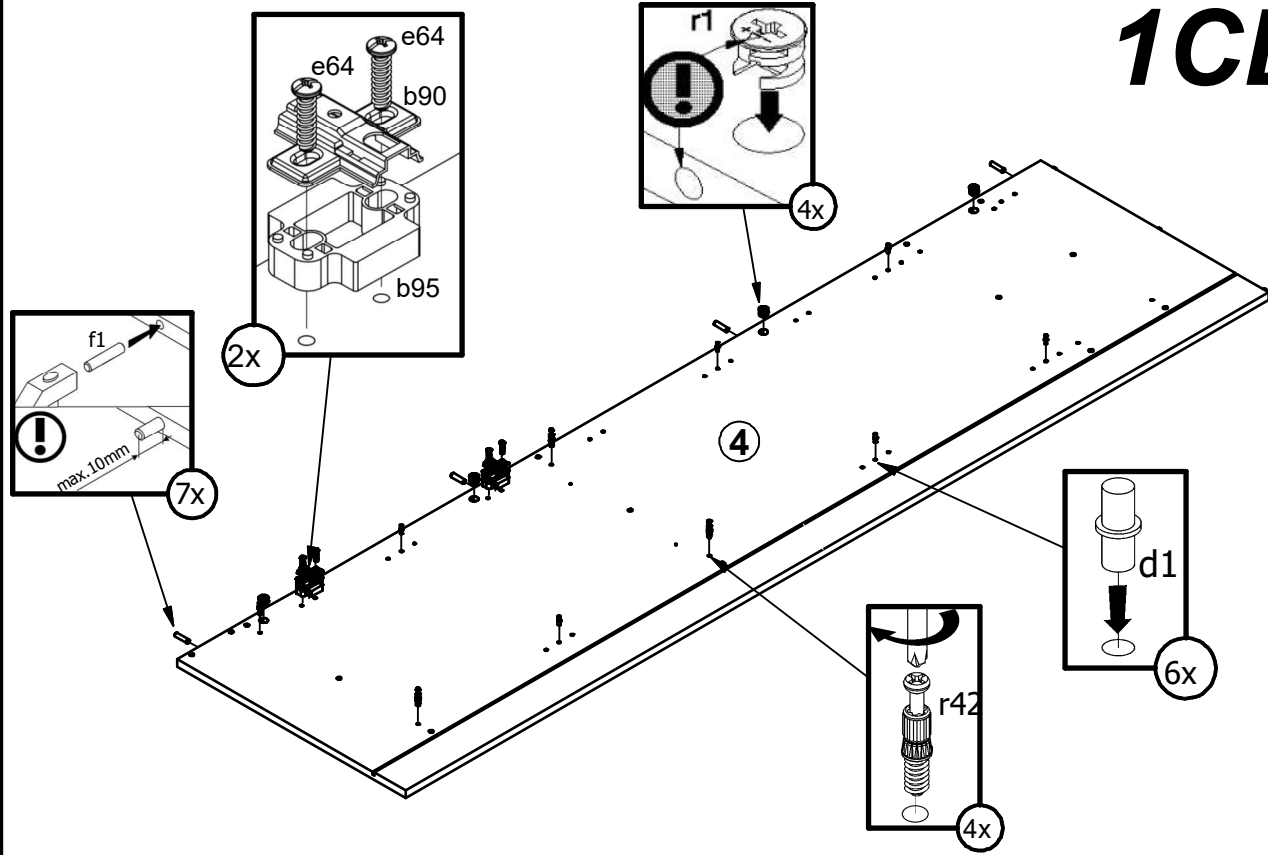
S538-REG3D

73-880---

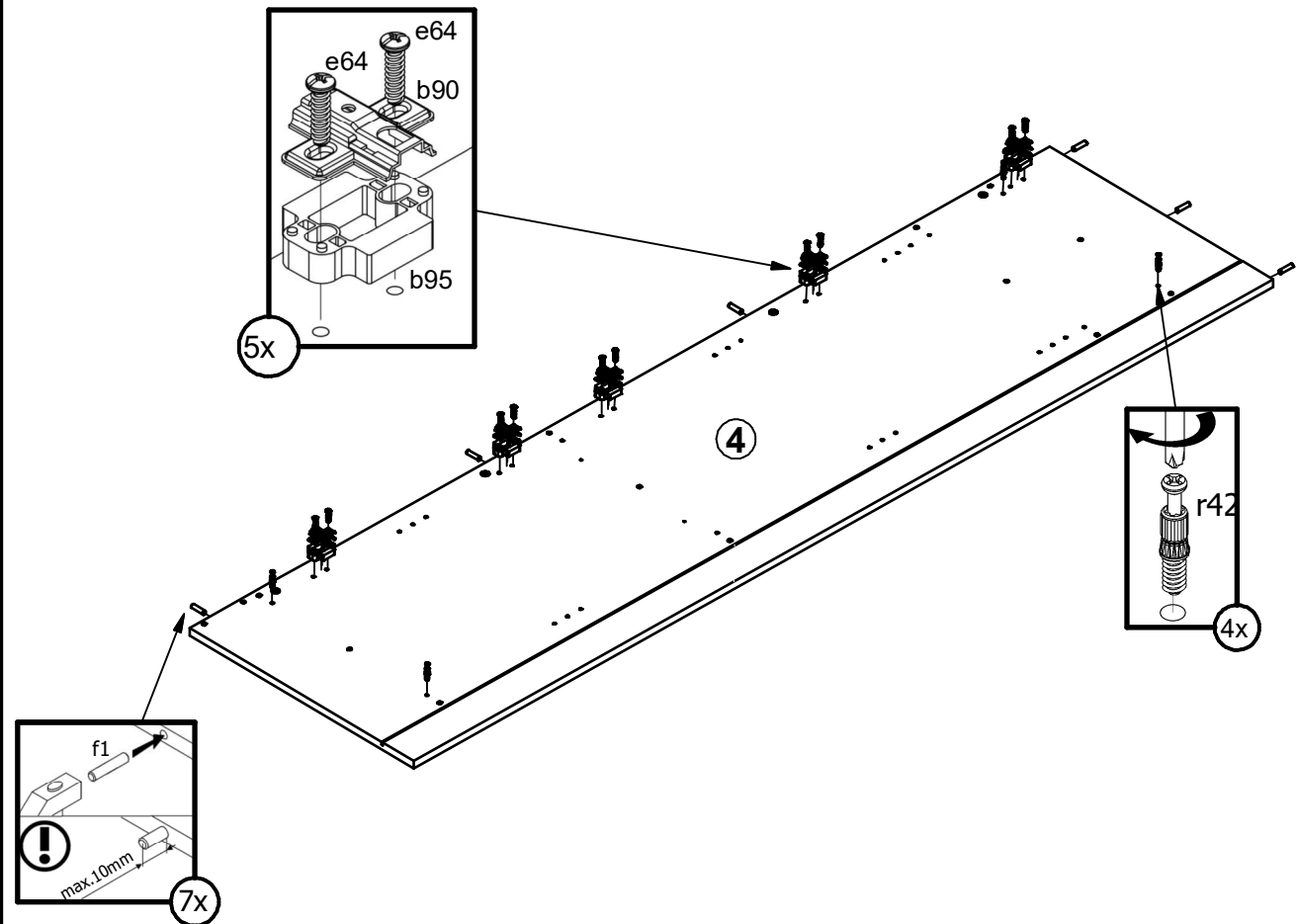
84-882---

10 / 38

1CDF



1E



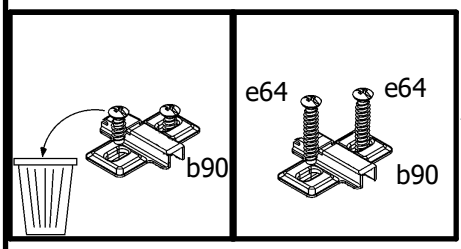
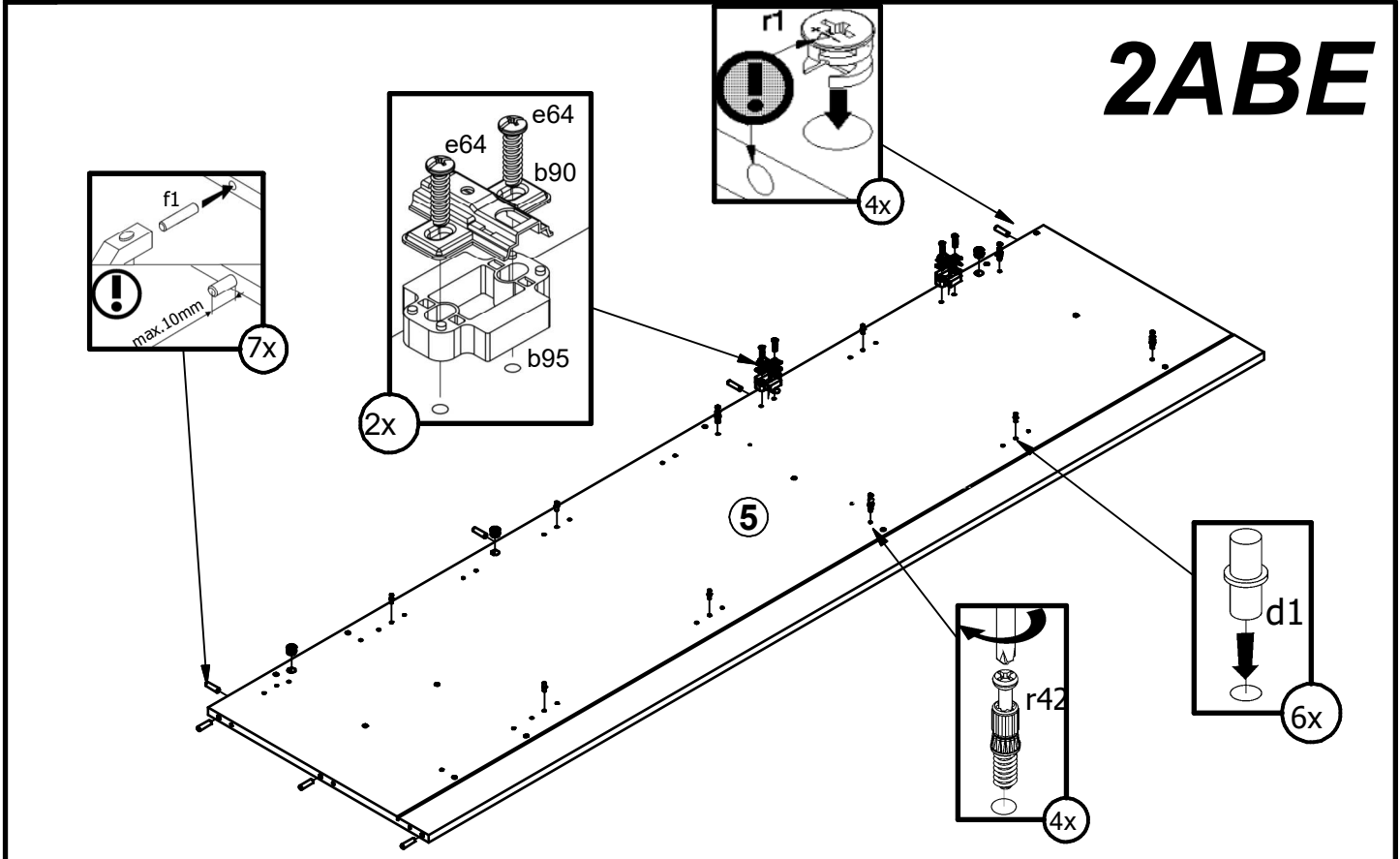
A

S538-REG3D

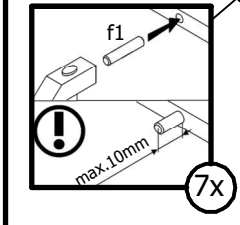
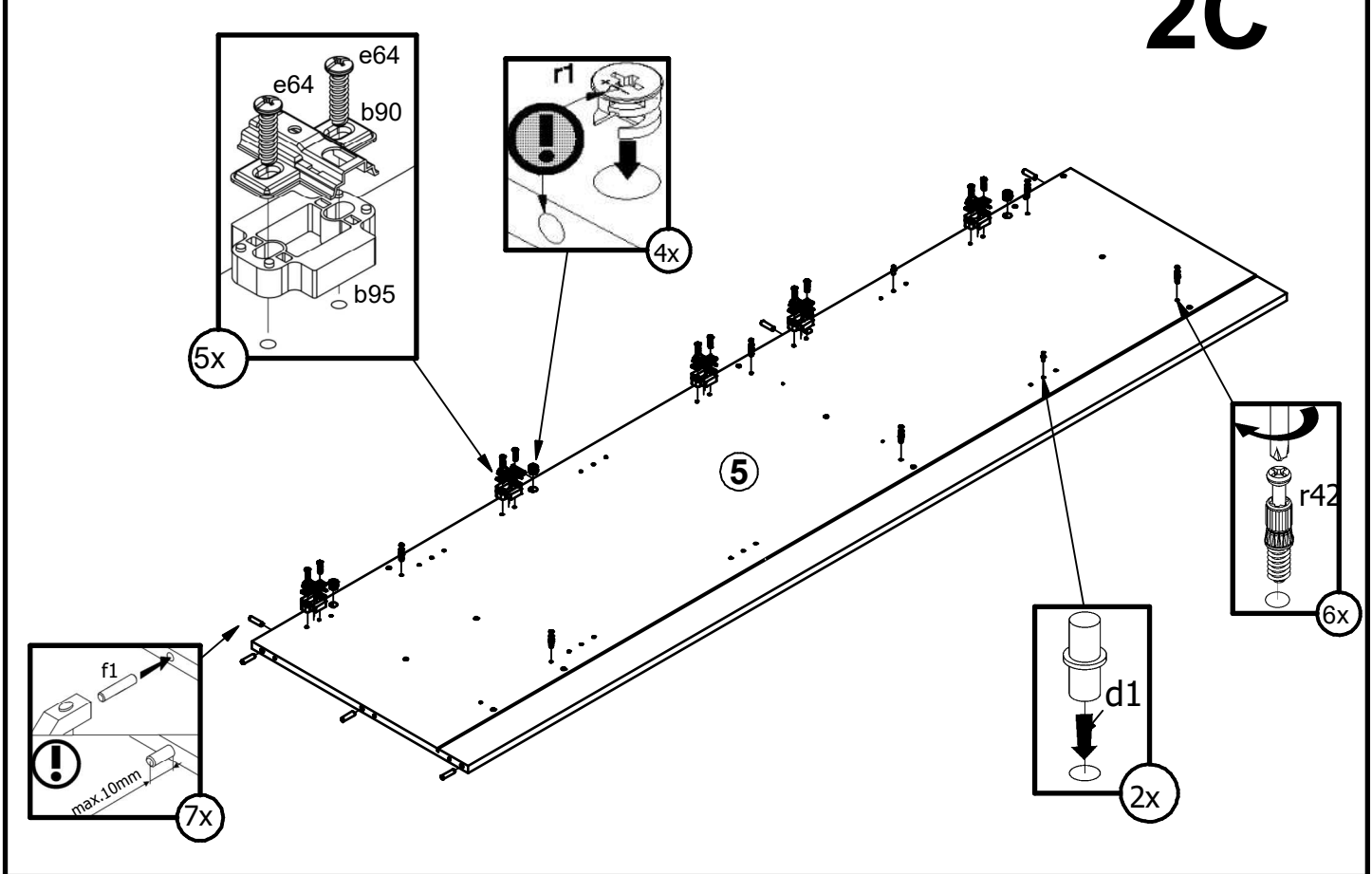
73-880--- 84-882---

11 / 38

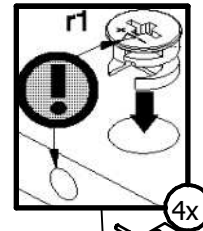
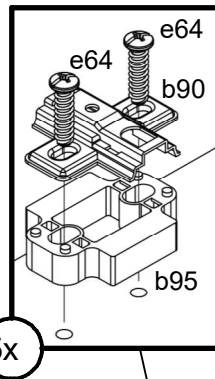
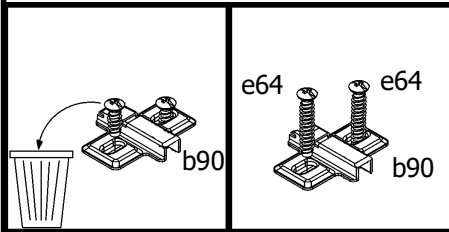
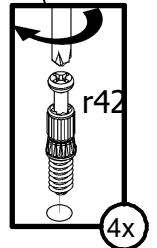
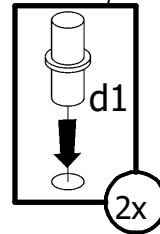
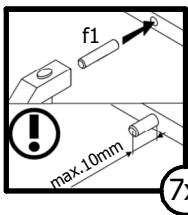
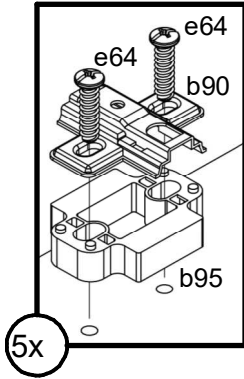
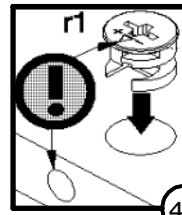
2ABE



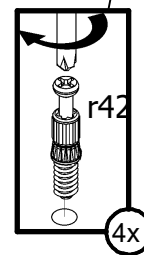
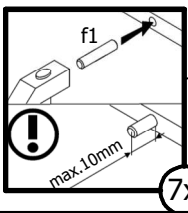
2C



2D



2F

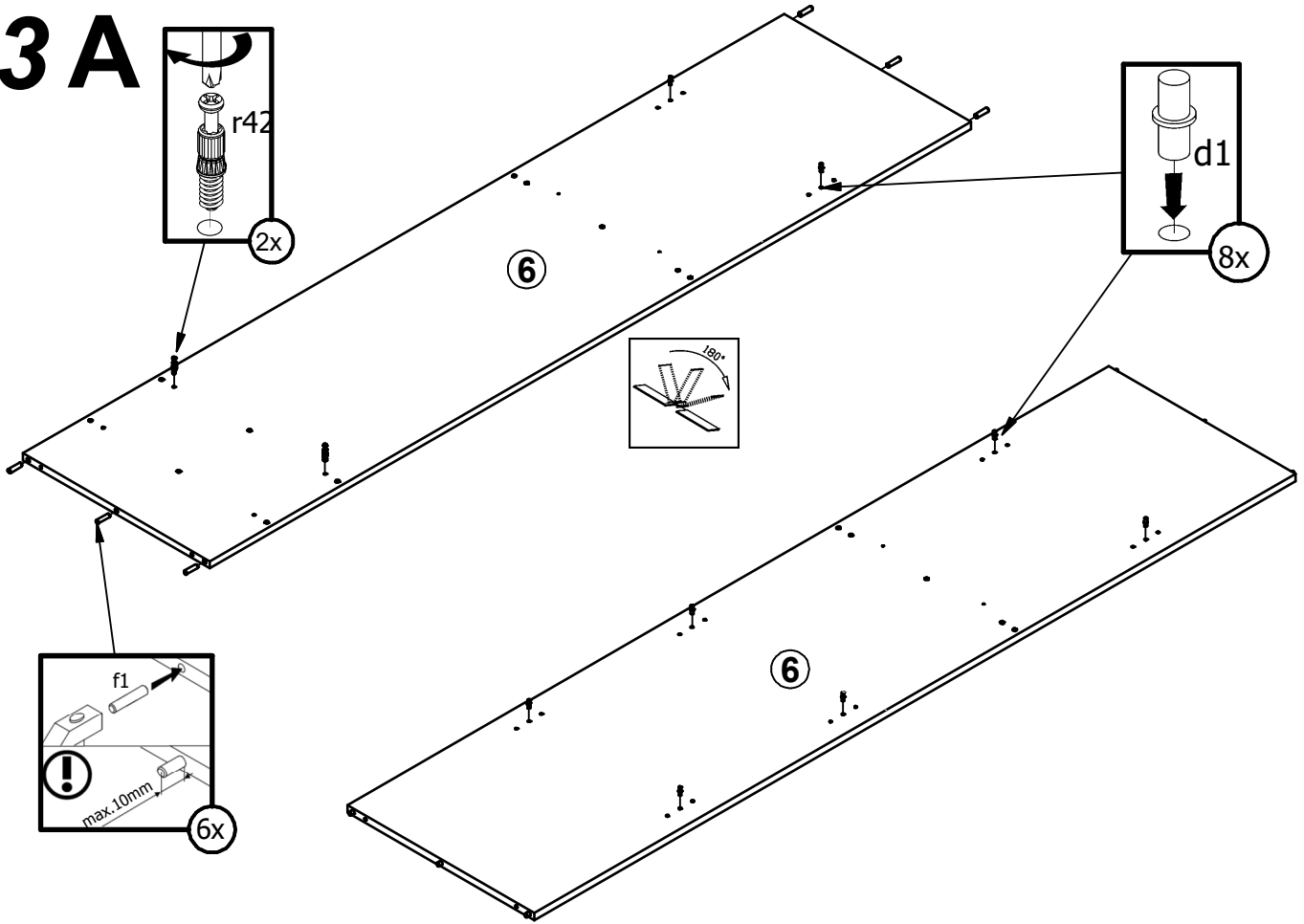


A

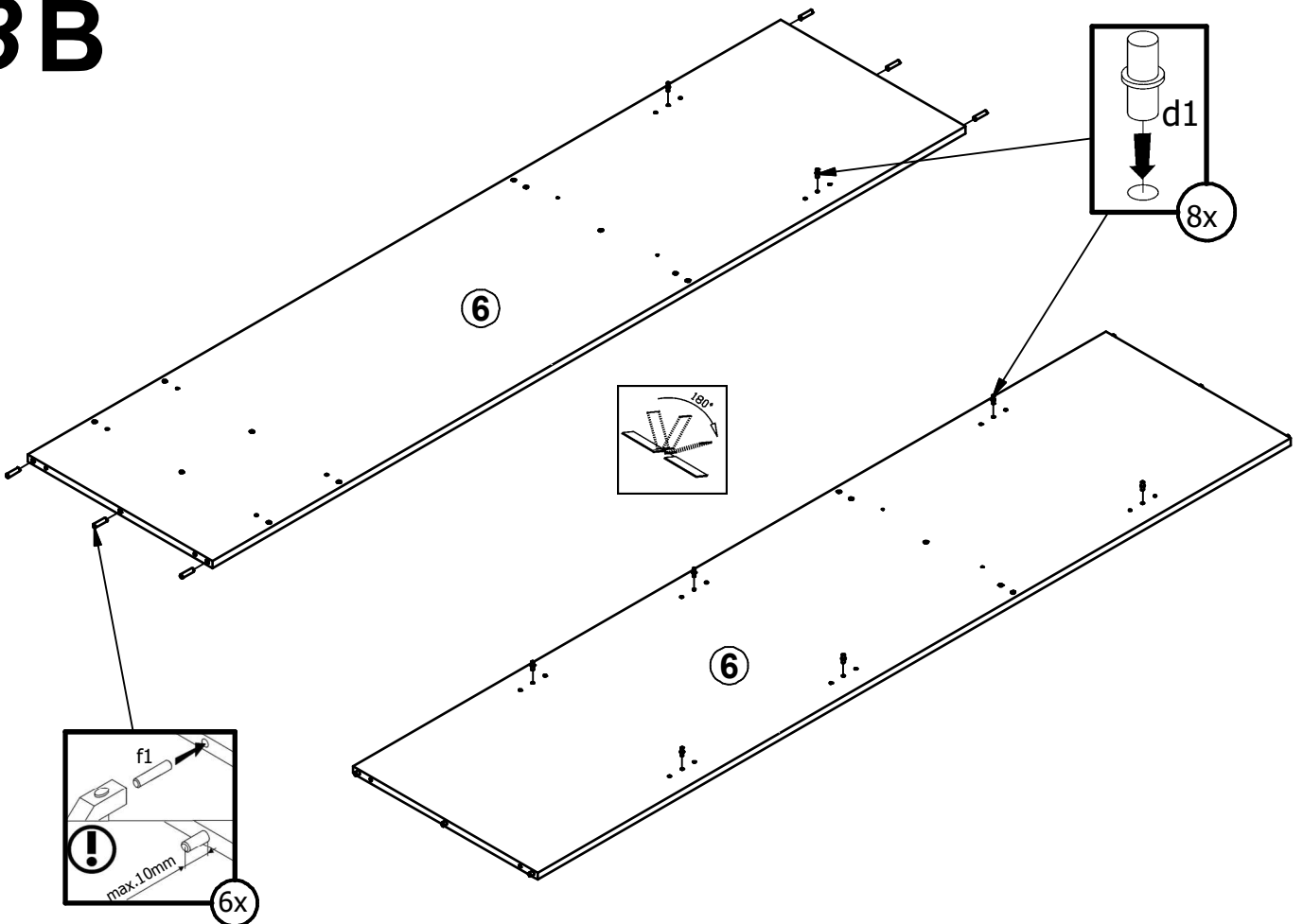
S538-REG3D

73-880--- 84-882--- 13 / 38

3 A



3 B



A

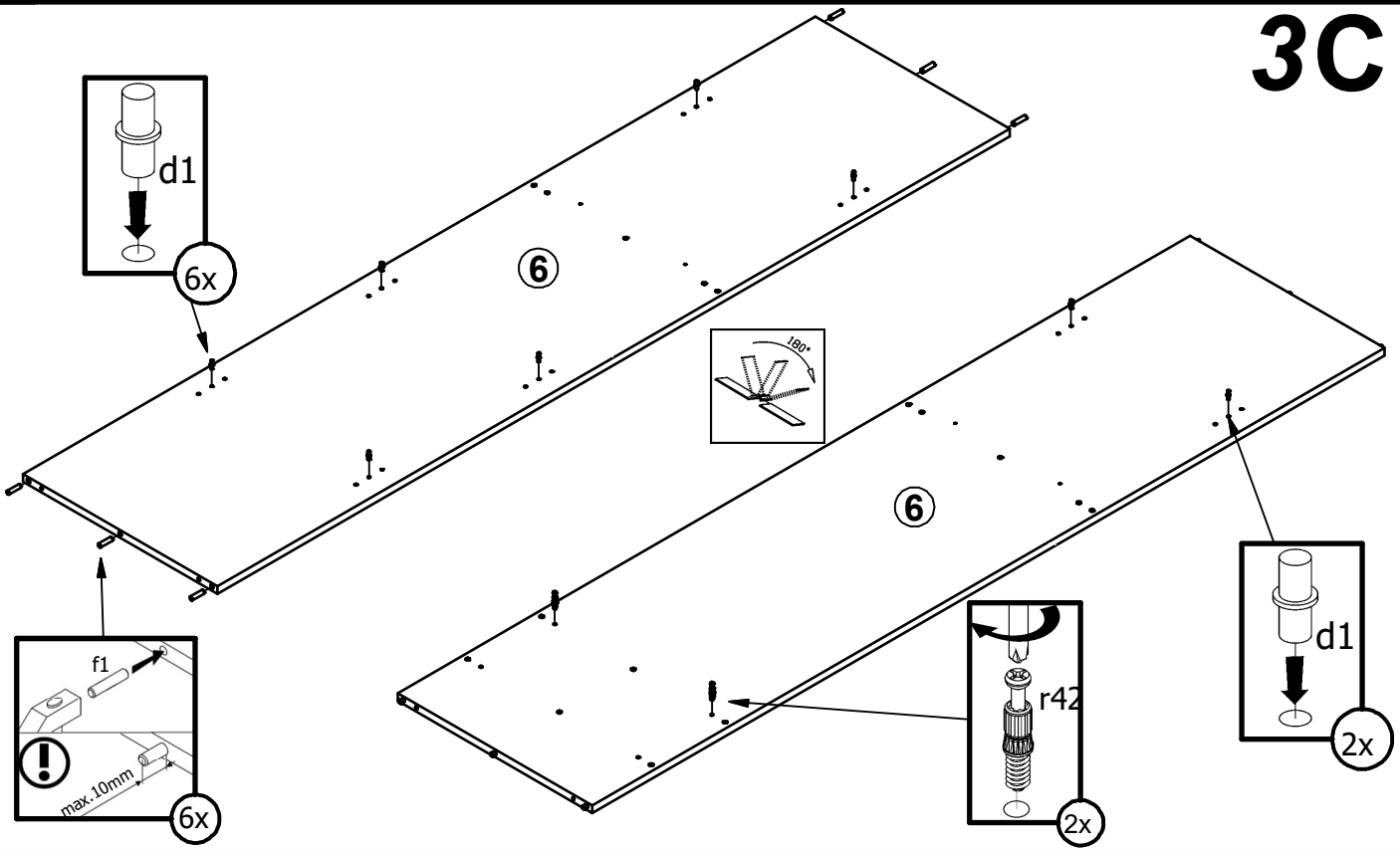
S538-REG3D

73-880---

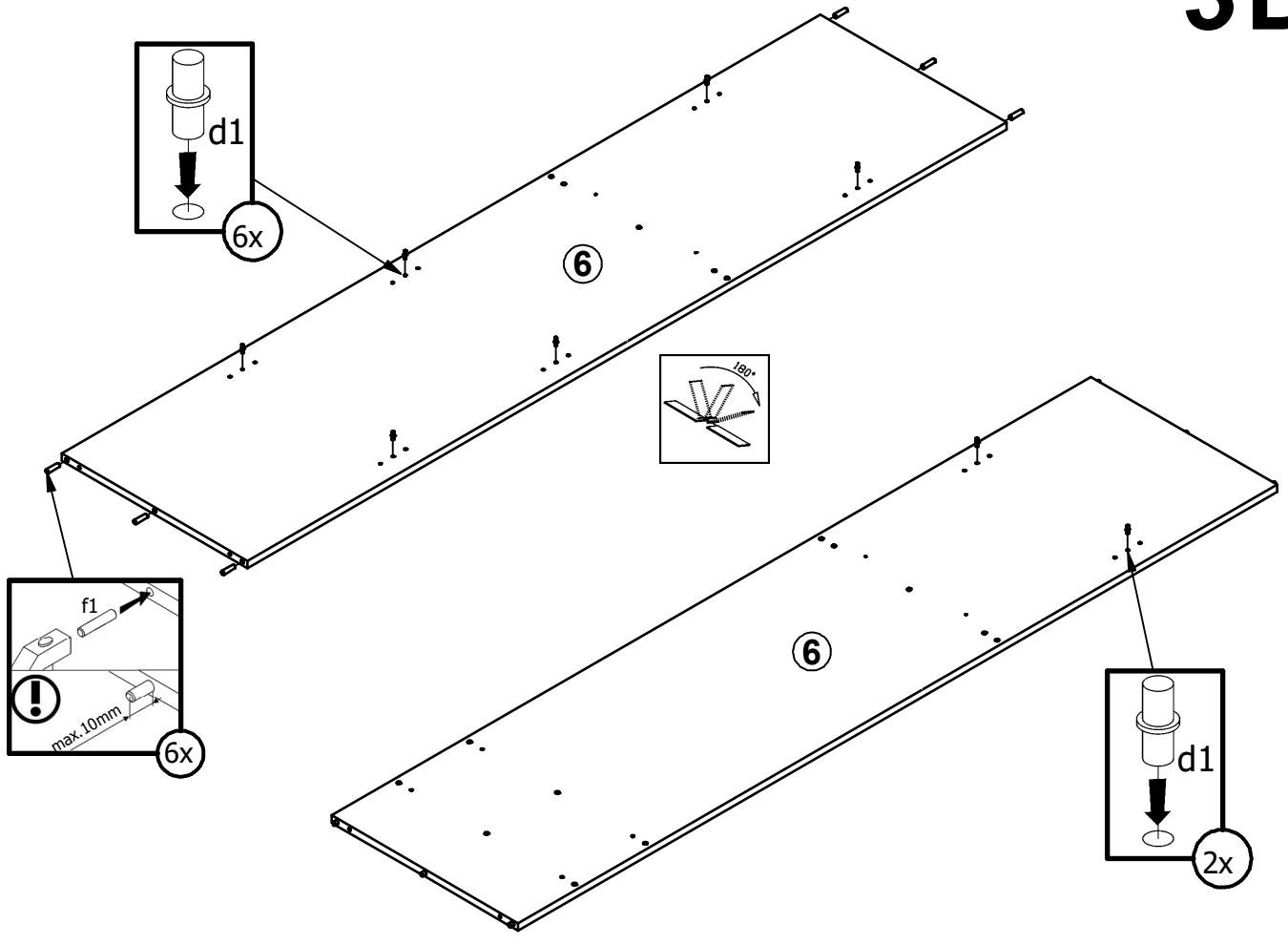
84-882---

14 / 38

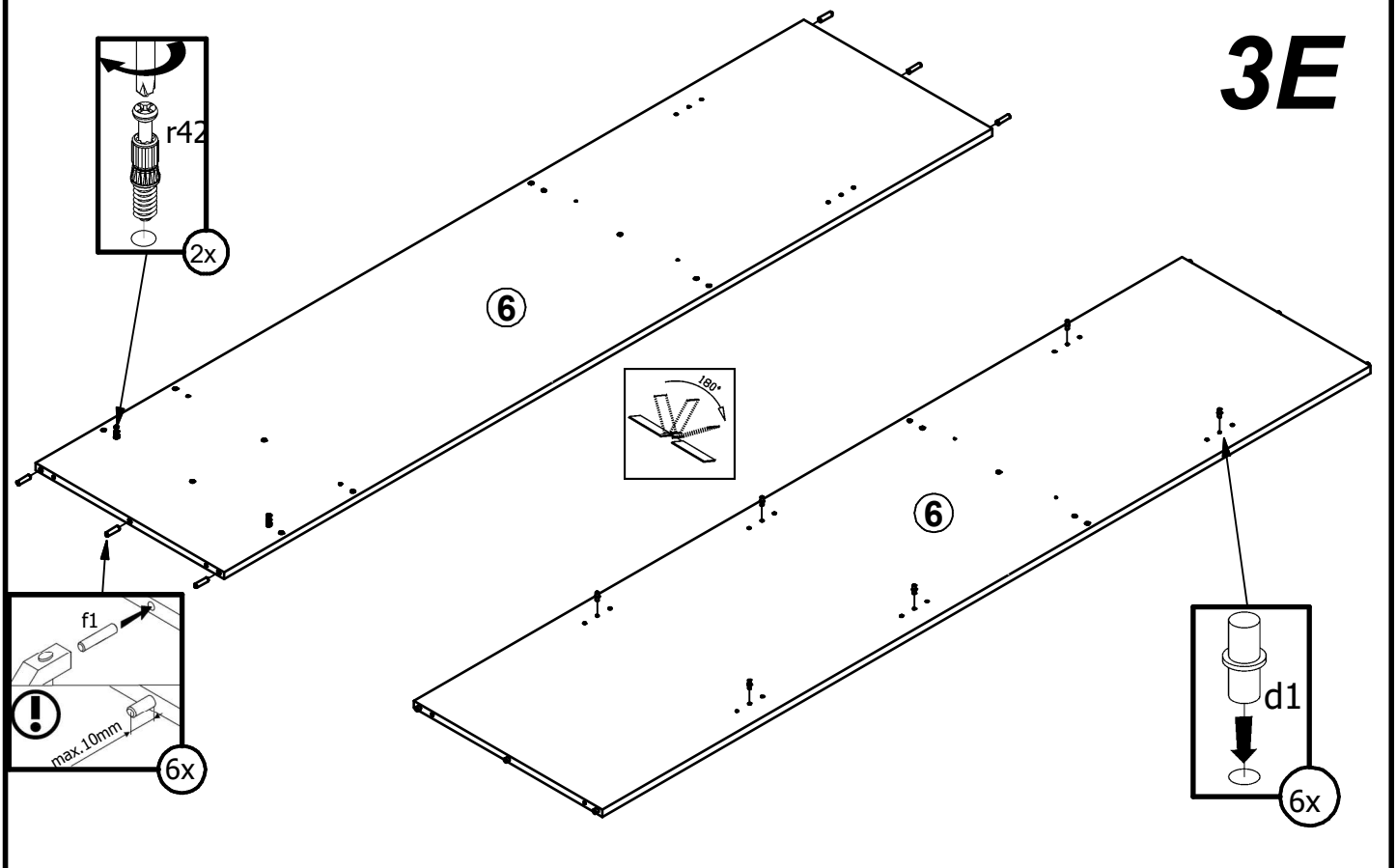
3C



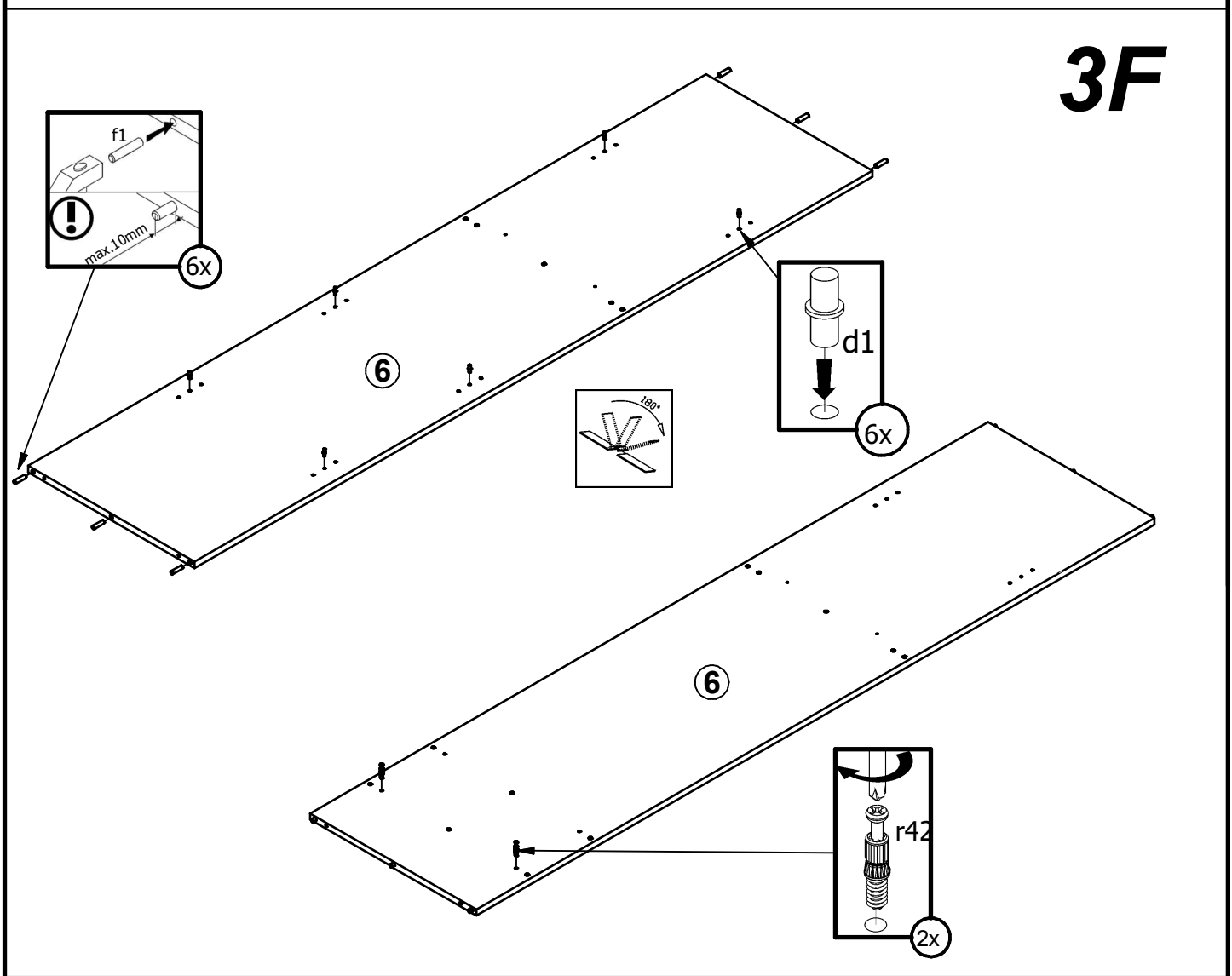
3D



3E



3F

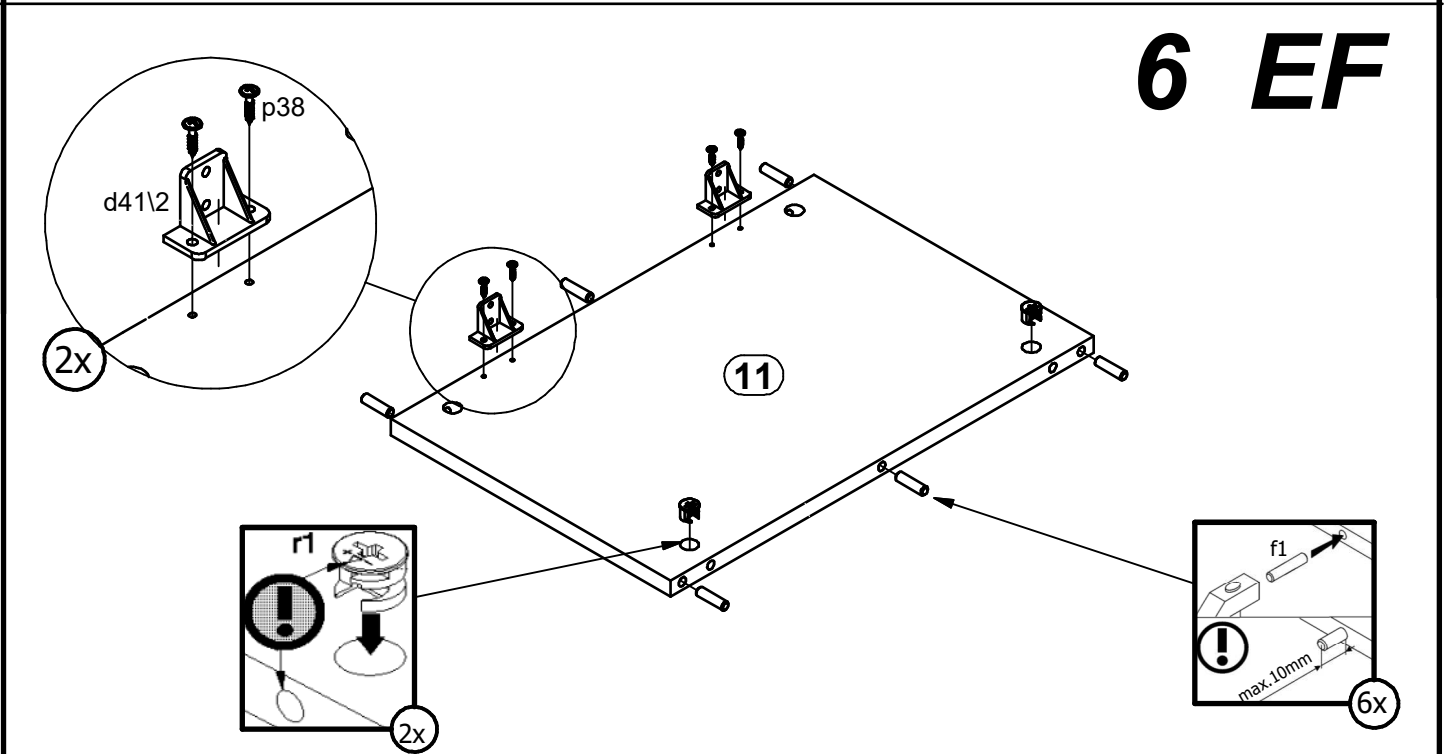
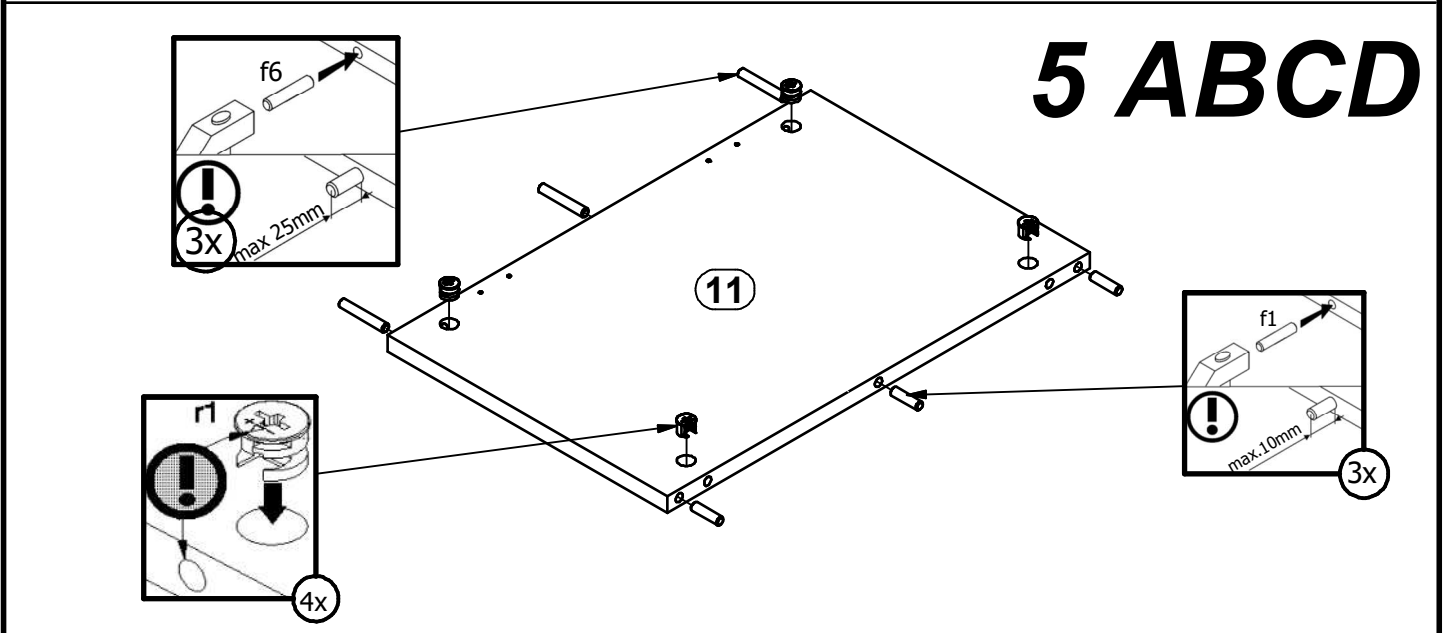
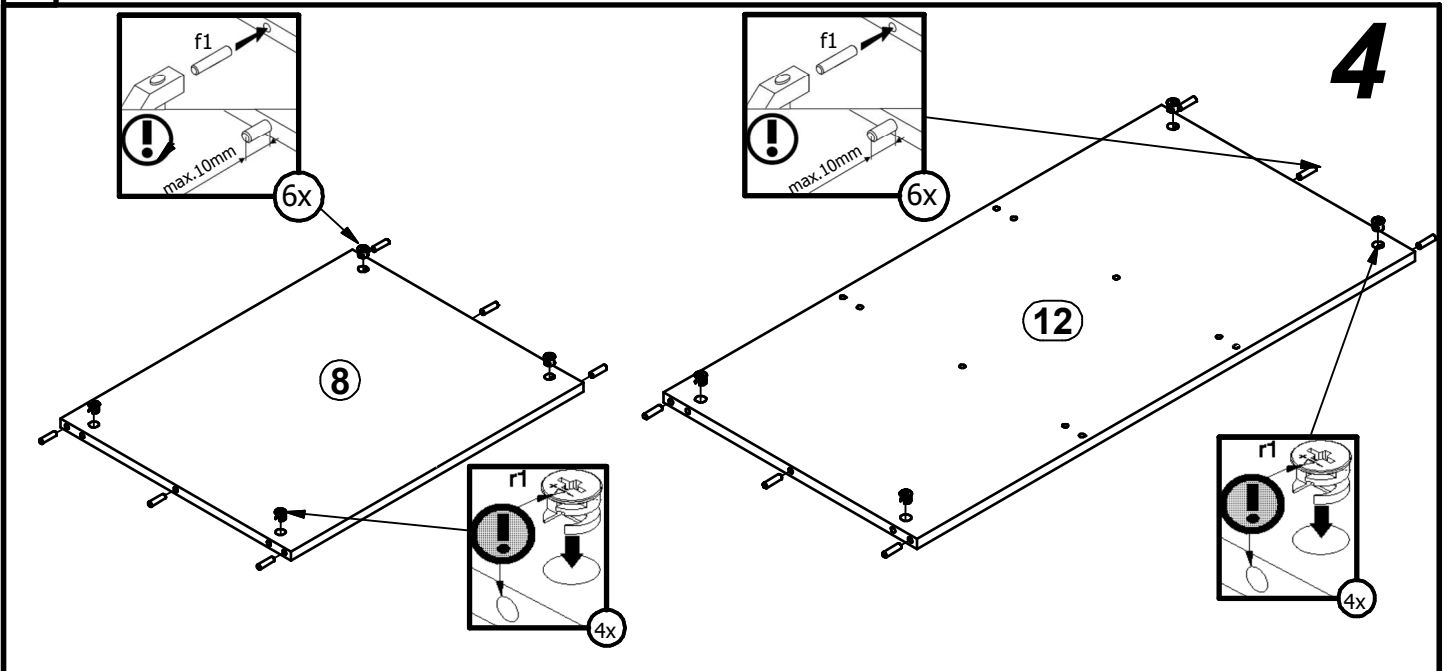


A

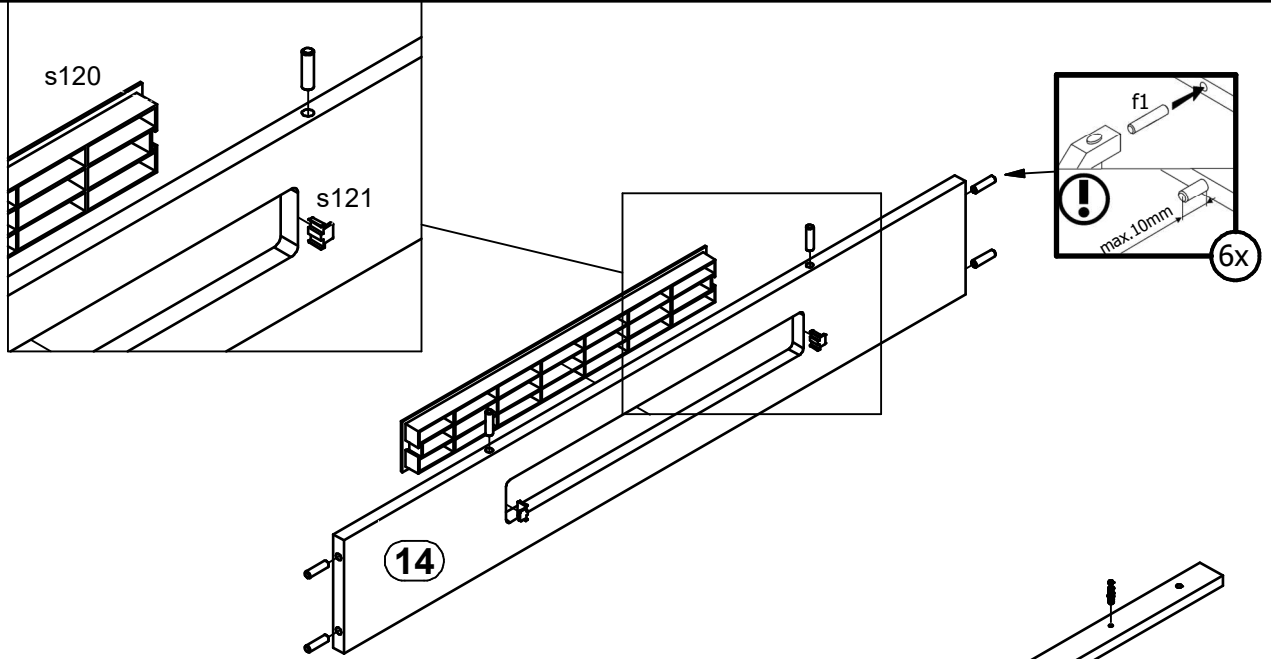
S538-REG3D

73-880--- 84-882---

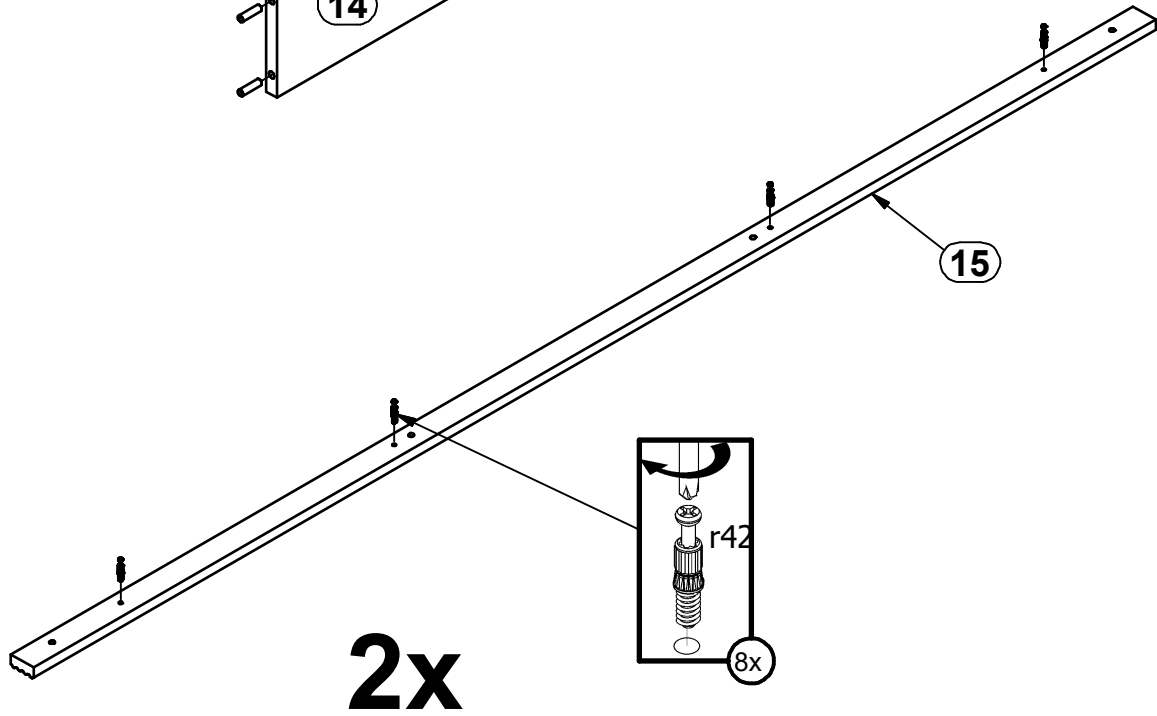
16 / 38



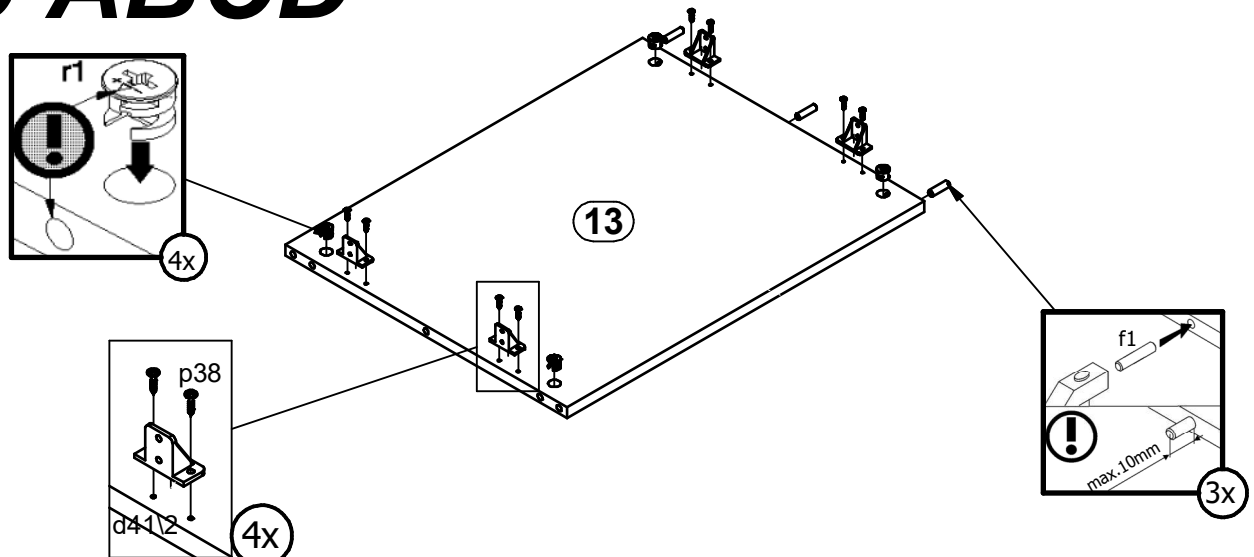
7



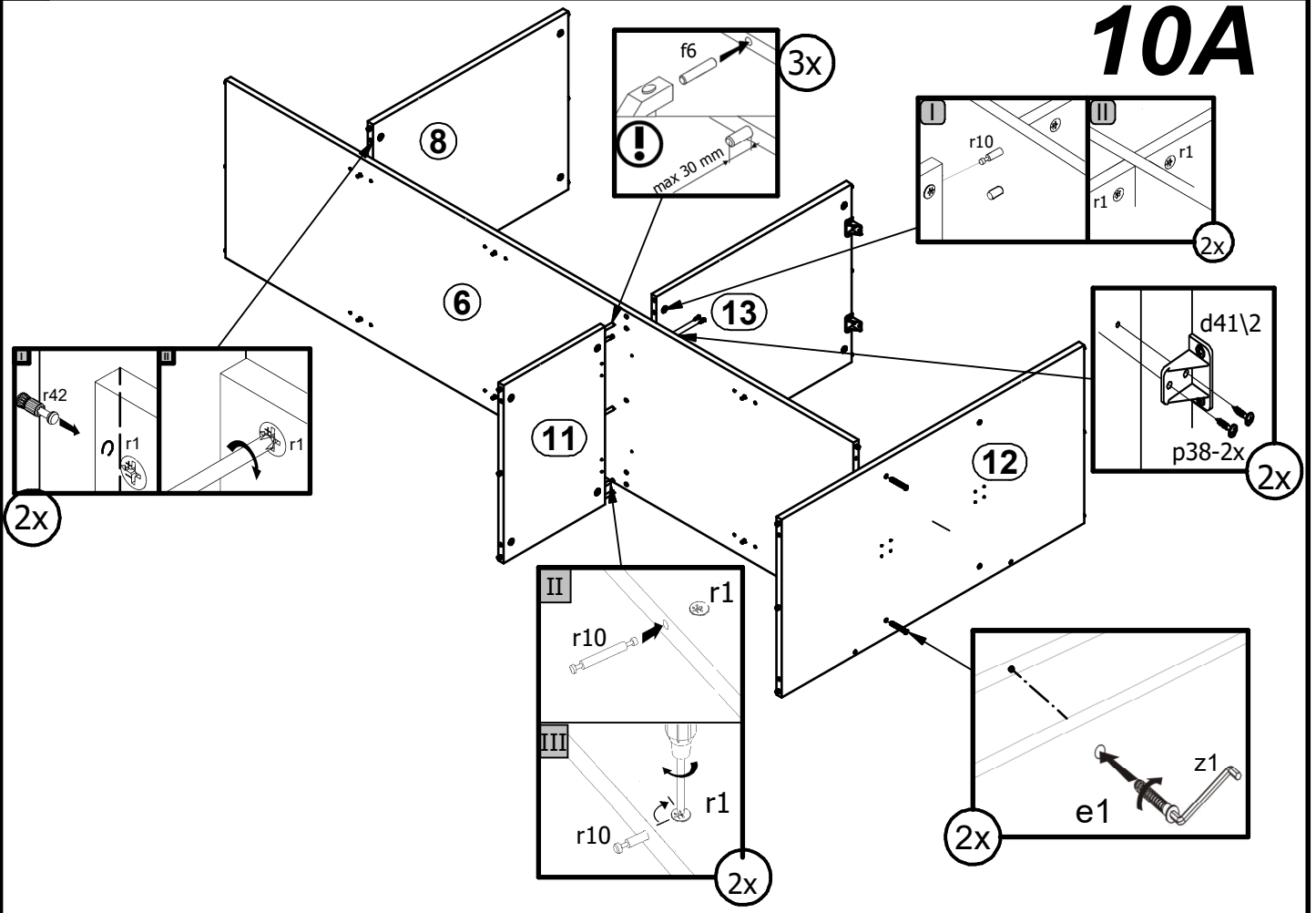
8



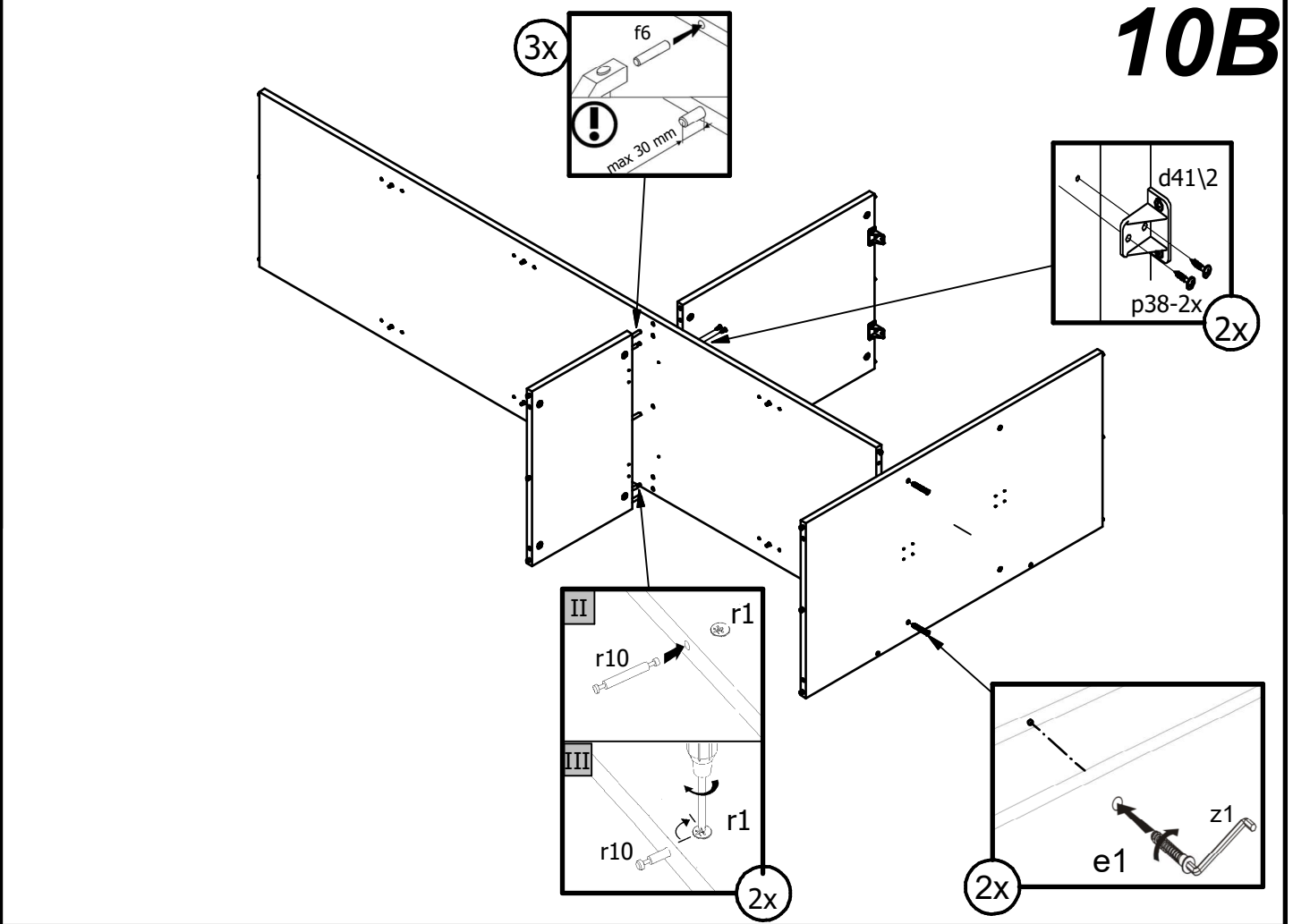
9 ABCD



10A

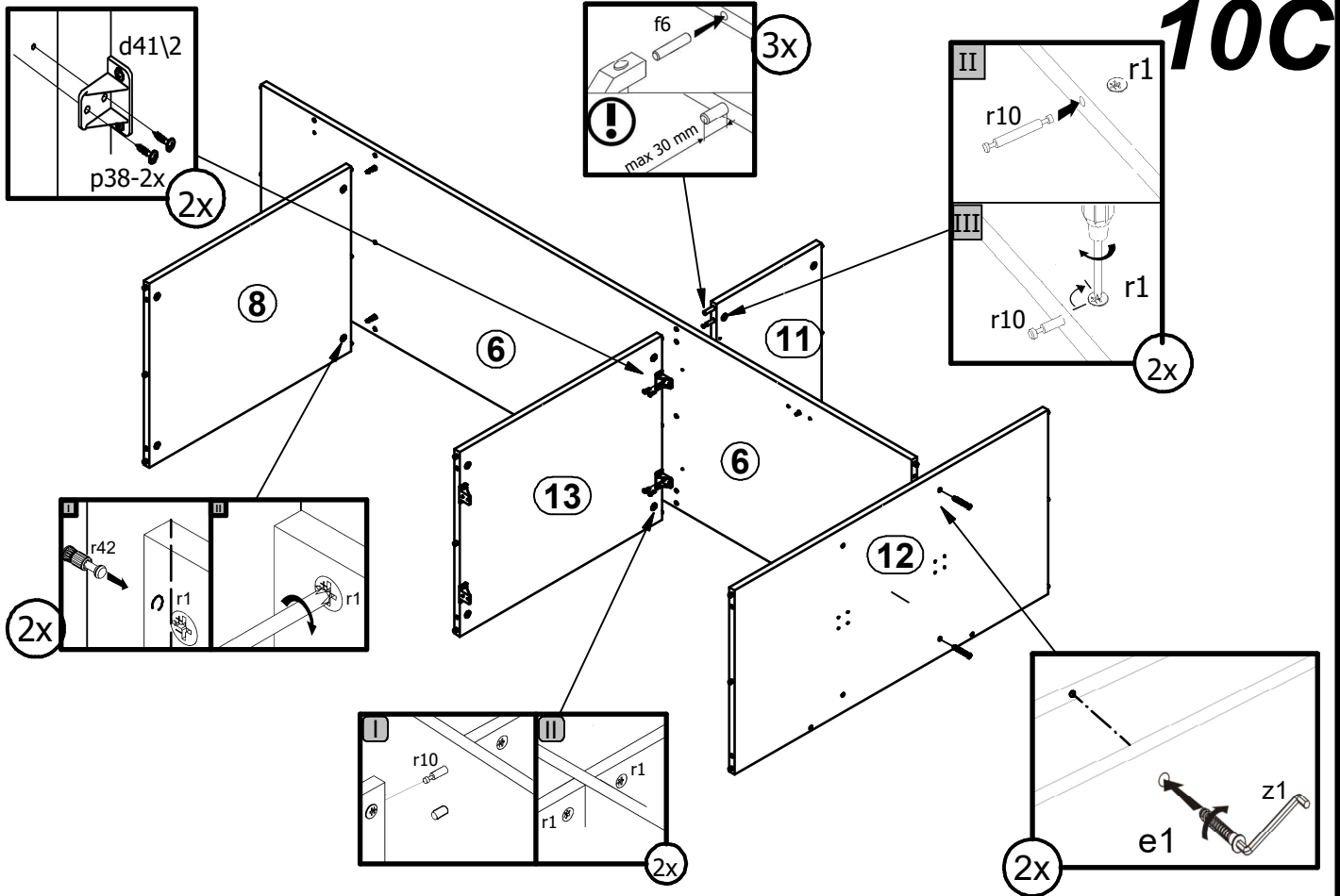
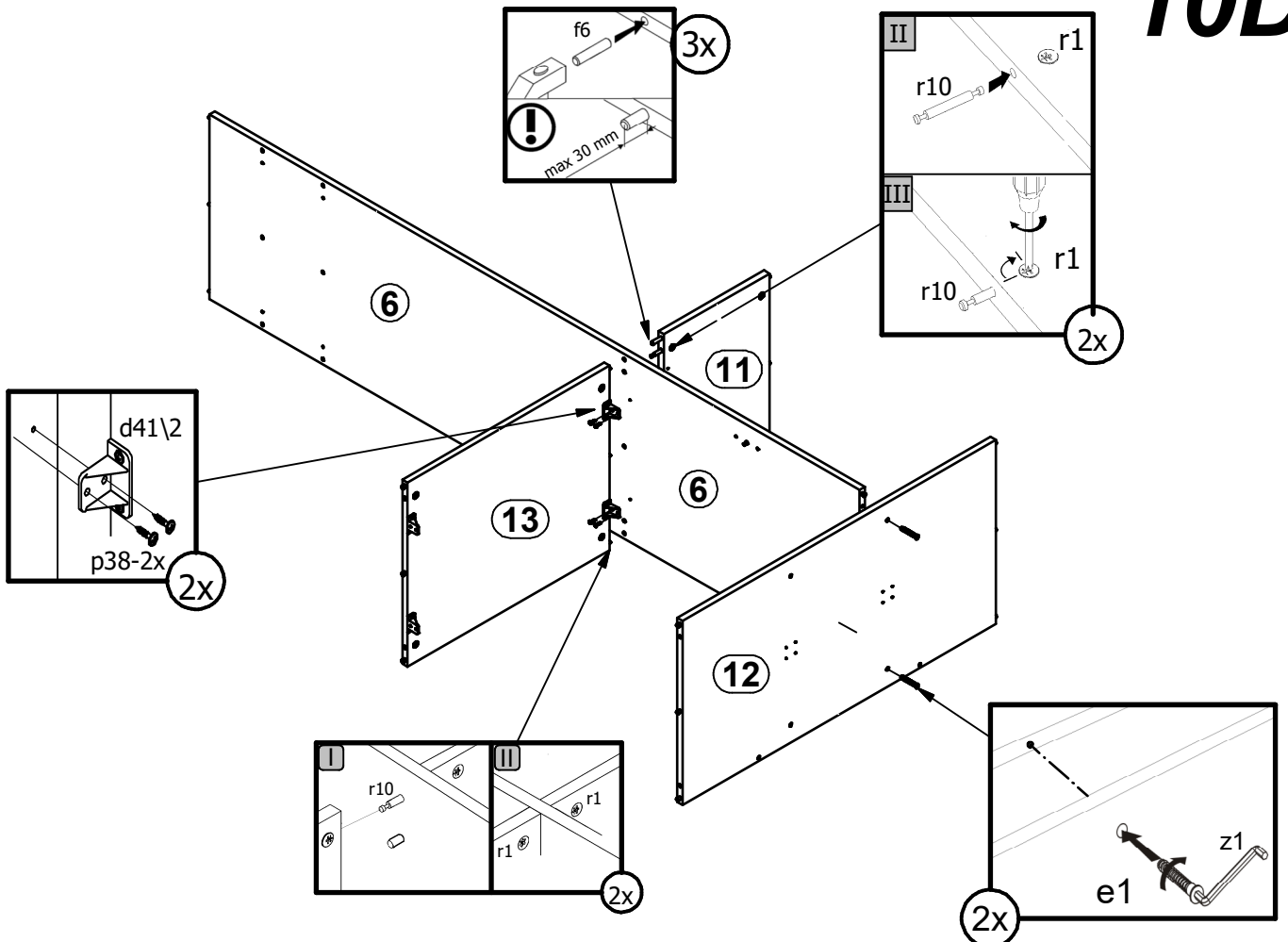


10B

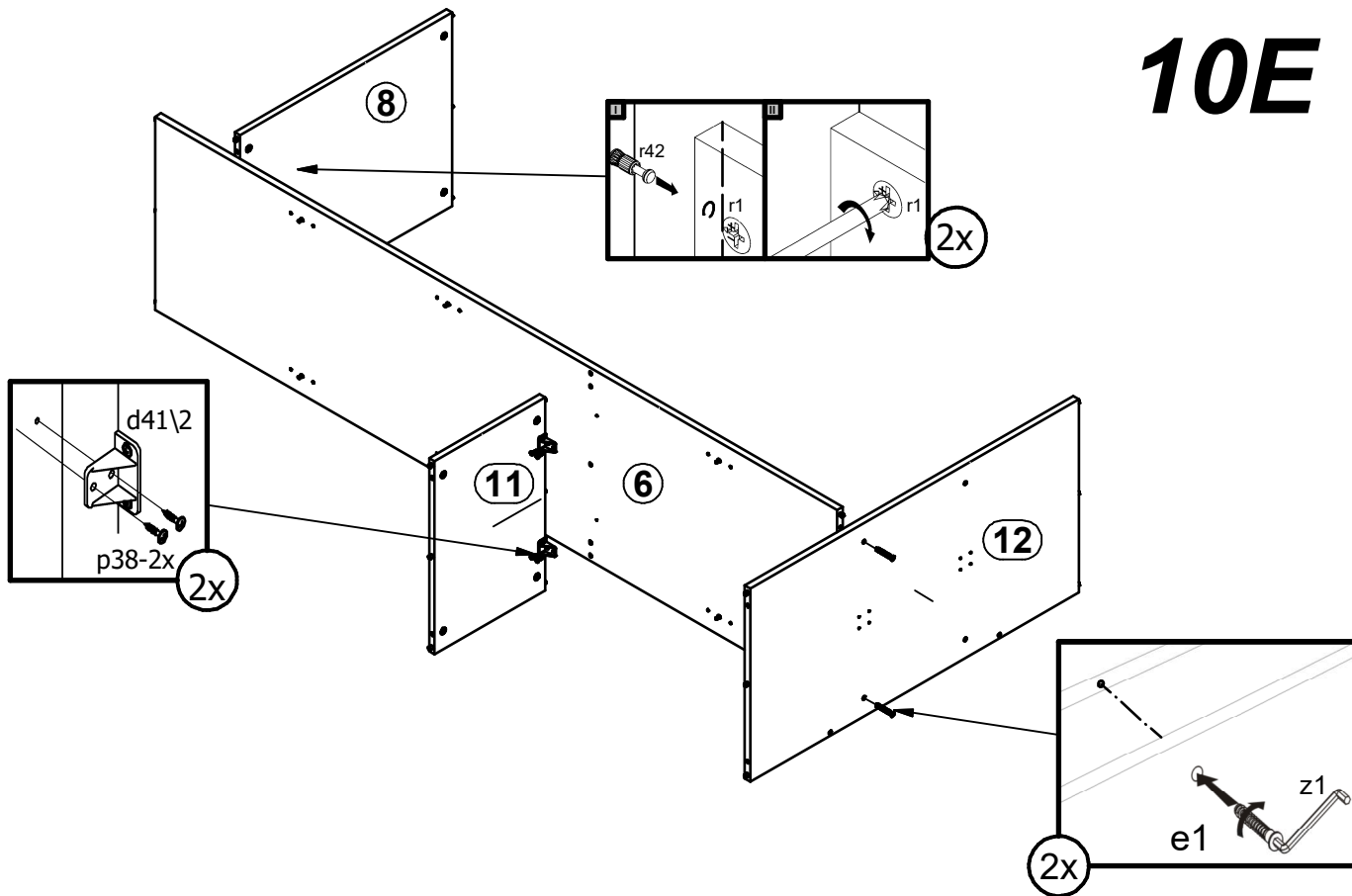


A**S538-REG3D****73-880--- 84-882---**

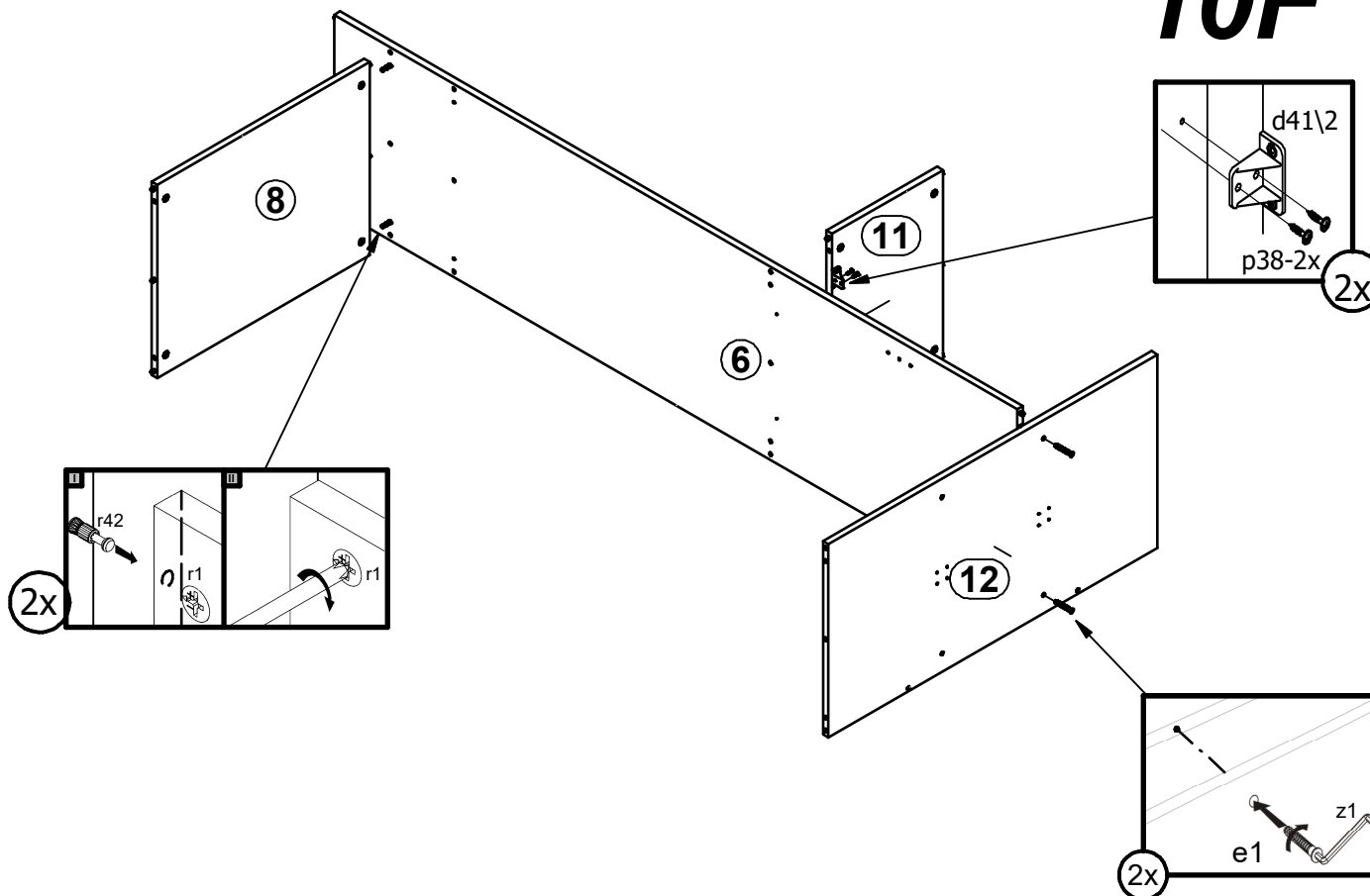
19 / 38

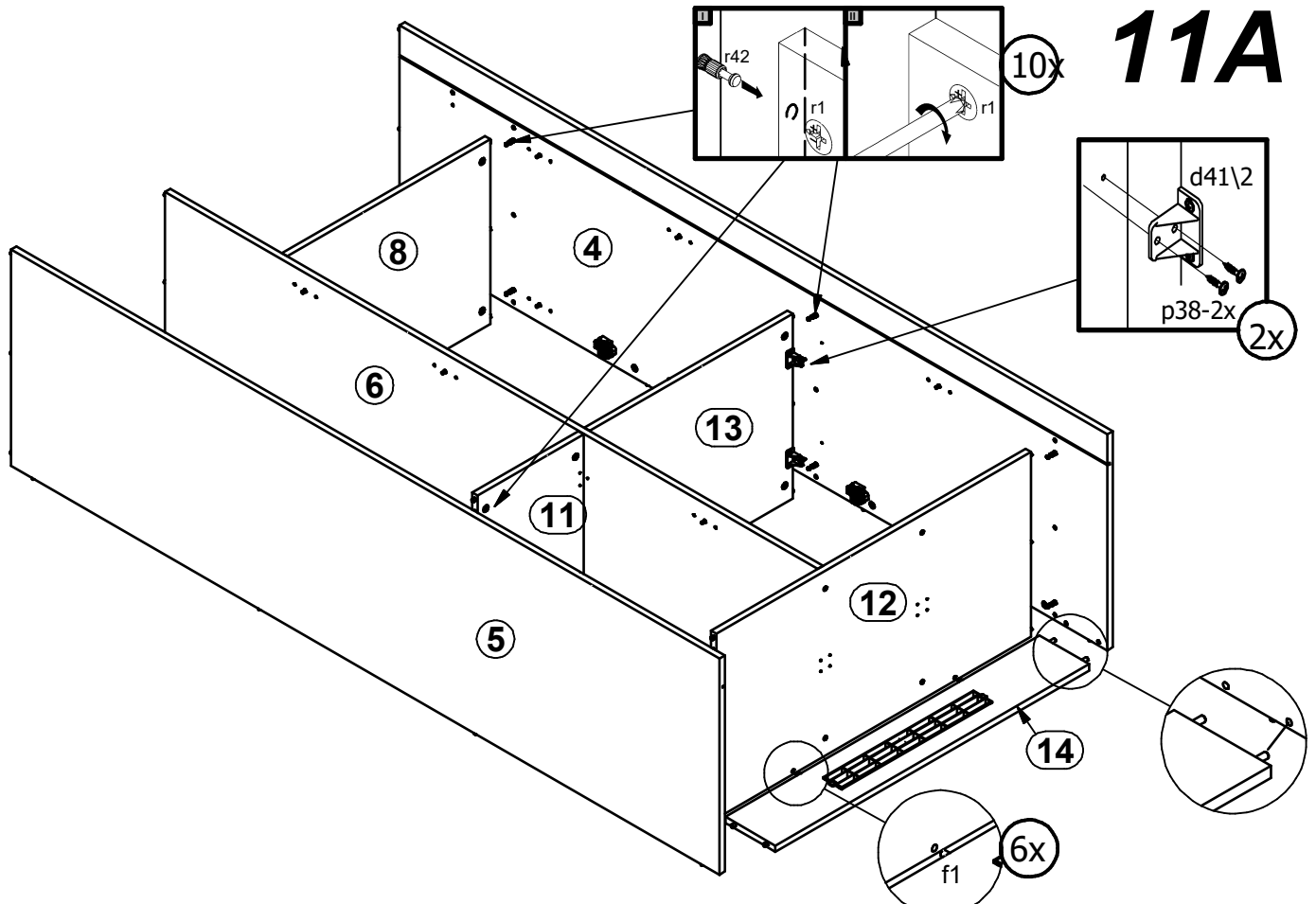
**10D**

10E

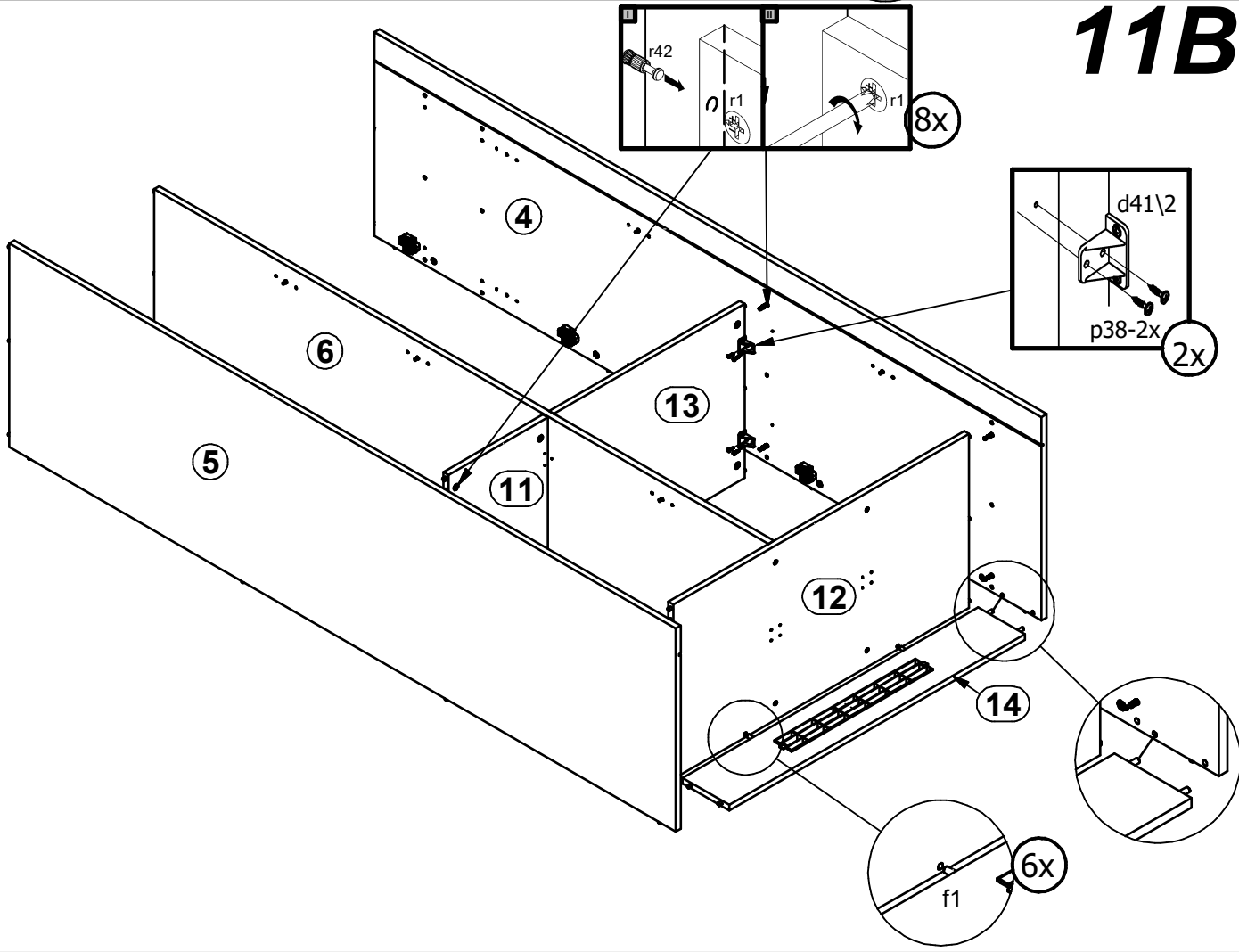


10F





11A



11B

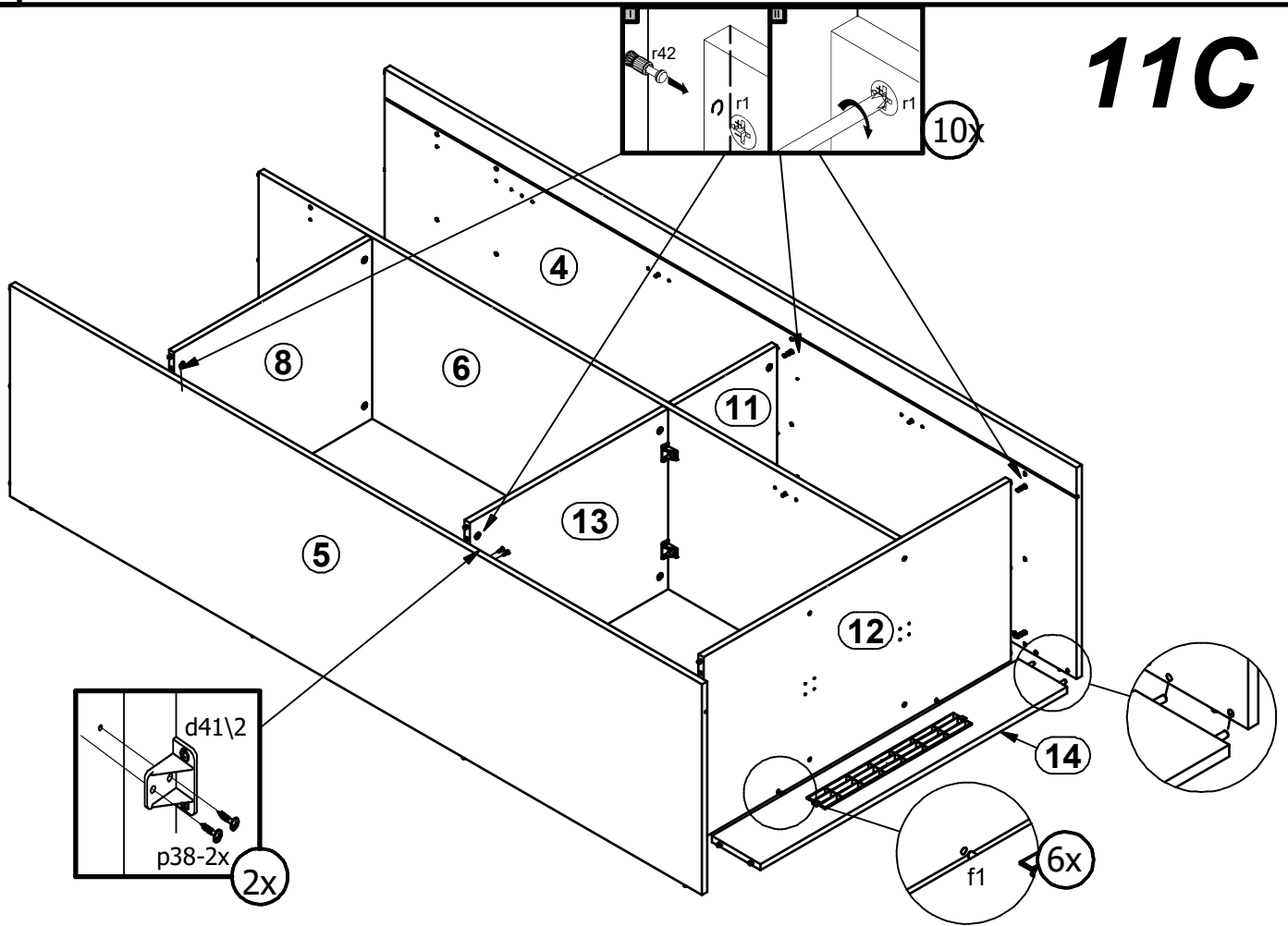
A

S538-REG3D

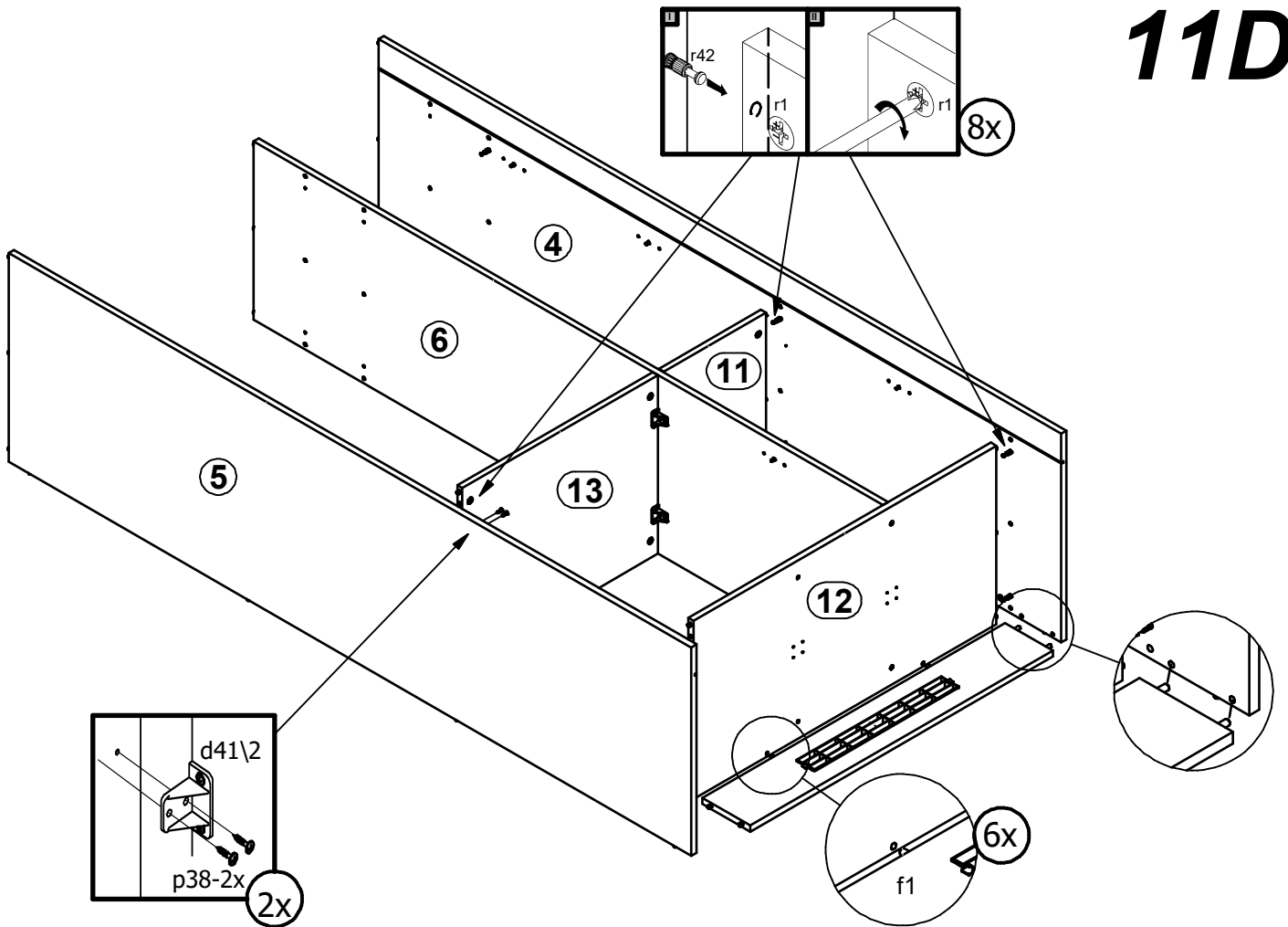
73-880--- 84-882---

22 / 38

11C



11D



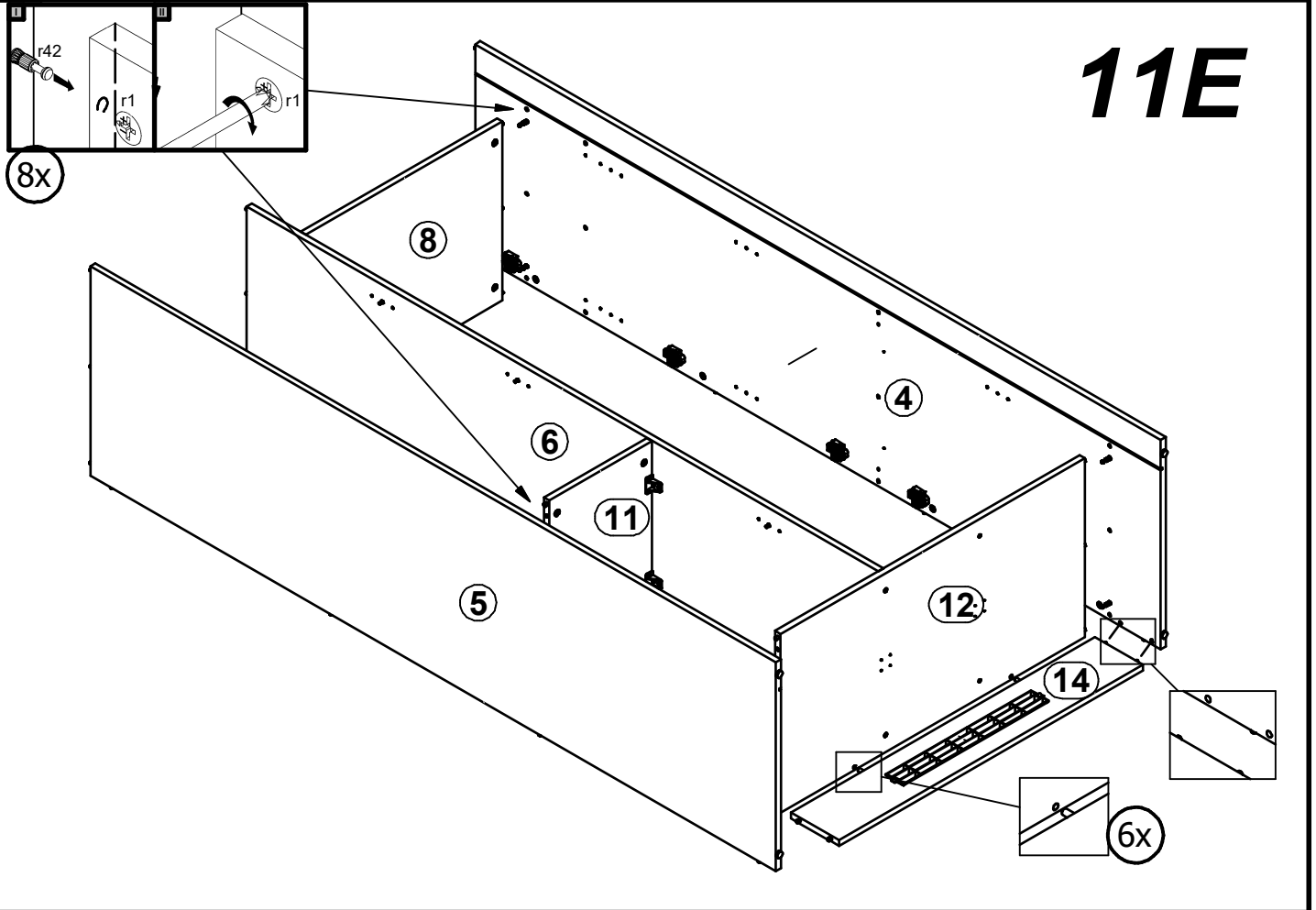
A

S538-REG3D

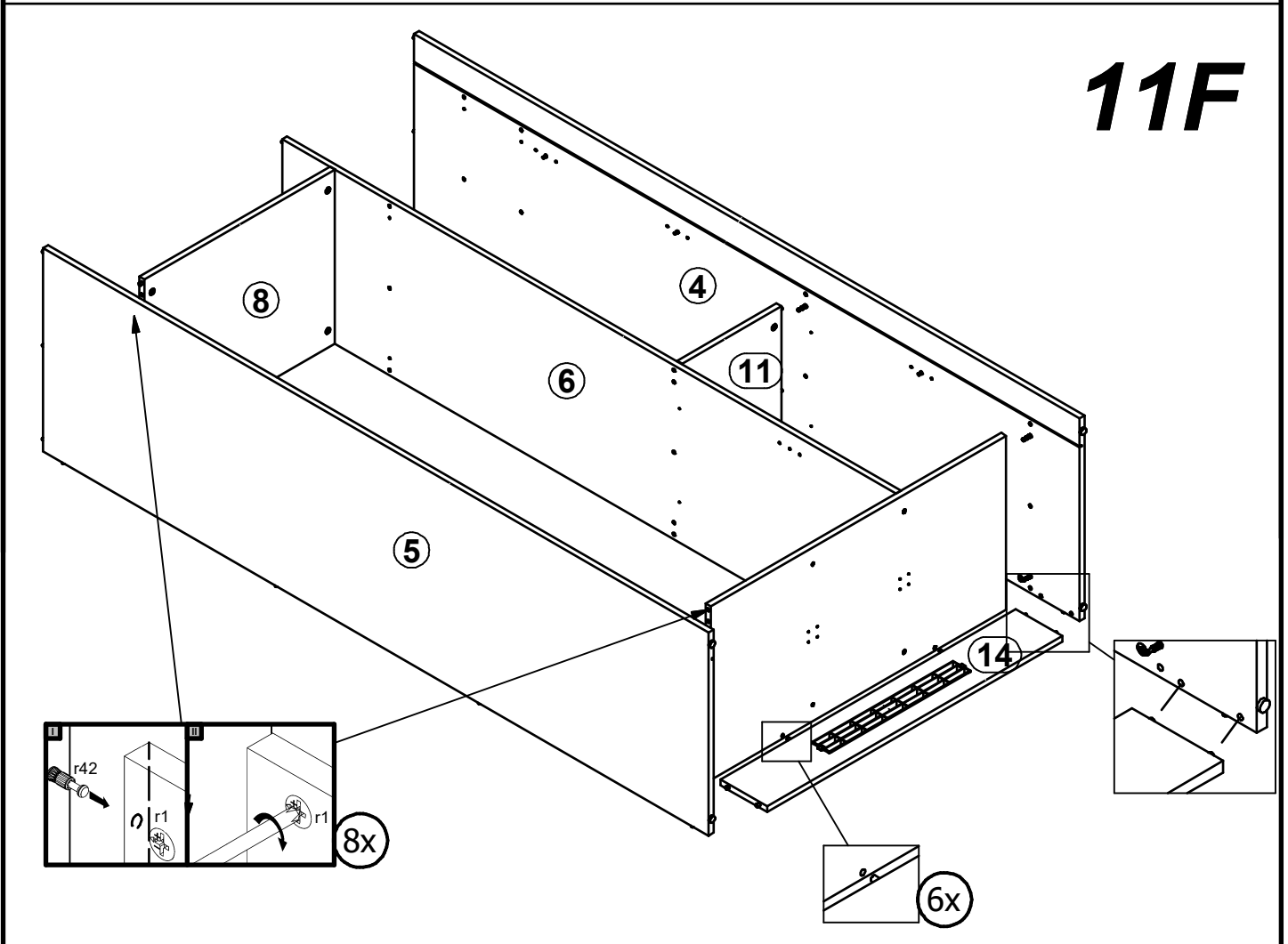
73-880--- 84-882---

23 / 38

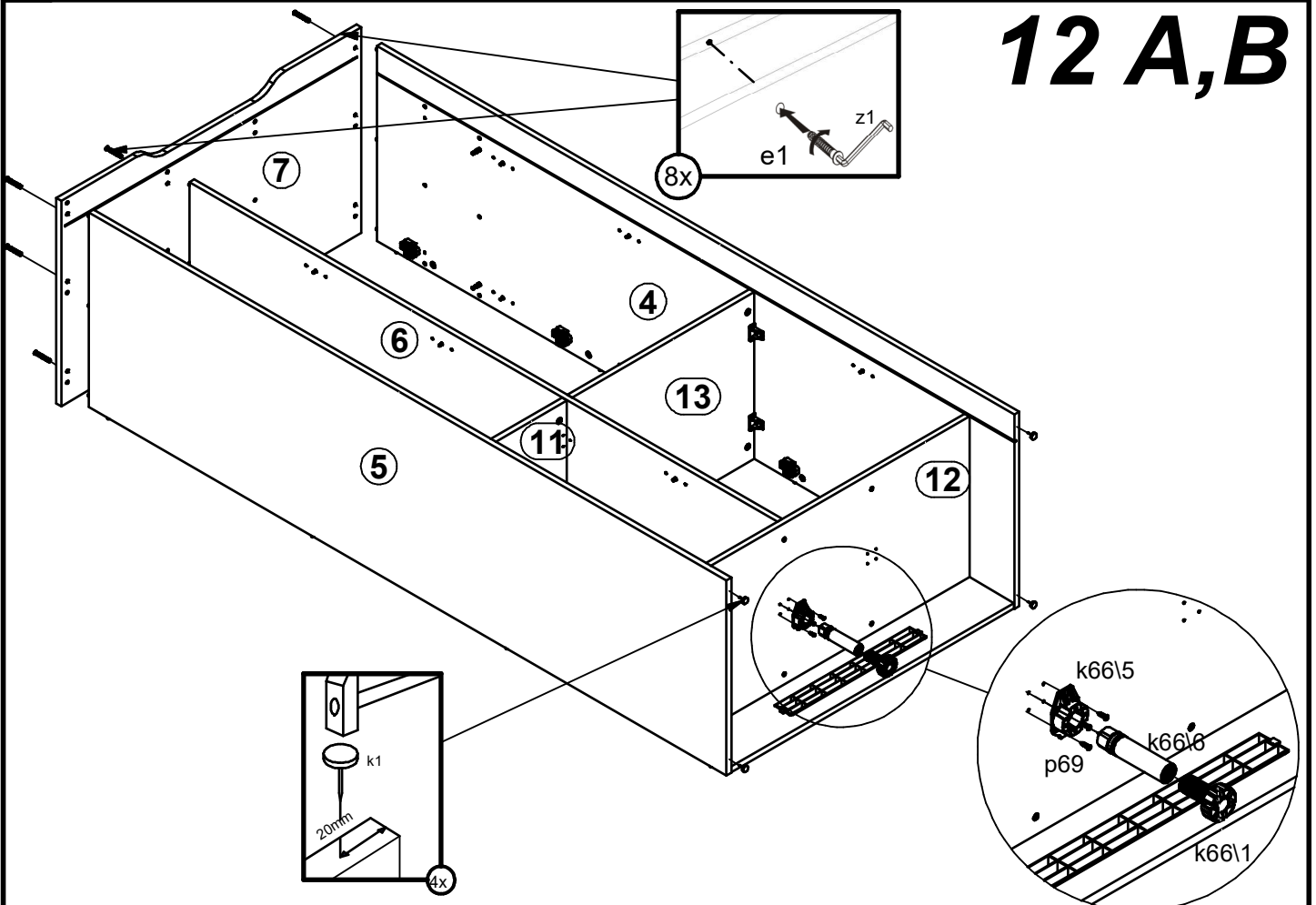
11E



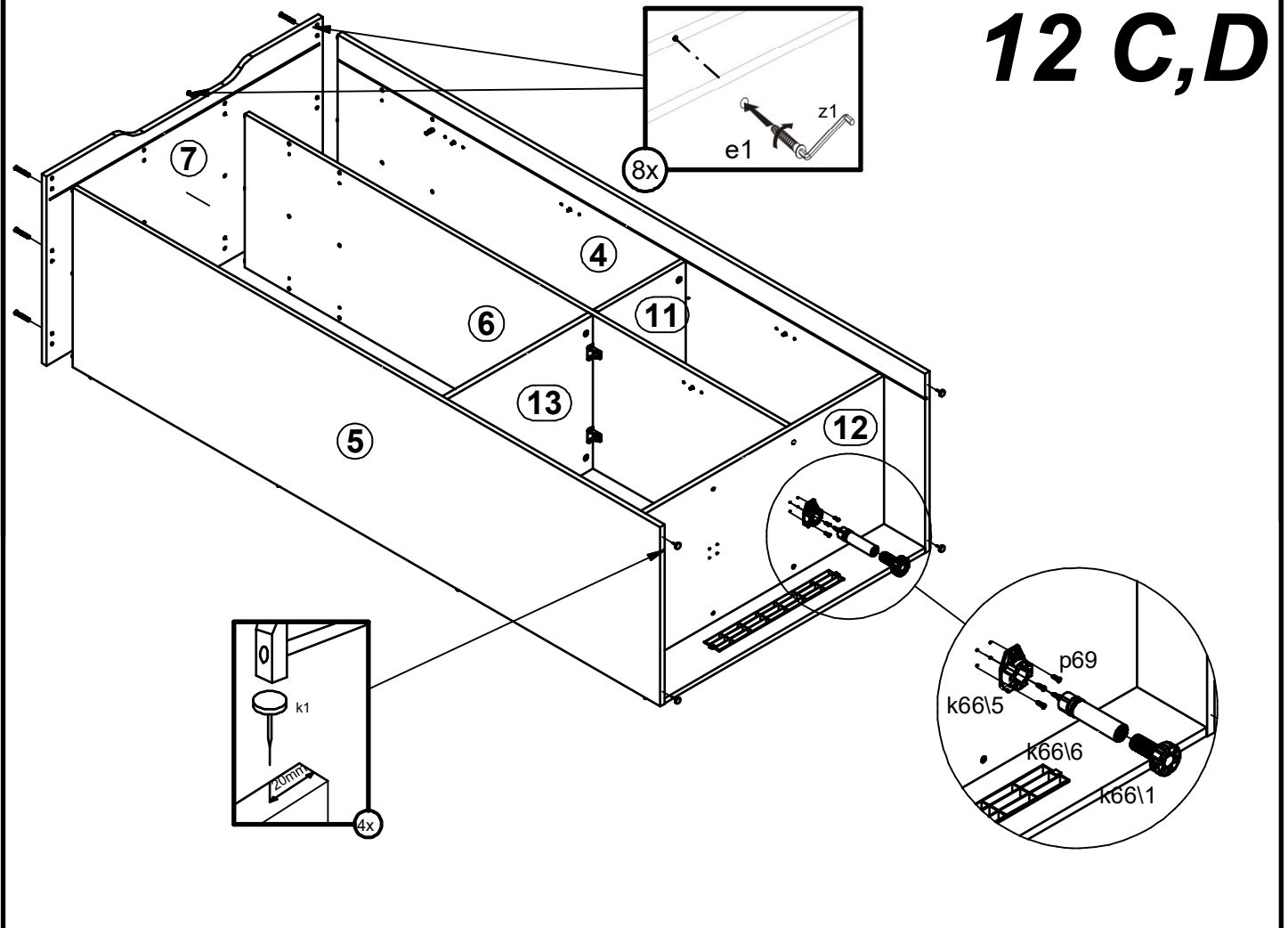
11F



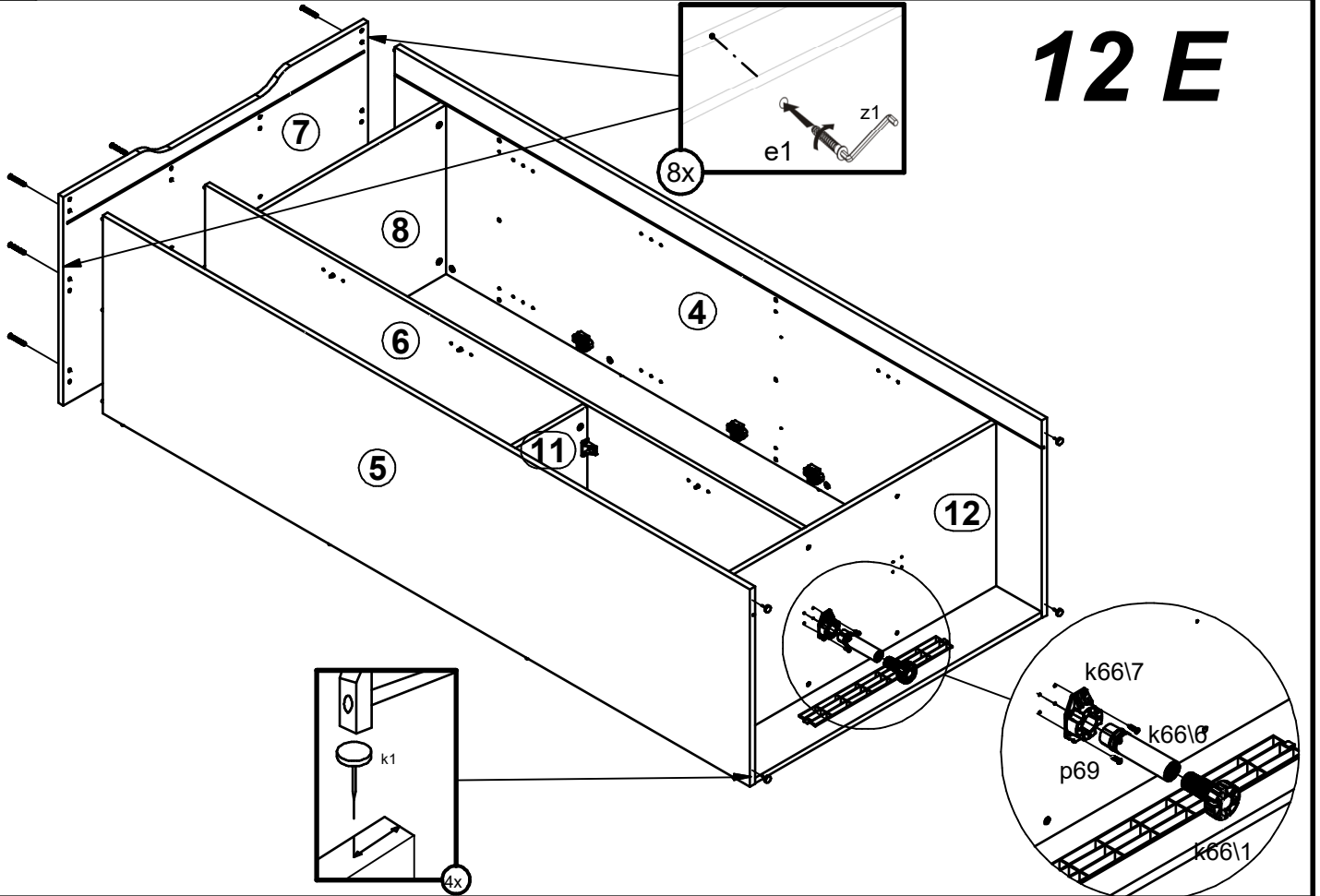
12 A,B



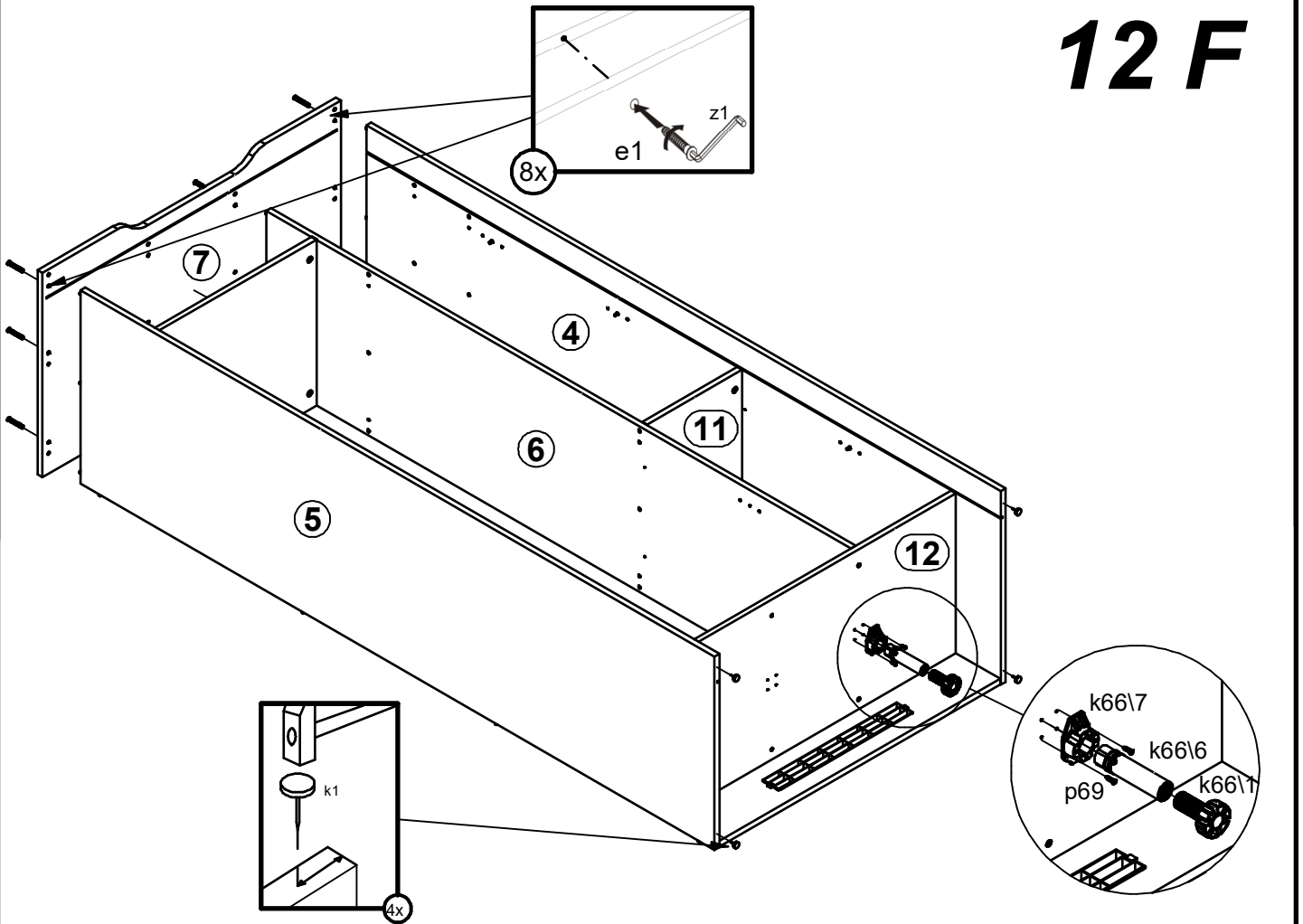
12 C,D



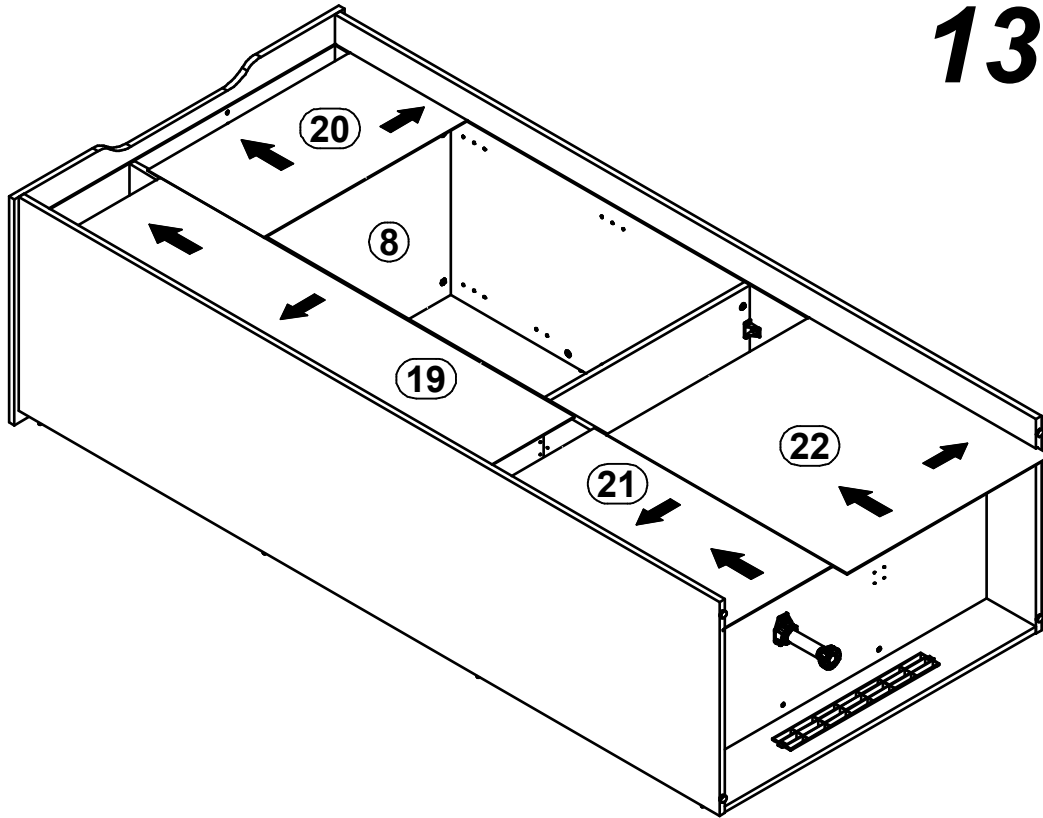
12 E



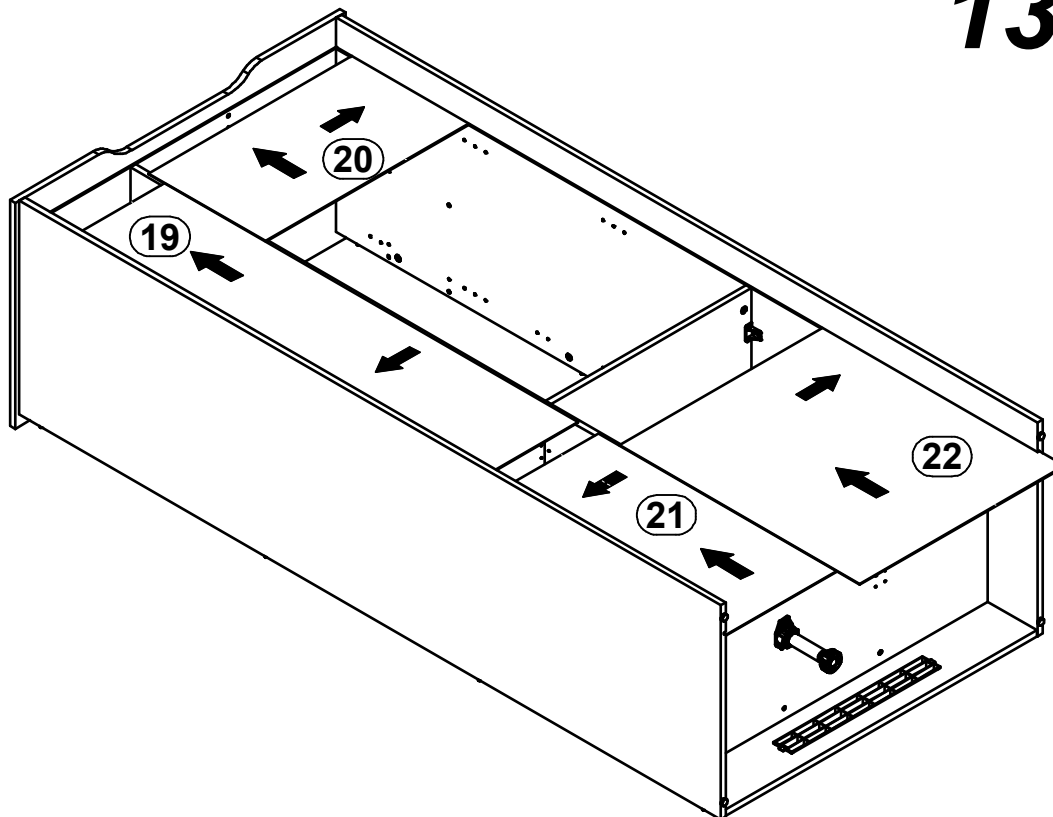
12 F



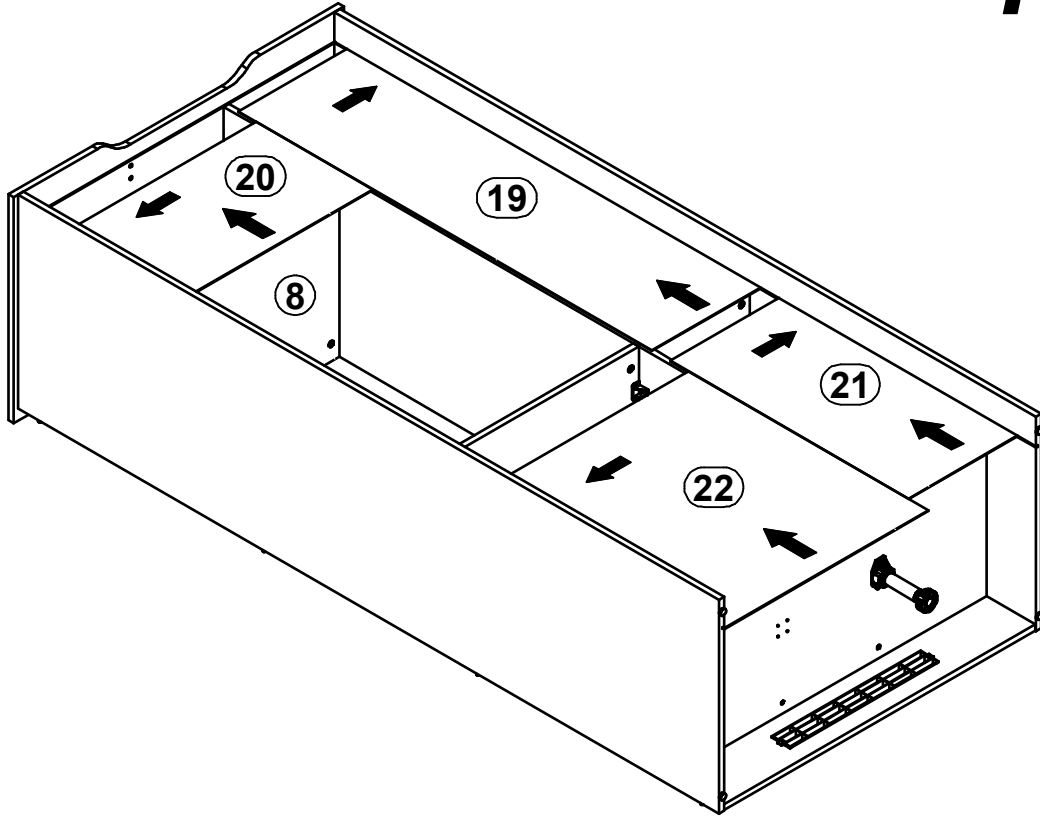
13 A



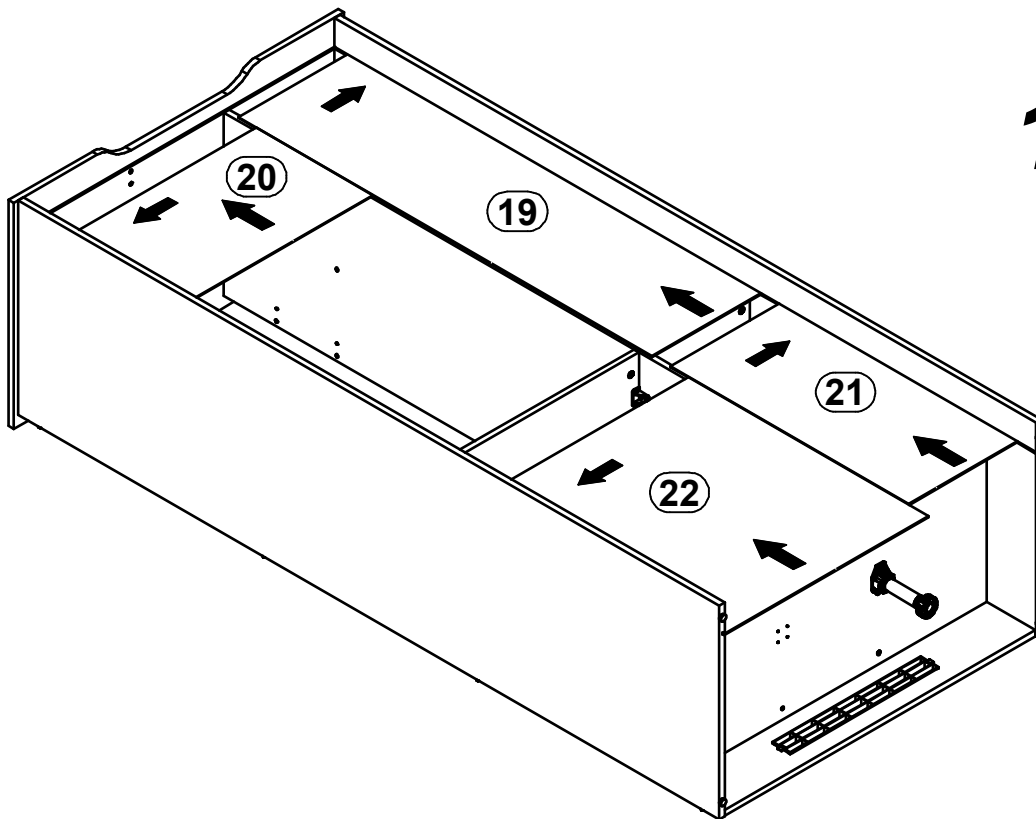
13 B

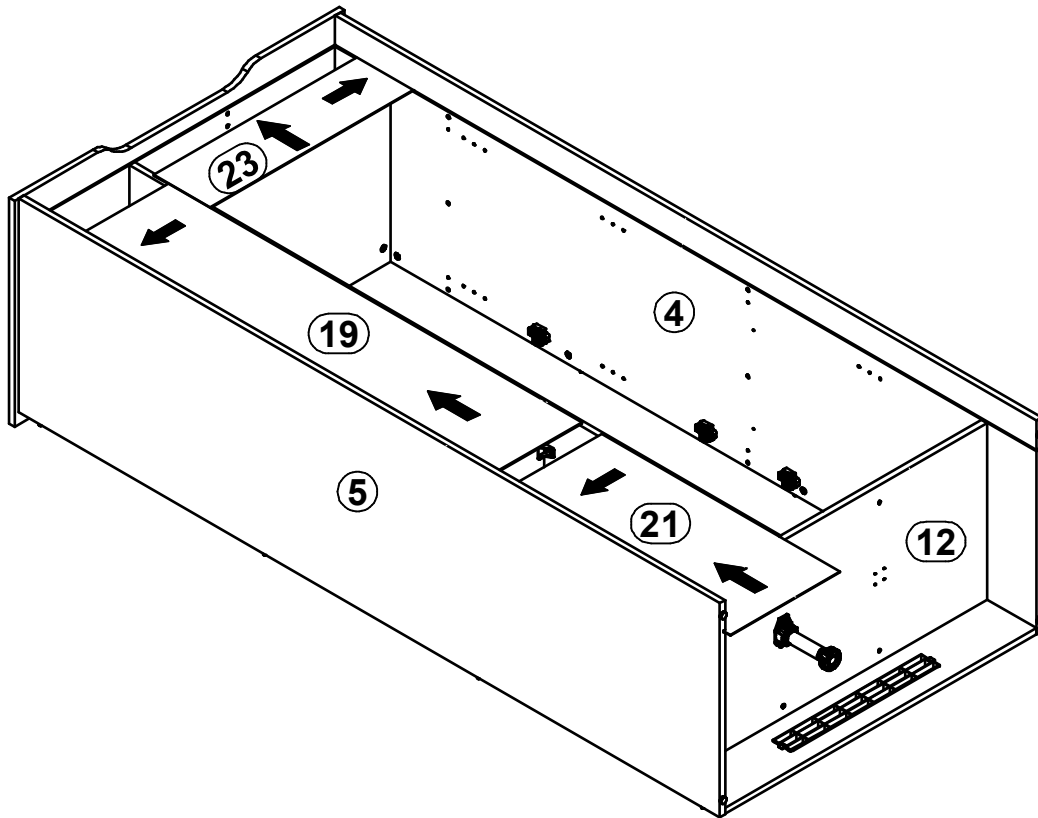
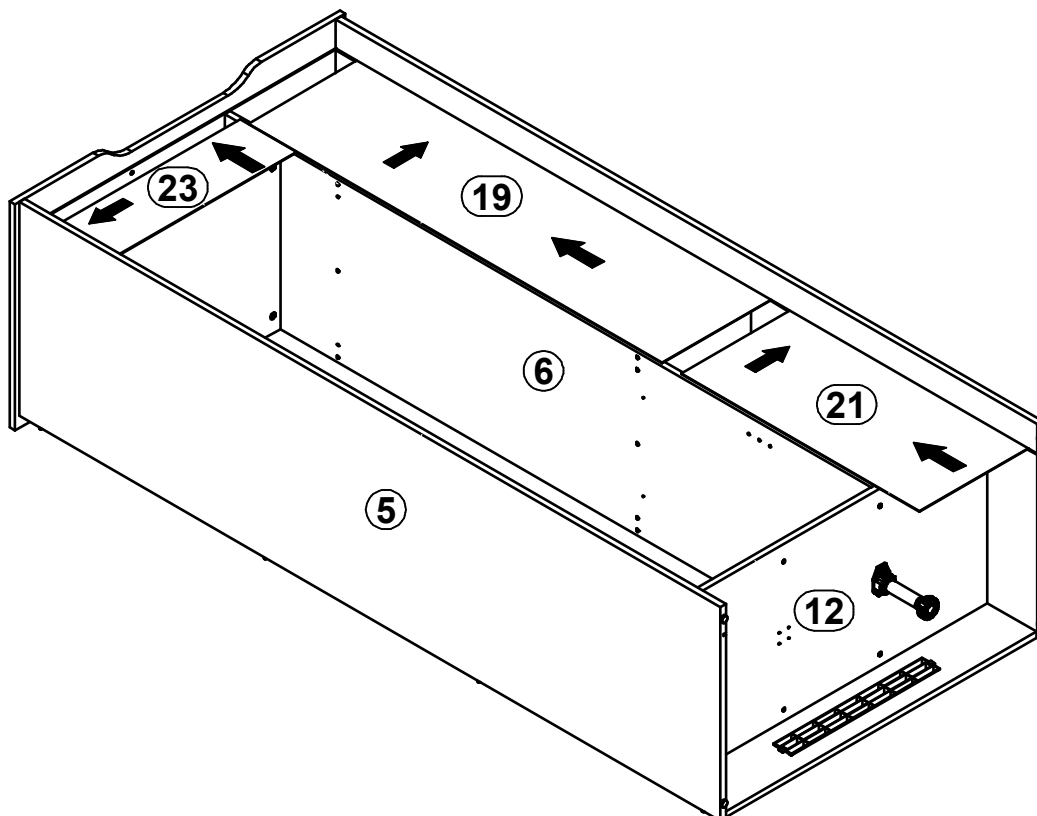


13 C

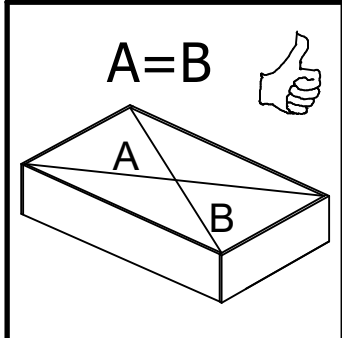
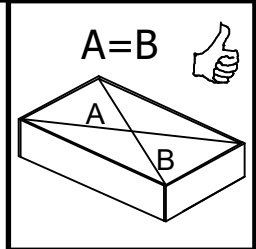
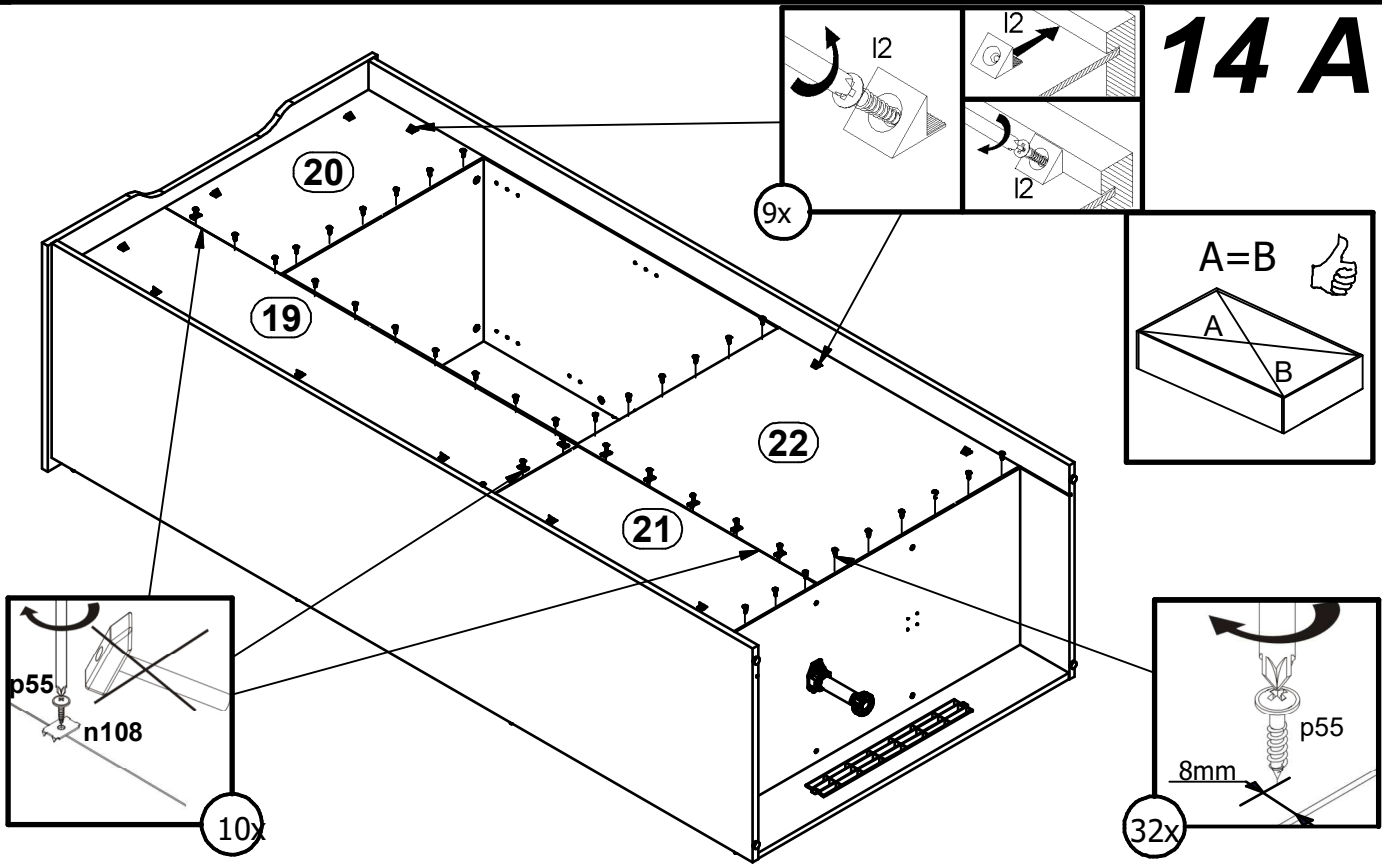


13 D

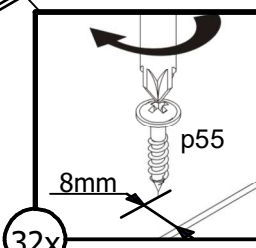
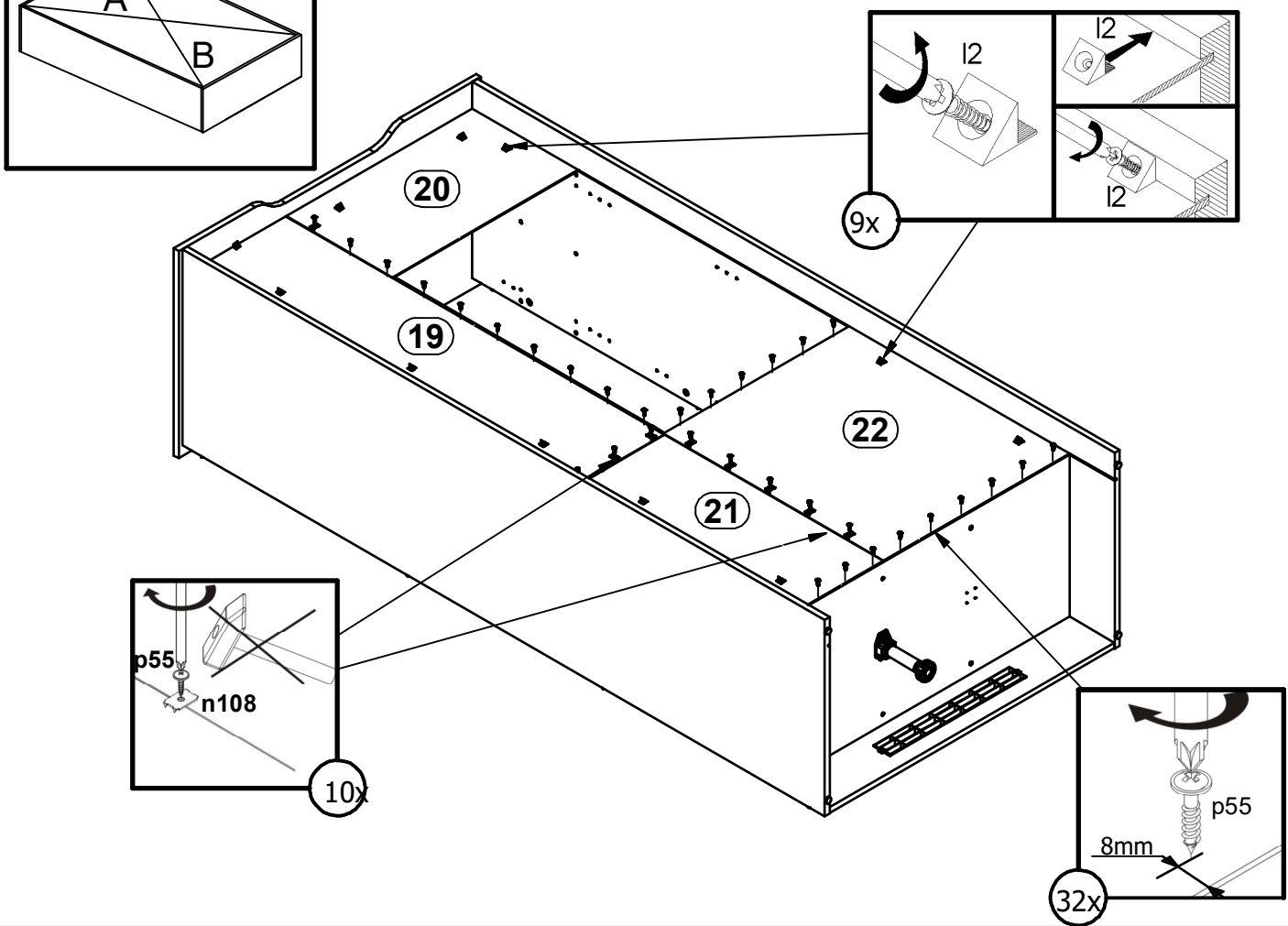


13 E**13 F**

14 A



14 B



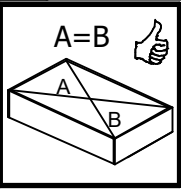
A

S538-REG3D

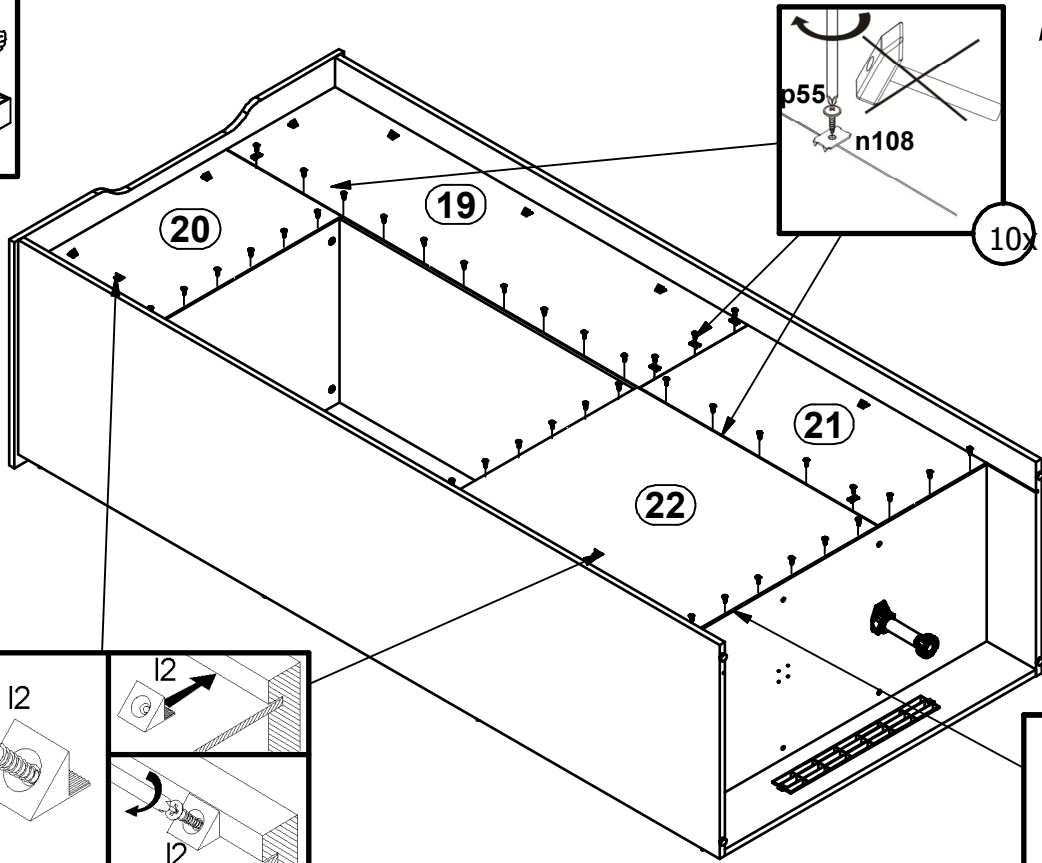
73-880---

84-882---

30 / 38



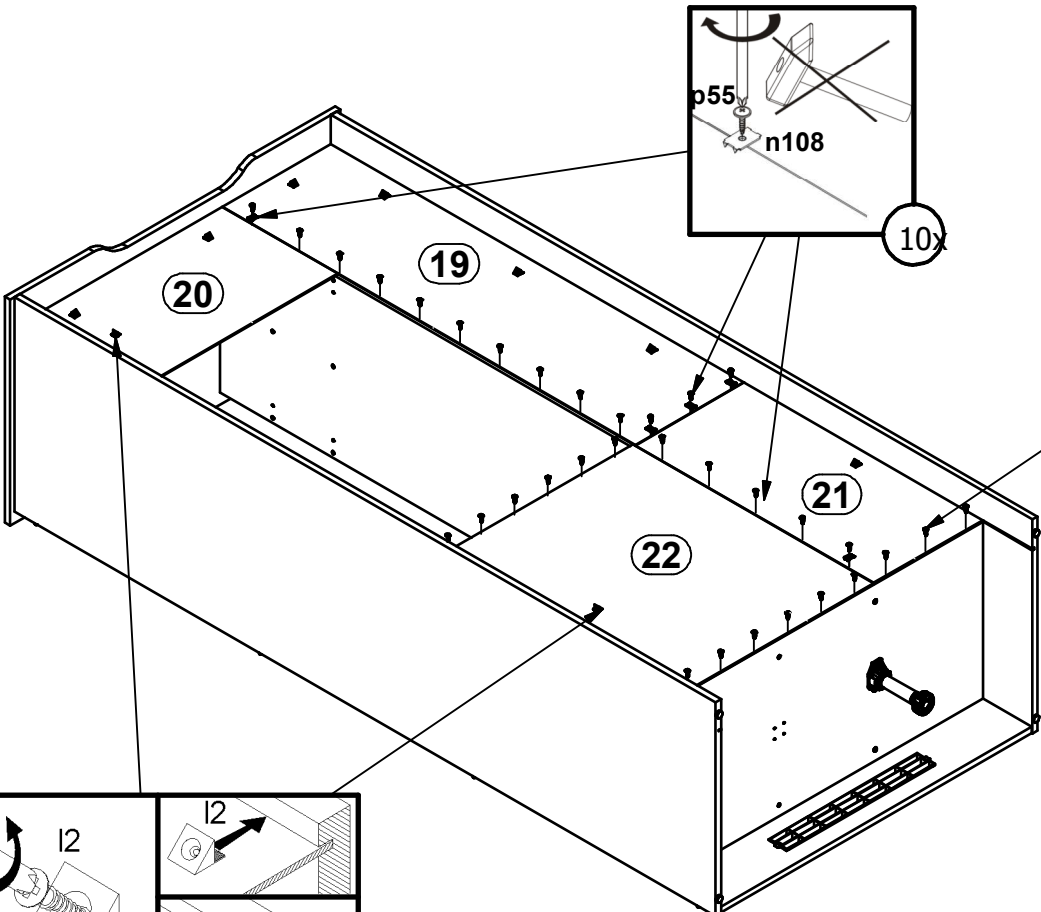
14 C



9x

32x

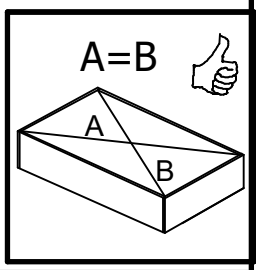
14 D



10x

32x

9x

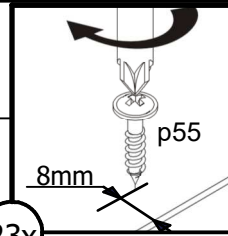
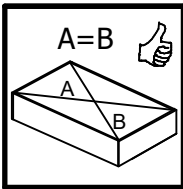


A

S538-REG3D

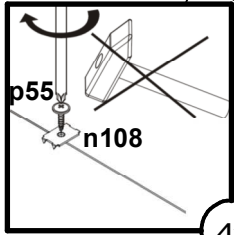
73-880--- 84-882---

31 /38

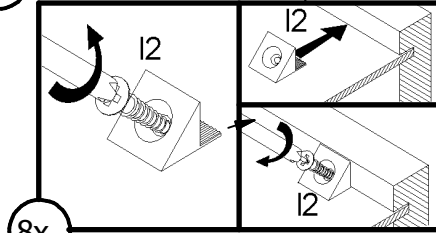


14 E

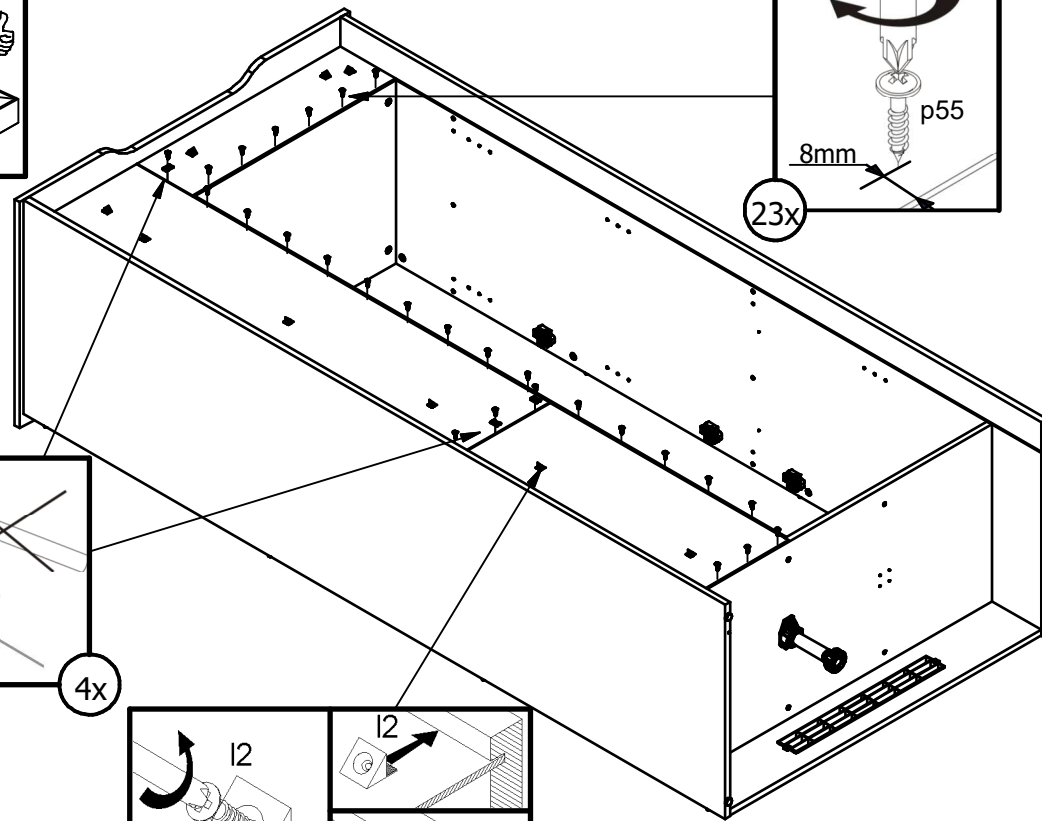
23x



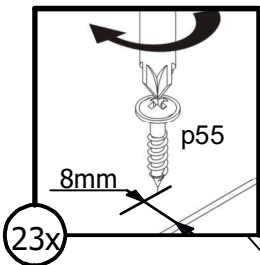
4x



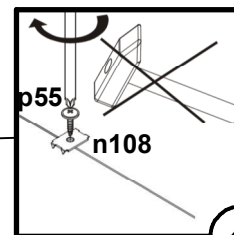
8x



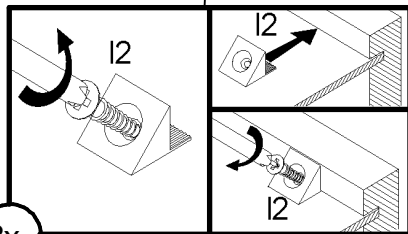
14 F



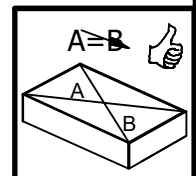
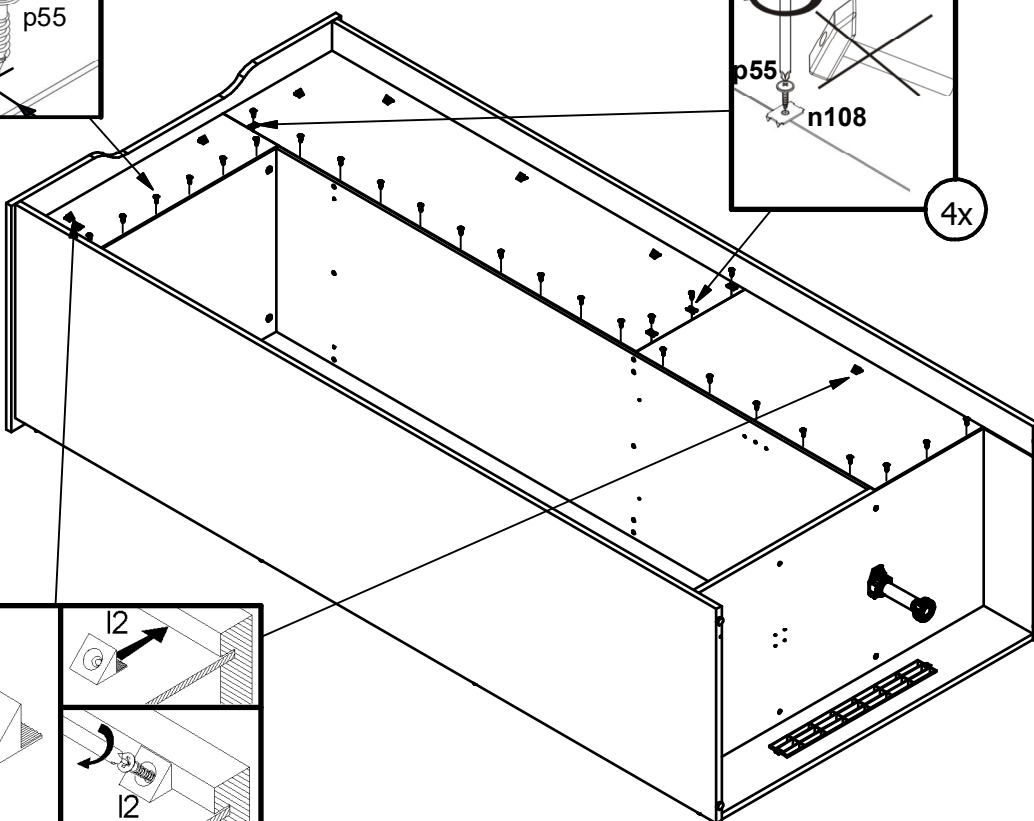
23x



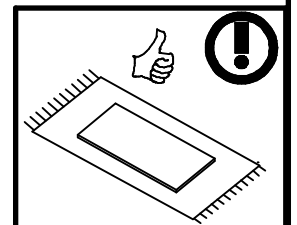
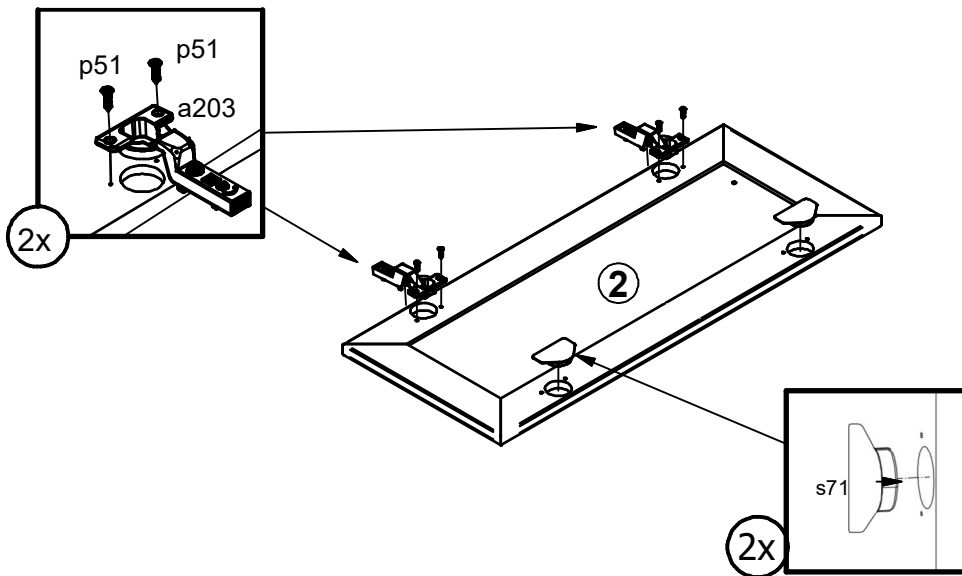
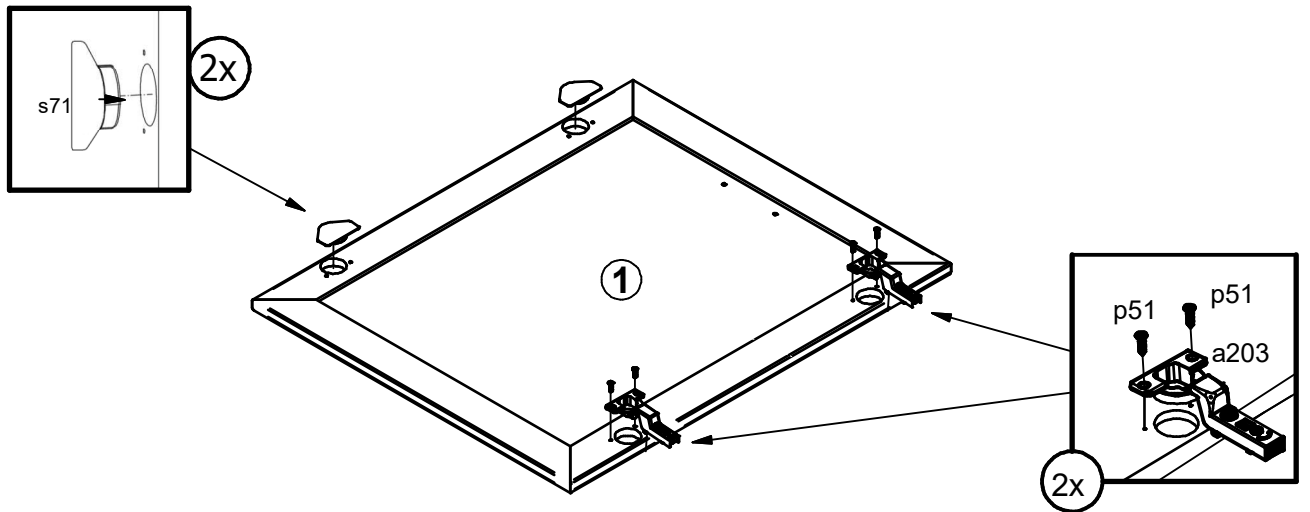
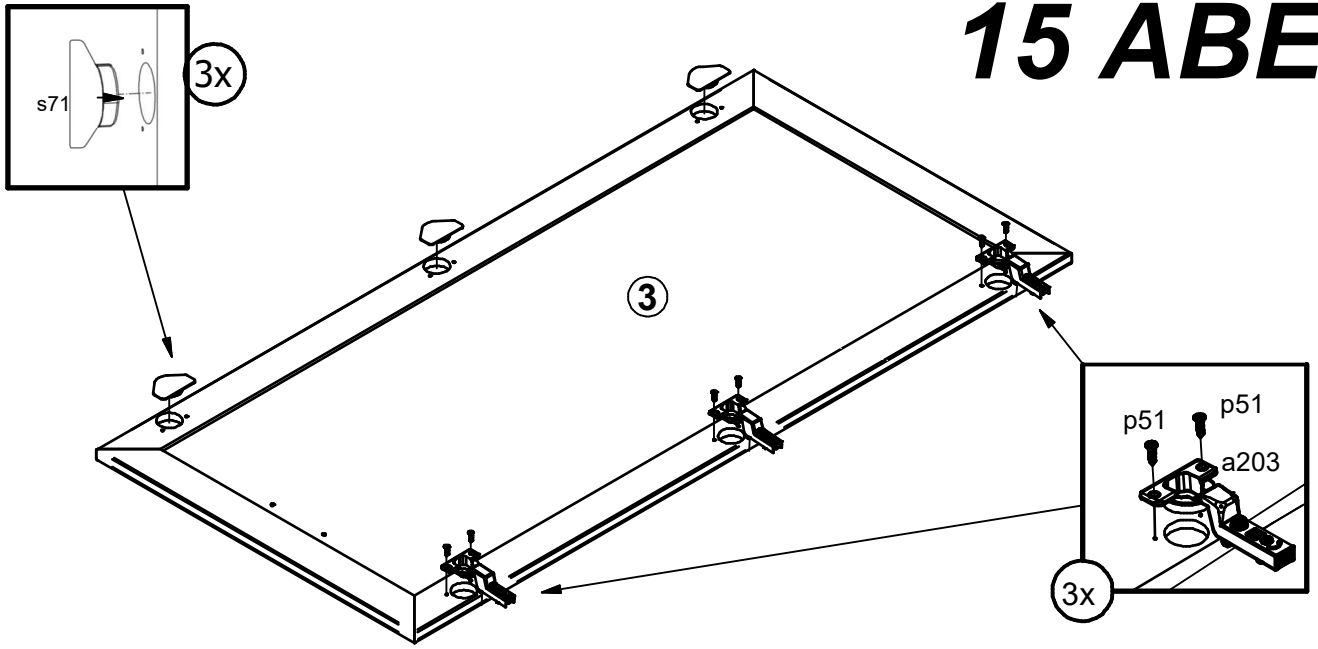
4x



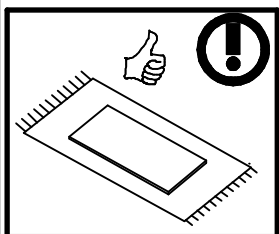
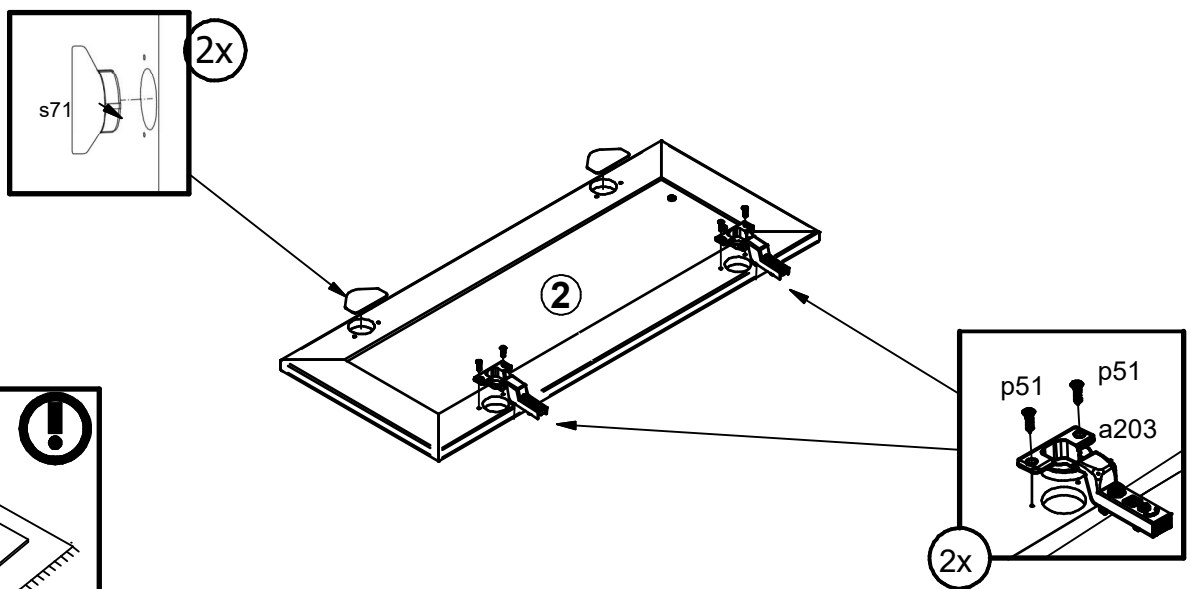
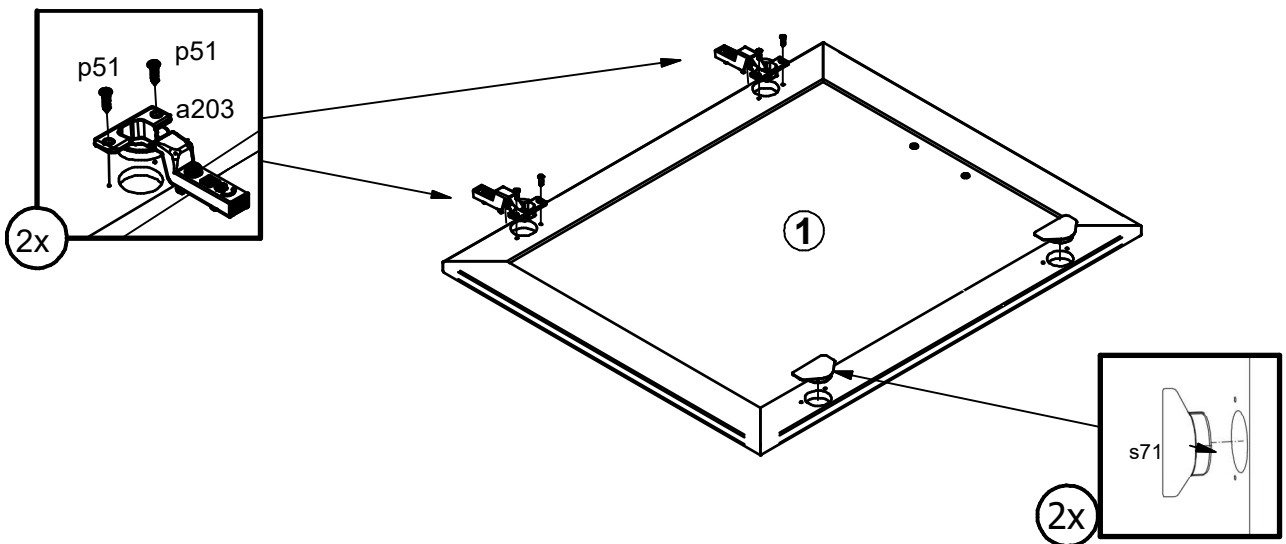
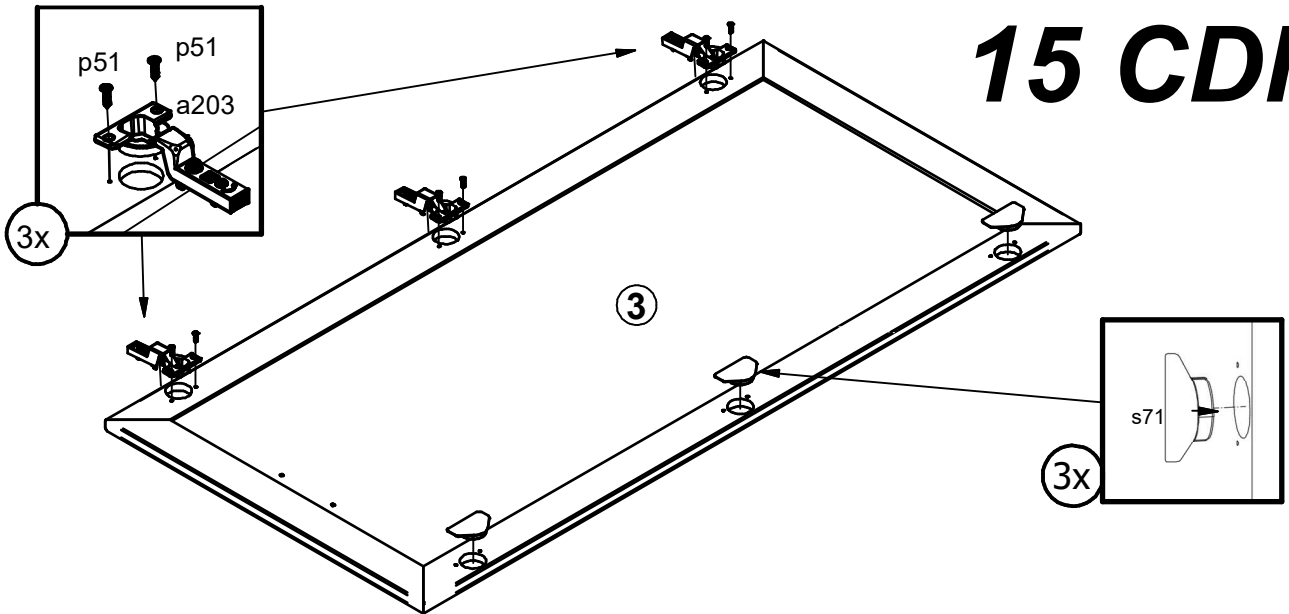
8x



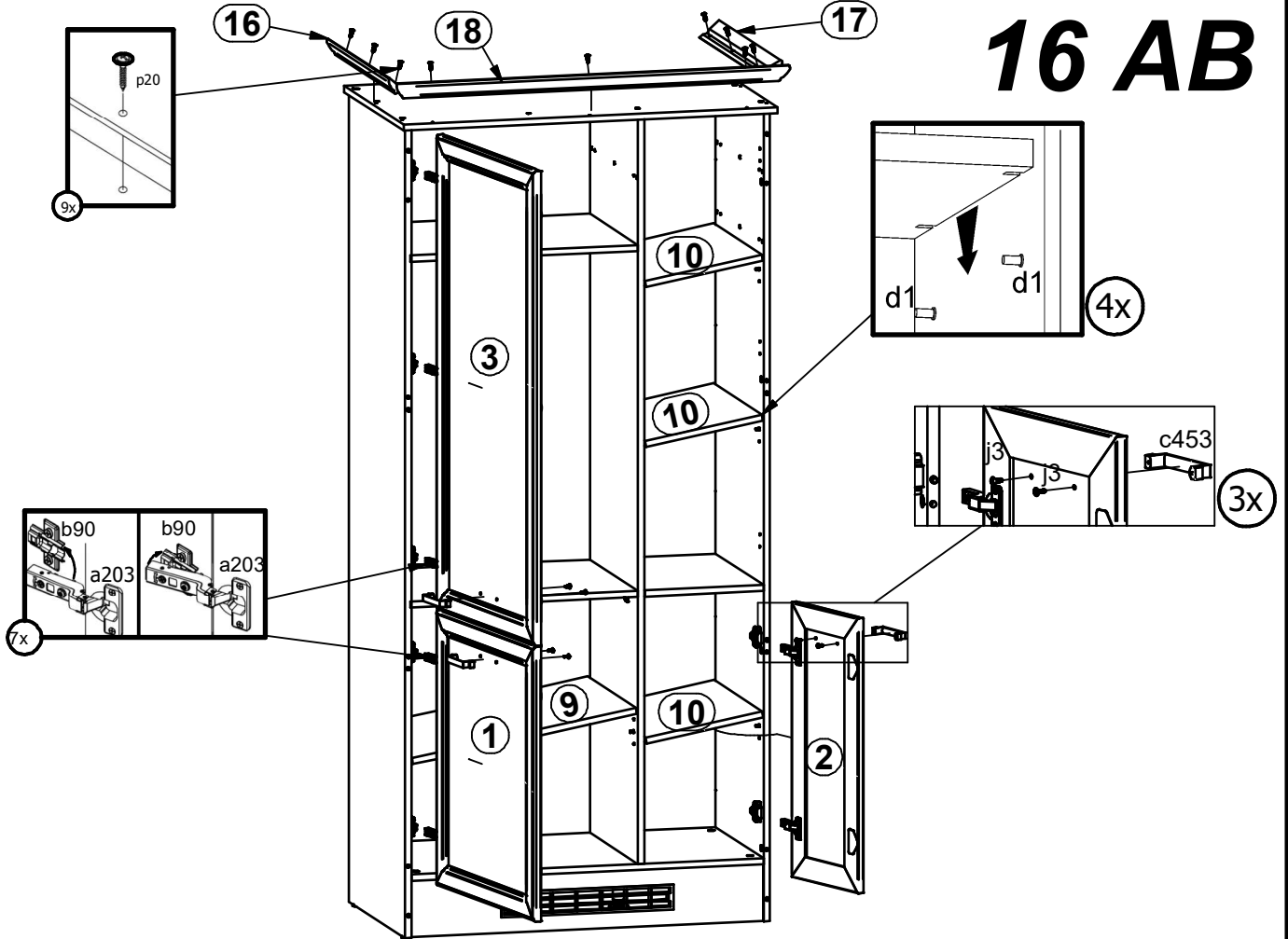
15 ABE



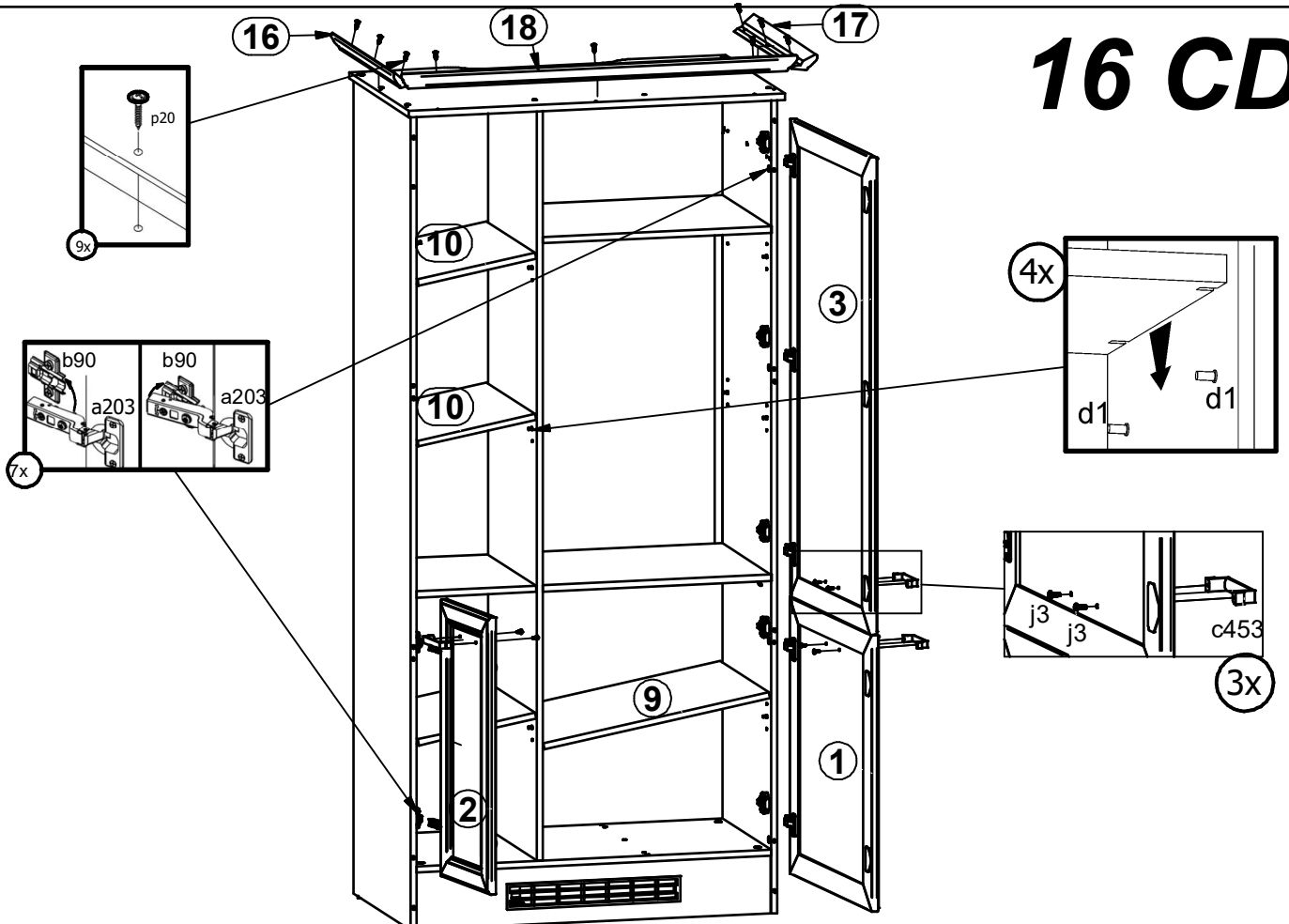
15 CDF



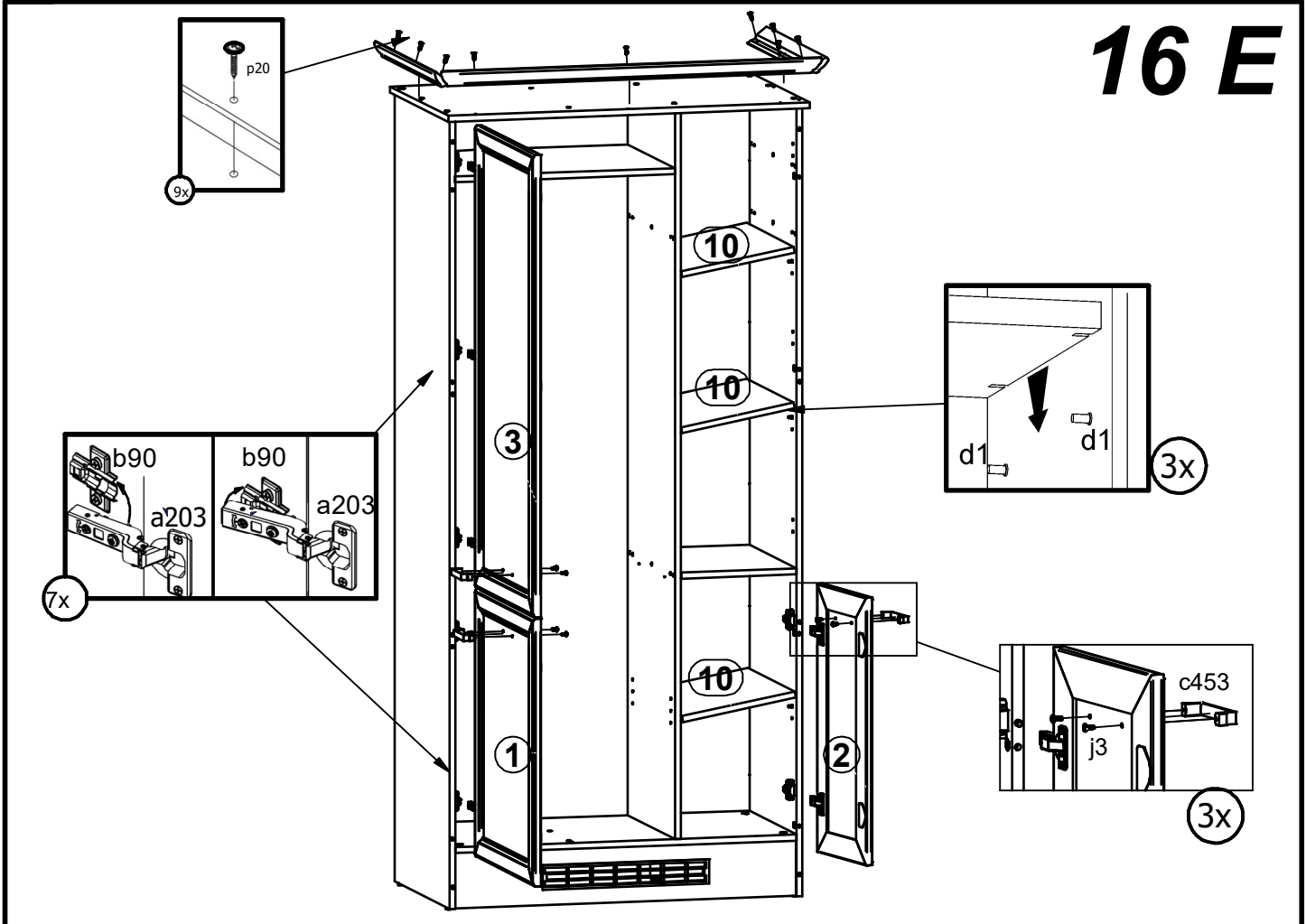
16 AB



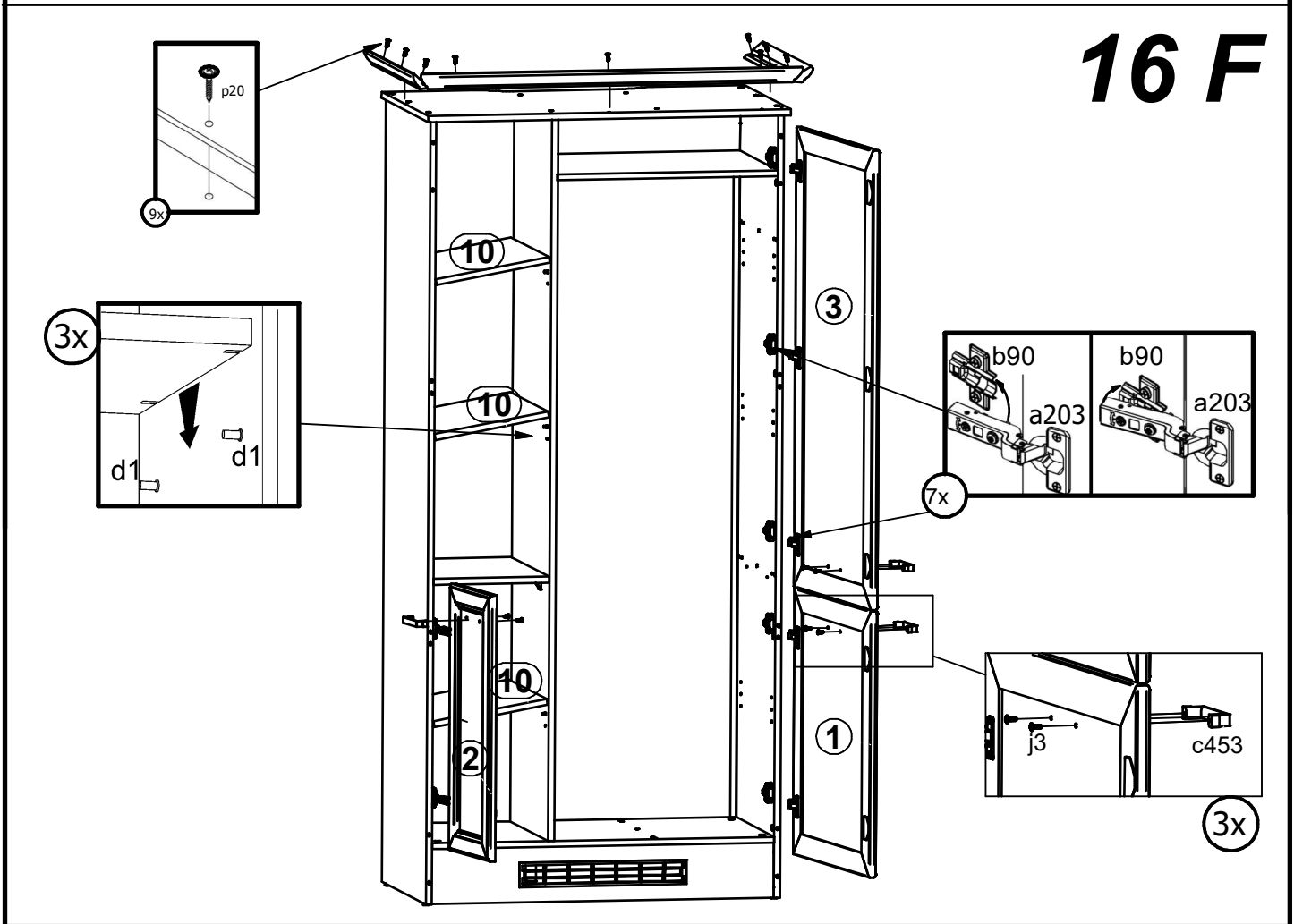
16 CD



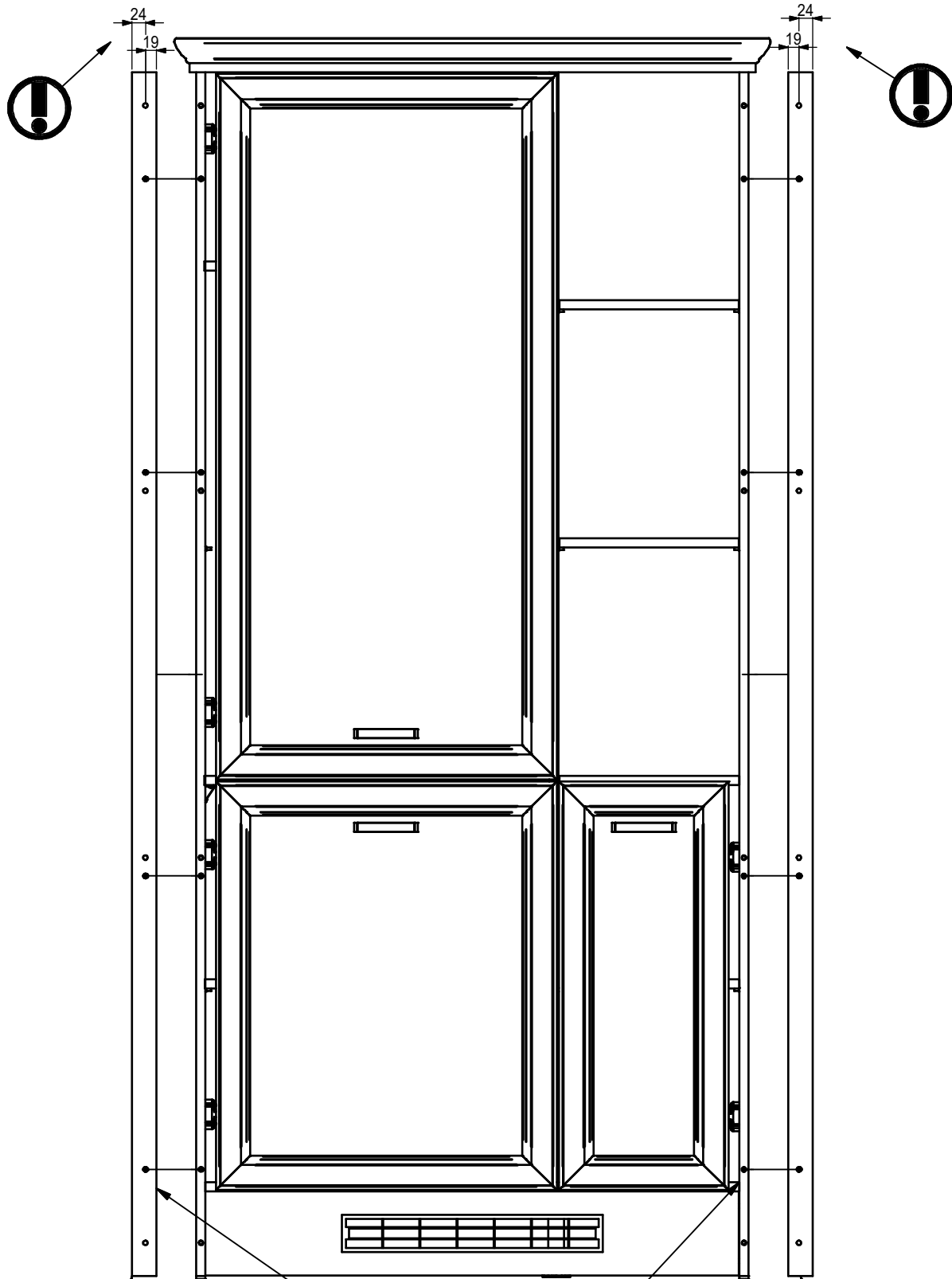
16 E



16 F

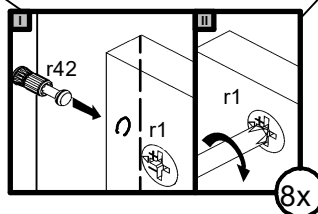


17ABE



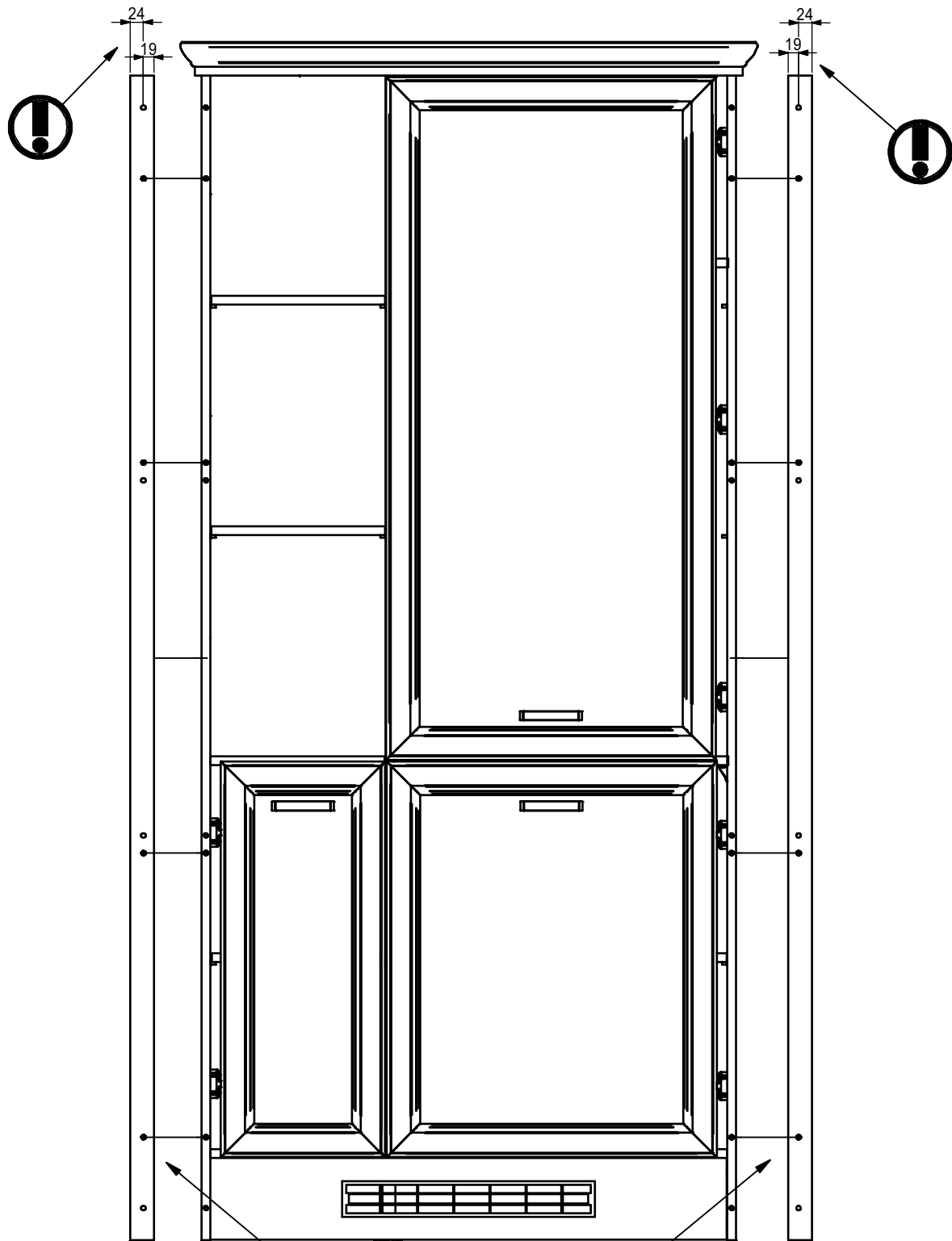
15

15



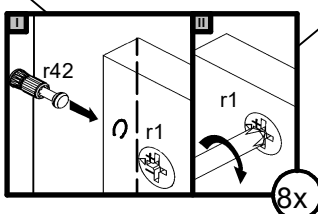
8x

17CDF



15

15



8x

