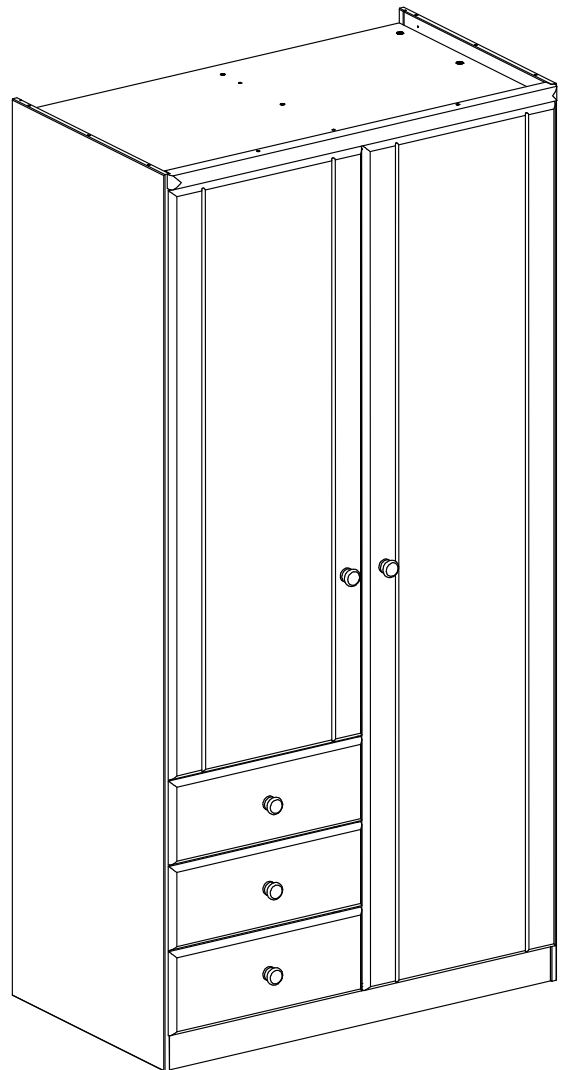


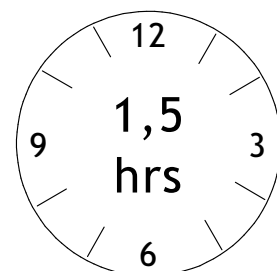
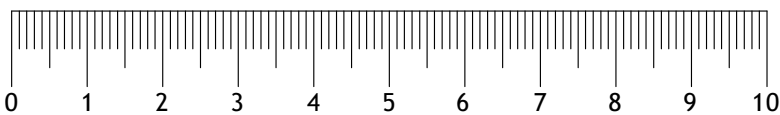
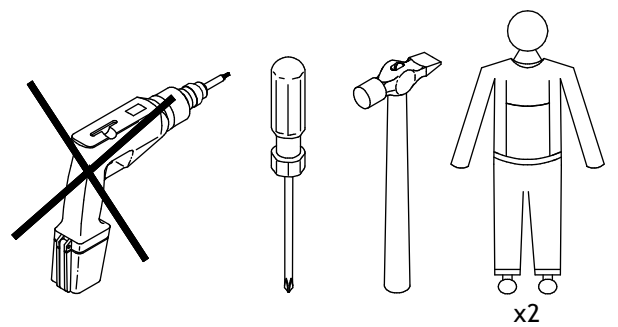
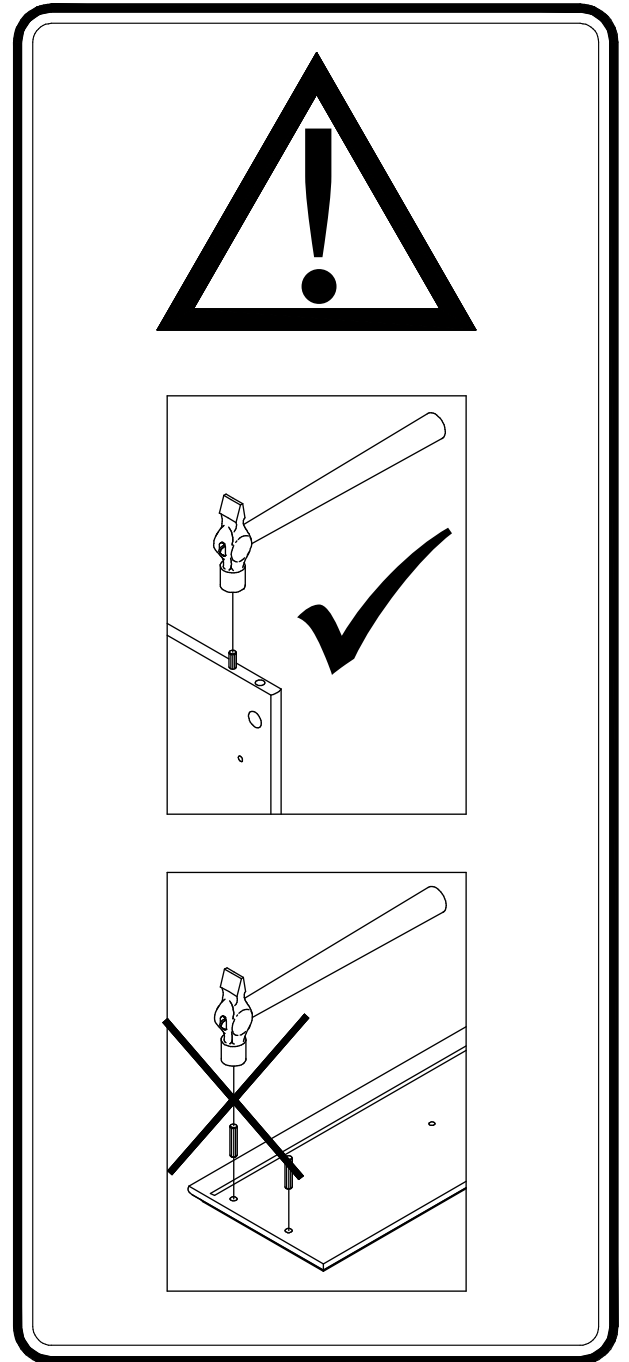
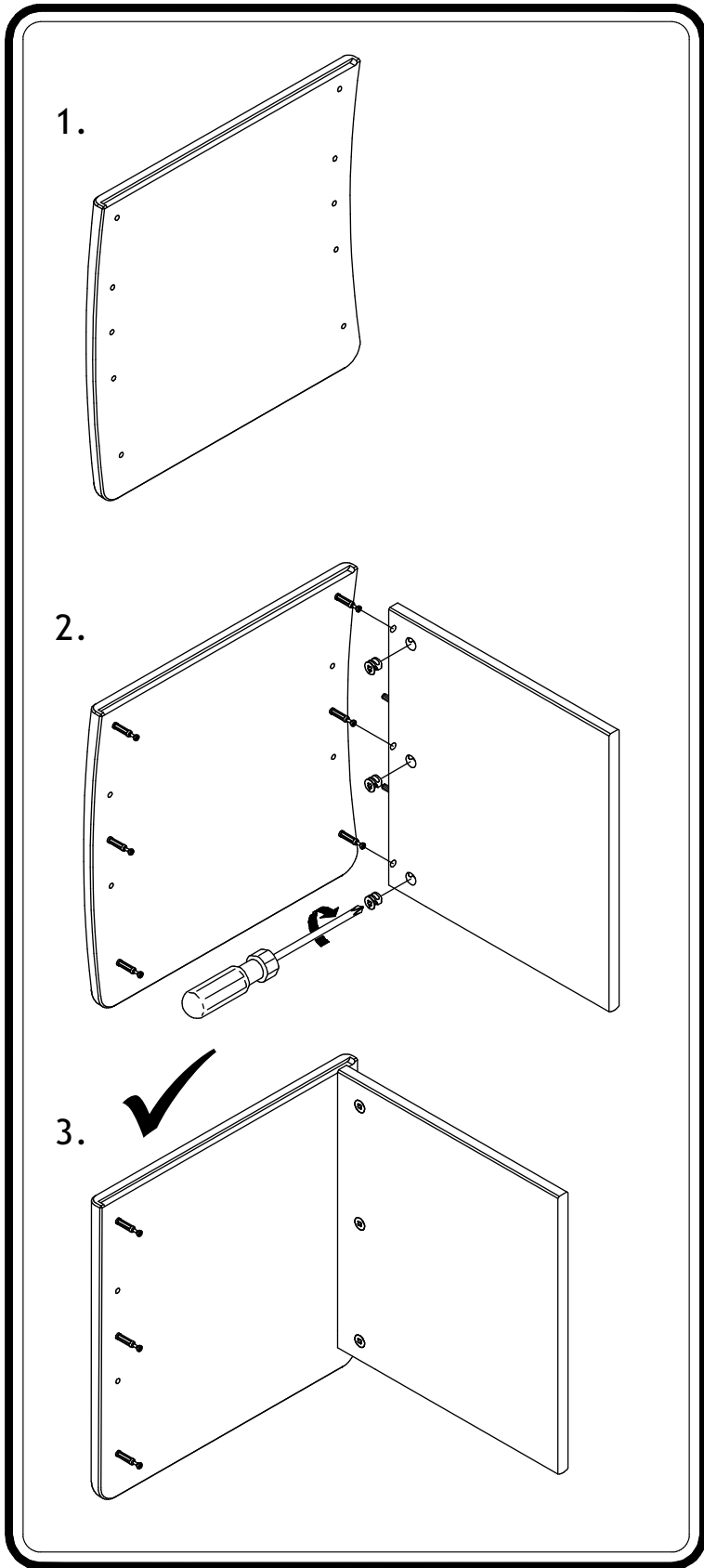
345106013

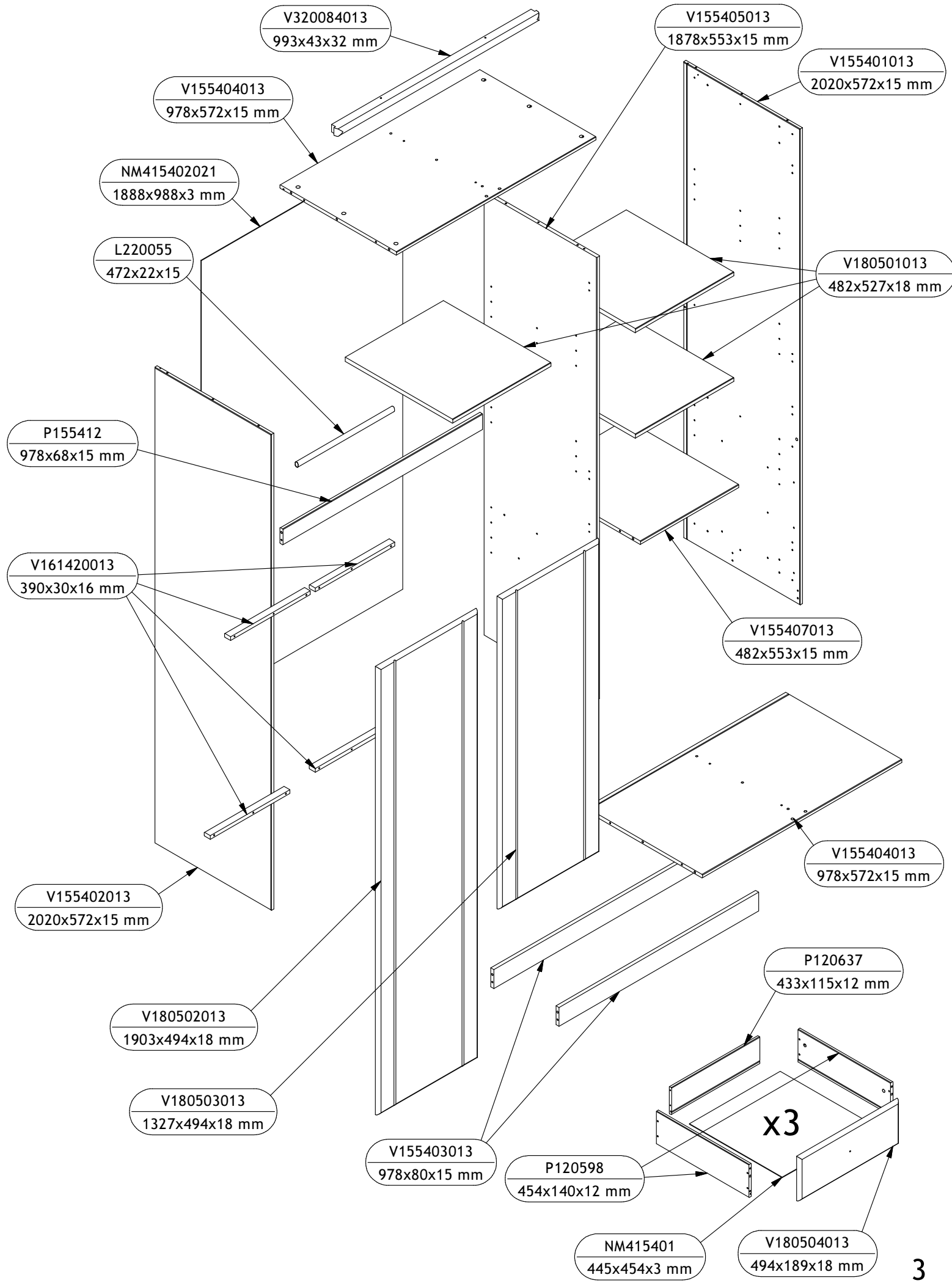


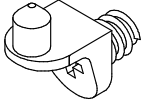
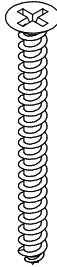

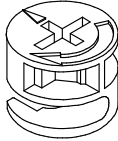
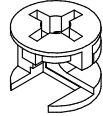
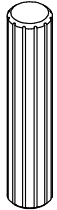
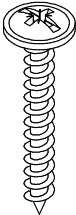
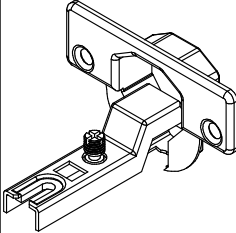
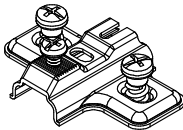

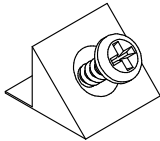
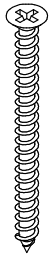
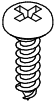
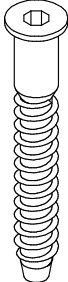


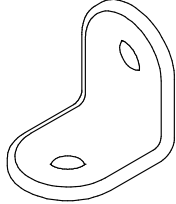
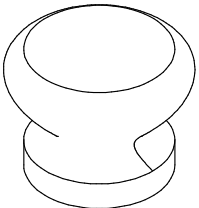
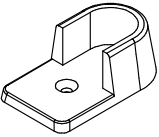
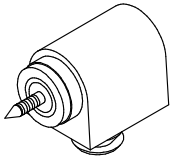

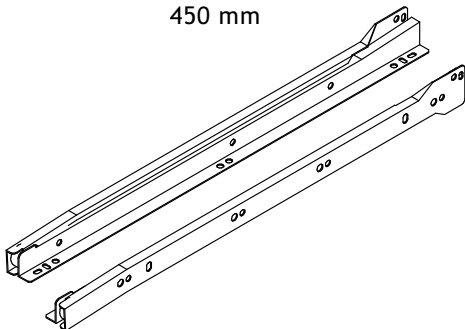
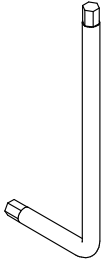
Version 1



Version 2

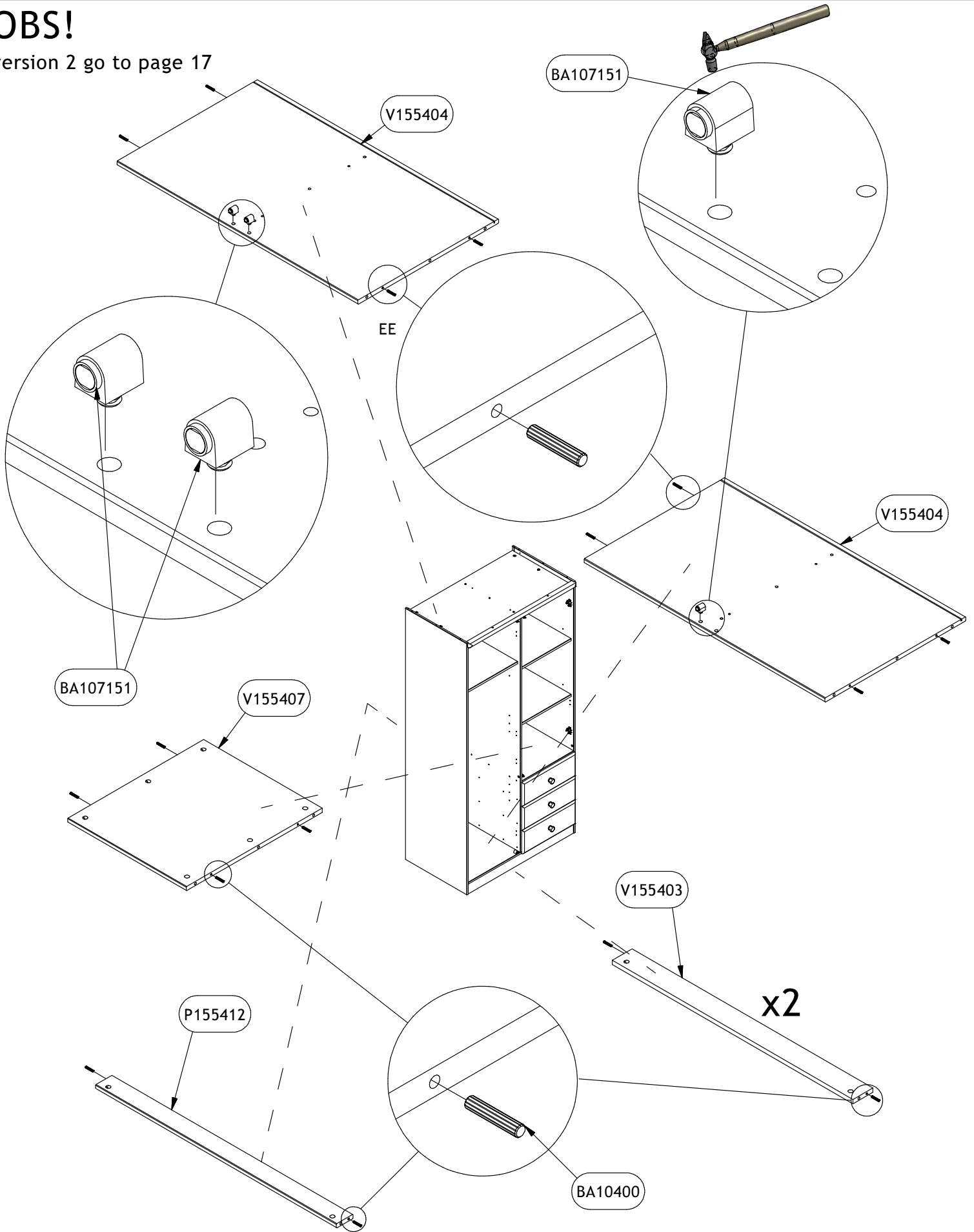


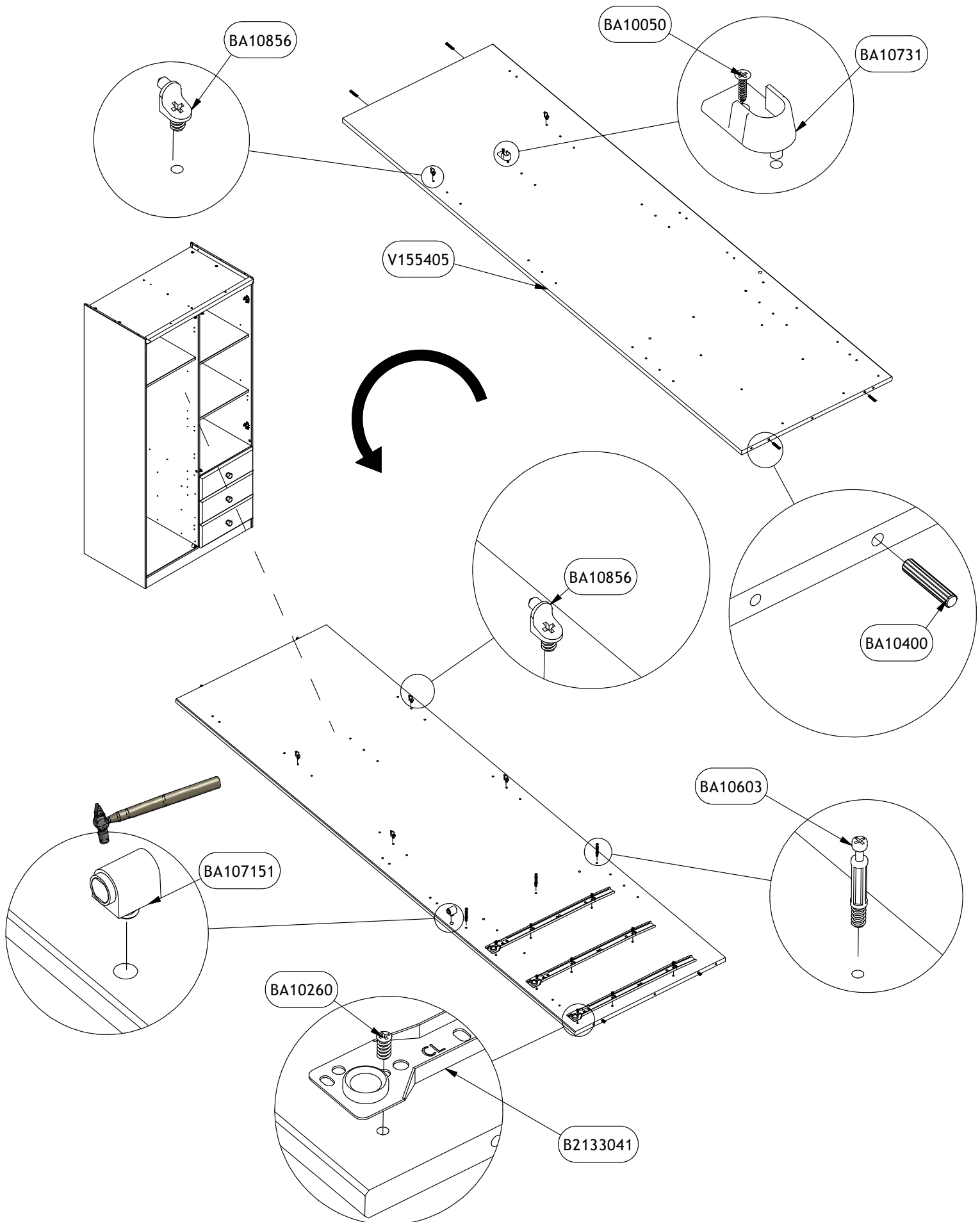


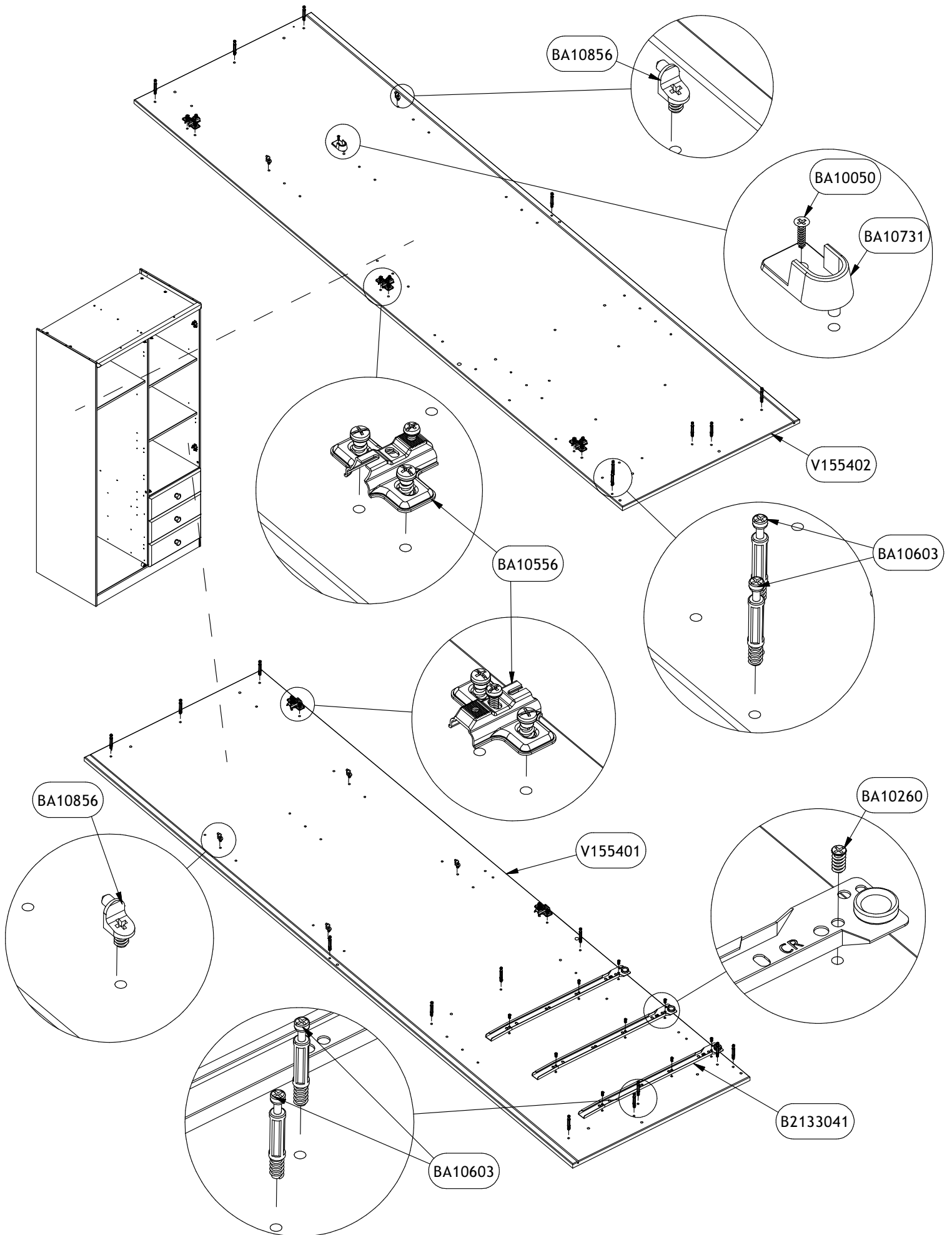
<p>BA10856 x12 14x10x14 mm</p> 	<p>BA10090 x12 ø4,0x40 mm</p> 	<p>BA10603 x30 ø5/11x34 mm</p> 	<p>BA10570 x24 ø15x12 mm</p> 	<p>BA10596 x6 ø12x9,5 mm</p> 	<p>BA10400 x34 ø6x30 mm</p> 
<p>BA10170 x17 ø4,0x35 mm</p> 	<p>BA10549 x5 Ø35</p> 	<p>BA10556 x5 2 mm/37 mm</p> 	<p>BA10050 x14 ø3,5x15 mm</p> 	<p>BA10833 x8 15x15x10 mm</p> 	<p>BA10150 x2 ø4,5x45 mm</p> 
<p>BA10109 x12 ø3,5x11 mm</p> 	<p>BA10310 x6 ø7x50 mm</p> 	<p>BA10260 x18 ø5,8x11</p> 	<p>BA10025 x25 ø1,2x20 mm</p> 	<p>BA10849 x1 20x20x2</p> 	<p>BA10468013 x5 ø40x30 mm</p> 
<p>BA10731 x2 15x22 mm</p> 	<p>BA107151 x4 ø10</p> 	<p>BA103442 x4 ø13 mm</p> 	<p>B2133041 x3 450 mm</p> 		<p>BA10680 x1 4 mm</p> 

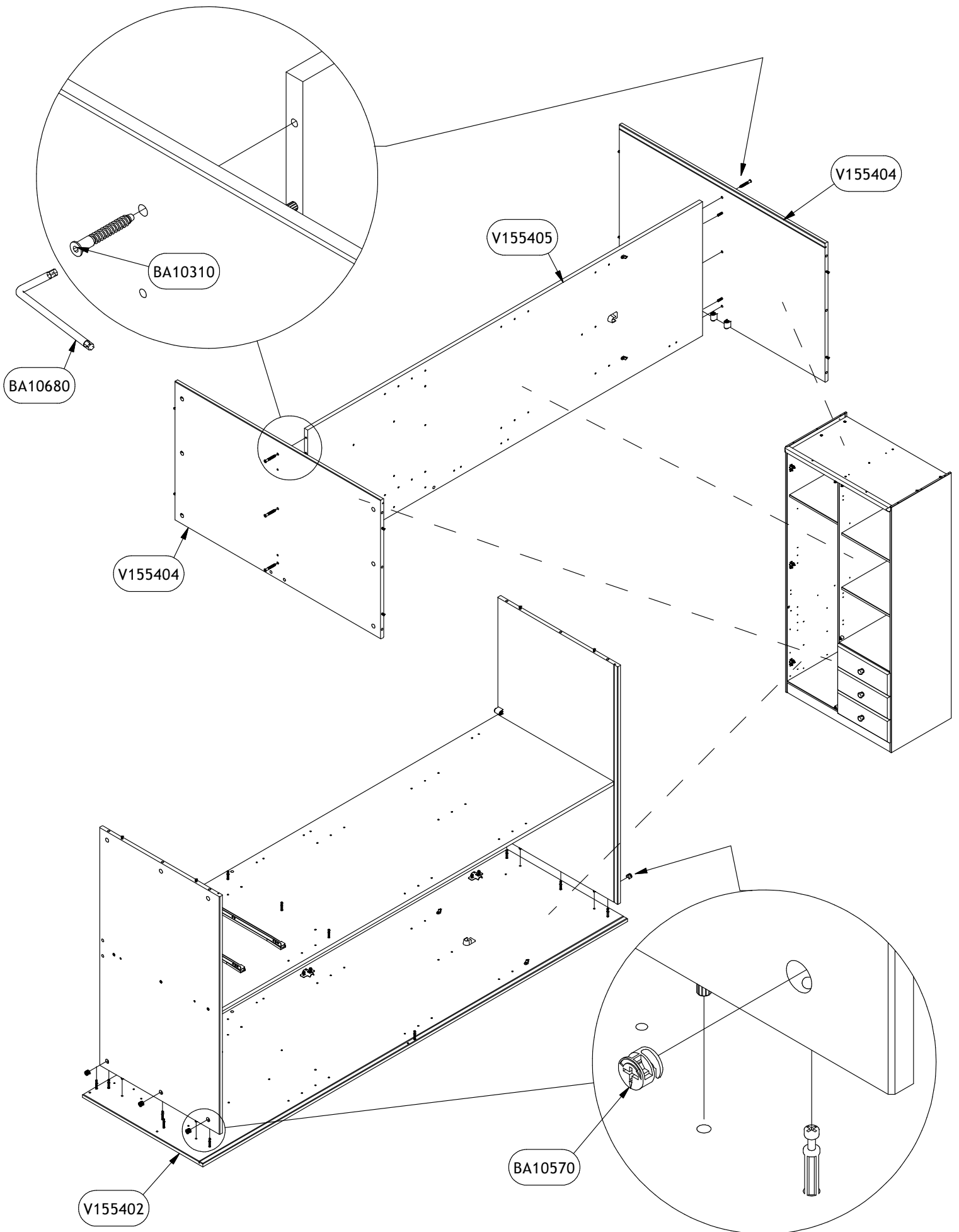
OBS!

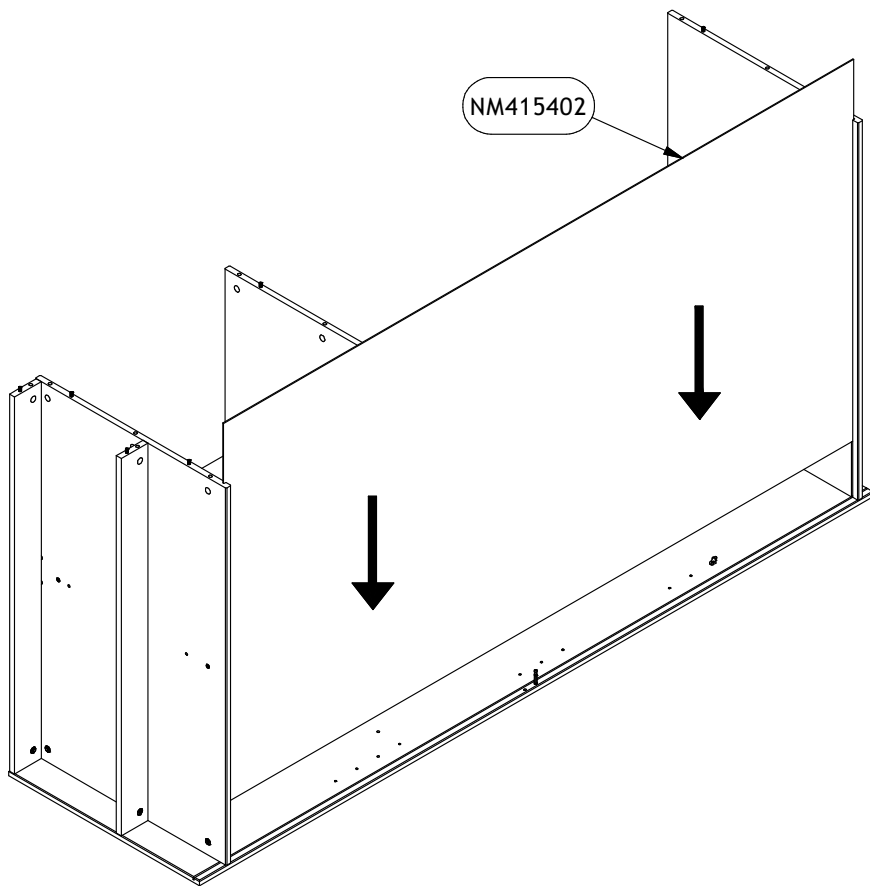
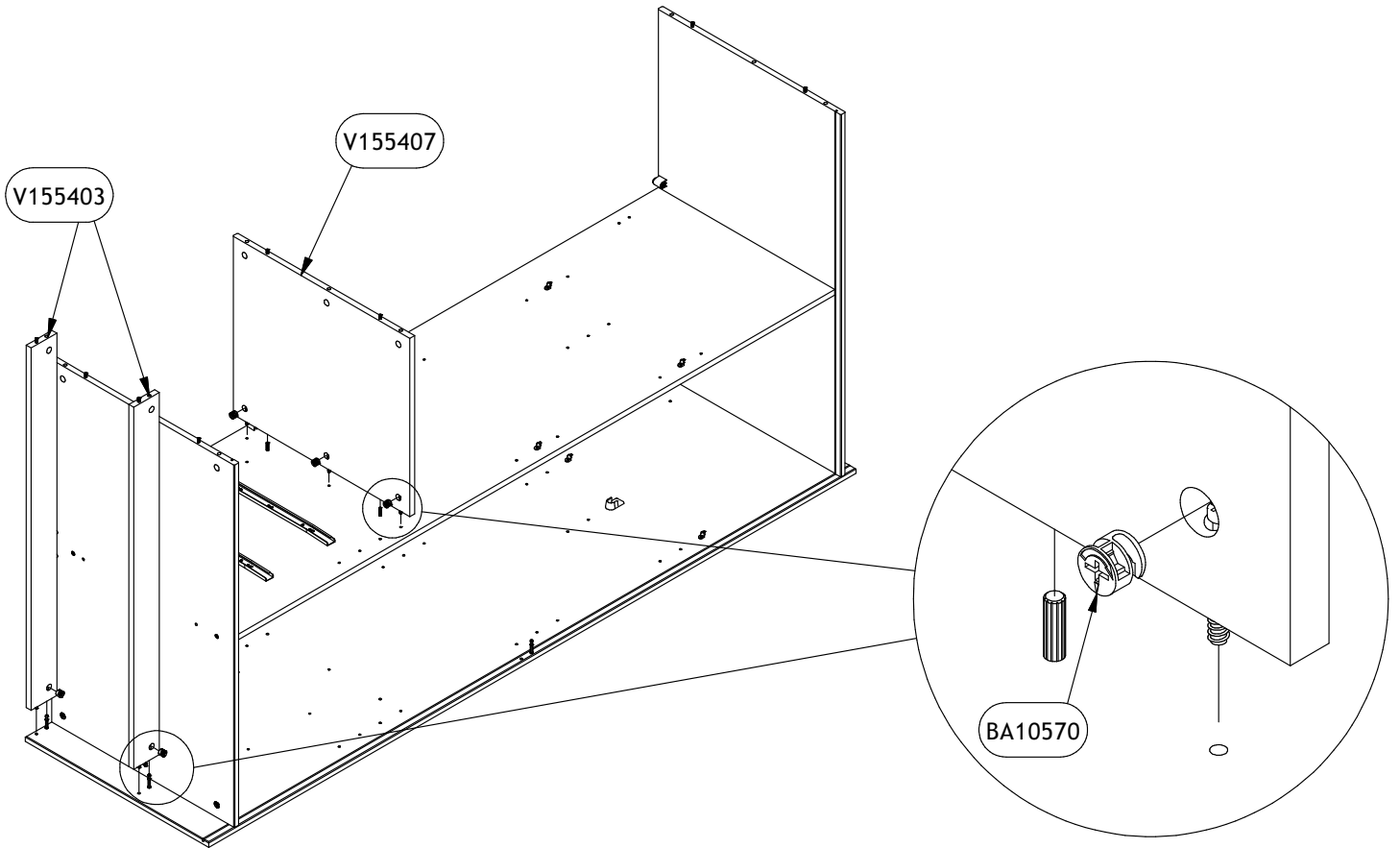
version 2 go to page 17

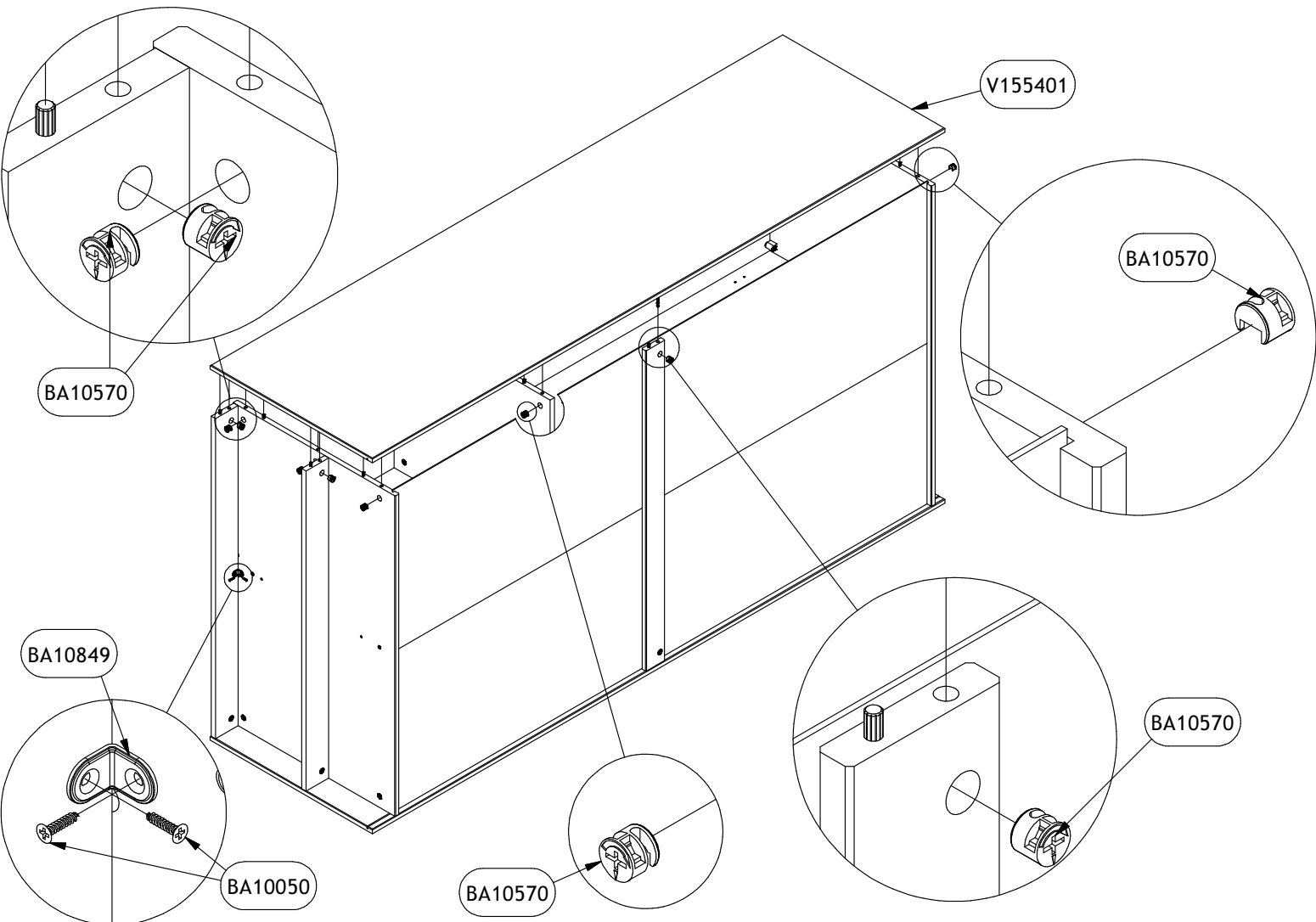
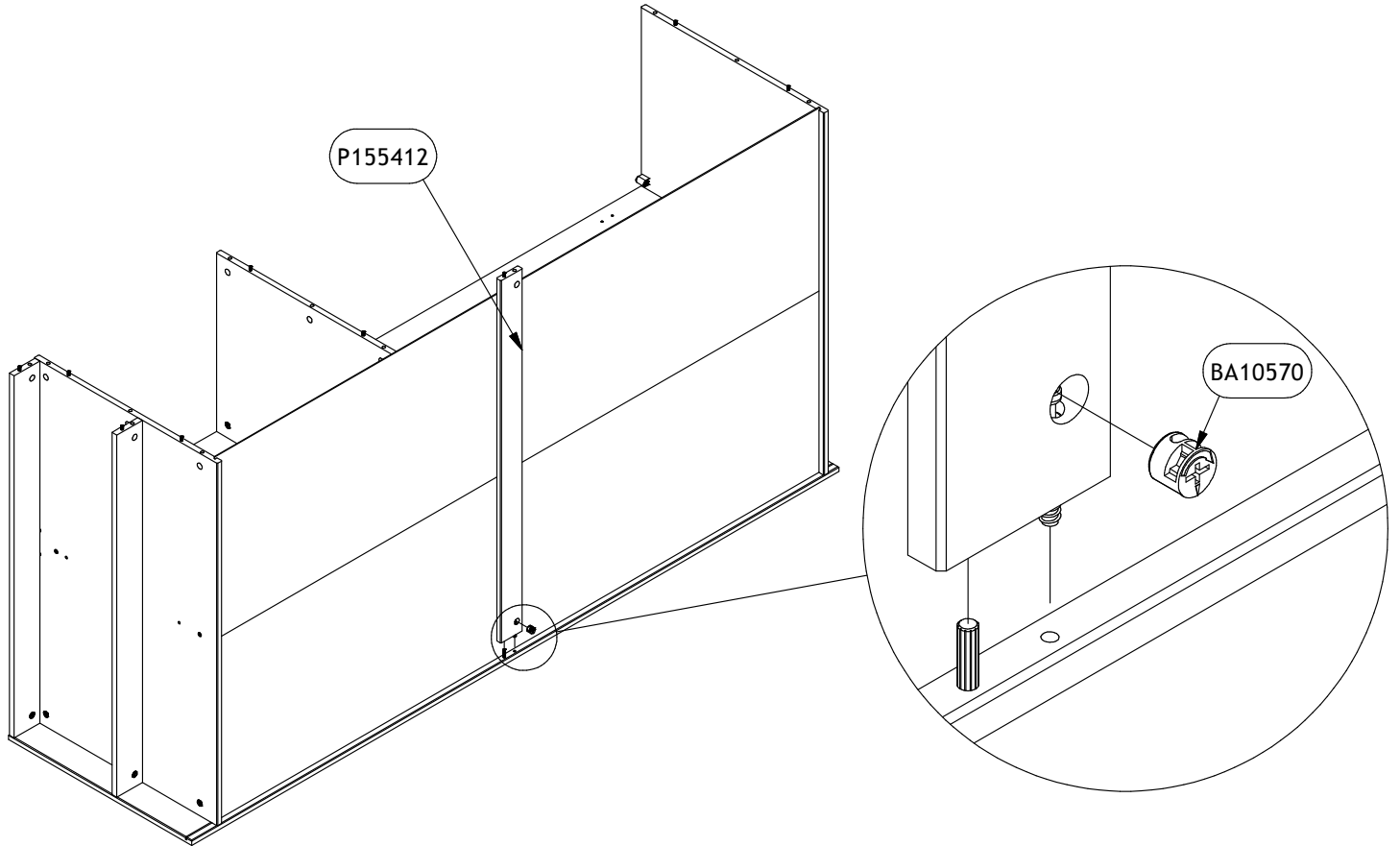


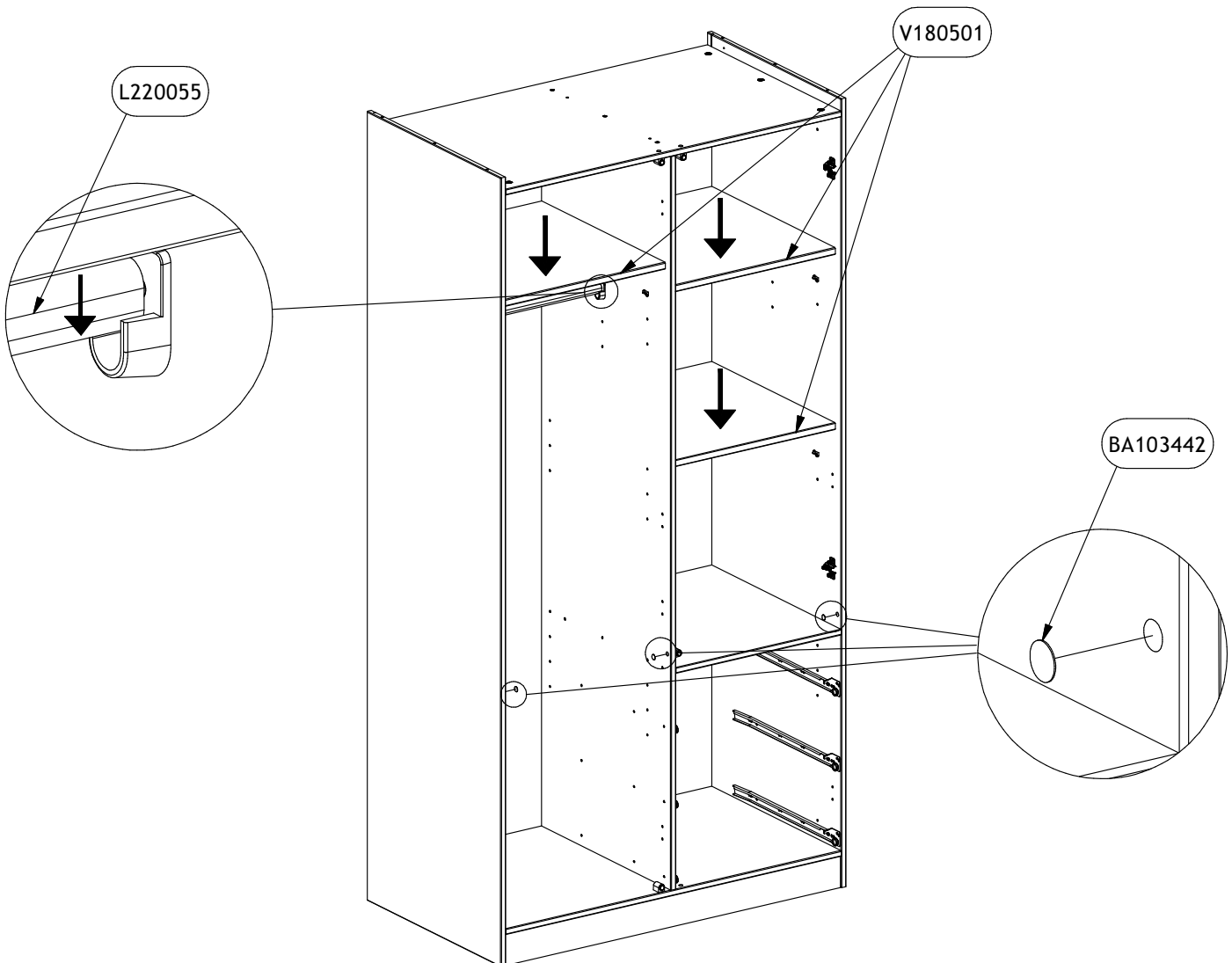
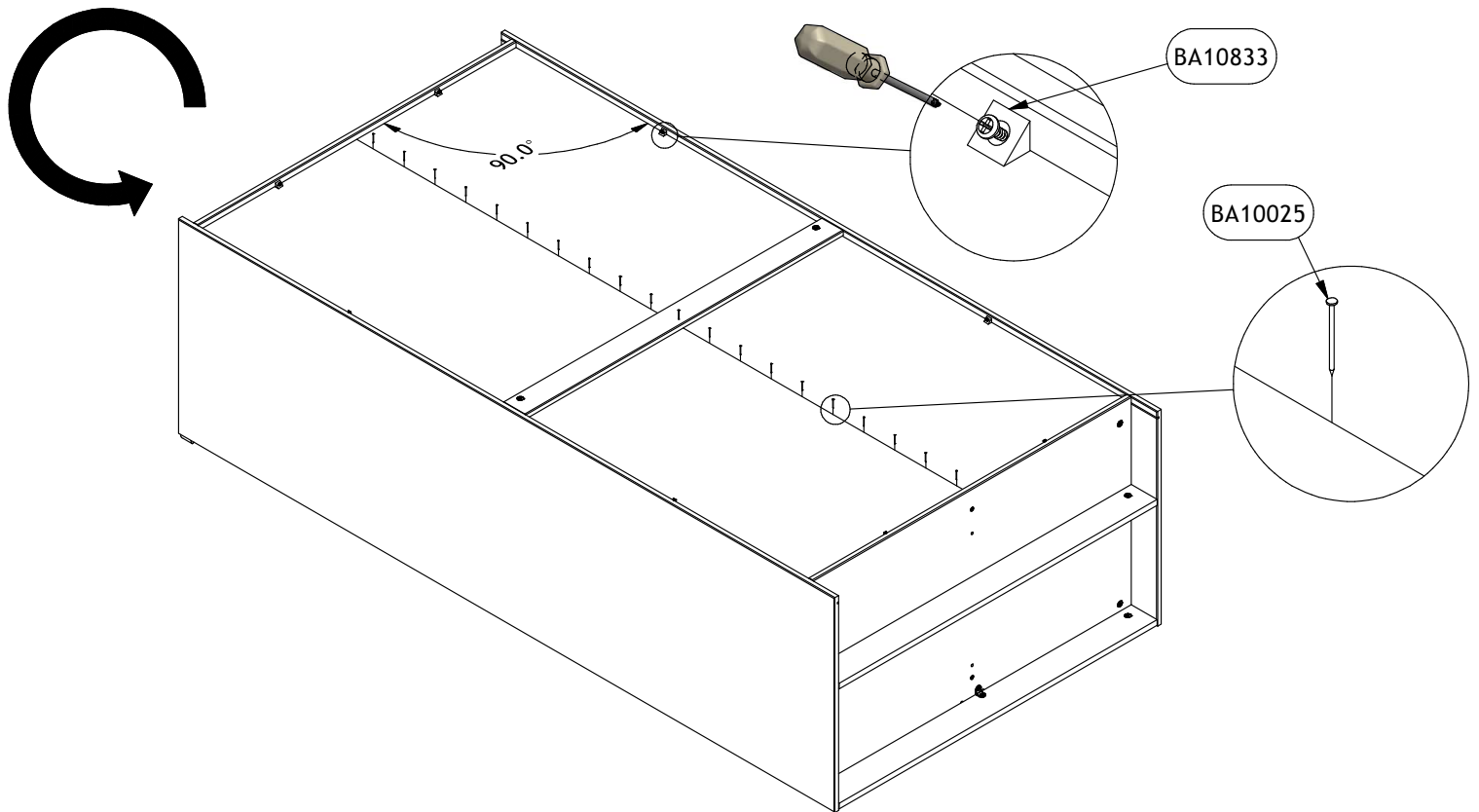


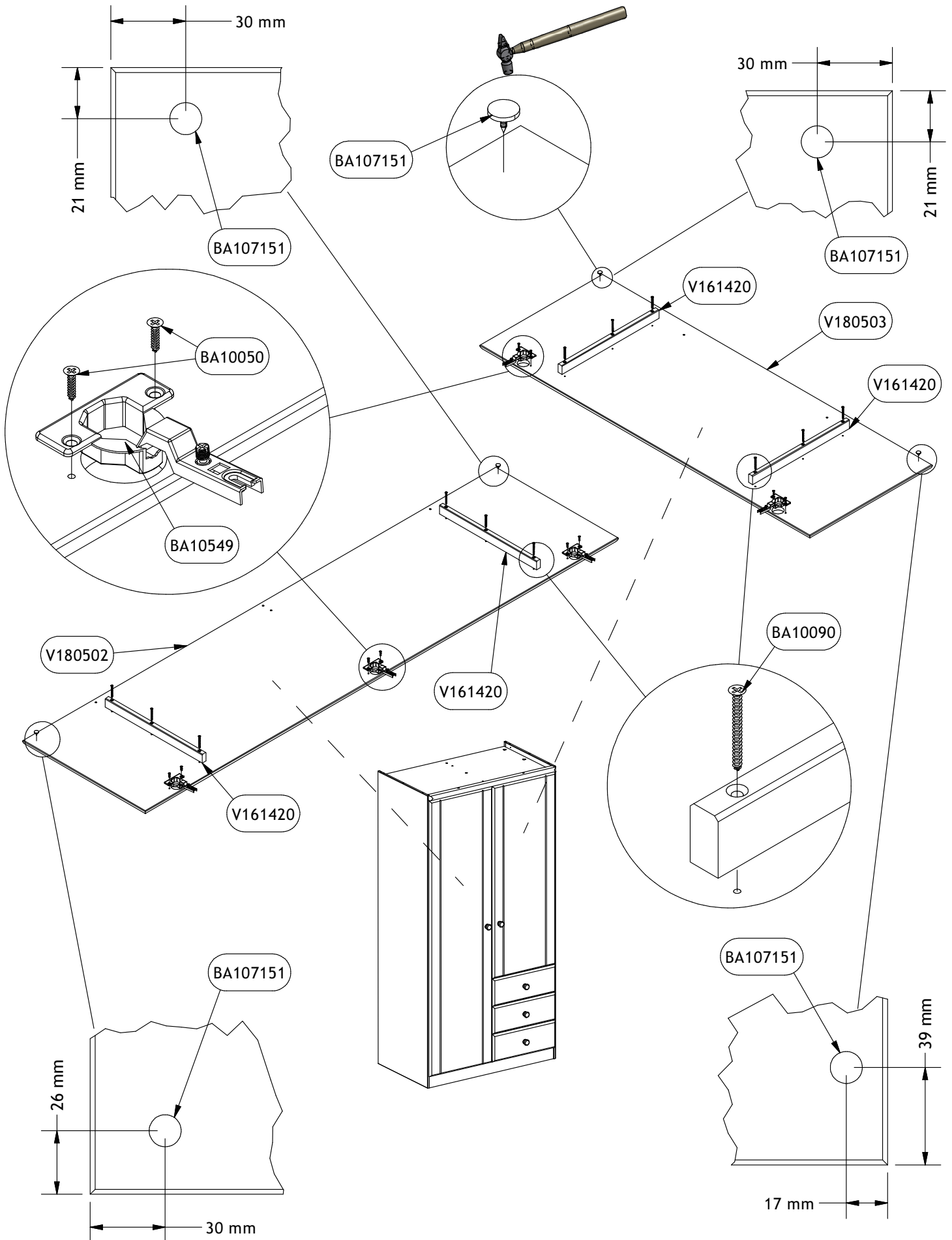


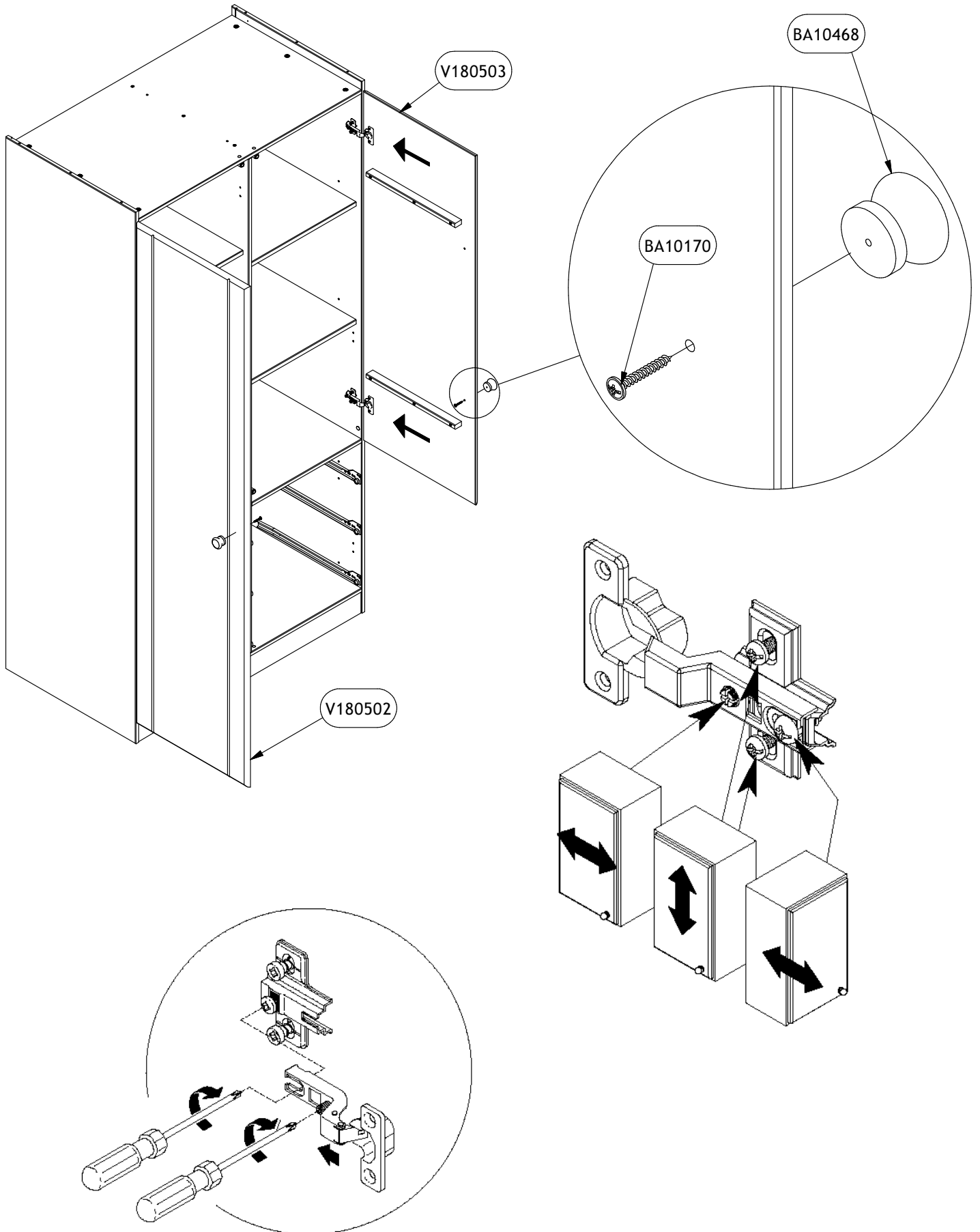


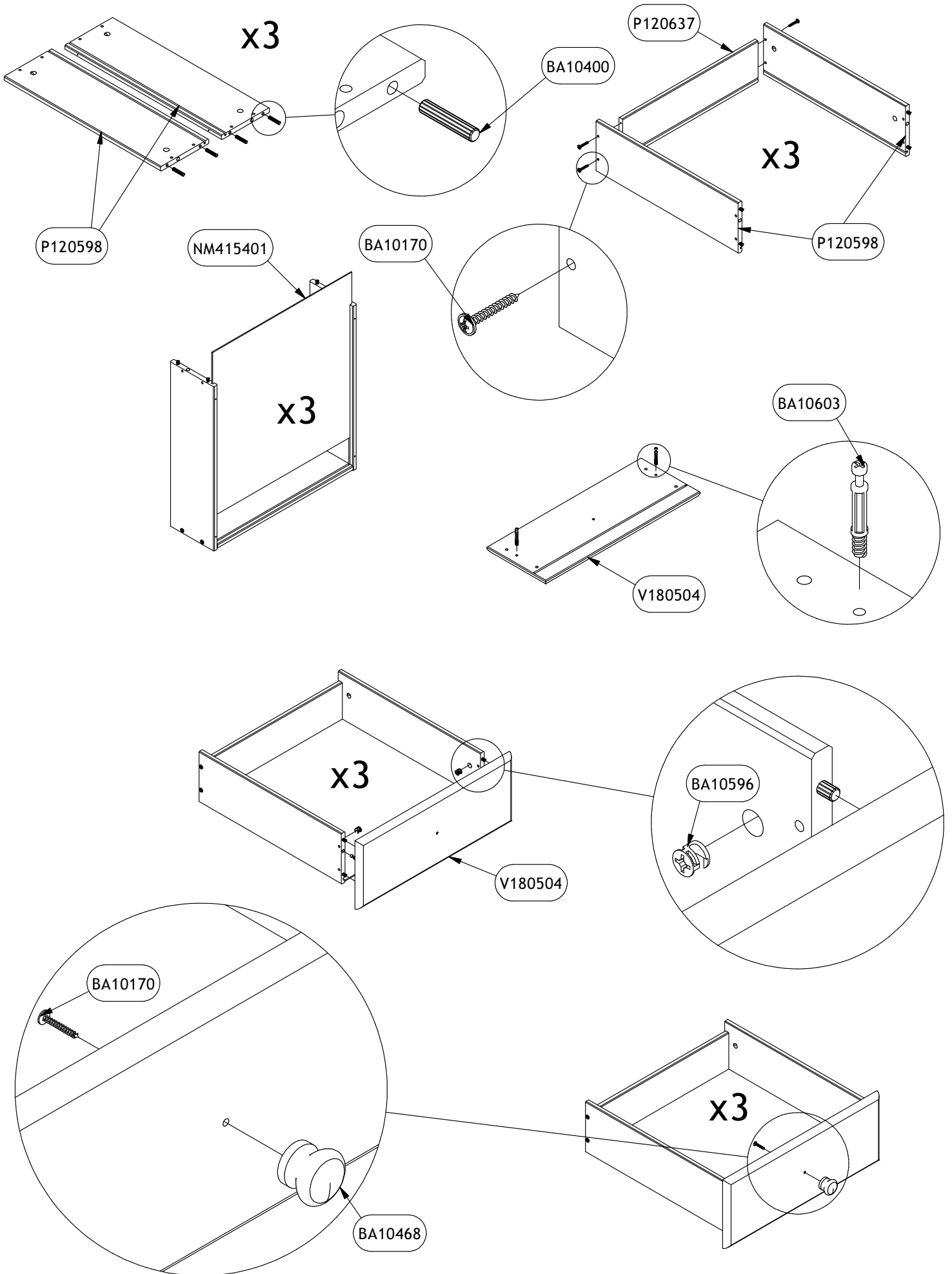


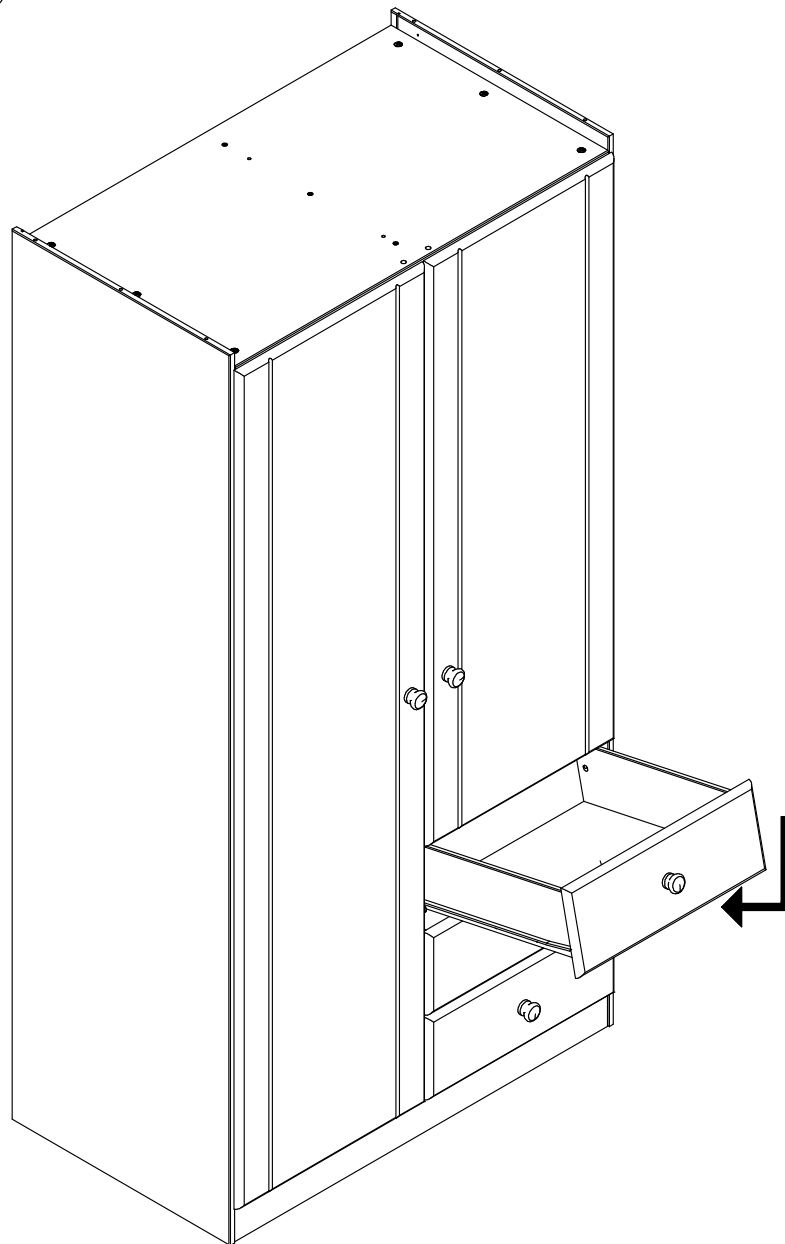
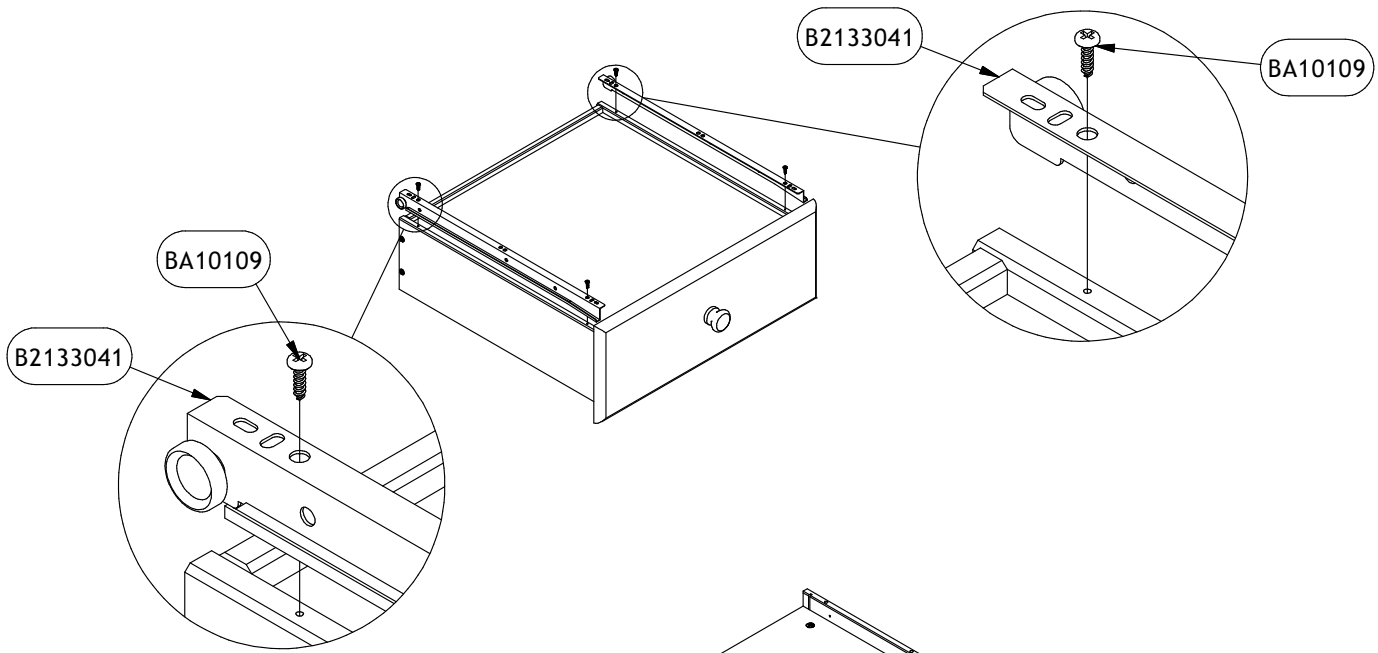


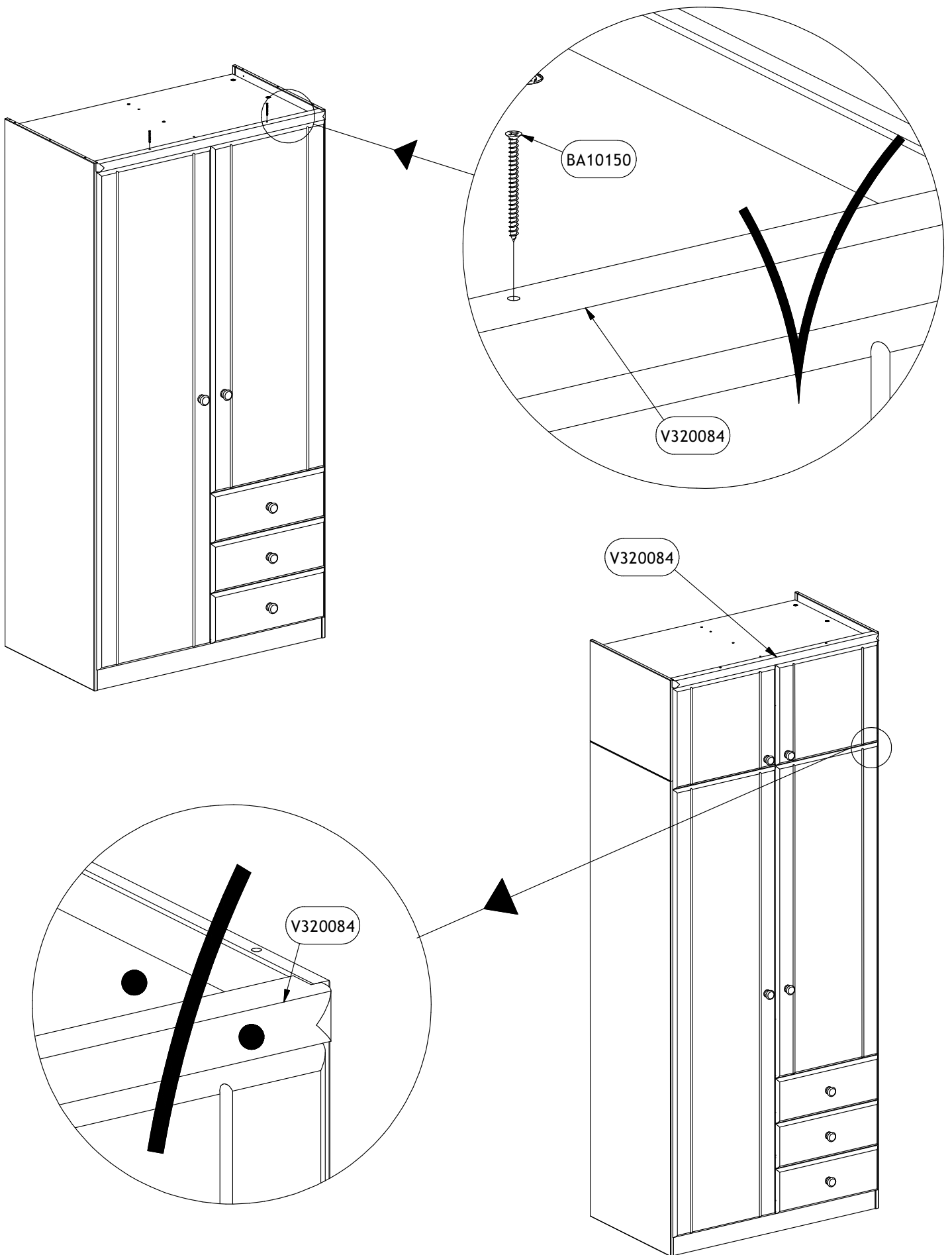




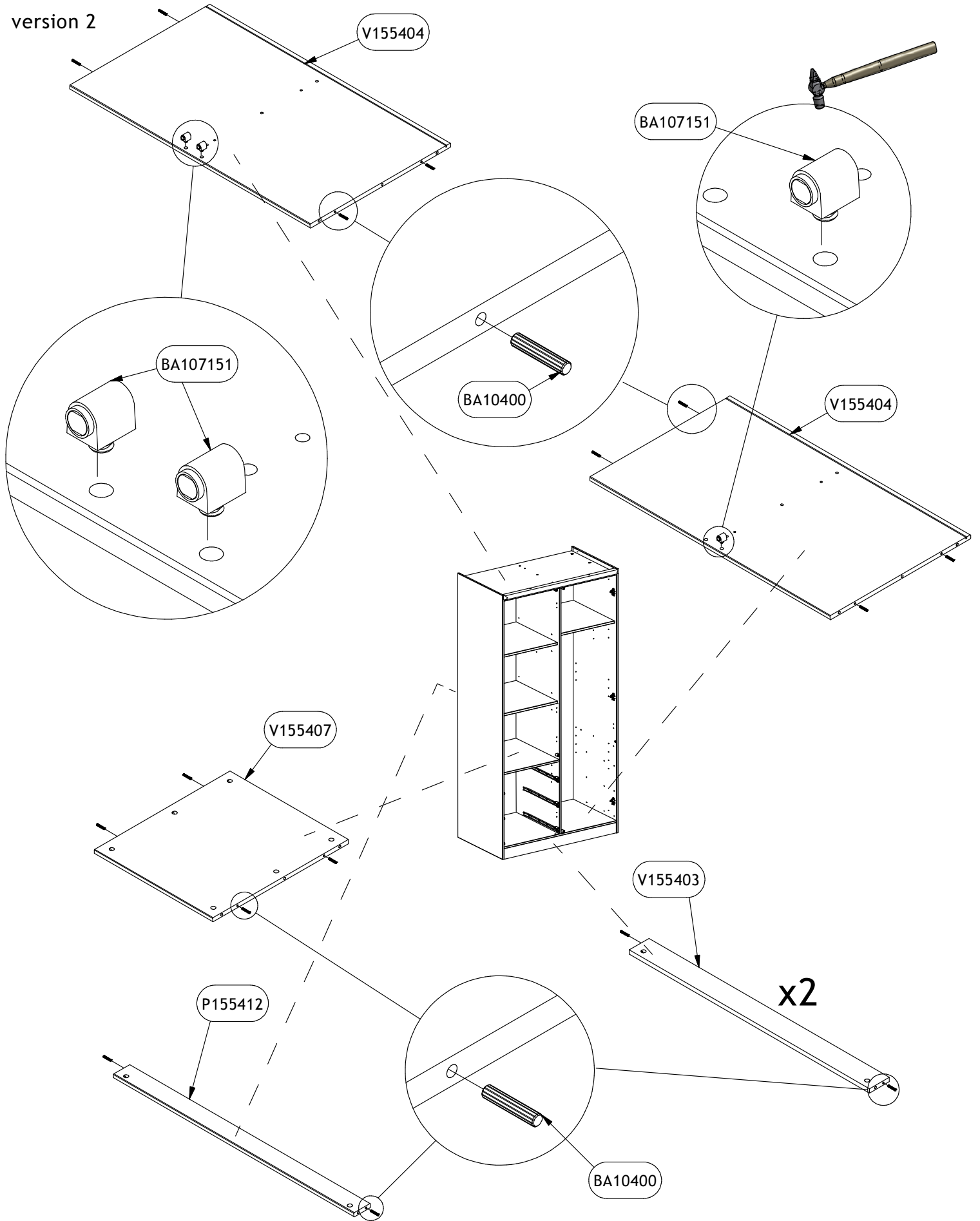


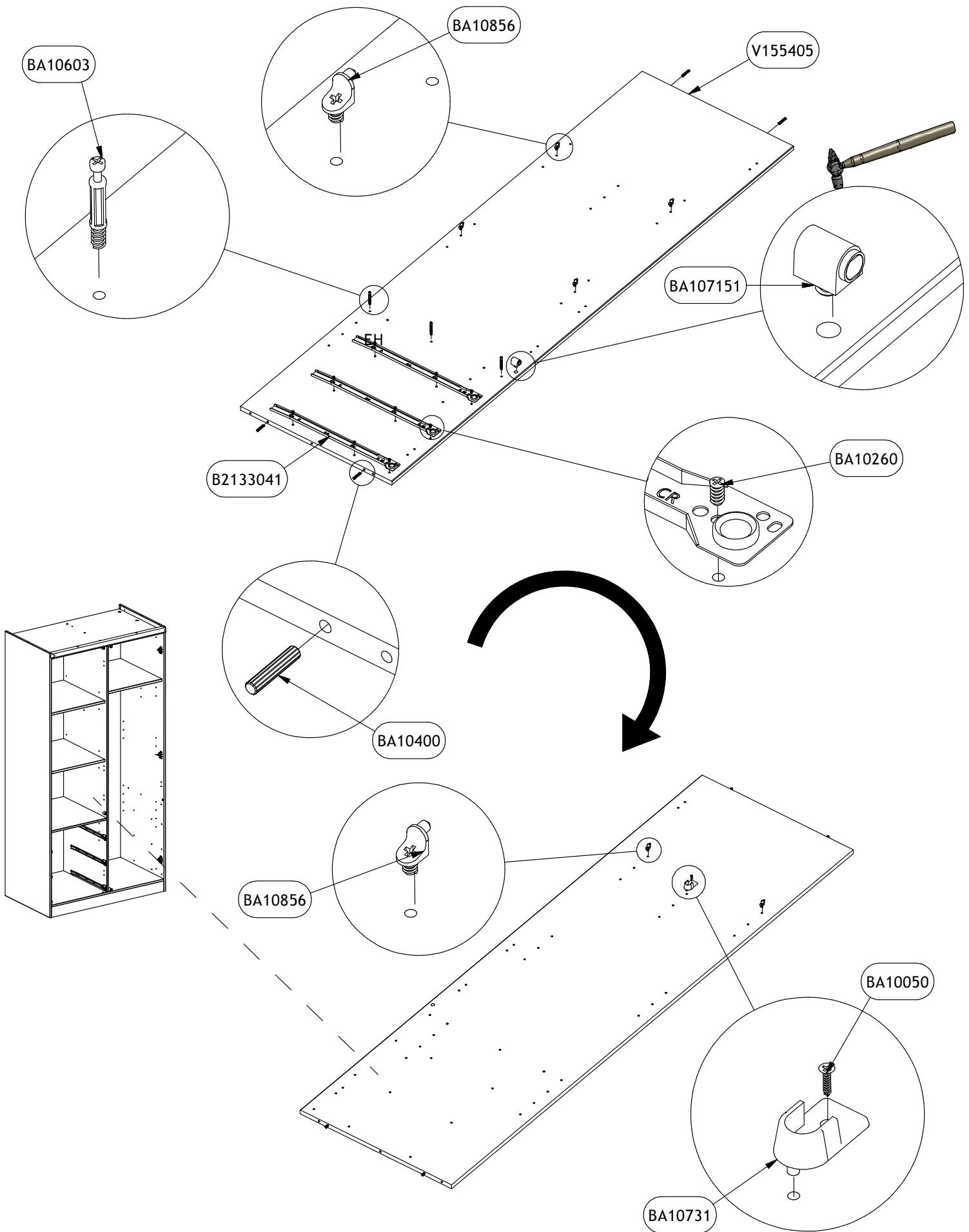


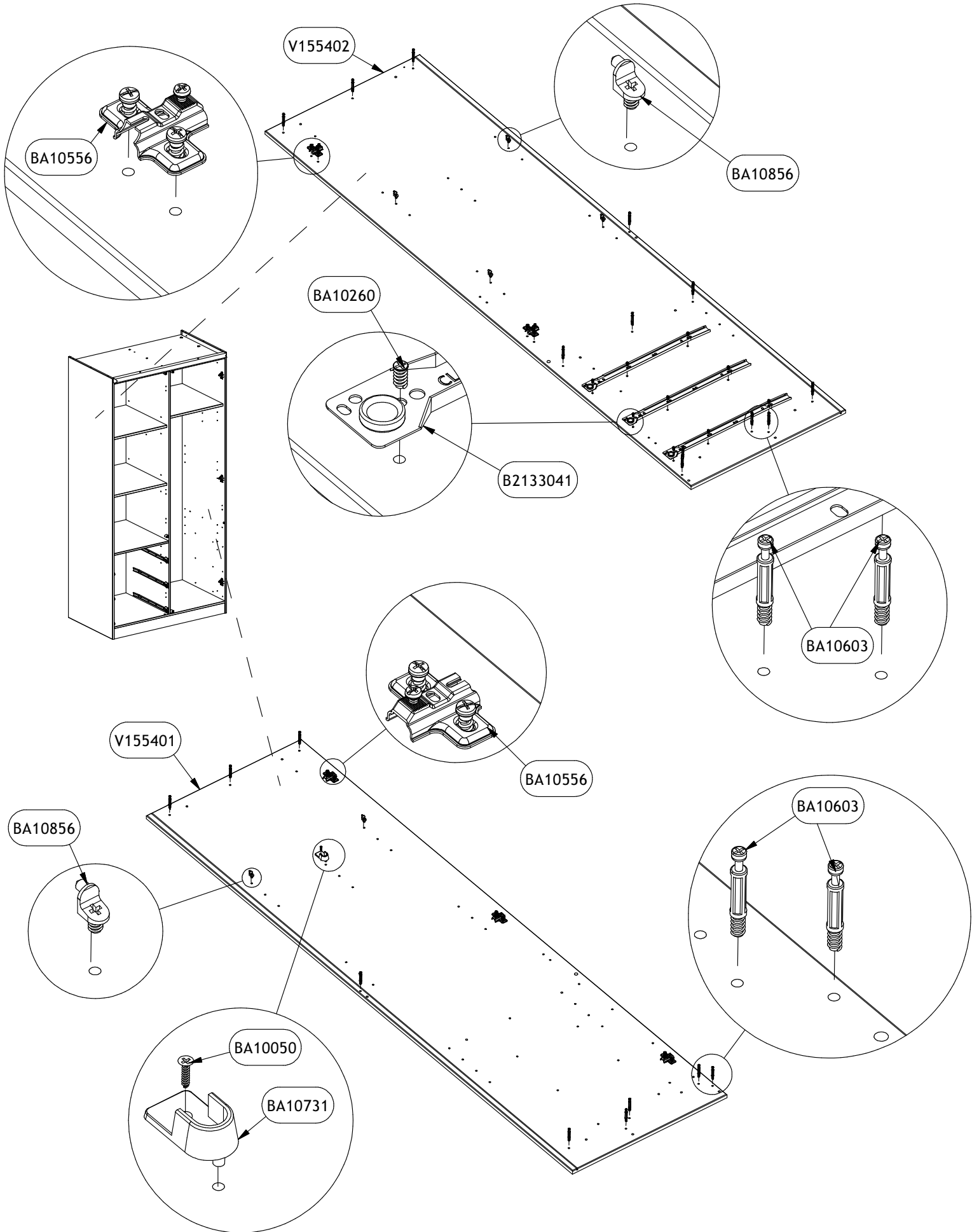


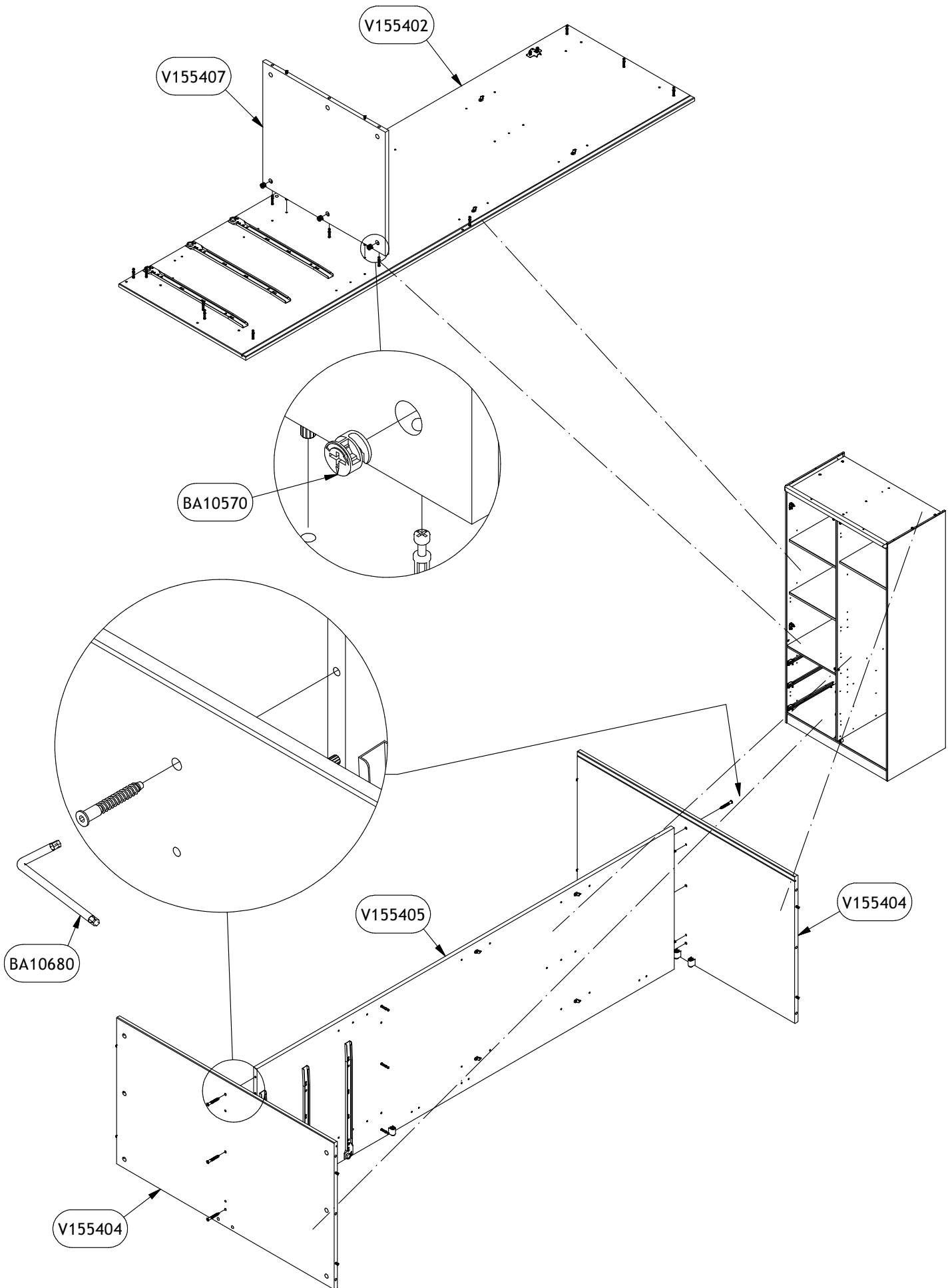


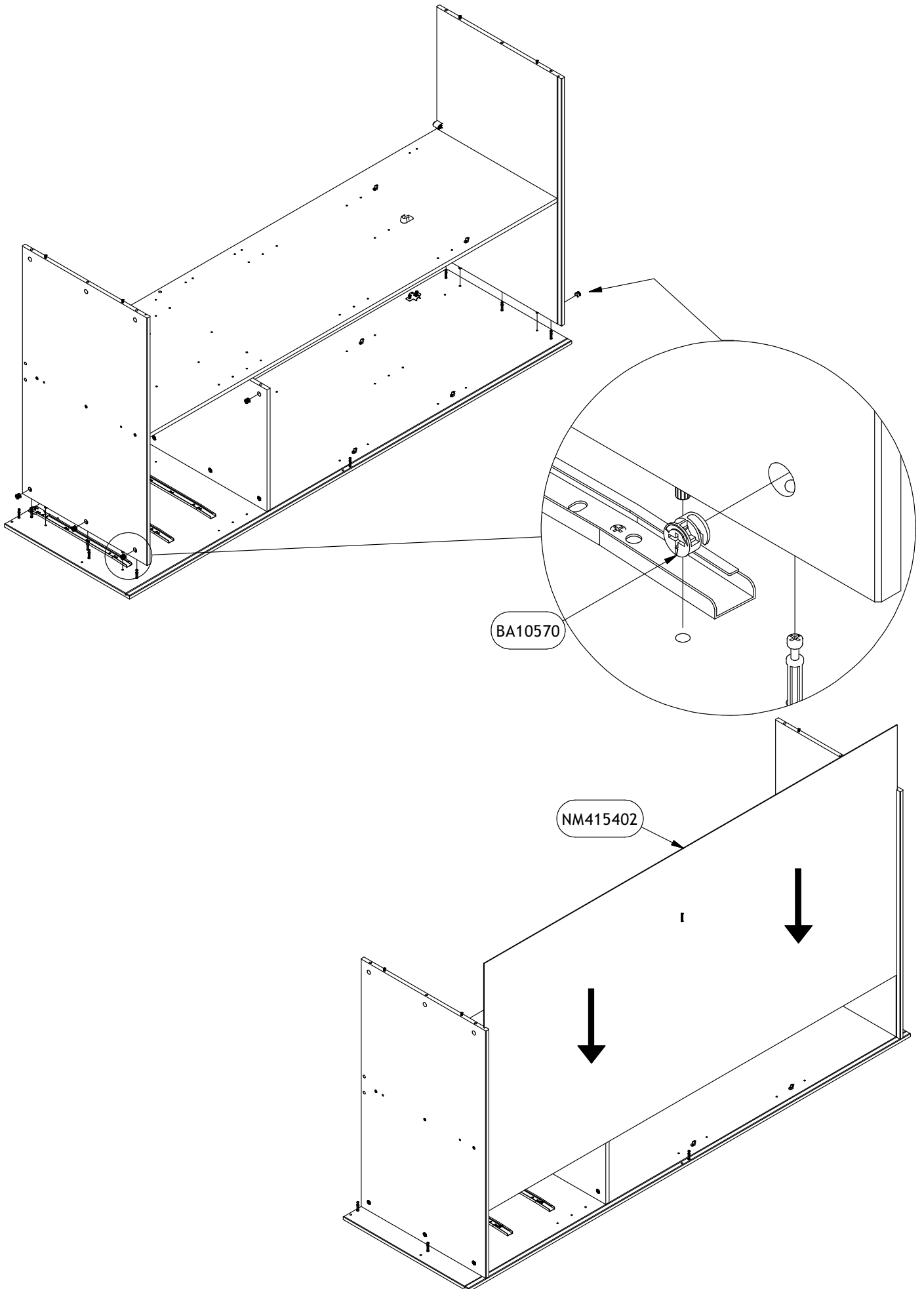
version 2

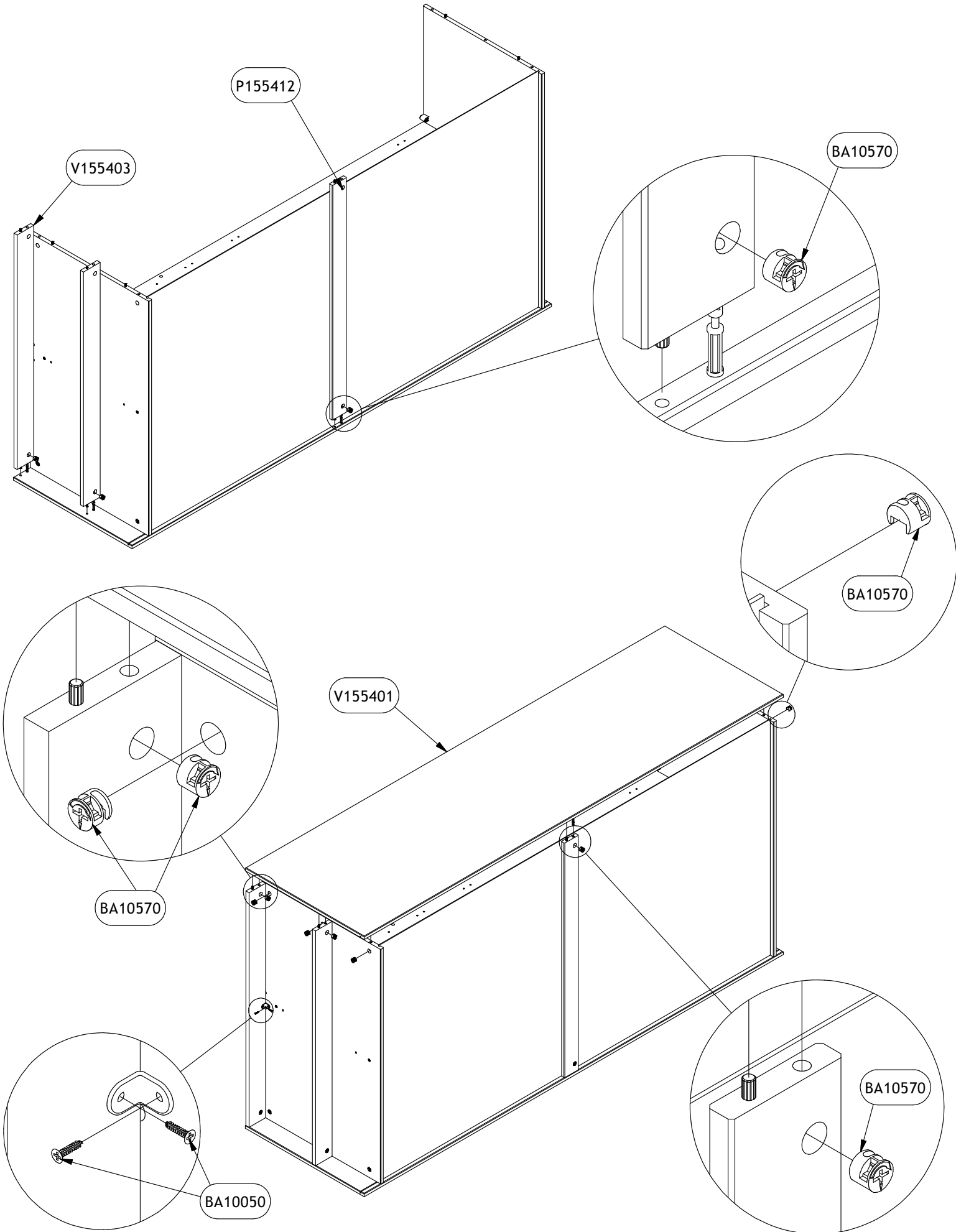


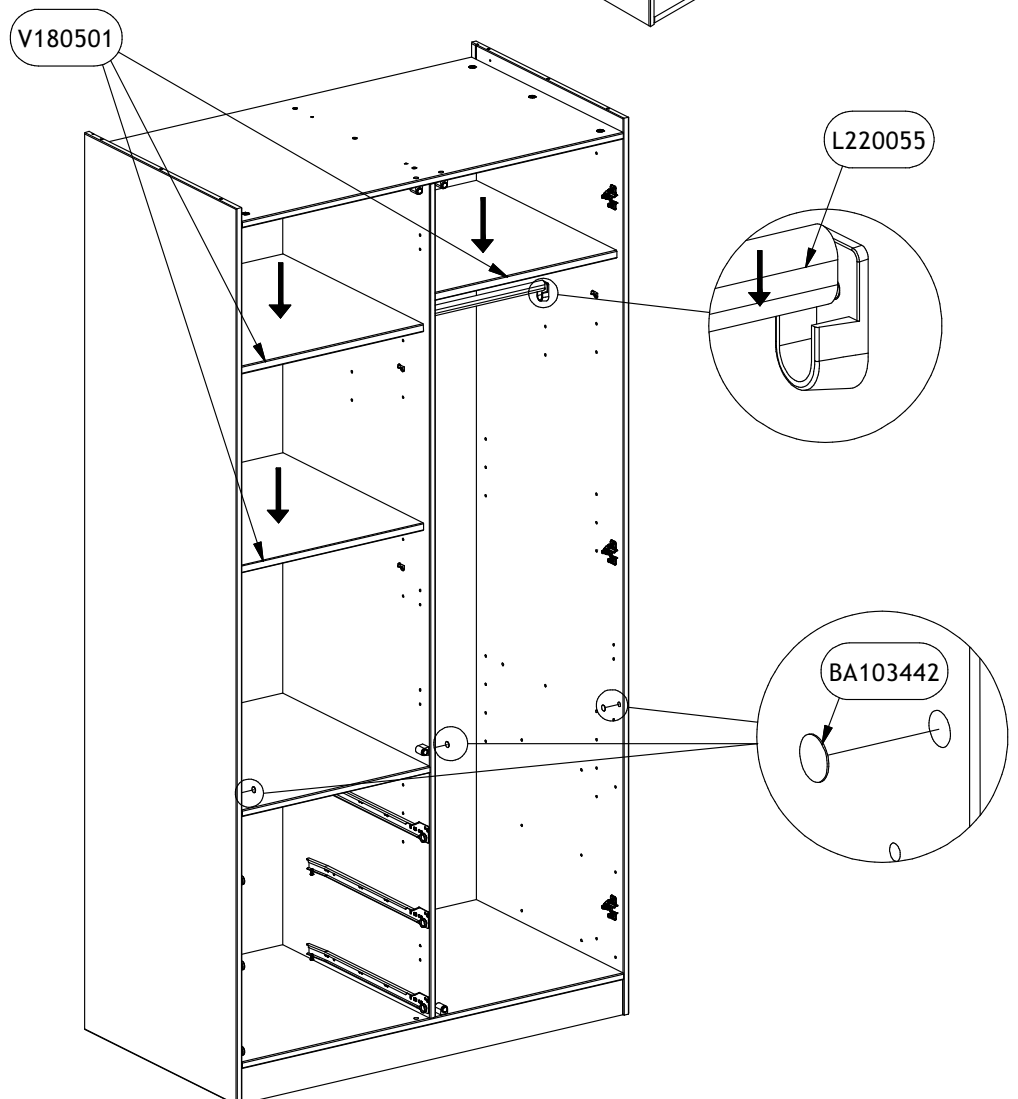
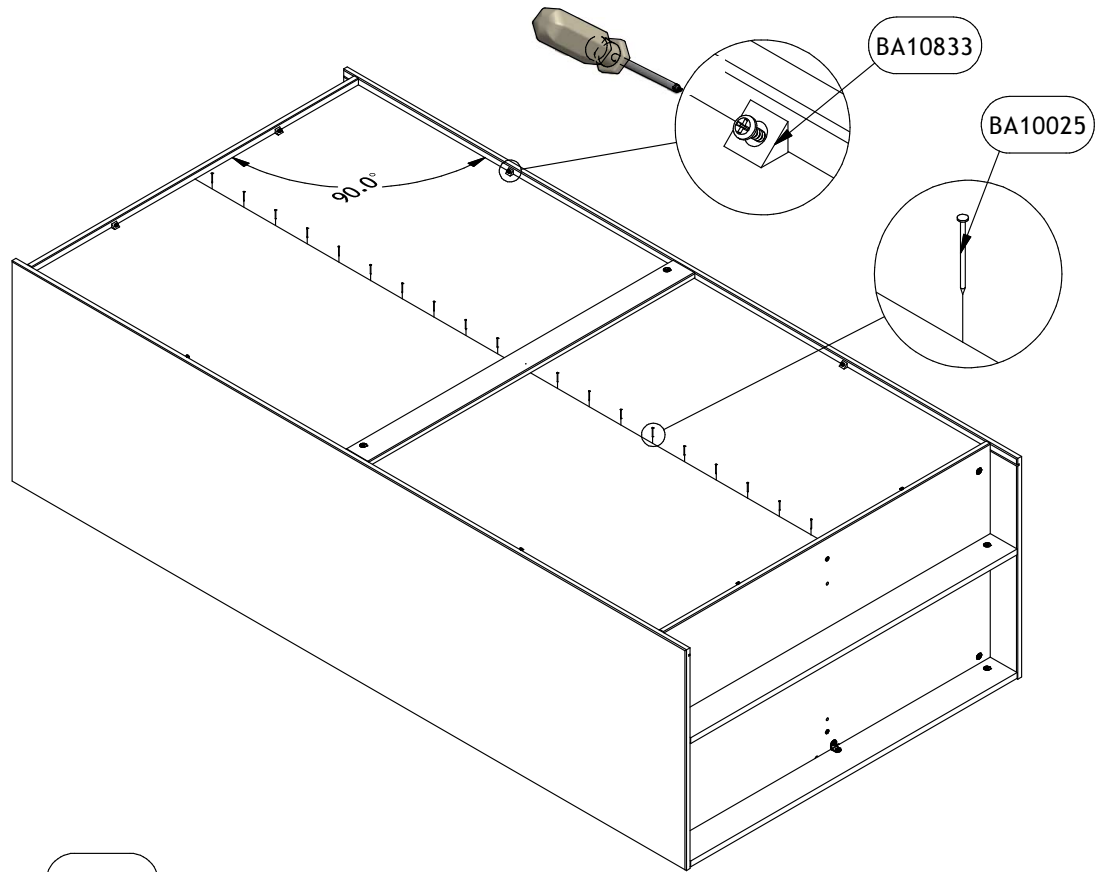
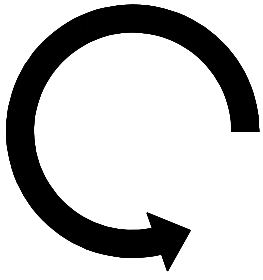


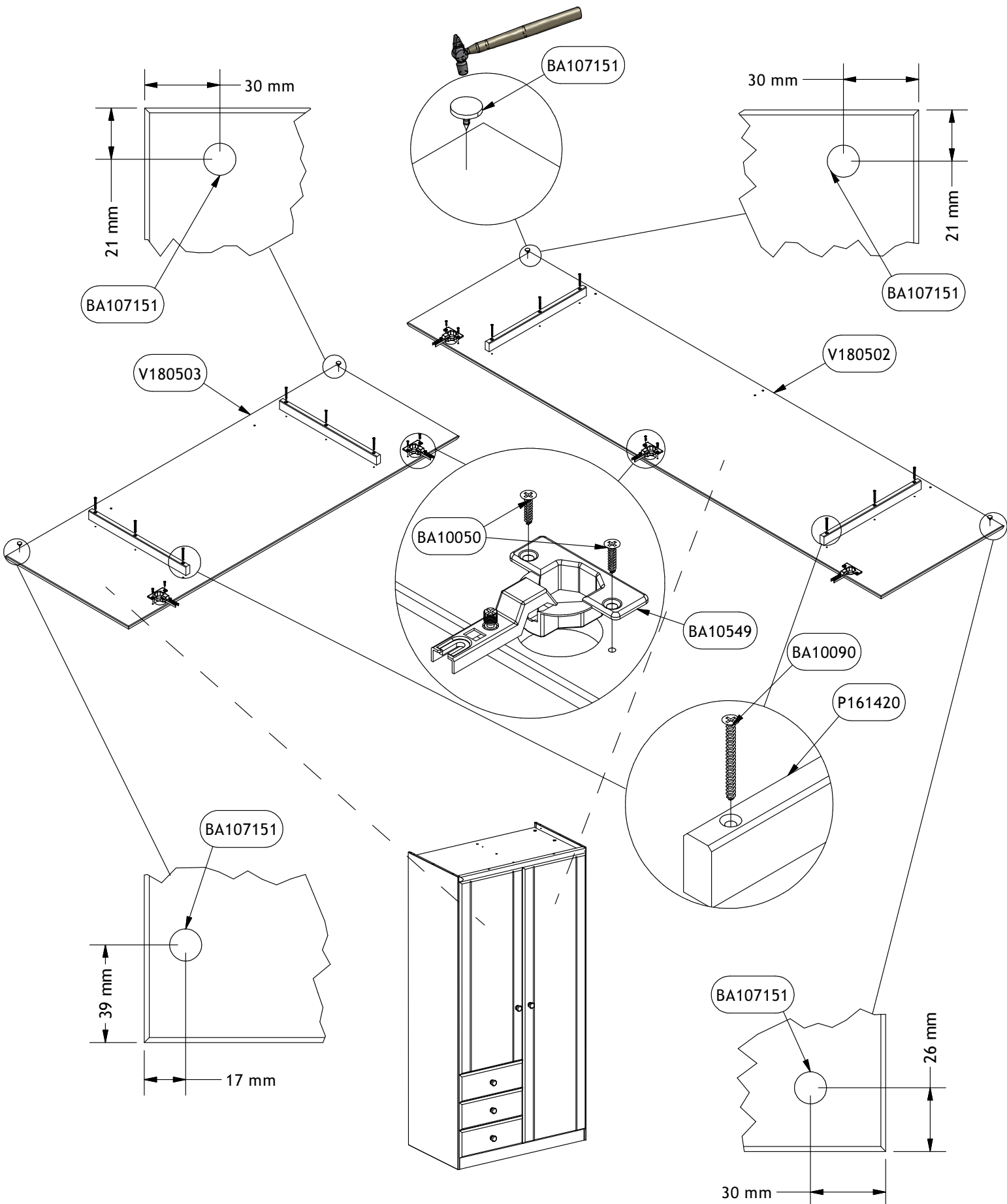












OBS!
Go to page 13