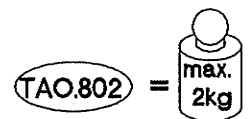
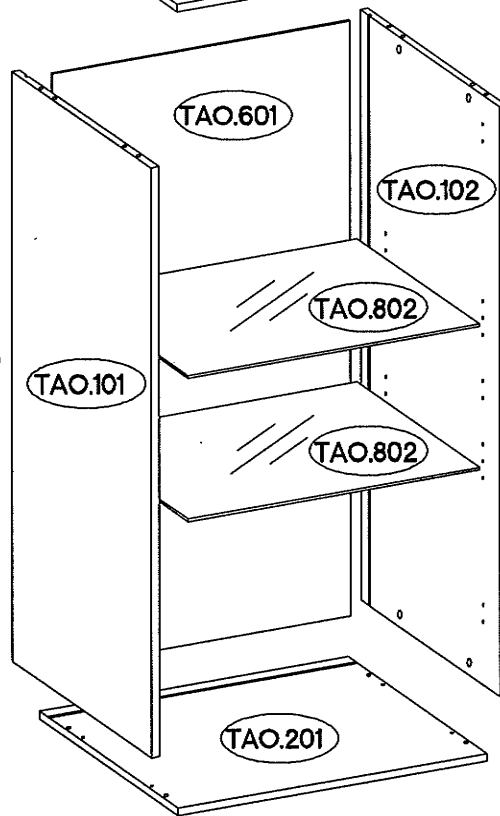
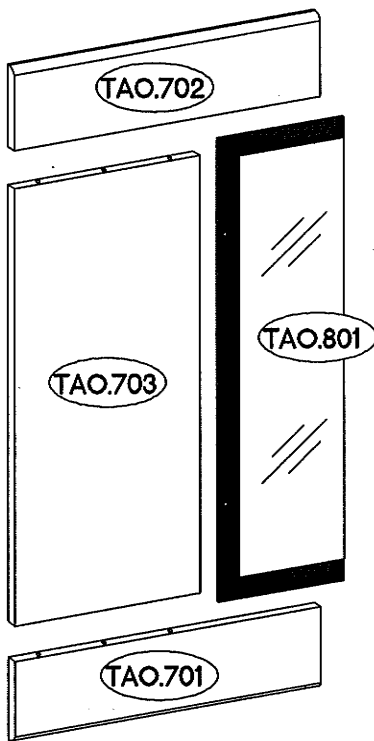
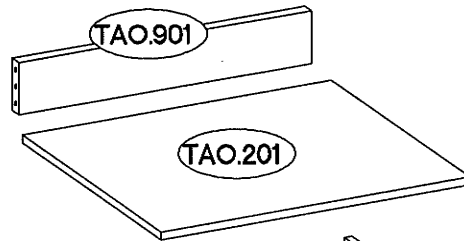
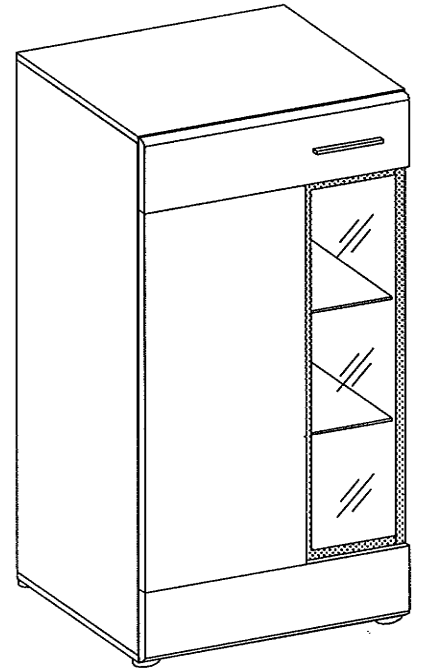








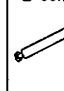
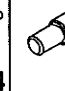














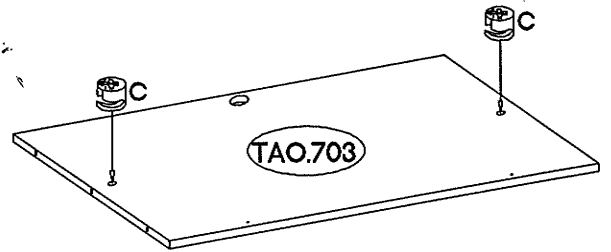
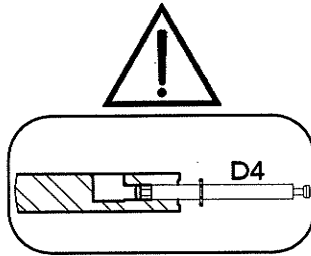
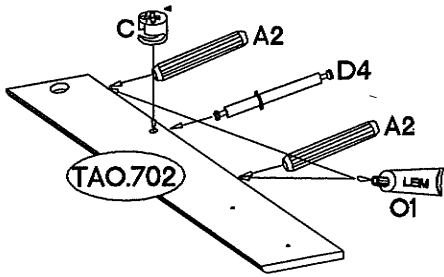
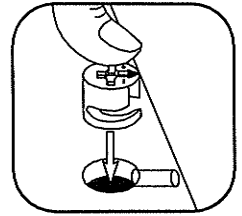
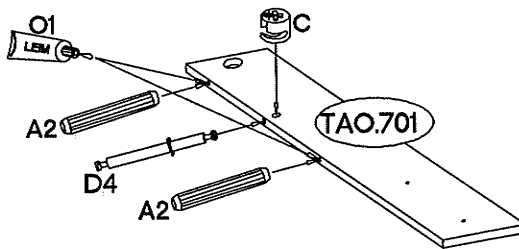
TANGO 031



											
3	3	6	4	1	5	2	2	2	8		
											
10	14	12	6	12	4	4	1	2	1	1	1

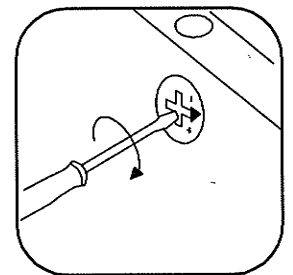
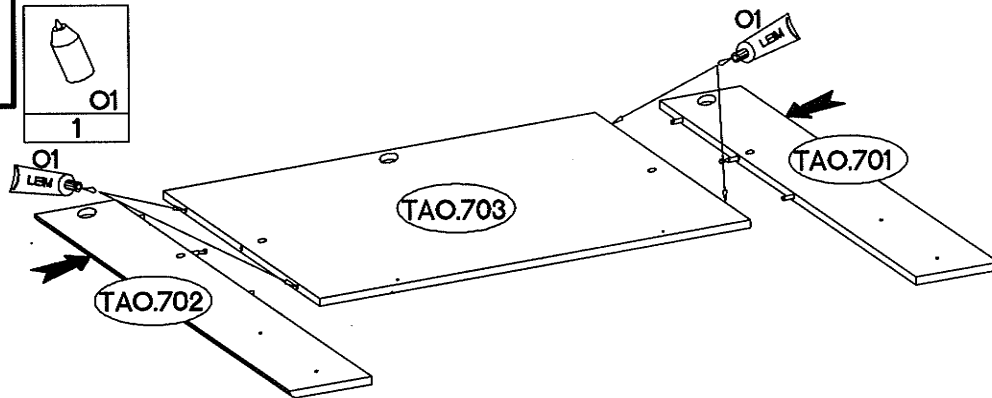
1

$\varnothing 5/12\text{mm}$ C	$\varnothing 8 \times 60\text{mm}$ A2	O1	L-56mm D4
4	4	1	2



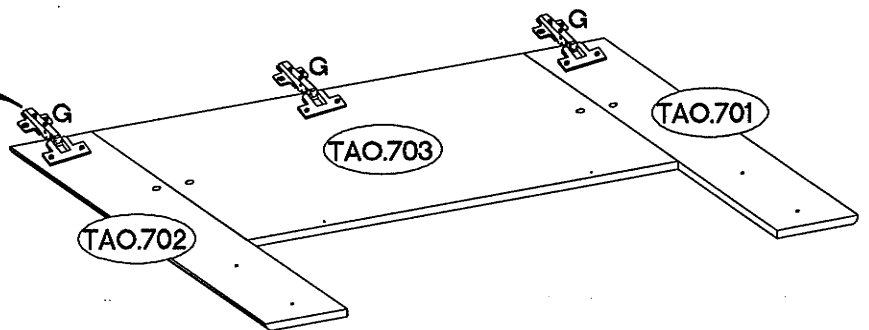
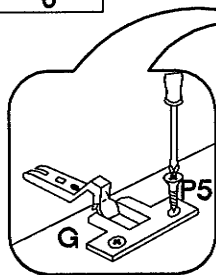
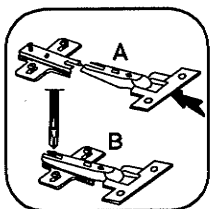
2

O1
1

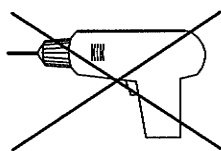
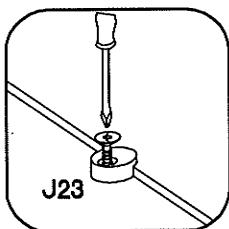


3

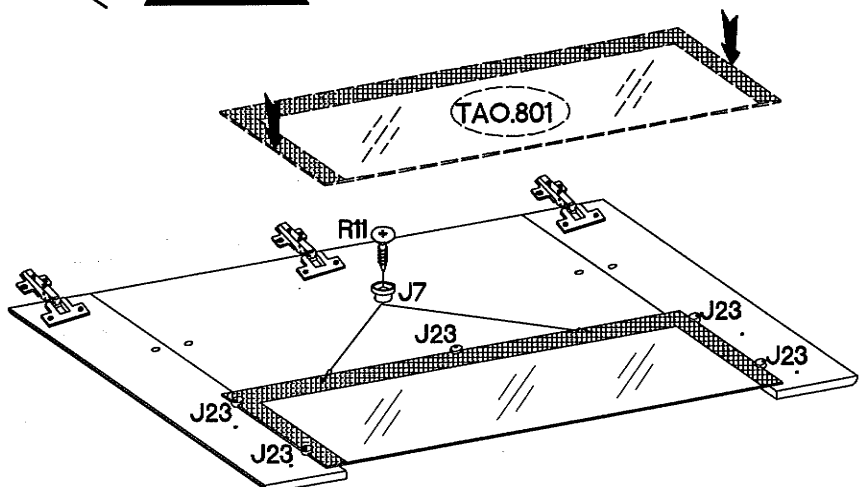
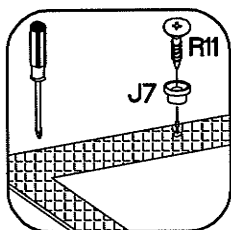
H-0	$\varnothing 35/0\text{mm}$	$\varnothing 3.5 \times 13\text{mm}$
H	G	P5
3	3	6








4

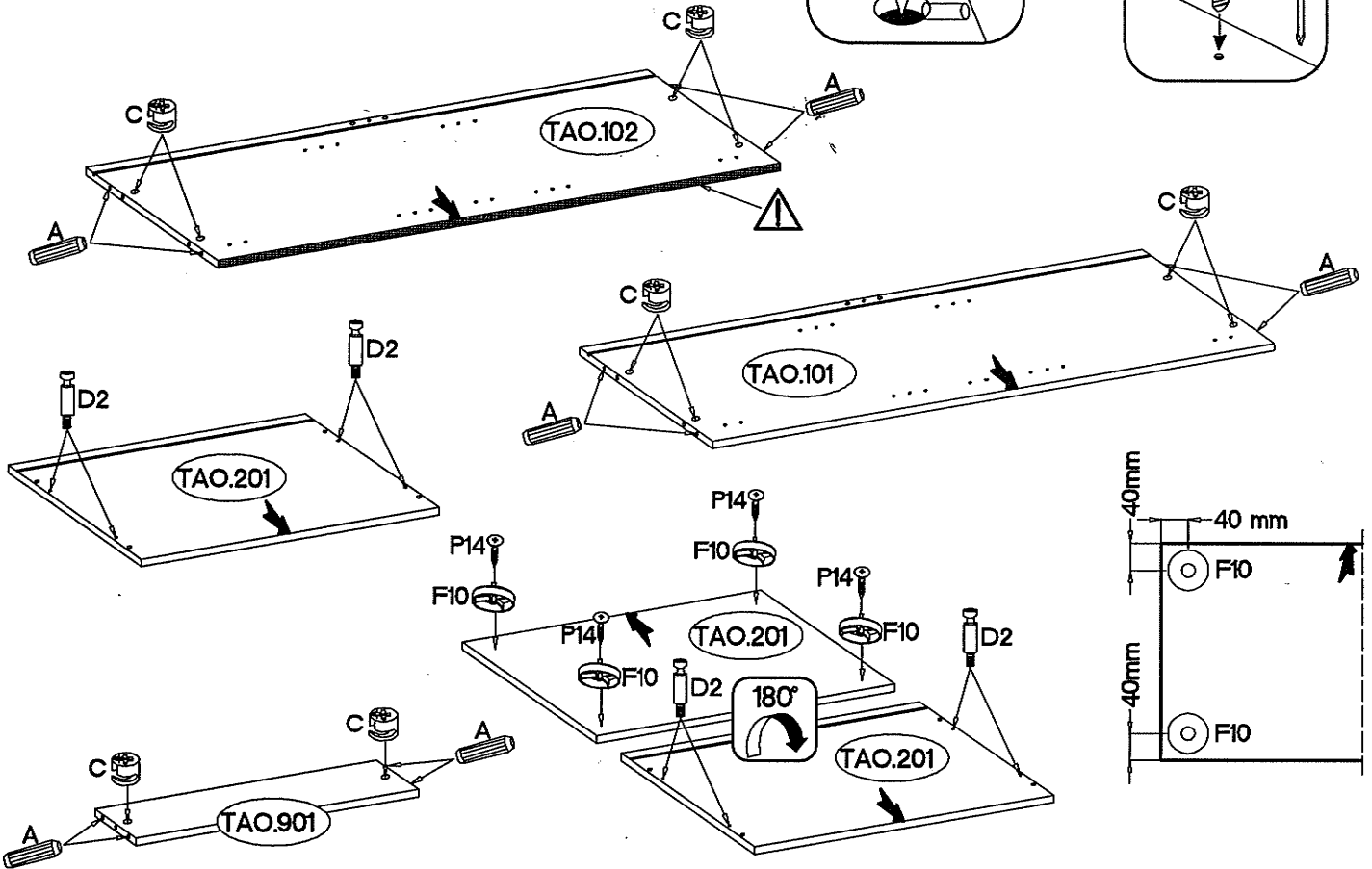
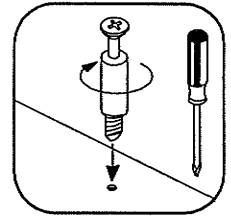
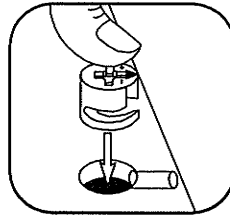


$\varnothing 4.0 \times 16\text{mm}$ J23	$\varnothing 7/4\text{mm}$ R11	J7
5	2	2

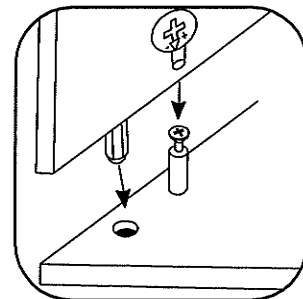
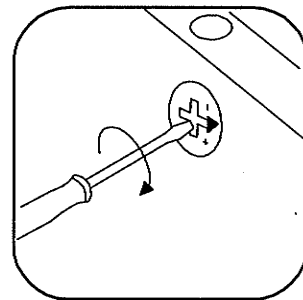
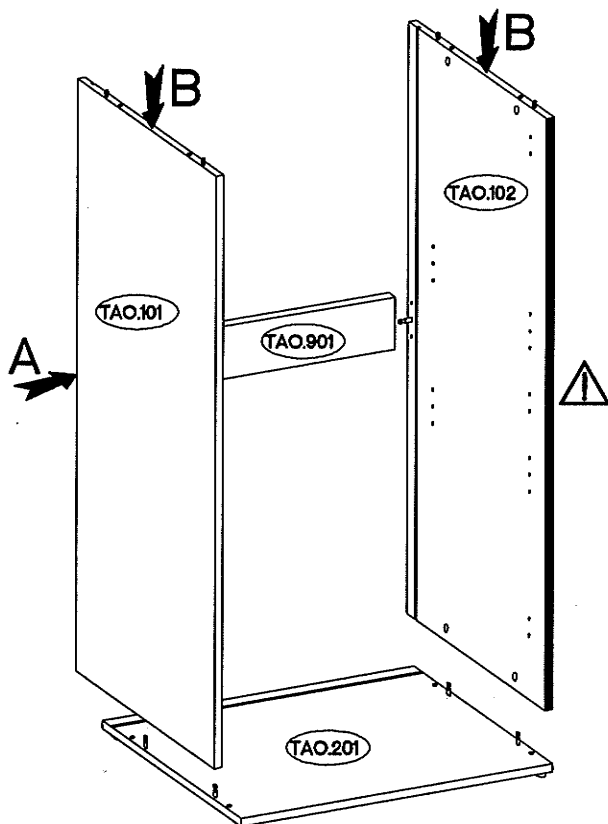


5

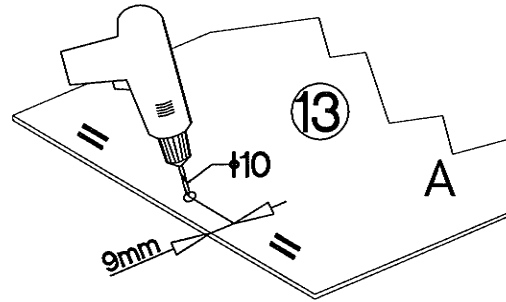
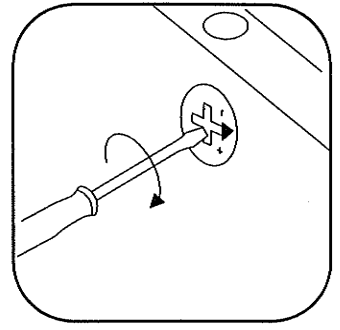
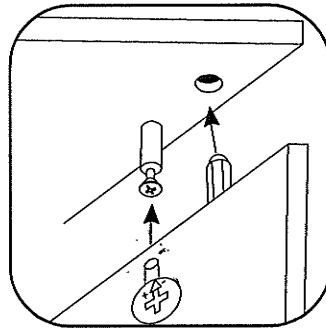
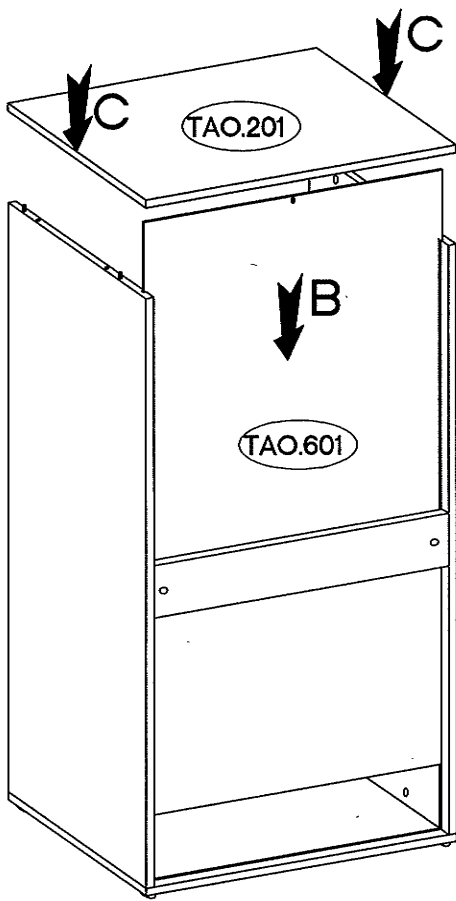
L=20mm  D2 10	t15/12mm  C 10	t8x30mm  A 12	 F10 4	t4.0x25mm  P14 4
---	--	---	---	--



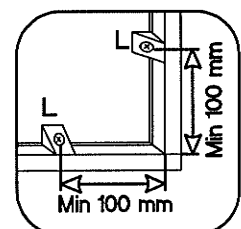
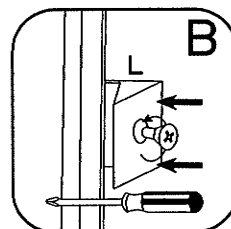
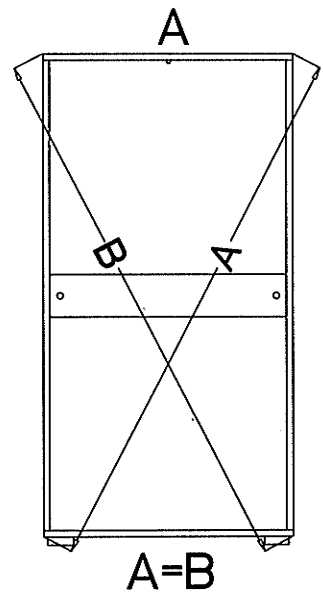
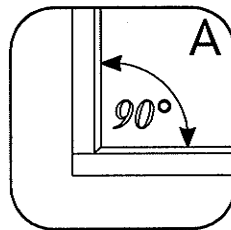
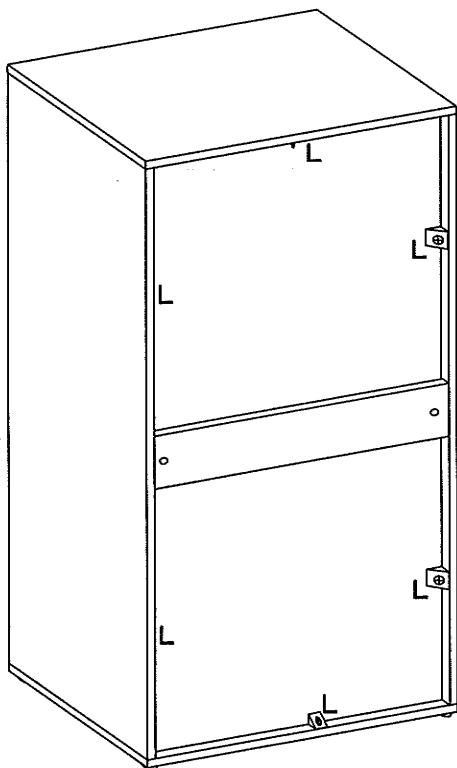
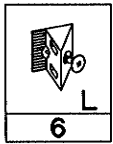
6






7

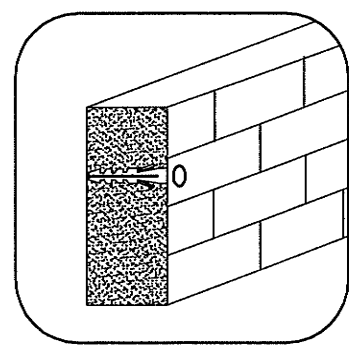
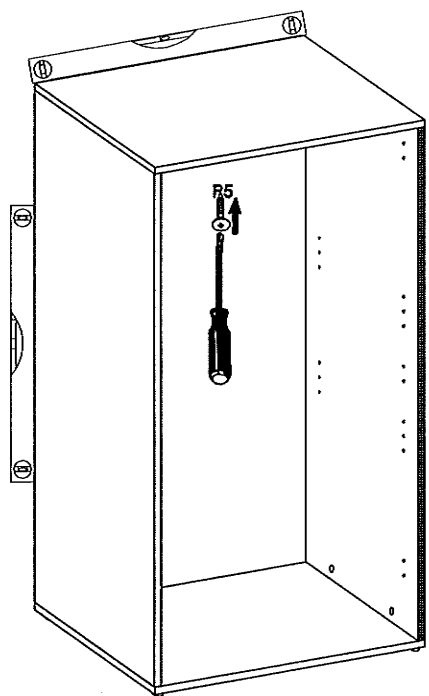
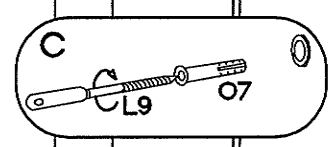
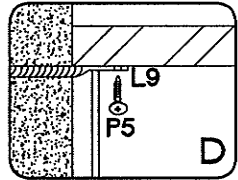
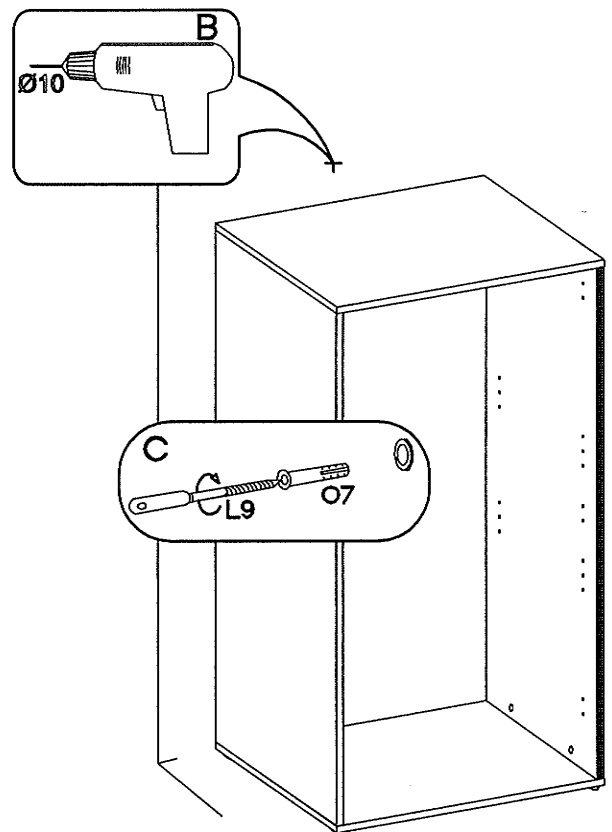
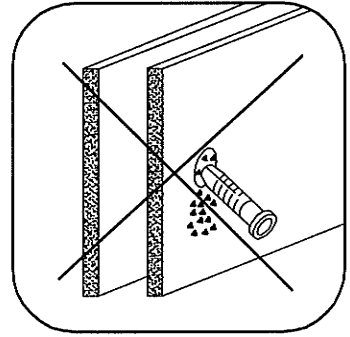
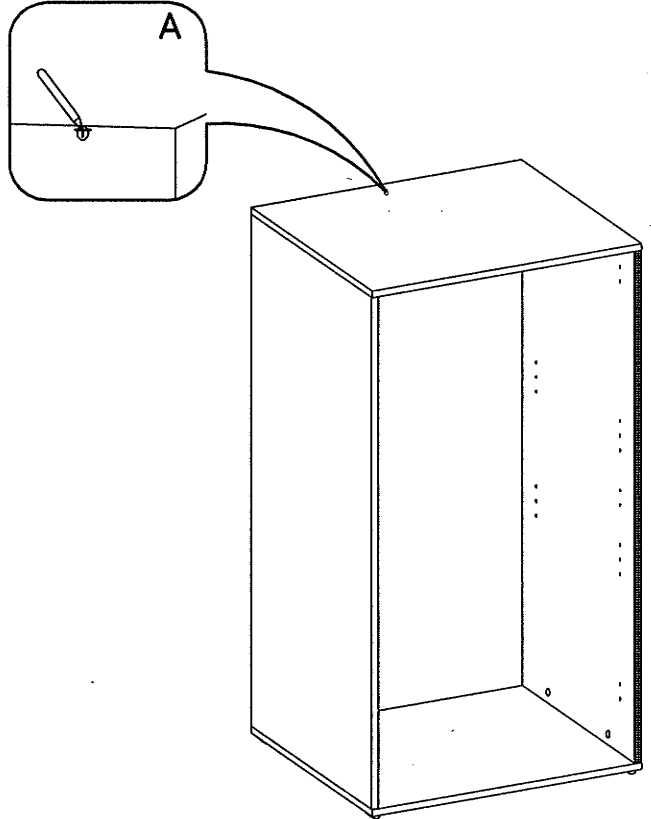


8



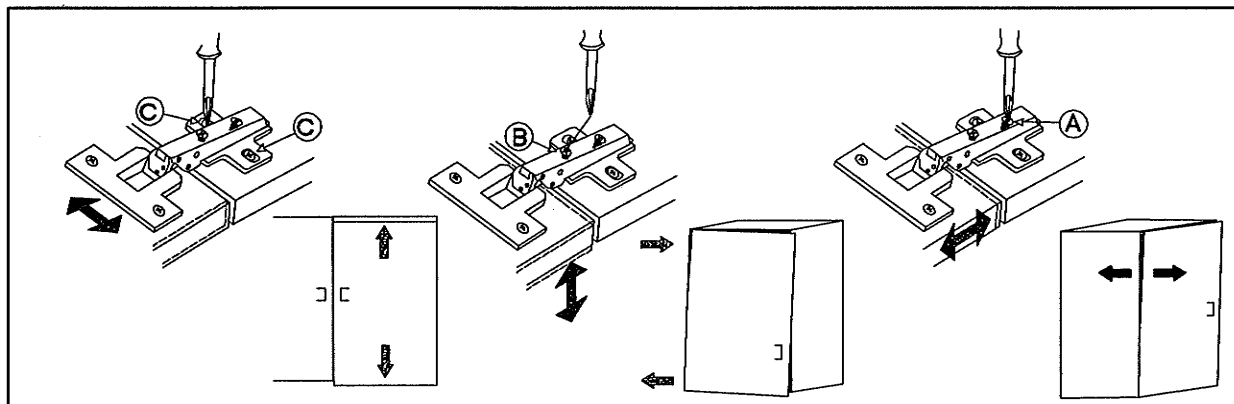
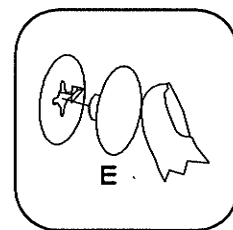
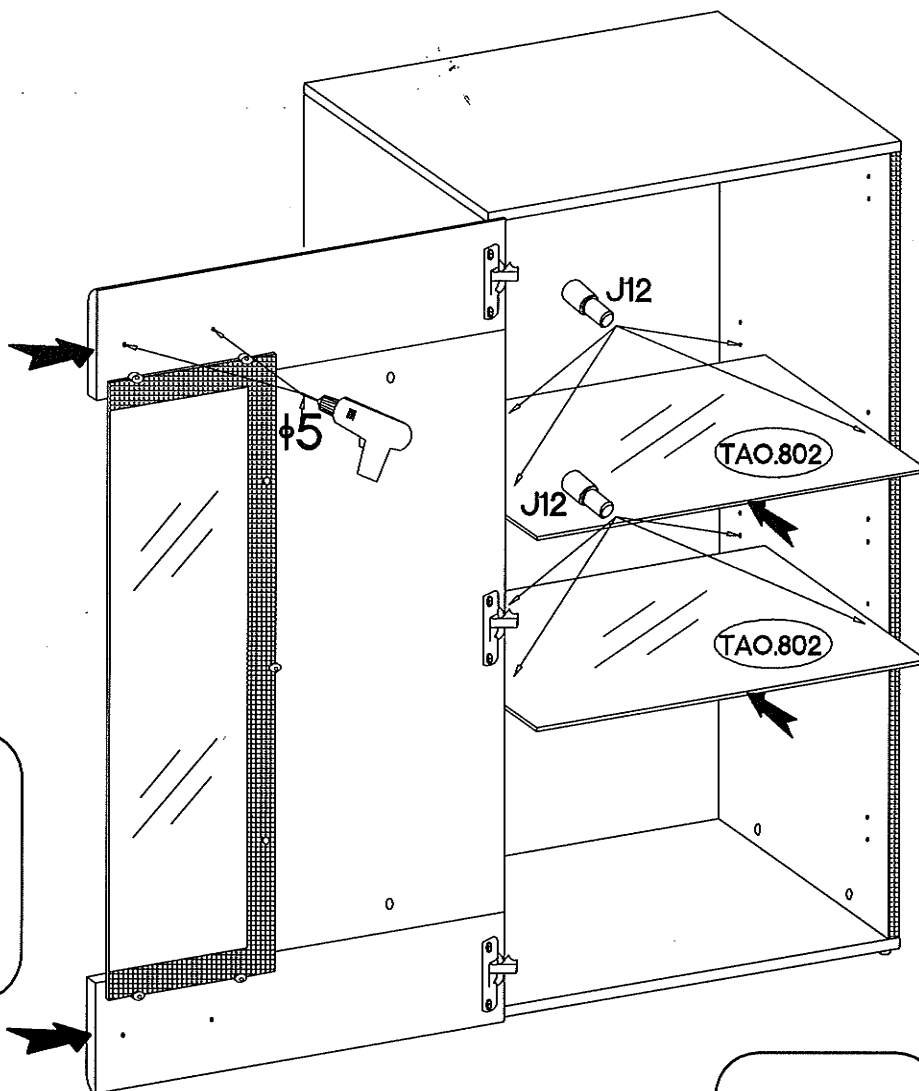
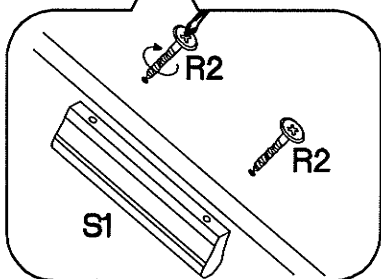
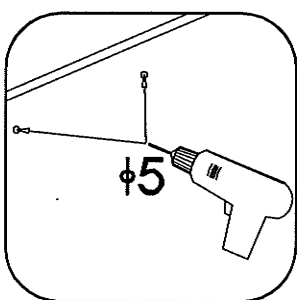
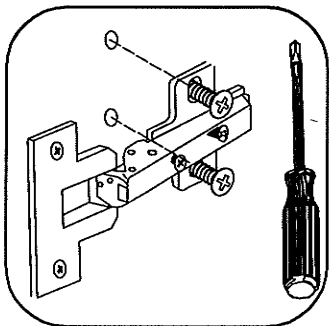
9

 #3.5x13mm P5	 #10x50mm O7	 L9
1	1	1

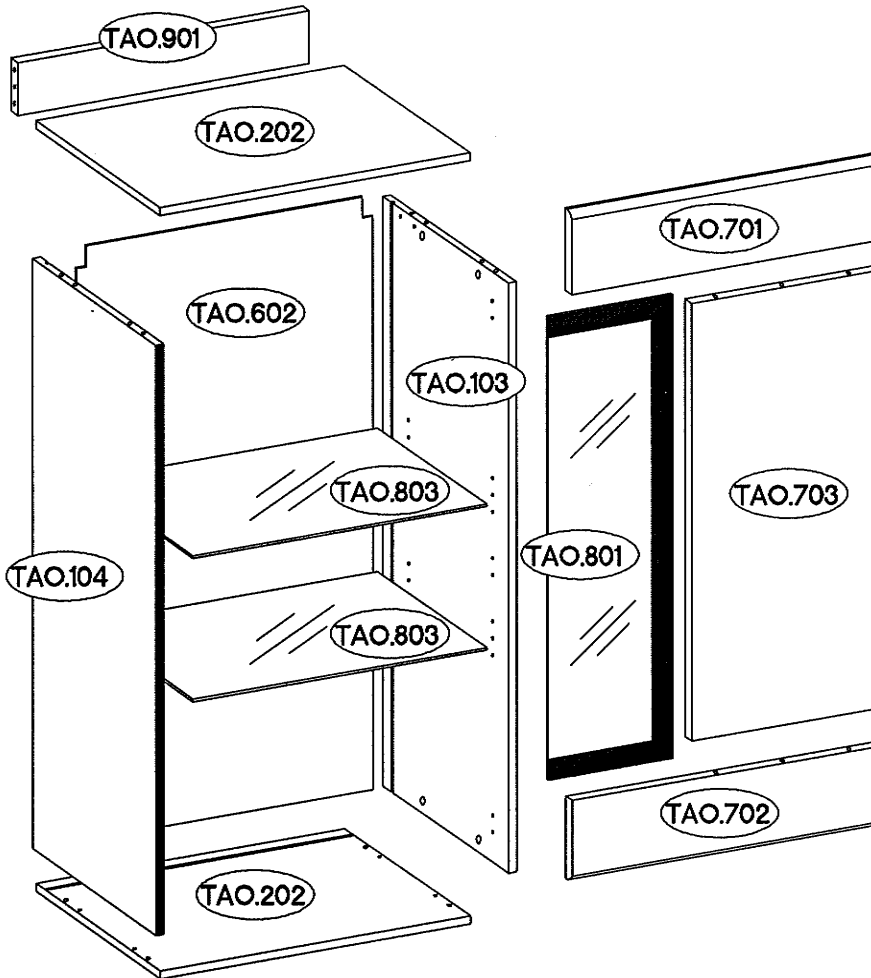
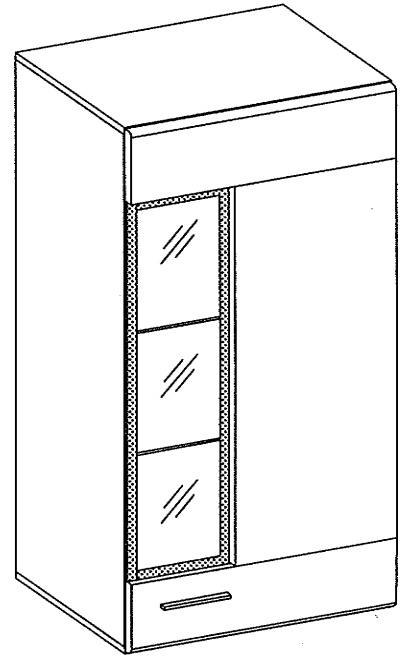


10

L=128mm S1	φ4.0x30mm R2	E	J12
1	2	14	8
























TANGO 531







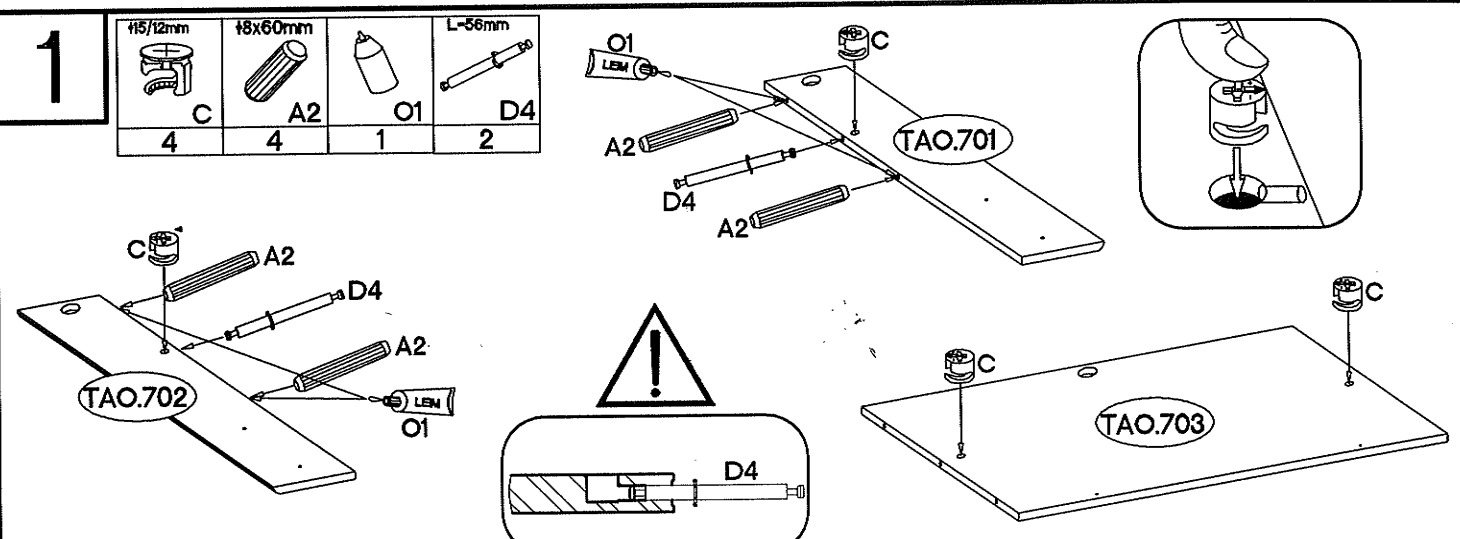
TAO.803 = max. 2kg

TAO.202 = max. 5kg


 H-0 H	 t35/0mm G	 t3.5x13mm P5	 t8x60mm A2	 K	 t4.0x30mm P8	 t10x50mm O7	 t4.0x16mm R11	 t7/4mm J7			
3	3	6	4	2	4	2	2	2			
 L-20mm D2	 t15/12mm C	 t8x30mm A	 L	 E	 L-128mm S1	 t4.0x30mm R2	 6,5/68mm O4	 O1	 J23	 L-56mm D4	 J12
10	14	12	6	12	1	2	2	1	5	2	8

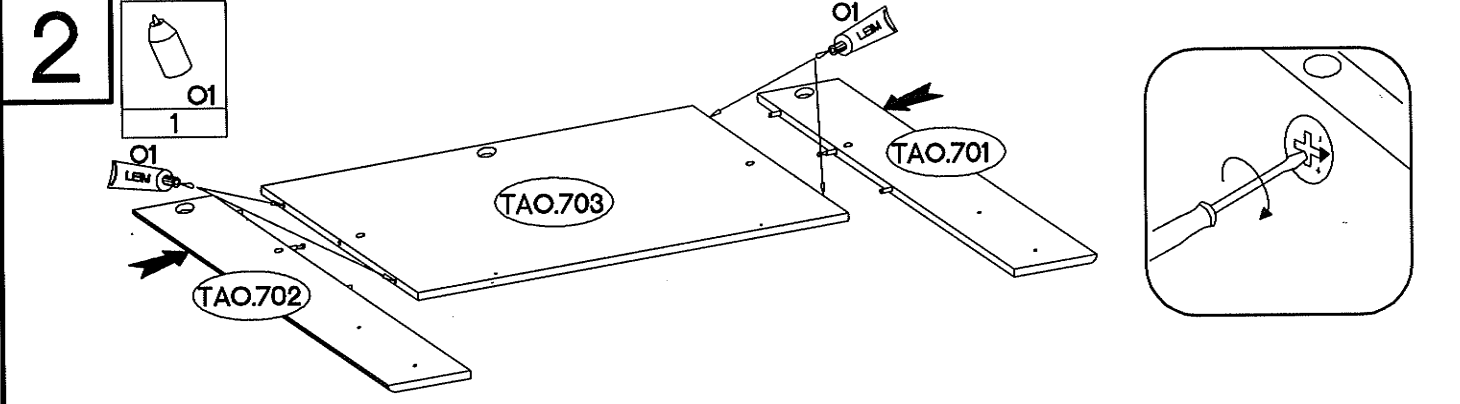
1

			
C	A2	O1	D4
4	4	1	2






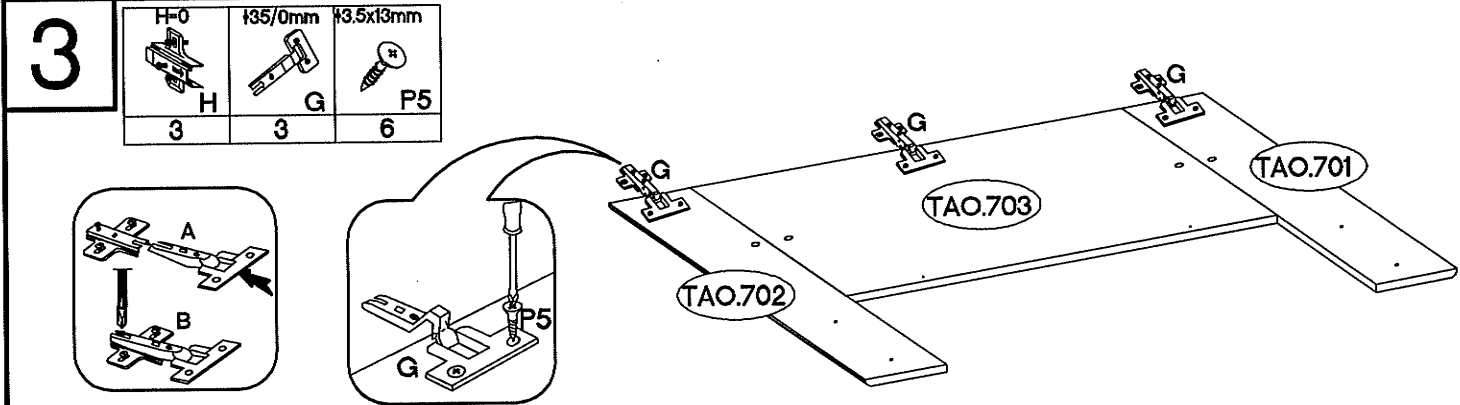
2


O1
1

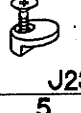

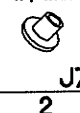


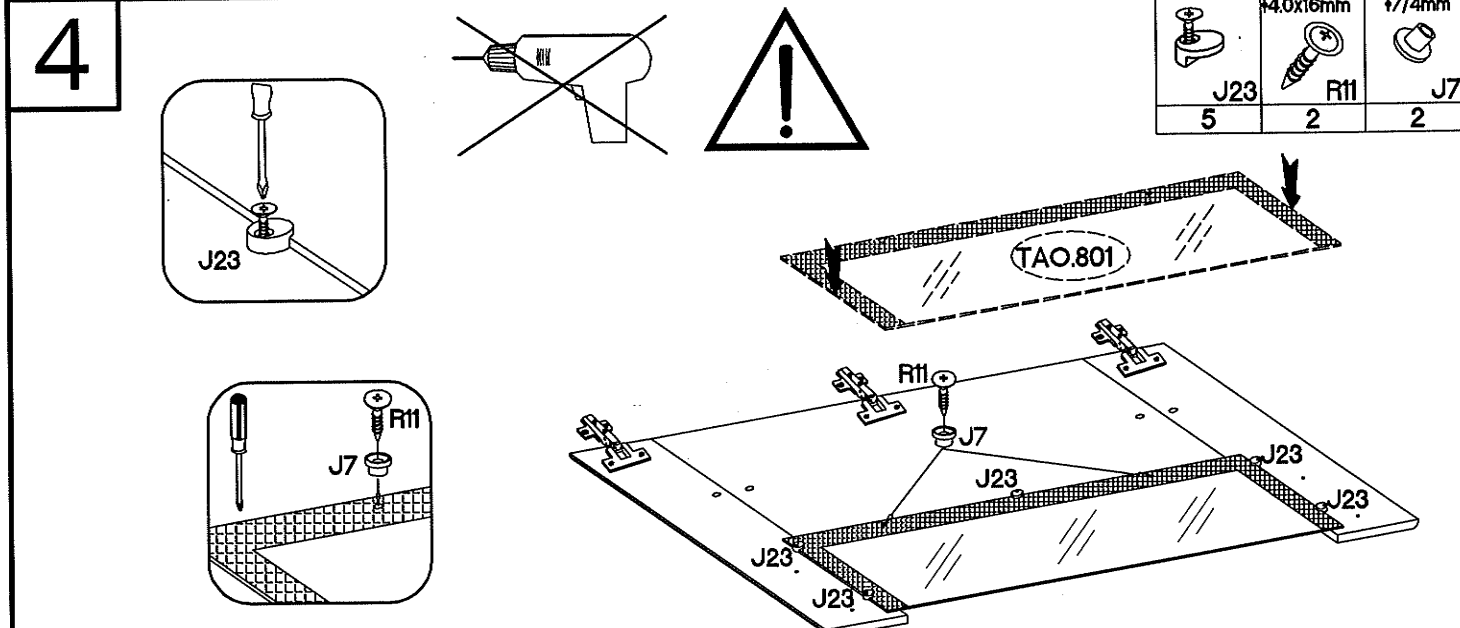
3

		
H	G	P5
3	3	6



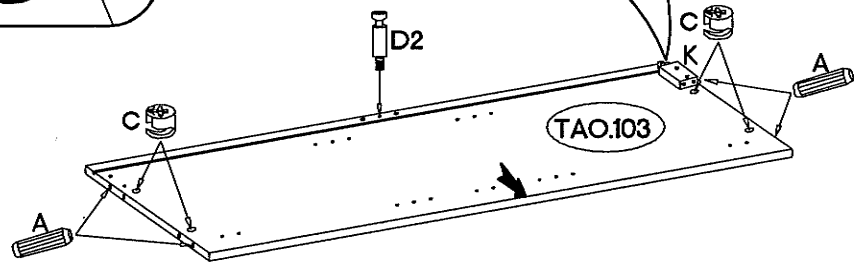
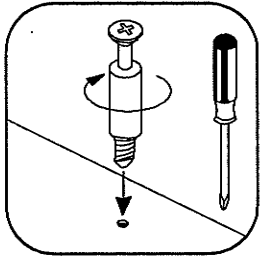
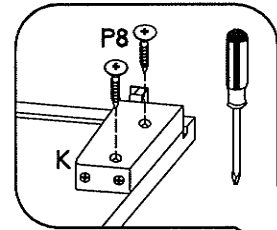
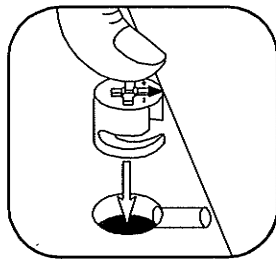
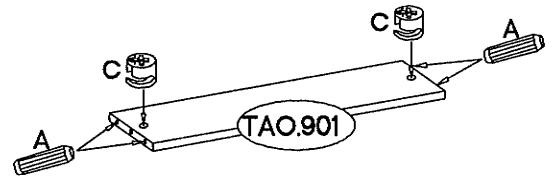
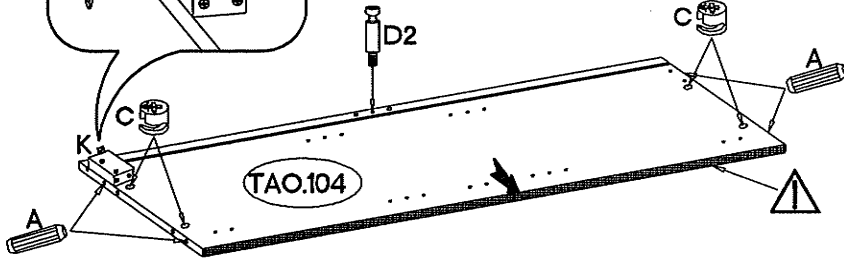
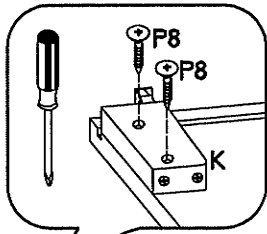
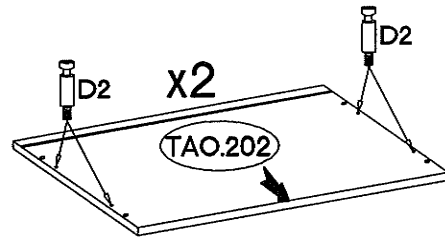
4

		
J23	R11	J7
5	2	2

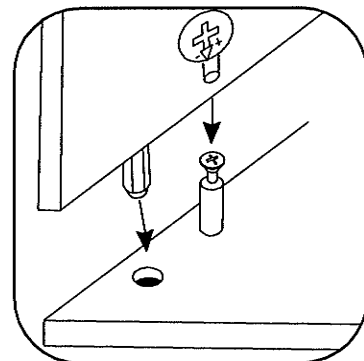
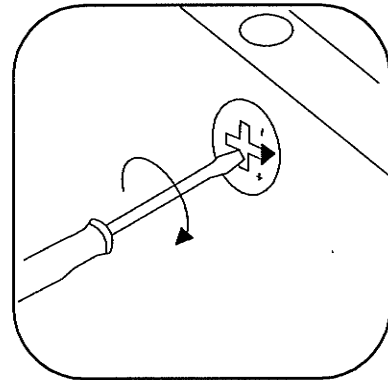
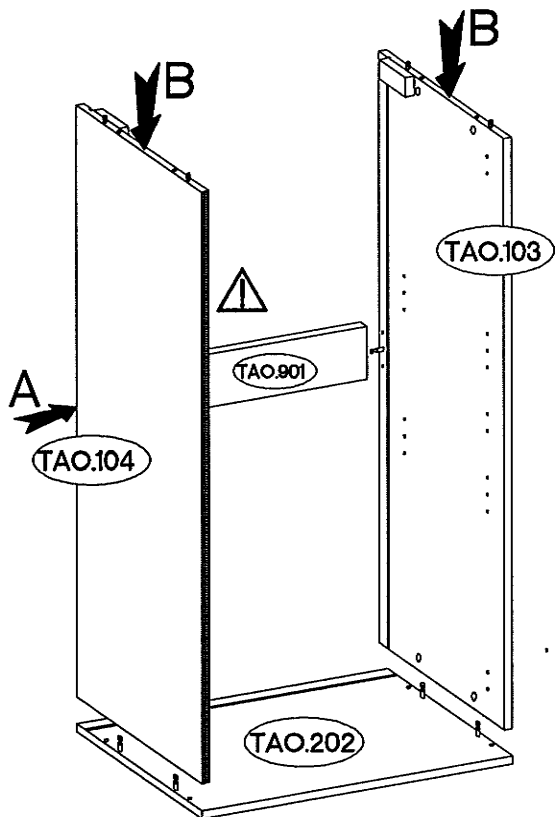


5

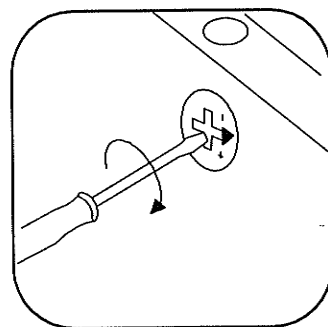
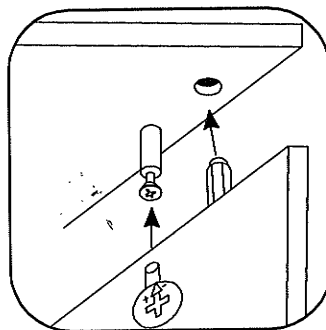
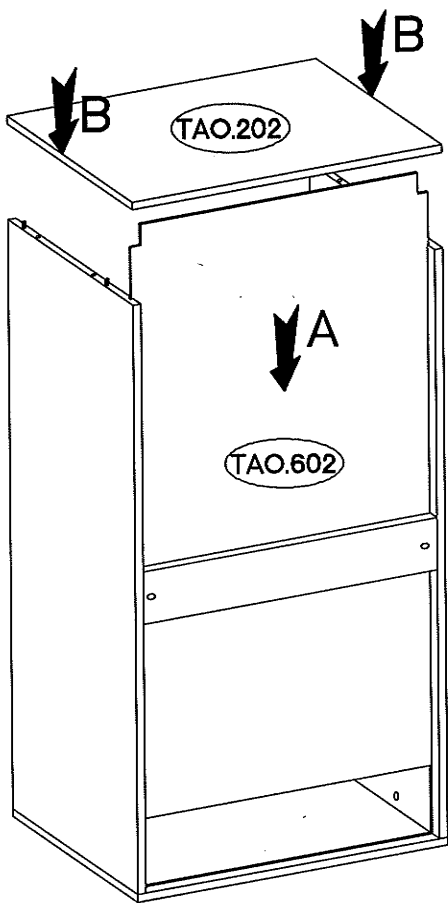
L=20mm D2 10	15/12mm C 10	18x30mm A 12	K 2	4.0x30mm P8 4
--------------------	--------------------	--------------------	--------	---------------------



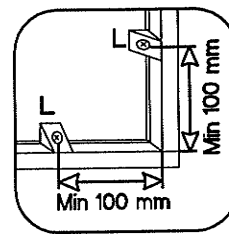
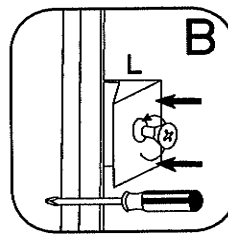
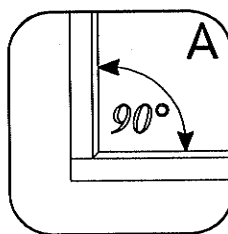
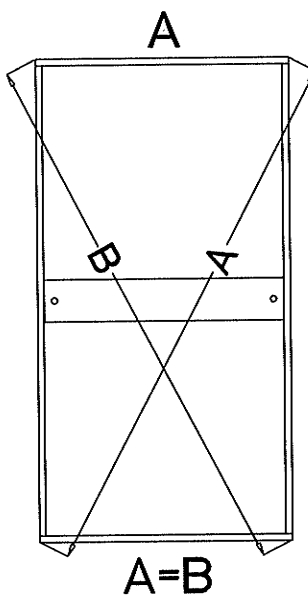
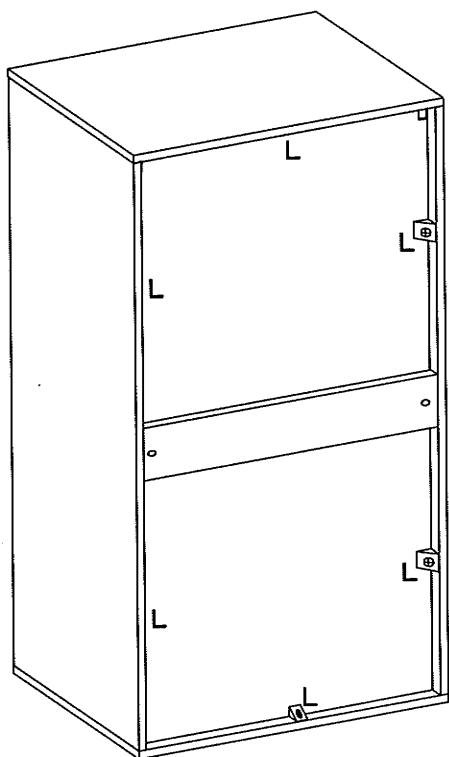
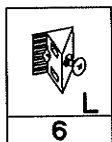
6





7

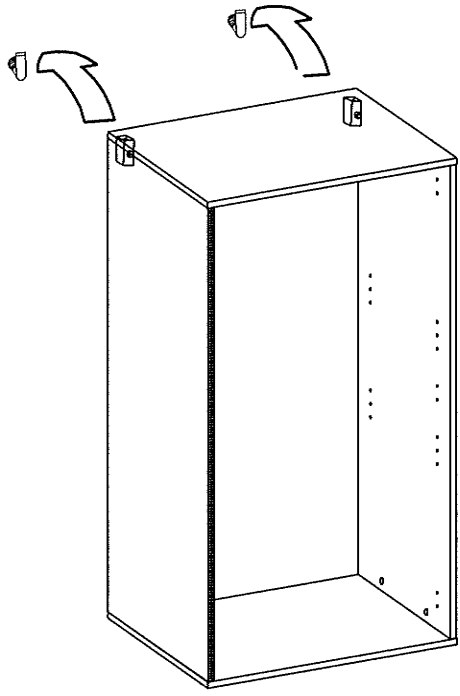
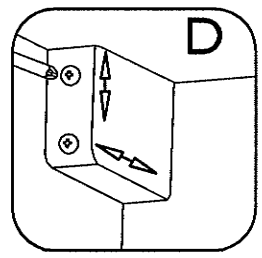
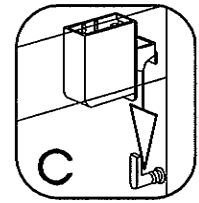
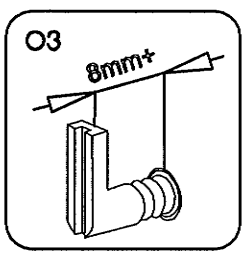
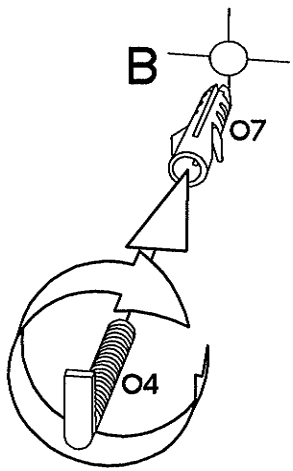
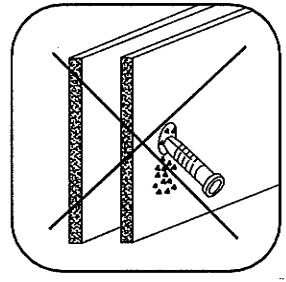
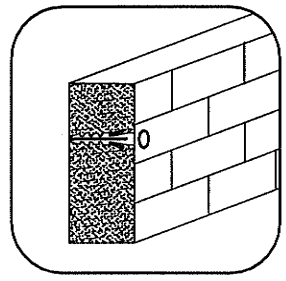
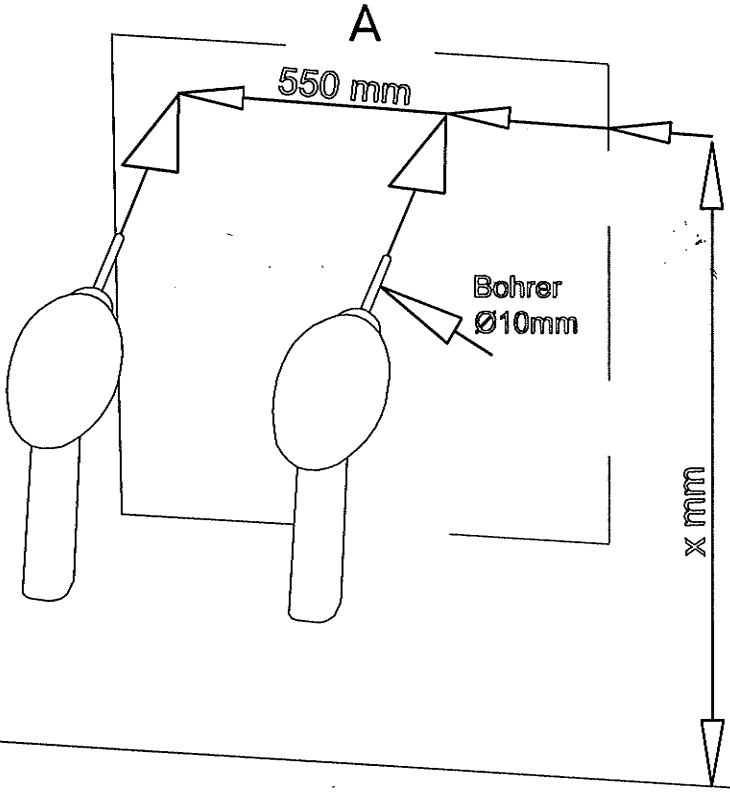


8

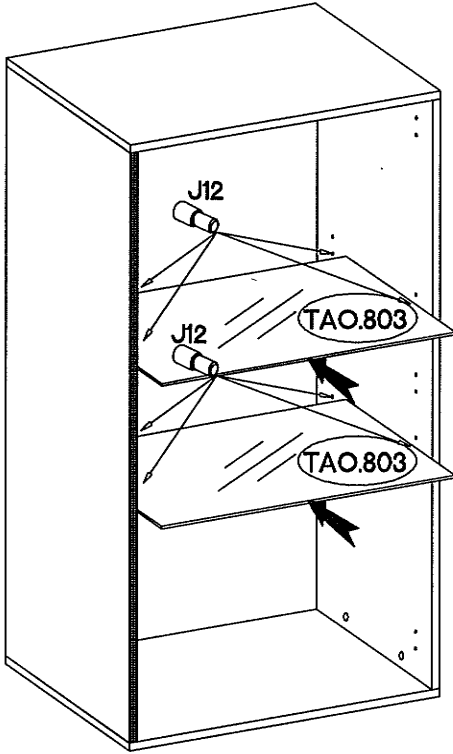




9

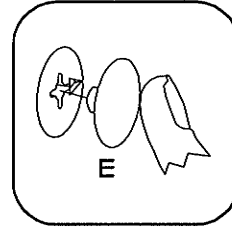
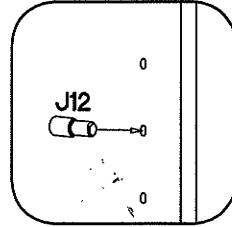
110x50mm	6,5/68mm
	
O7	O4
2	2



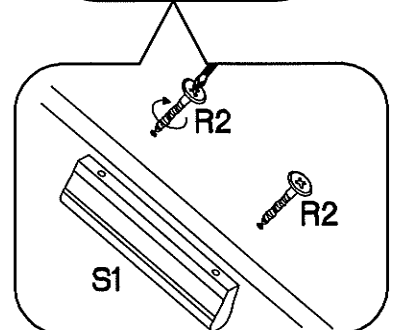
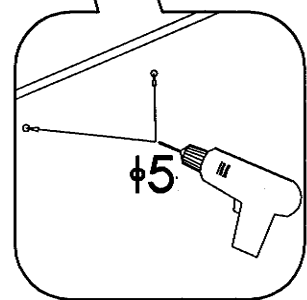
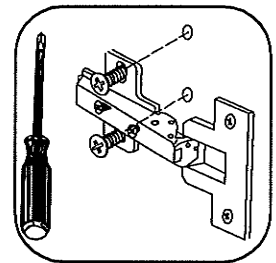
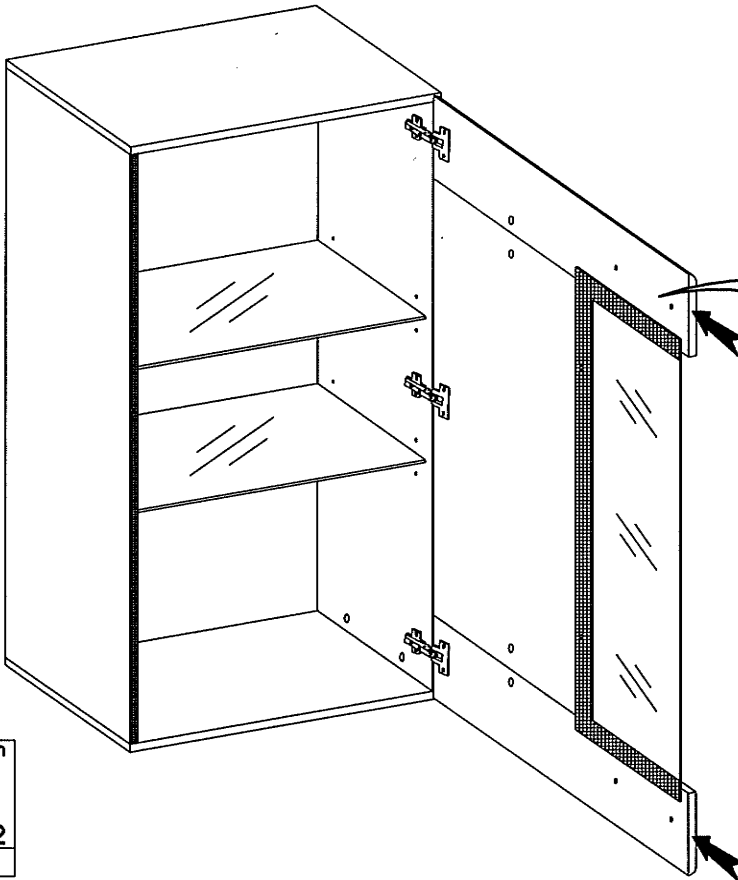
10






	
E	J12
8	8



11



	E
4	
L=128mm	4.0x30mm
	
S1	R2
1	2

