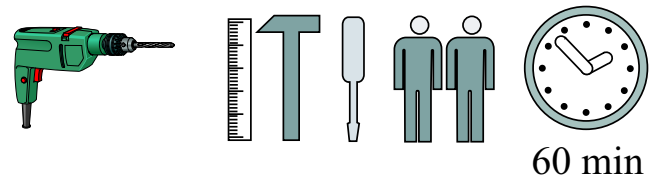
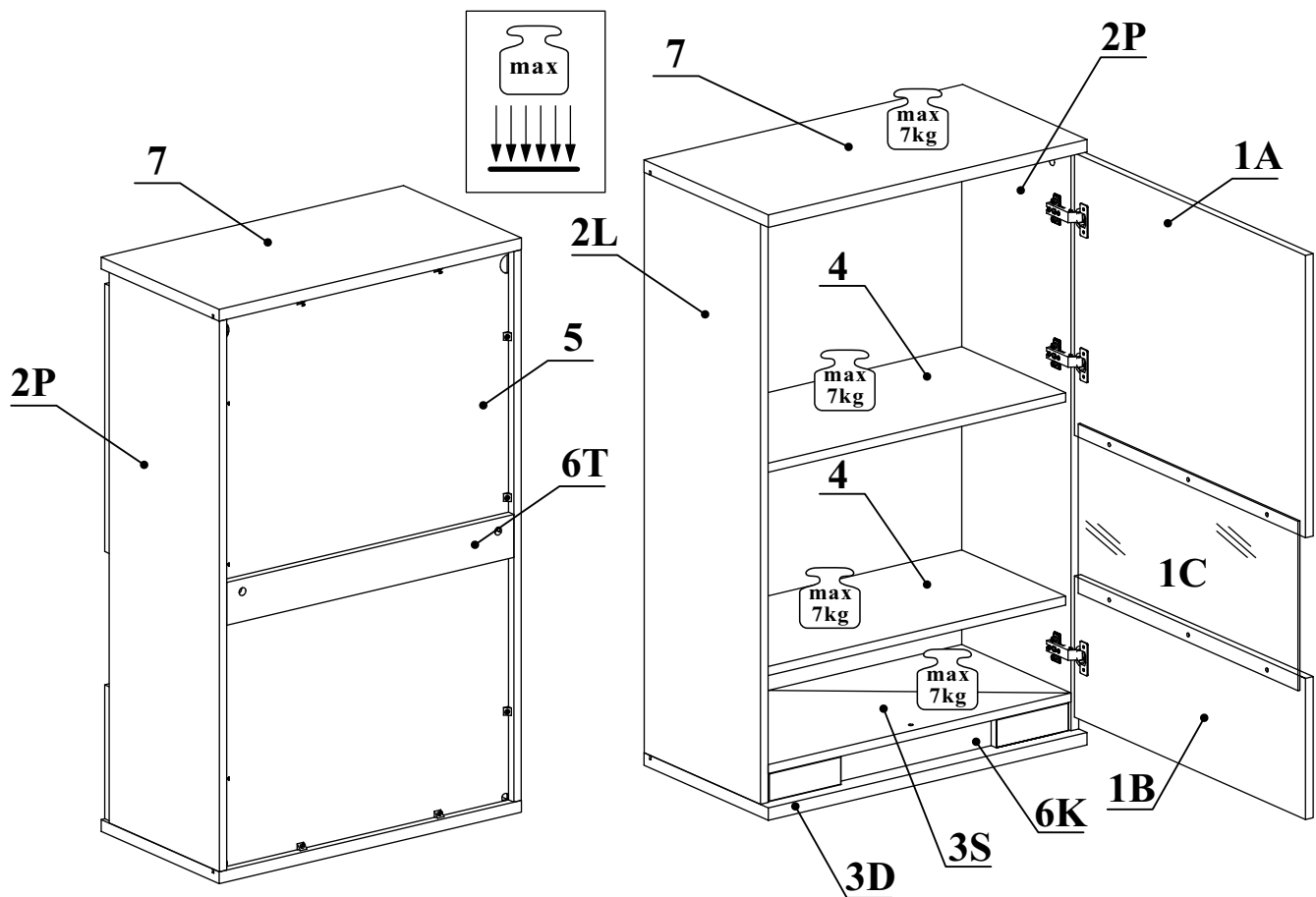


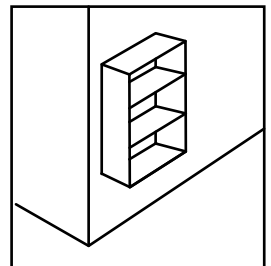
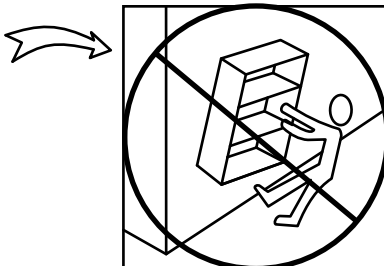
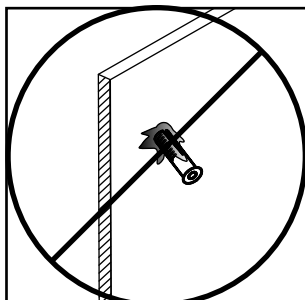
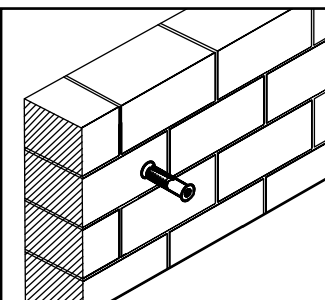
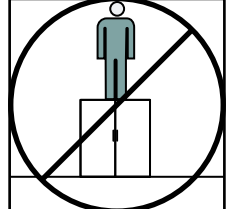
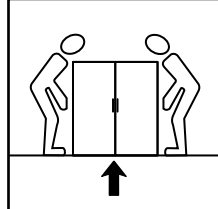
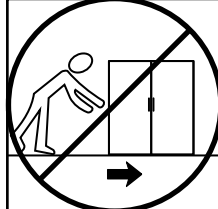
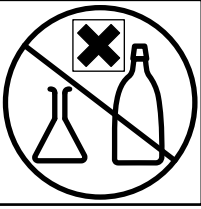
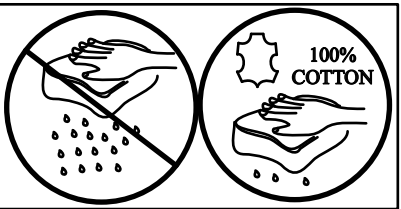
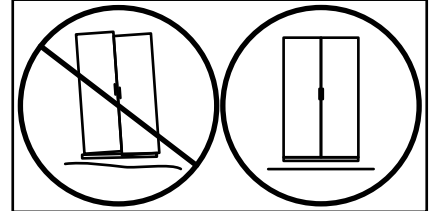
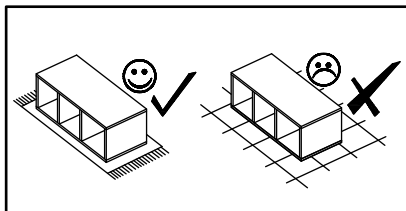
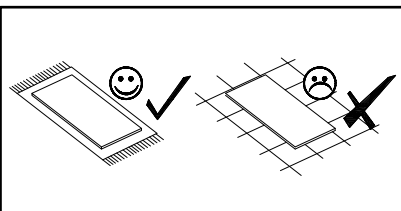
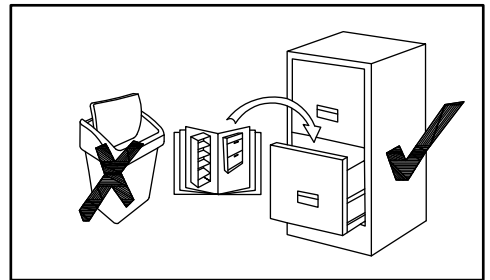
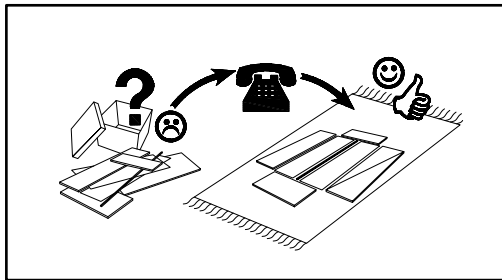
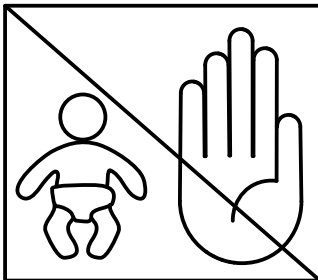
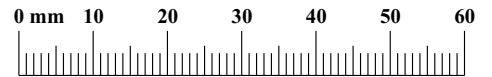
# SCANDAL TYP-23 89-941-\_\_



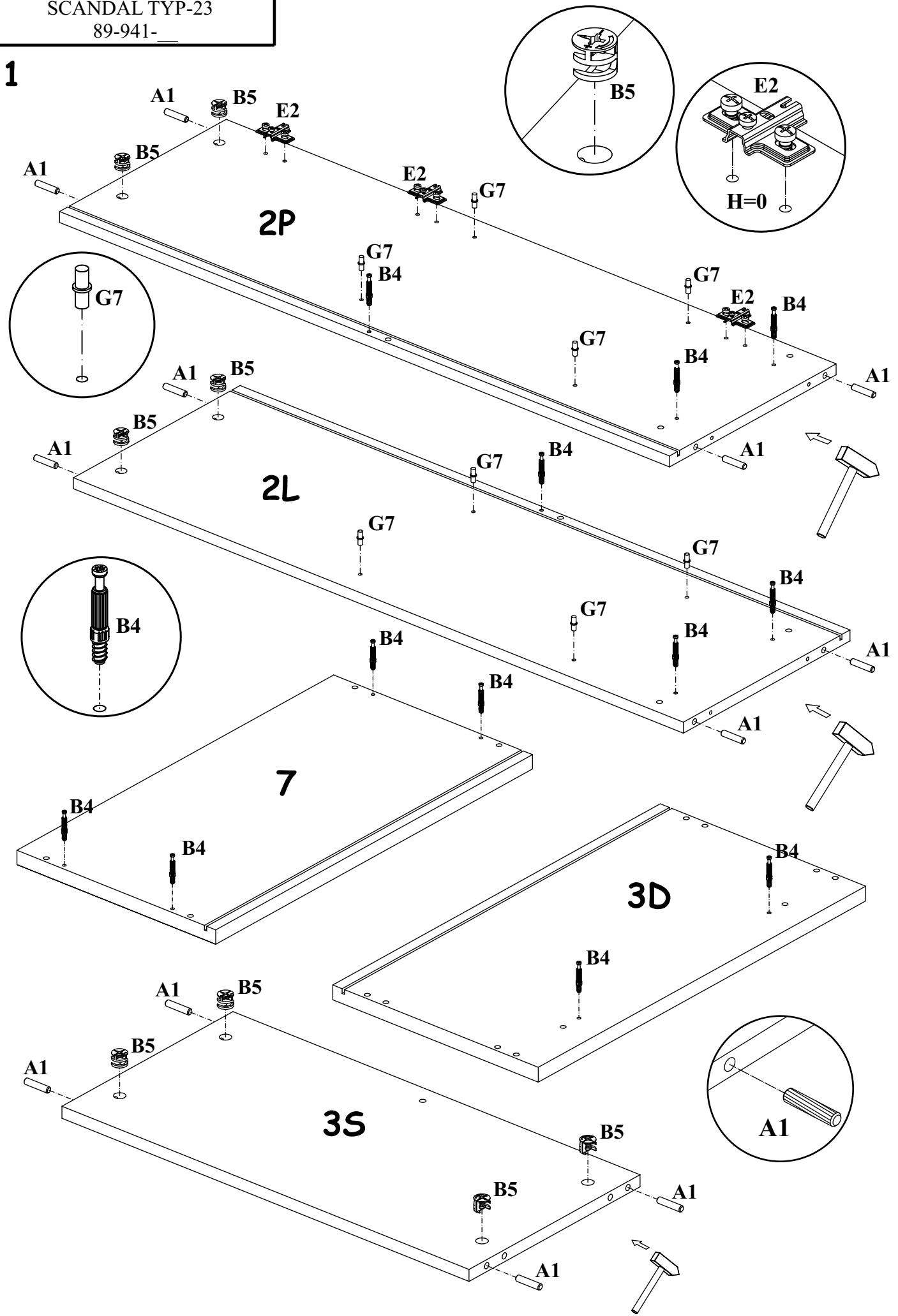
NO	Dim.		Col.-No	Qty
1A	656	500	4	1
1B	656	250	4	1
1C	300	624	4	1
2L	1028	330	4	1
2P	1028	330	4	1
3D	661	353	4	1
4	628	295	4	2
5	1040	639	4	1
6T	628	80	4	1
6K	628	51	4	1
3S	628	310	4	1
7	661	353	4	1

SCANDAL TYP-23  
89-941-\_\_

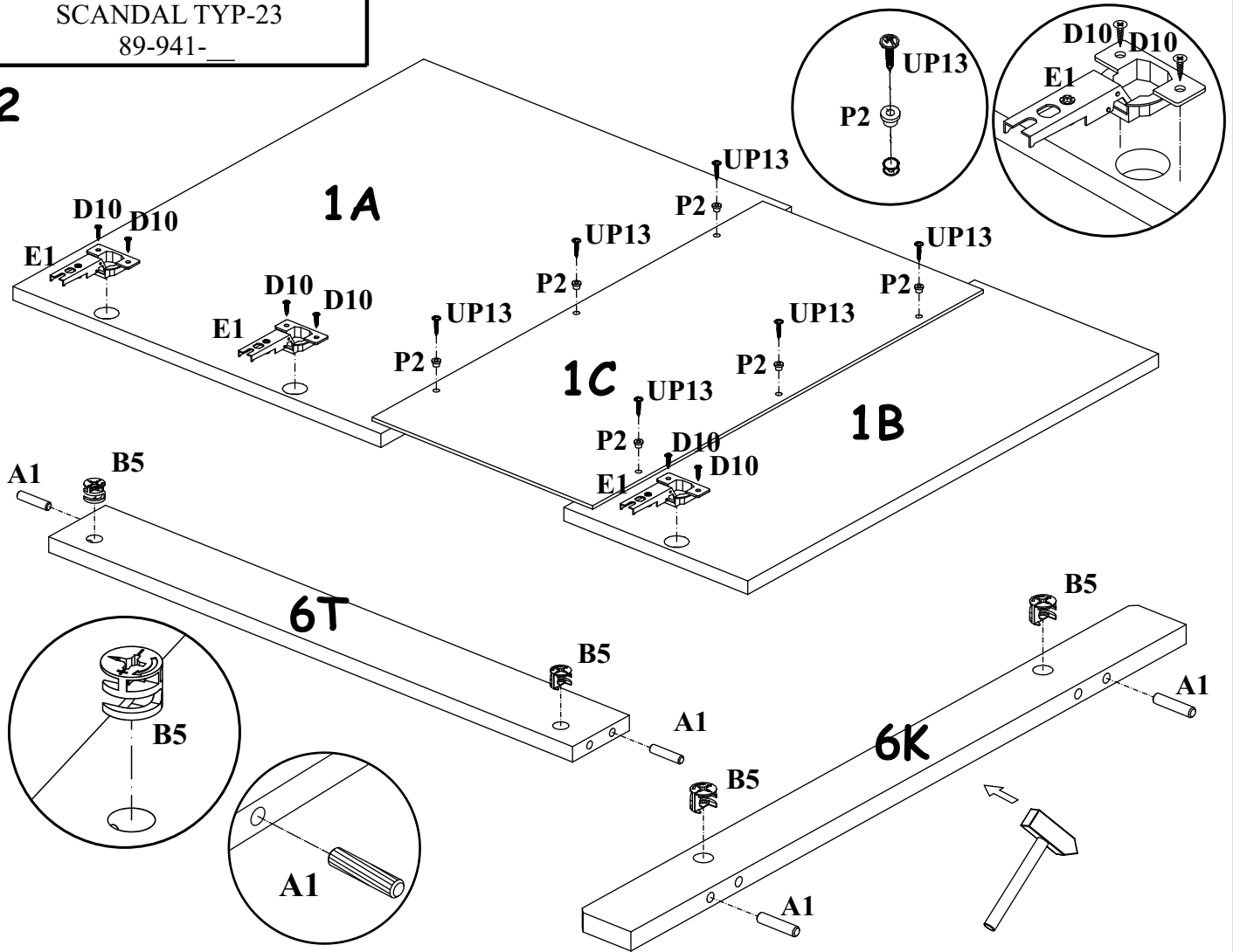
A1 X16 ø8x36	B11 X5 Ø7x50	G4 X5	B4 X12	B5 X12 ø15x12	G5 X12
G7 X8	E1 X3 H=0	E2 X3 H=0	P2 X6	UP13 X6 UPØ3x16	G2 X1
S1 X10	ZR1 X2	D10 X6 USØ3,5x13	SZ1 X2	LED X2 e1	D6 X4 USØ3,5x30



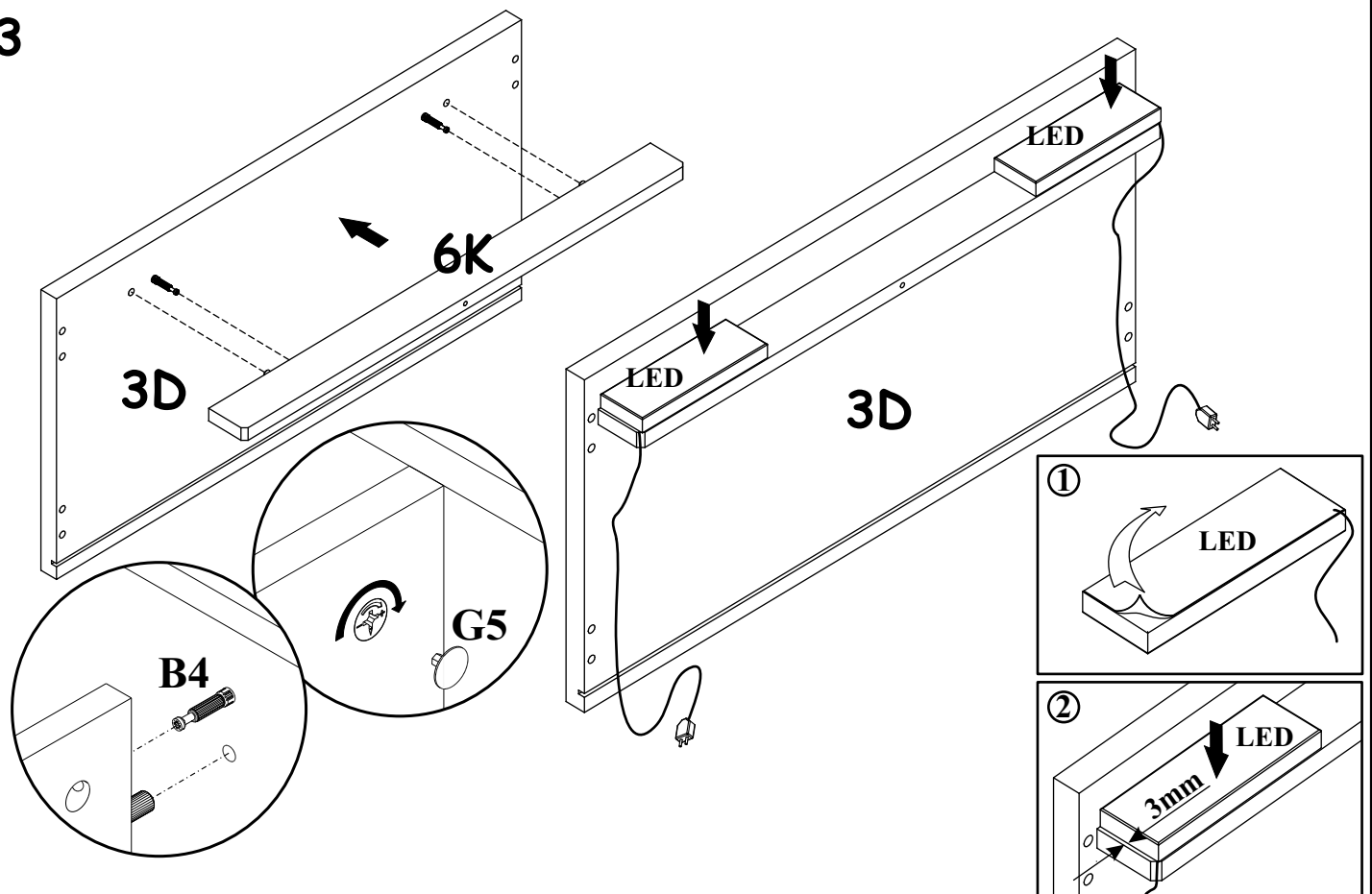
1



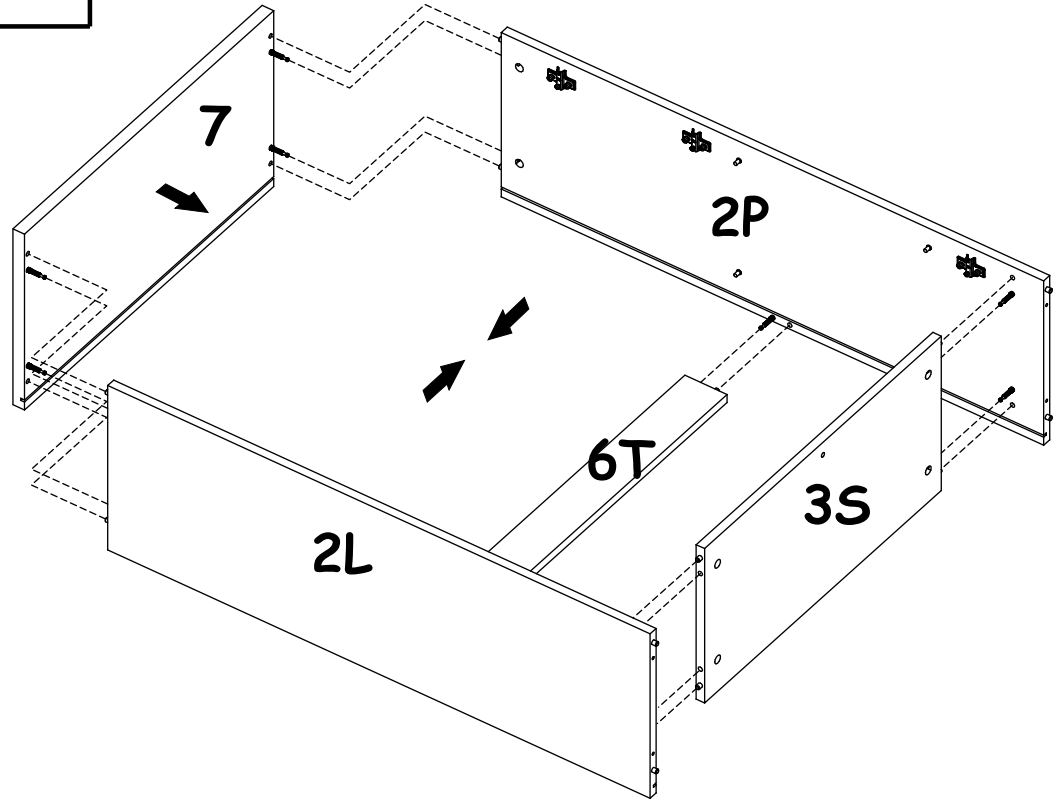
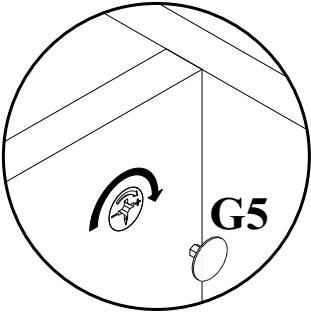
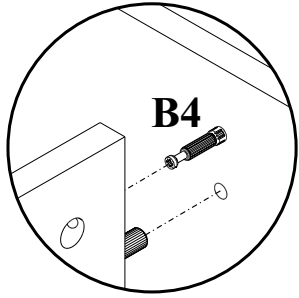
2



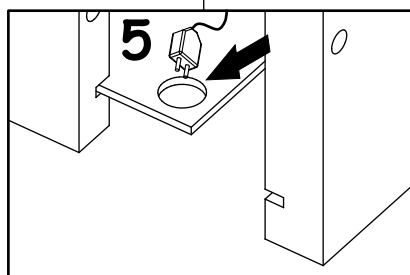
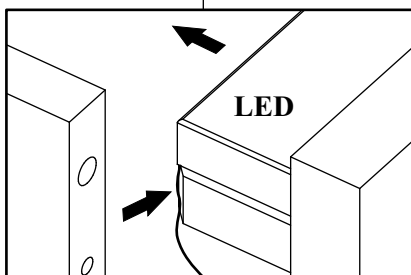
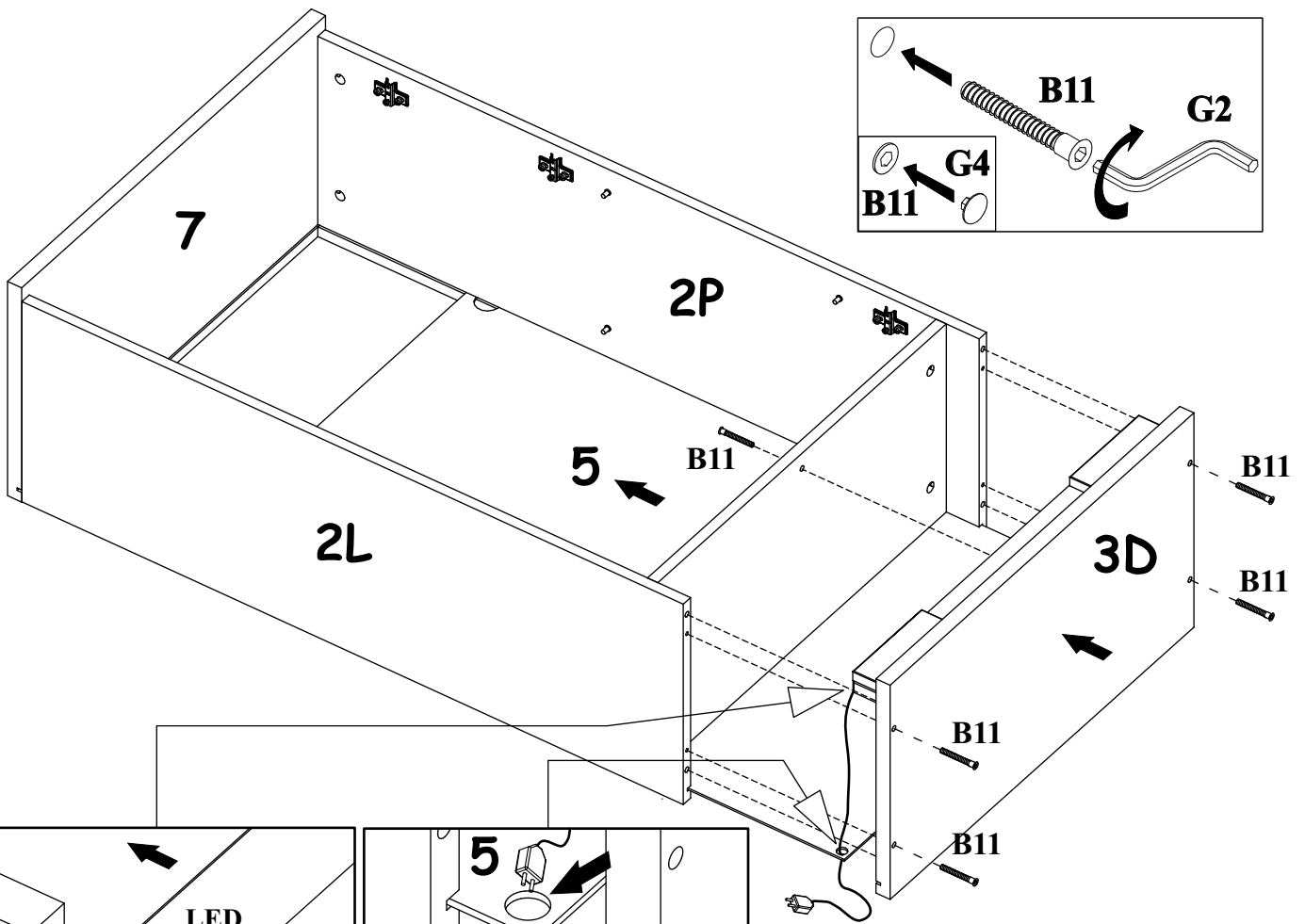
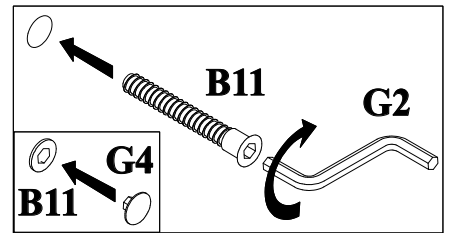
3



4

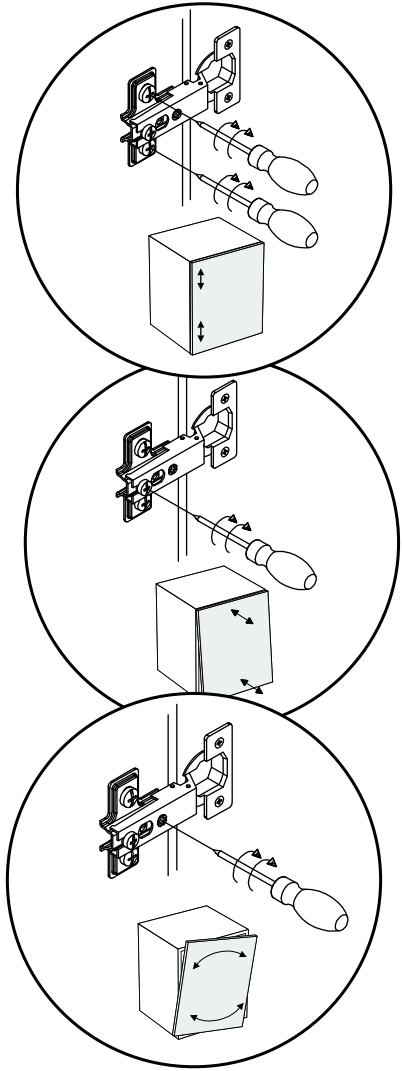
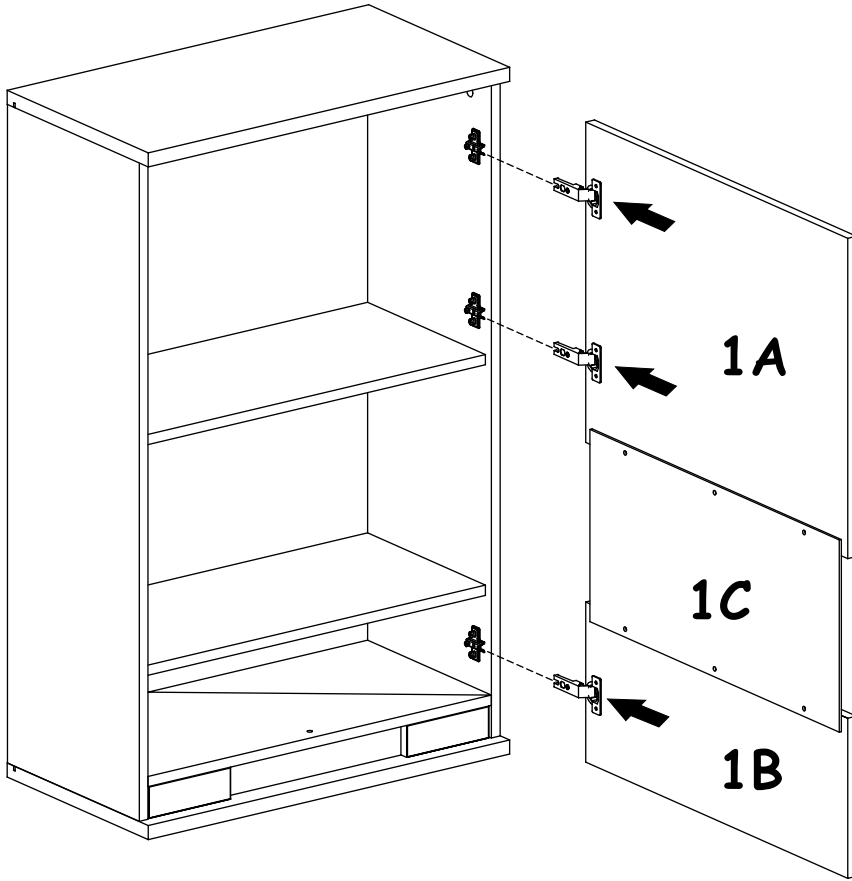


5





8



9

