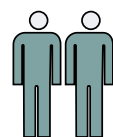
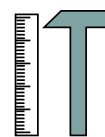
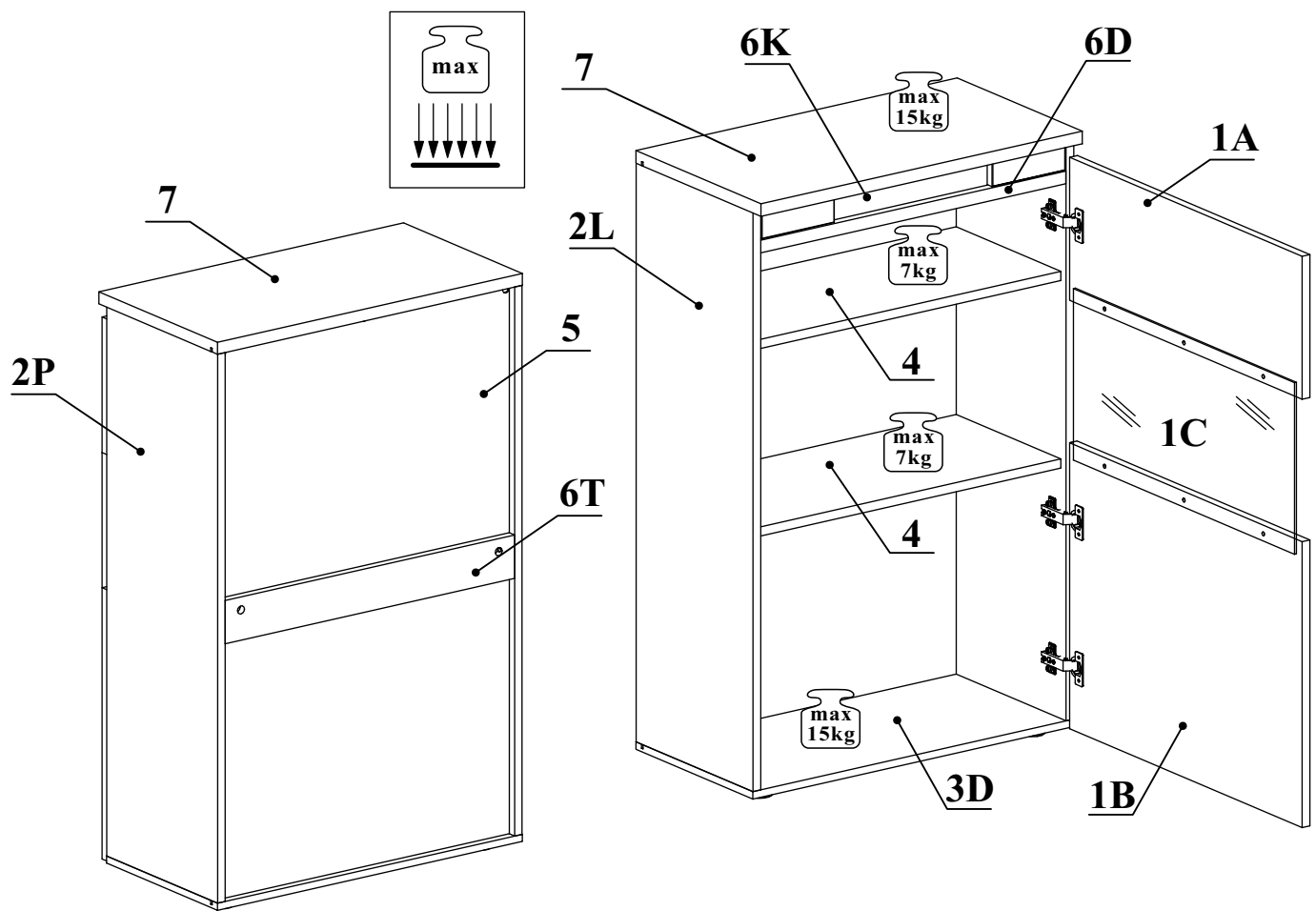


SCANDAL TYP-45 89-941-__

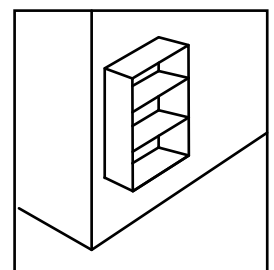
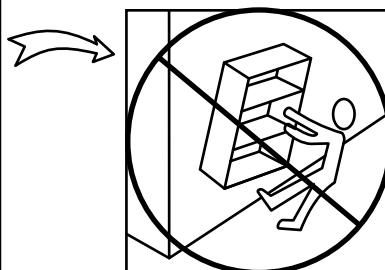
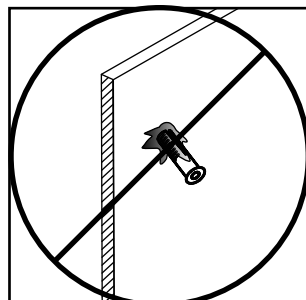
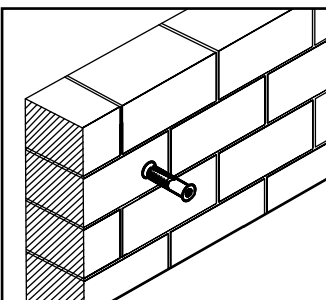
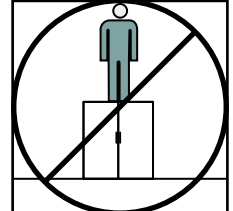
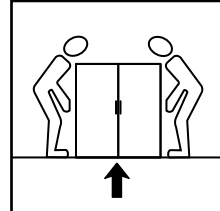
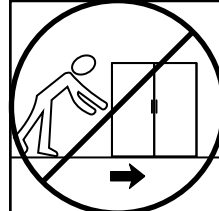
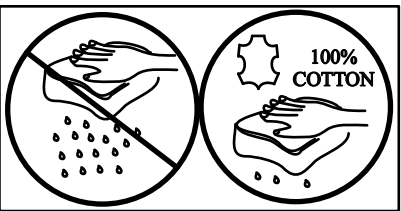
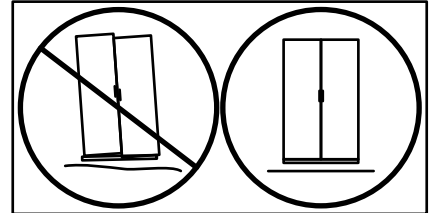
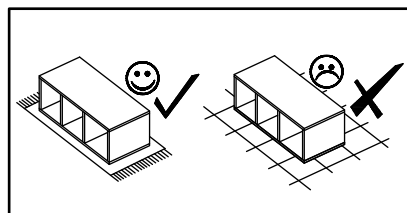
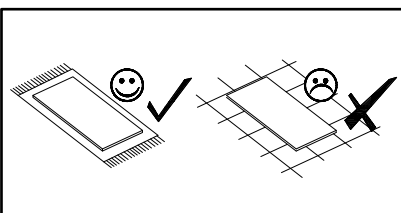
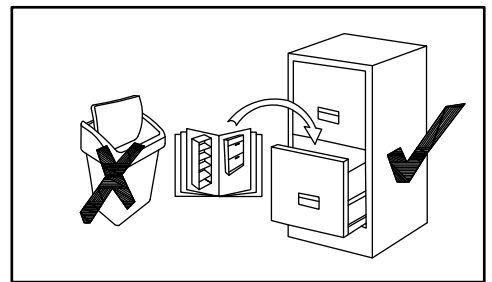
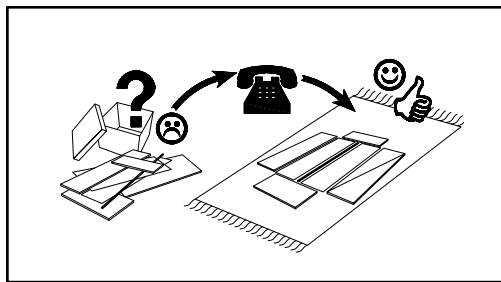
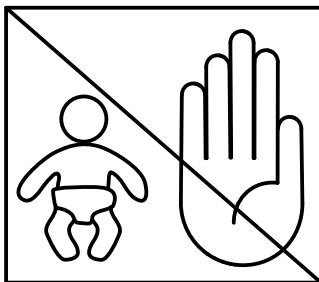
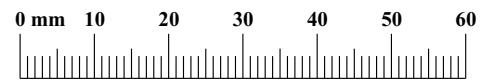


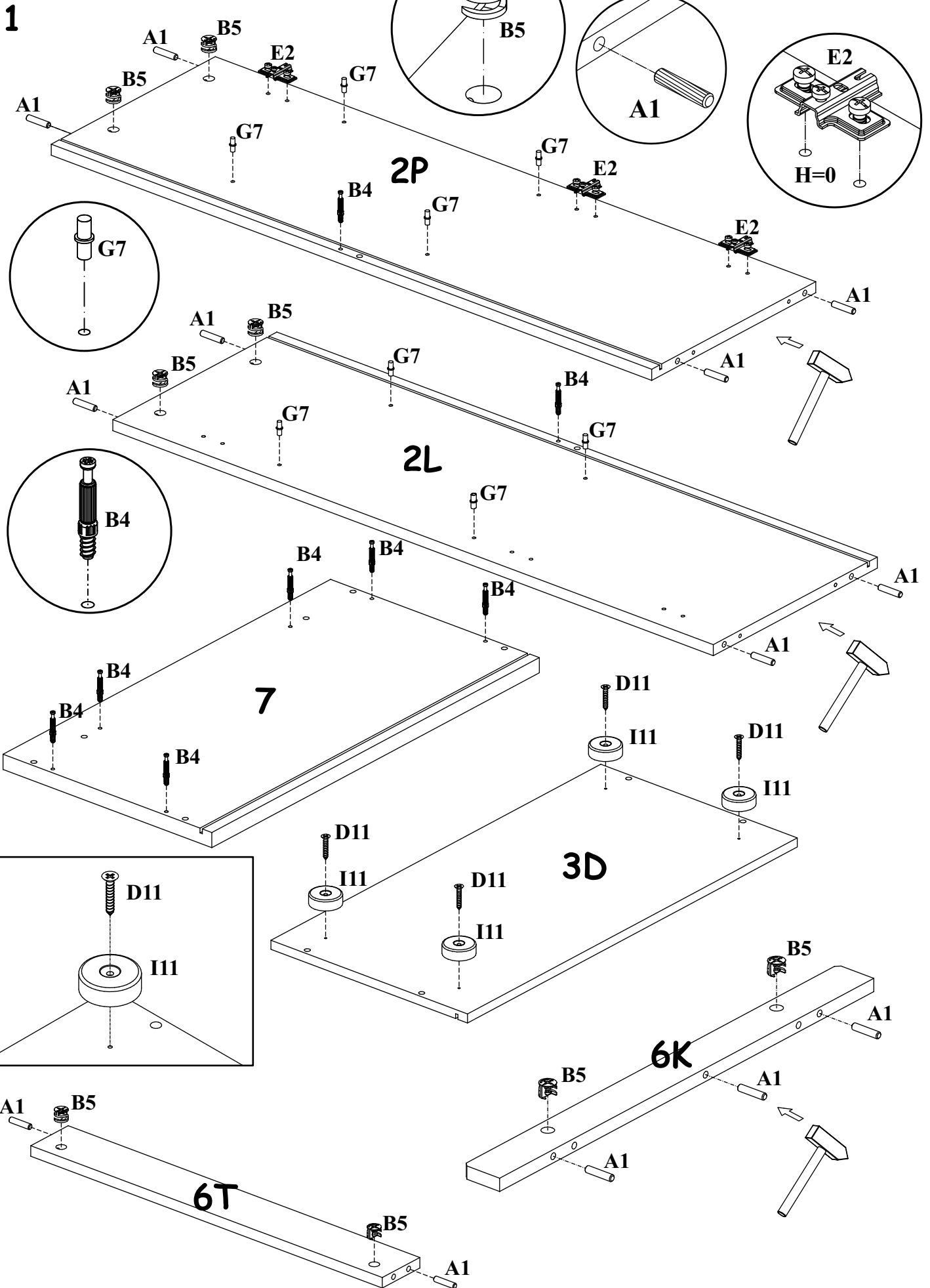
60 min

NO	Dim.		Col.-No	Qty
1A	656	250	3	1
1B	656	500	3	1
1C	300	624	3	1
2L	1012	330	3	1
2P	1012	330	3	1
3D	661	330	3	1
4	628	295	3	2
5	1023	639	3	1
6T	628	80	3	1
6K	628	51	3	1
6D	628	40	3	1
7	661	353	3	1

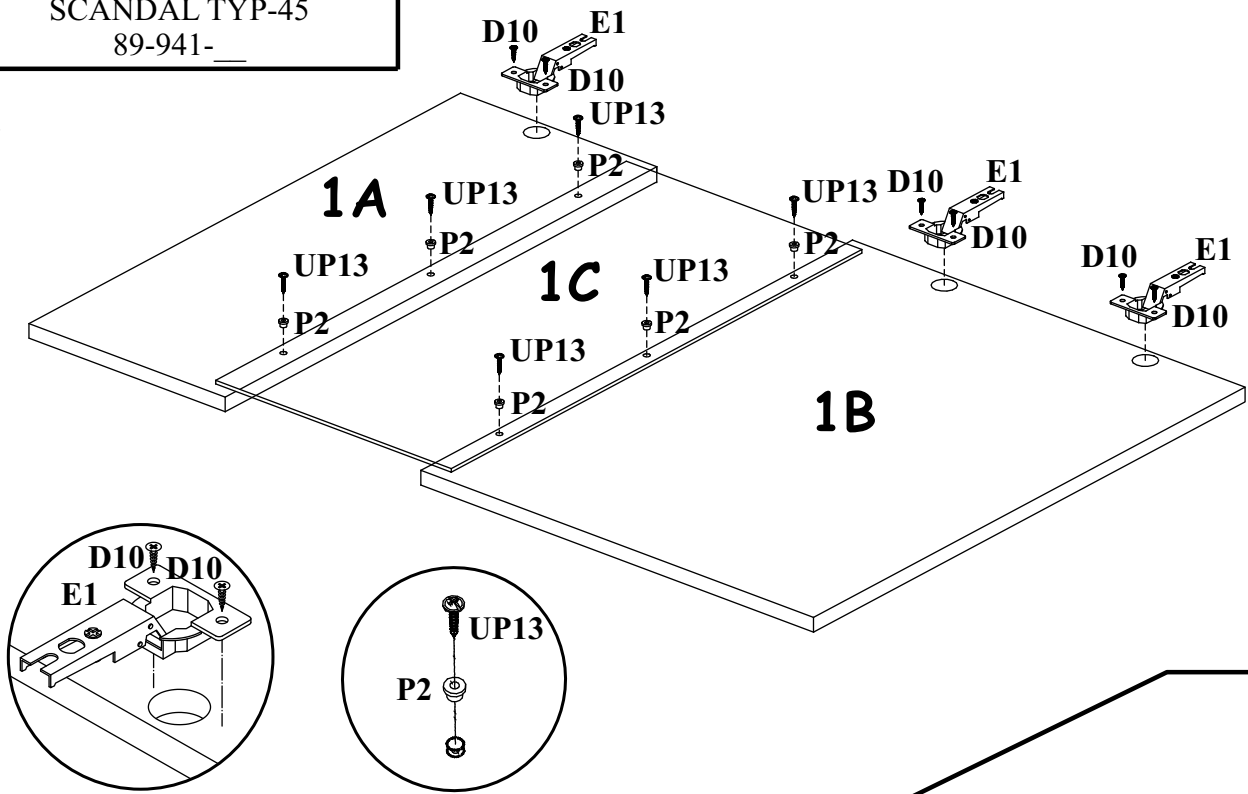
SCANDAL TYP-45
89-941-__

A1 X12 ø8x36	B11 X6 Ø7x50	G4 X6	B4 X8	B5 X8 ø15x12	G5 X8
KR1 X1	L1 X1	G7 X8	E1 X3 H=0	E2 X3 H=0	UP13 X6 UPØ3x16
S1 X10	I11 X4	D10 X8 USØ3,5x13	G2 X1	D11 X4 USØ3,5x25	LED X2
P2 X6	M01 X2				

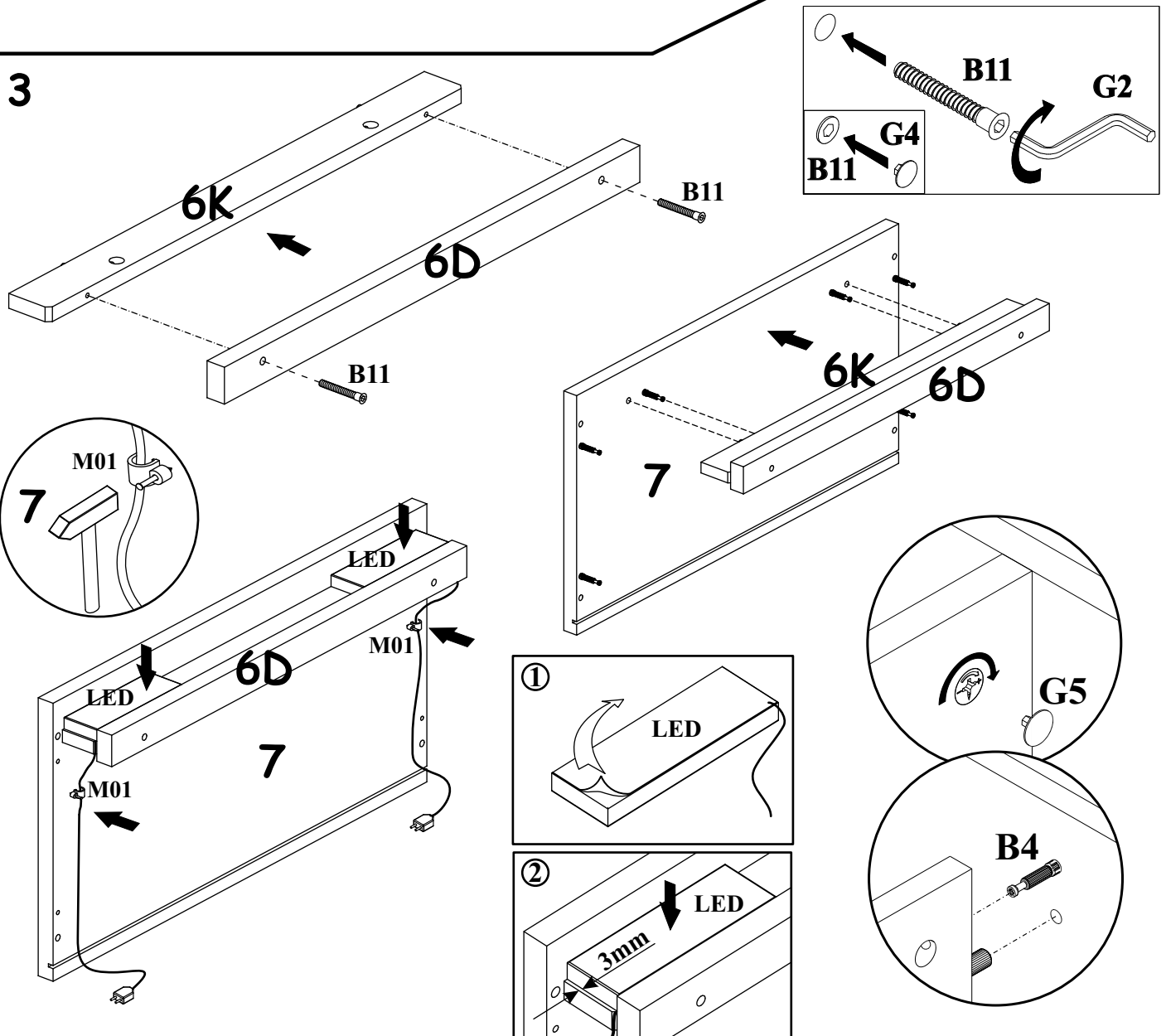




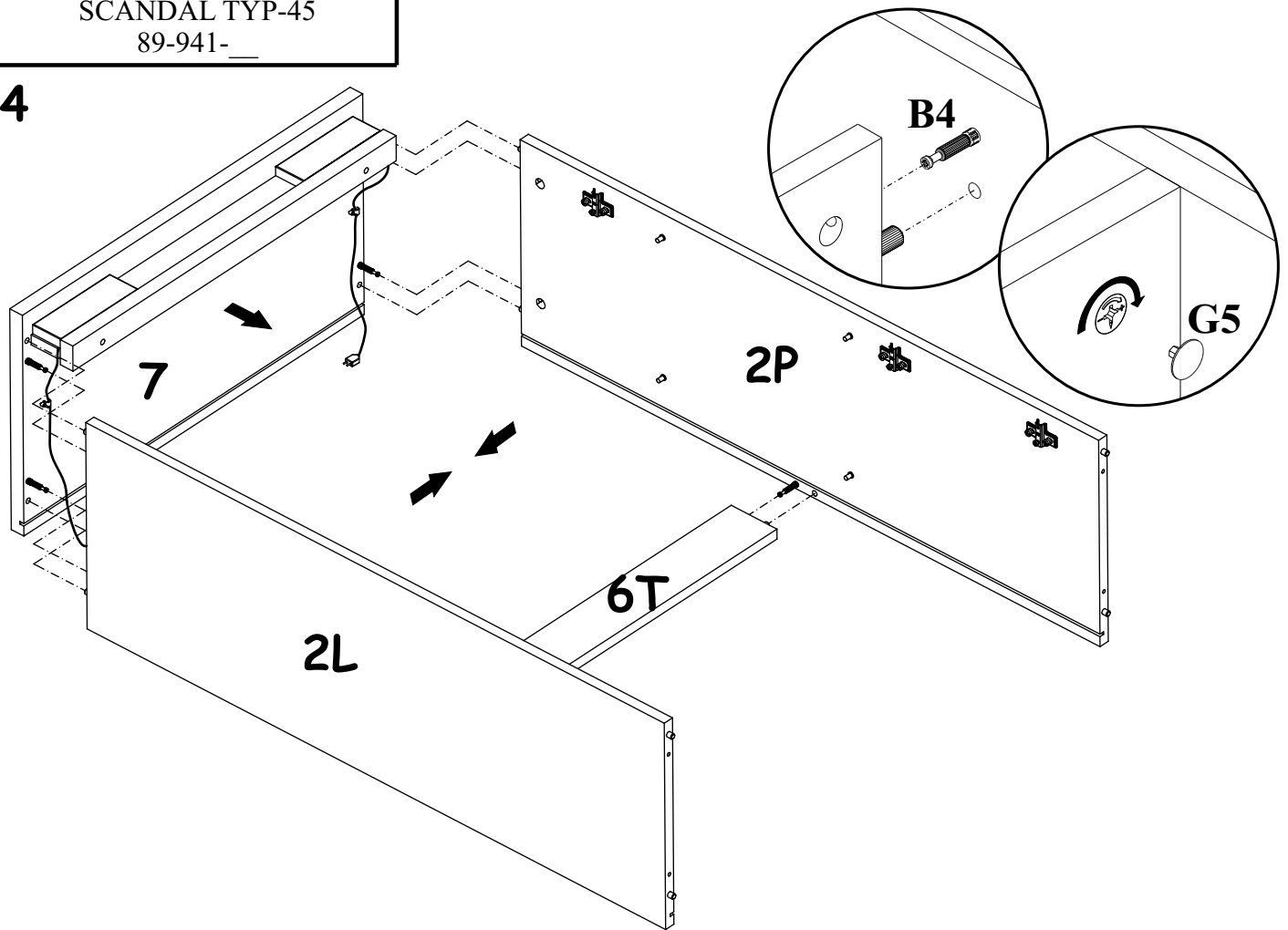
2



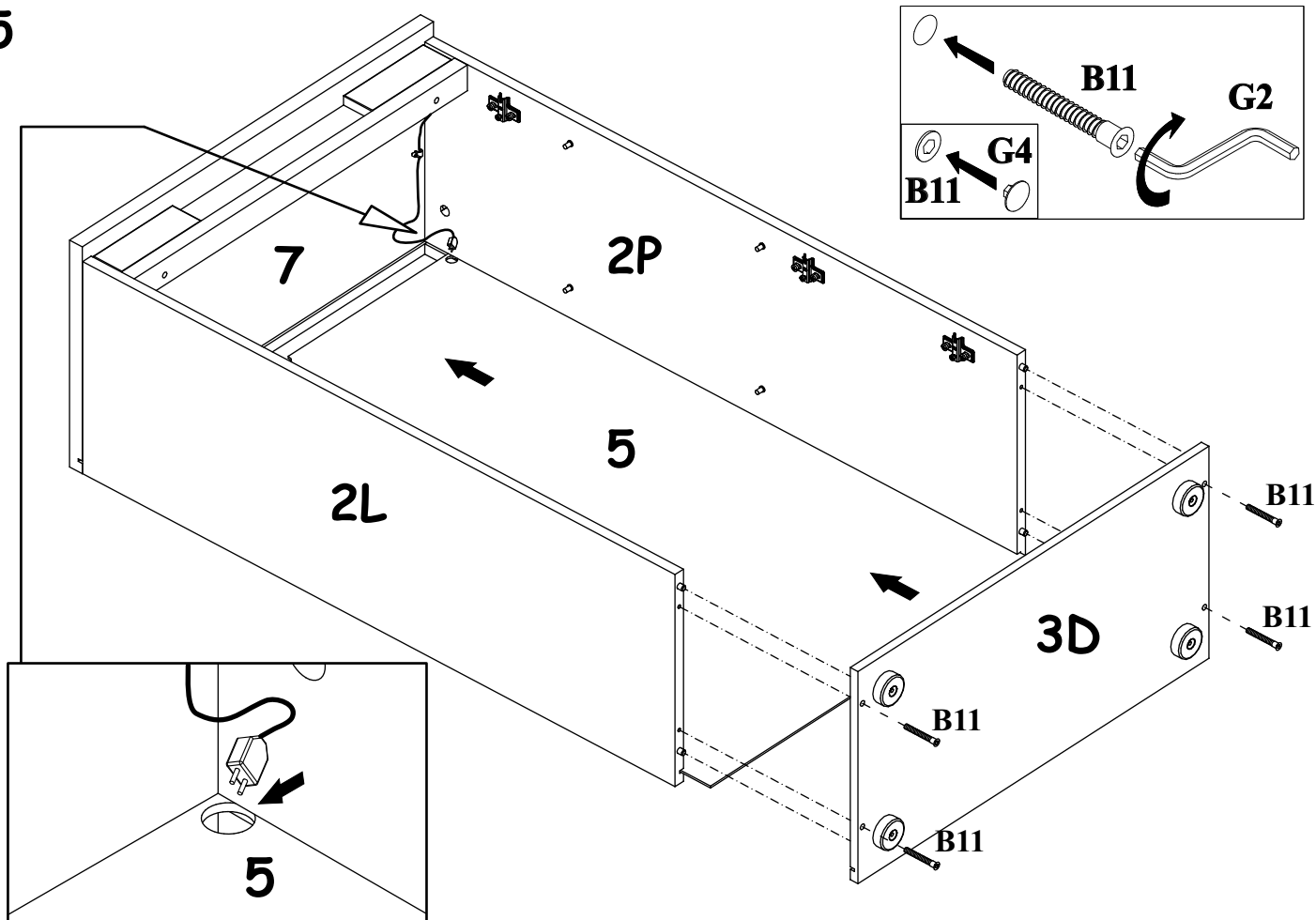
3



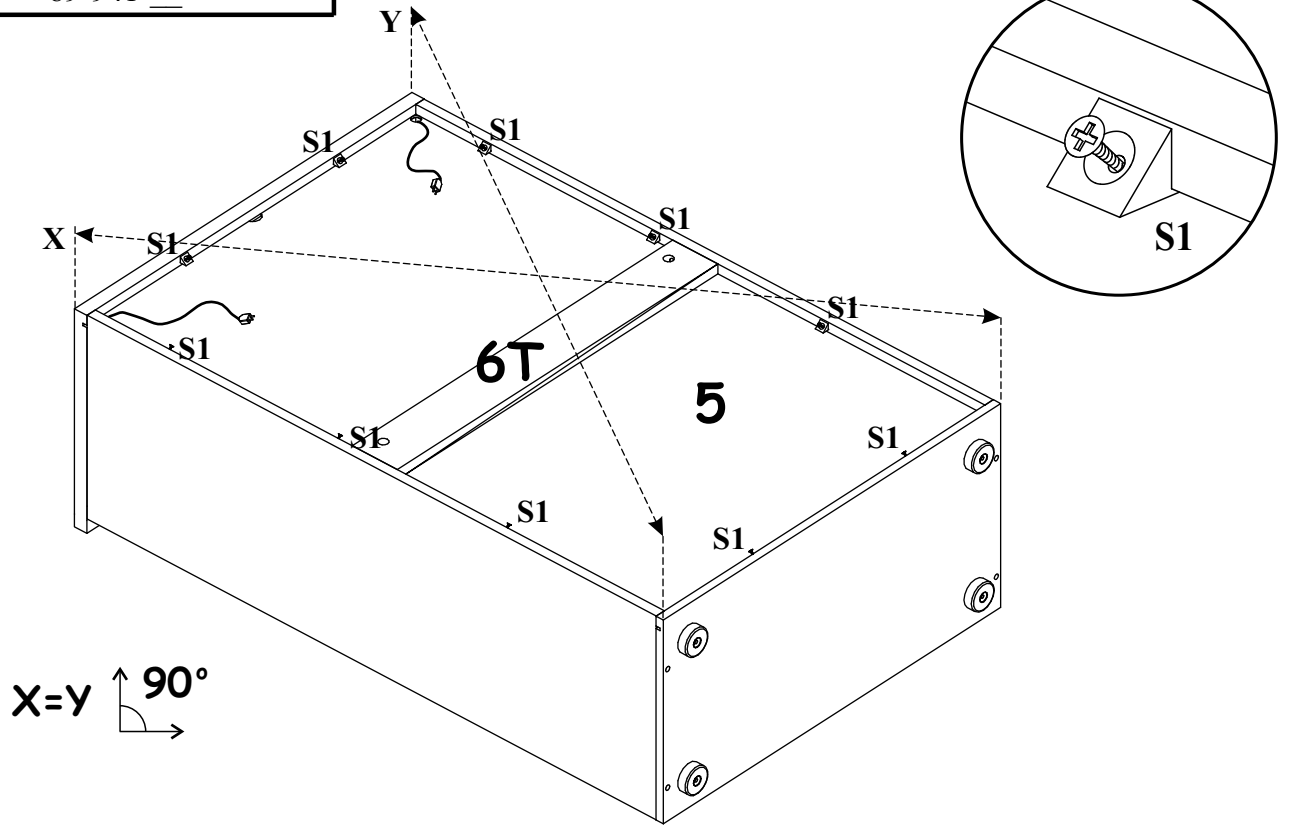
4



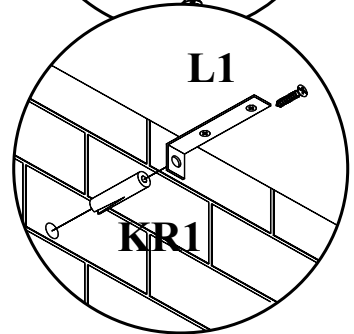
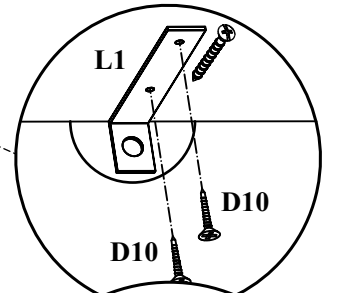
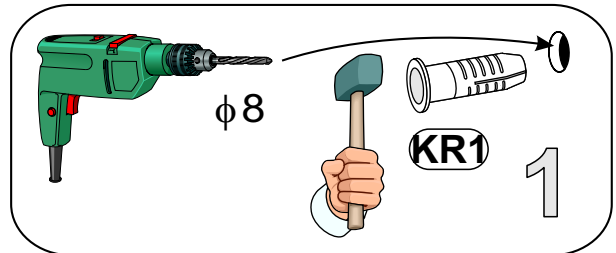
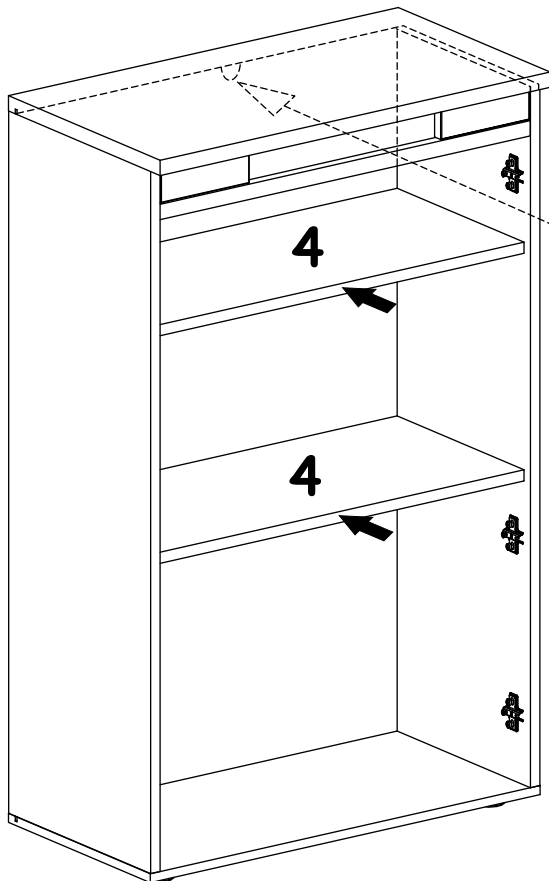
5



6



7



8

