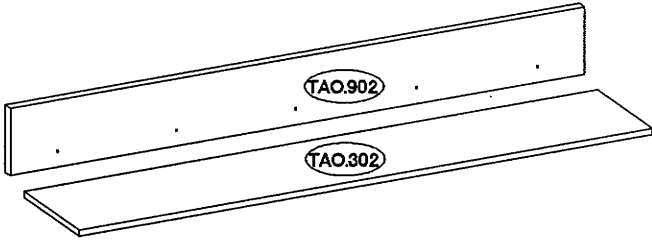
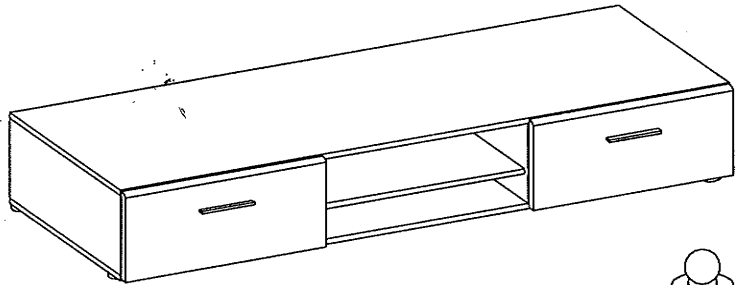
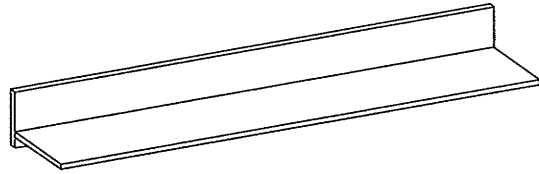





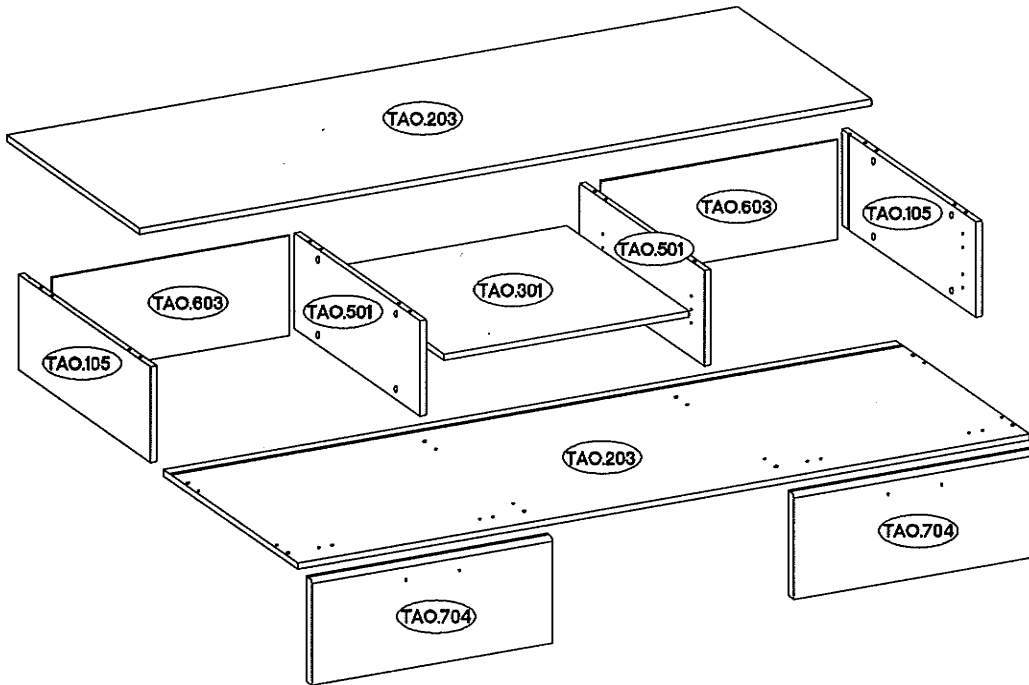
TANGO 316









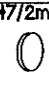















TAO.302 =  max. 2kg



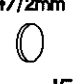
TAO.301 =  max. 5kg

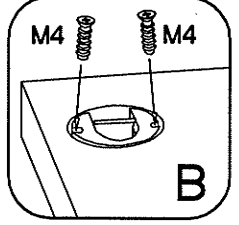
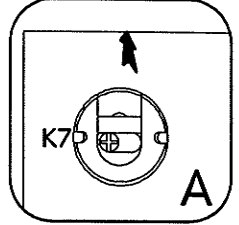
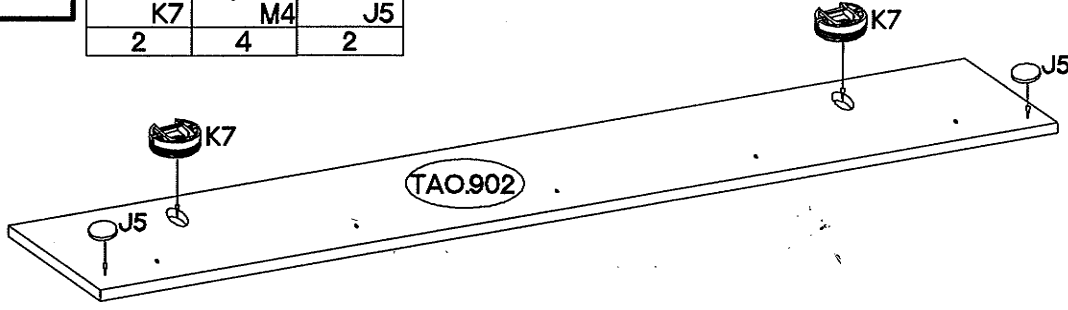
TAO.203 =  max. 20kg




	 H0	 G35/0mm	 P5	 K7	 M4	 O3	 O7	 P18	 J5	 P11	
	4	4	8	2	4	2	2	5	2	10	
 D2	 C	 A	 L	 E	 F10	 P14	 S1	 R2	 K13	 J1	 P5
16	16	16	4	16	6	6	2	4	2	4	6

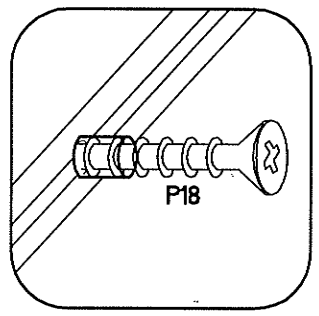
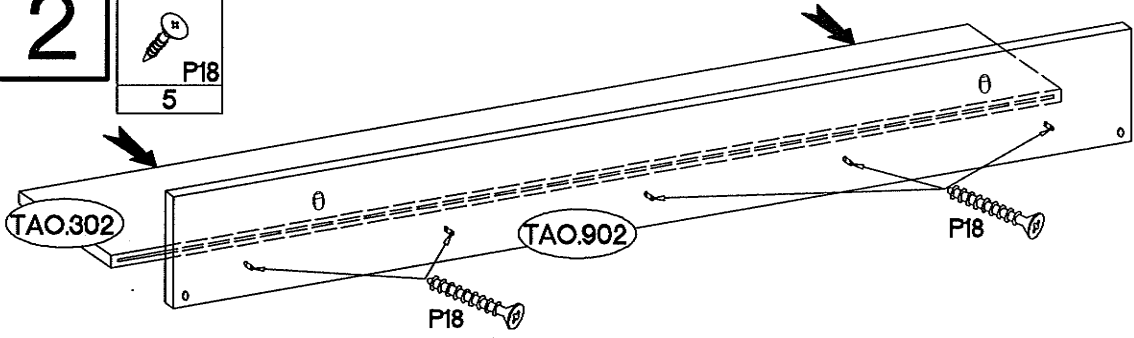
1

	+6,3x9mm 	+7/2mm 
K7	M4	J5
2	4	2

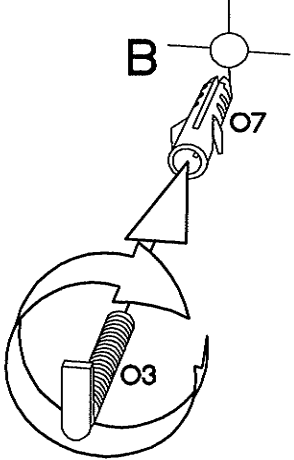
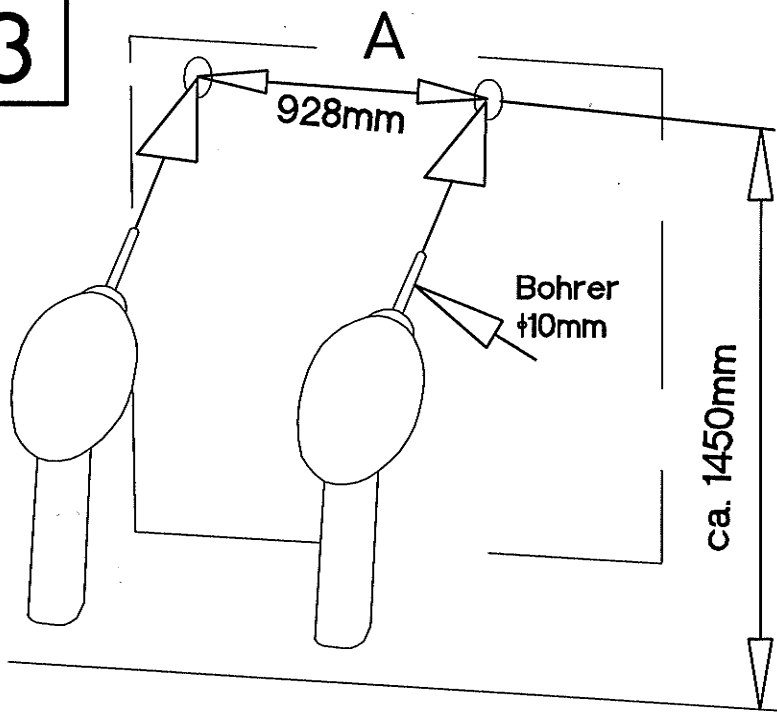




2

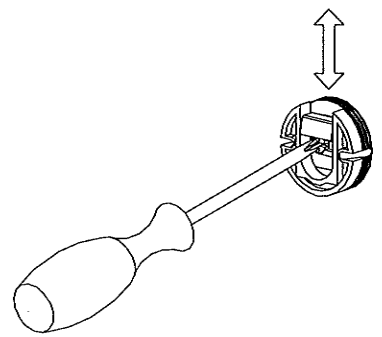
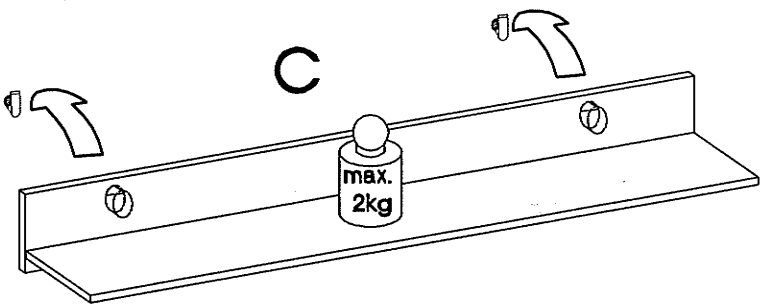
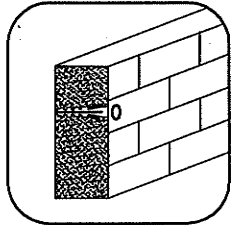
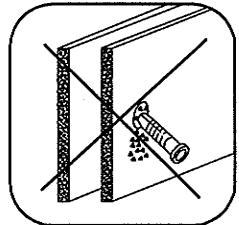
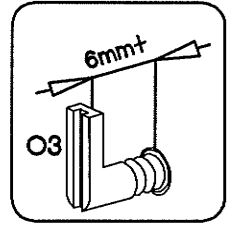
+4x70mm 
P18
5







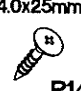
3

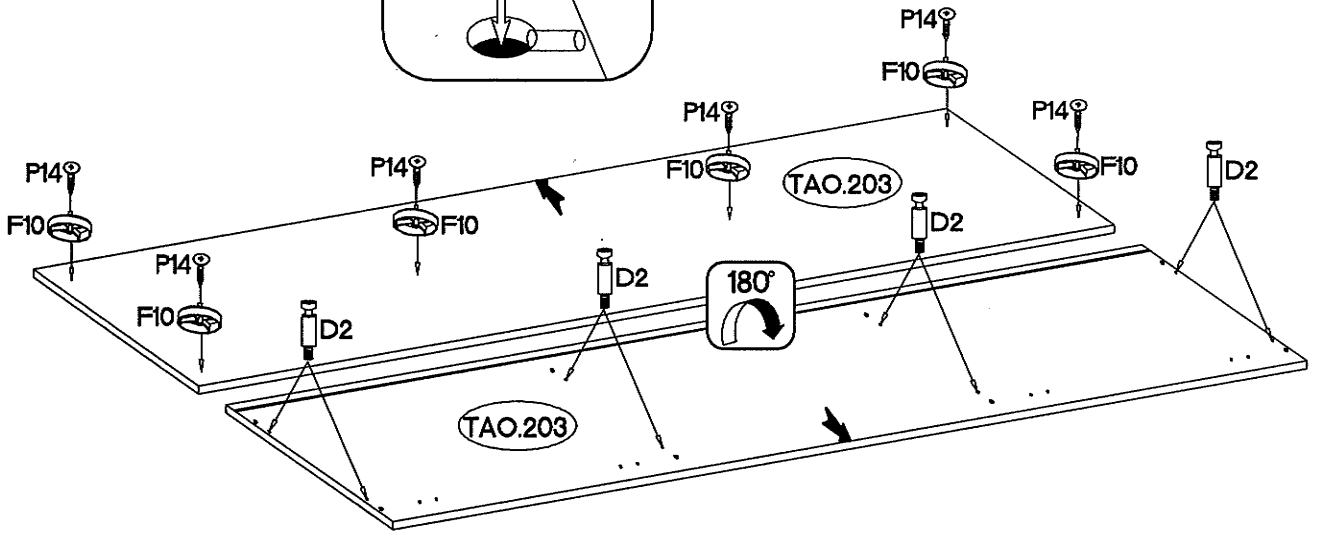
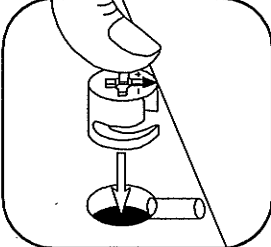
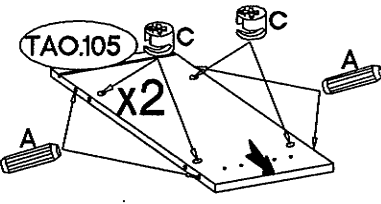
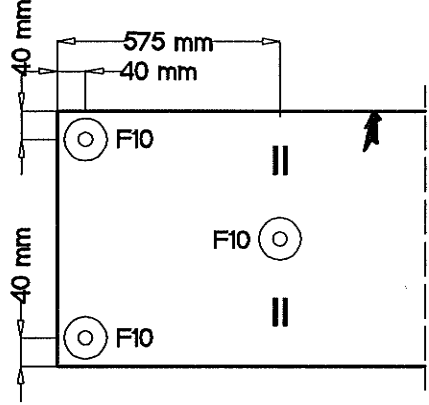
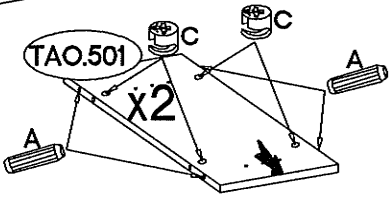
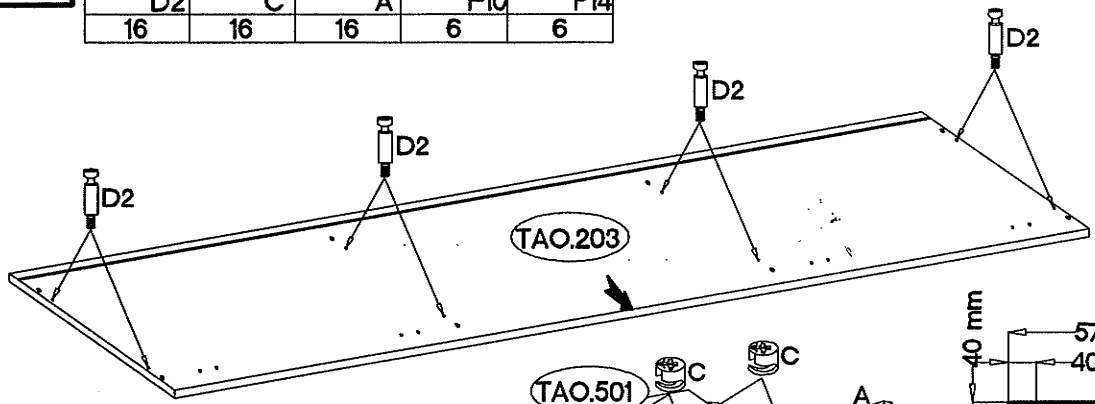
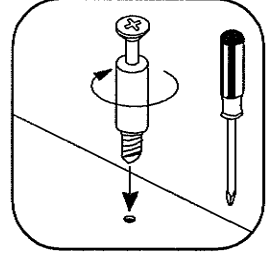


5/45mm 	+10x50mm 
O3	O7
2	2




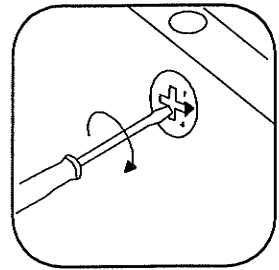
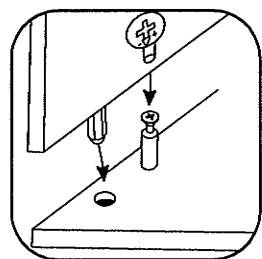
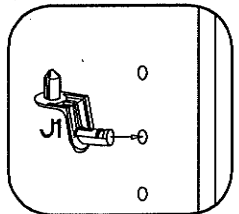
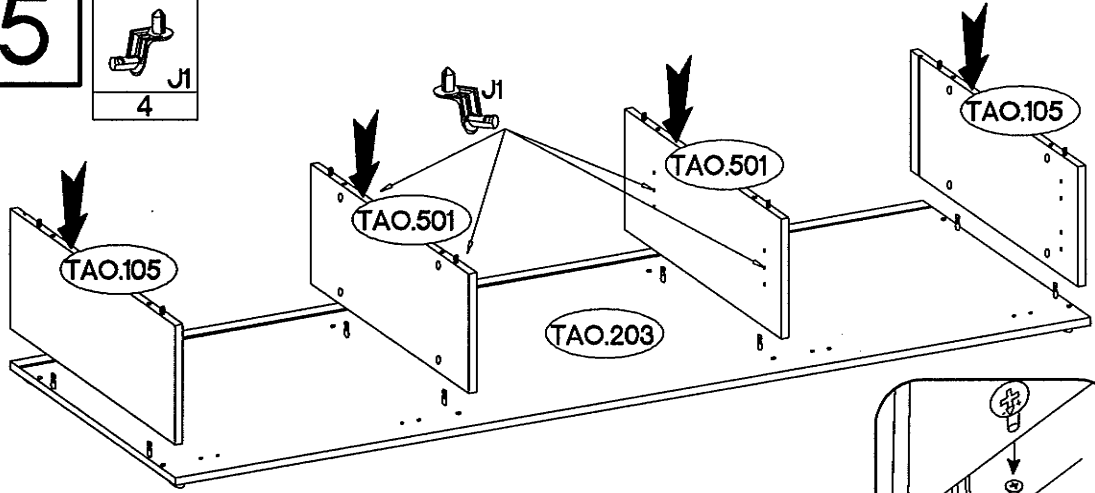
4

L-20mm  D2 16	15/12mm  C 16	18x30mm  A 16	 F10 6	14.0x25mm  P14 6
---	---	---	---	--

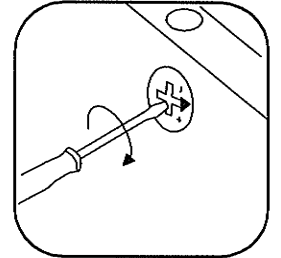
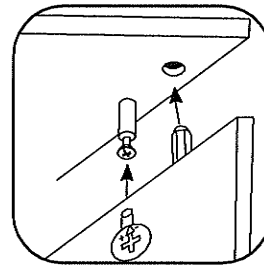
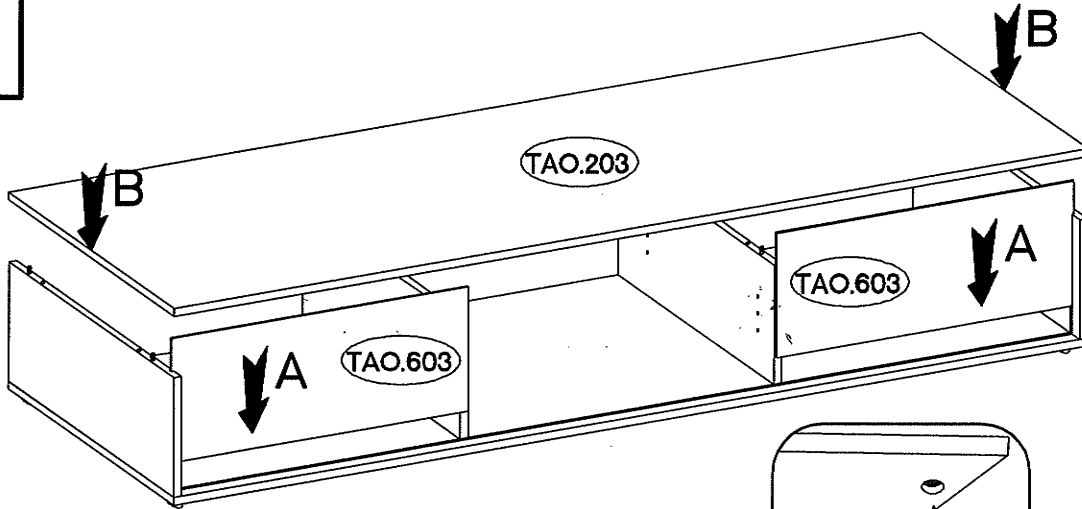


5

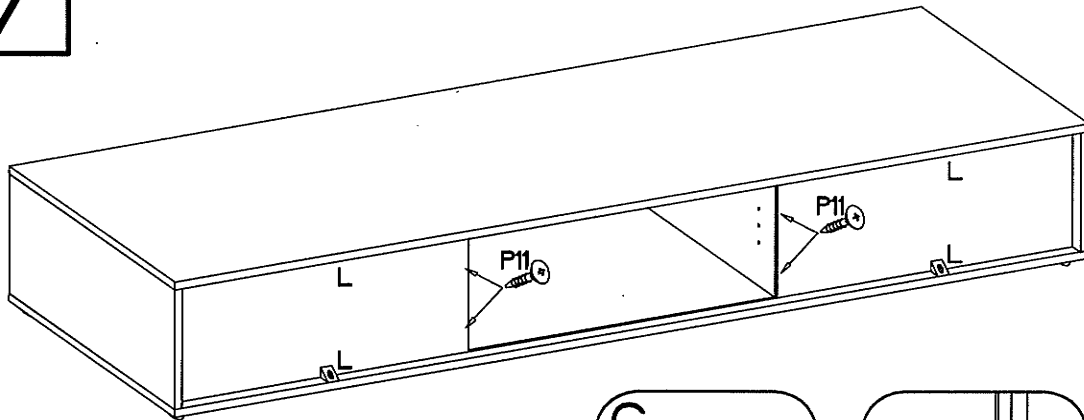
15  J1 4
--



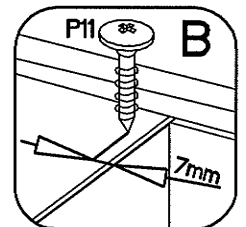
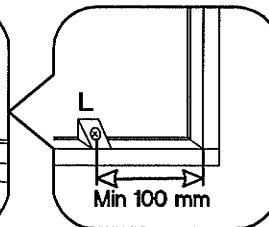
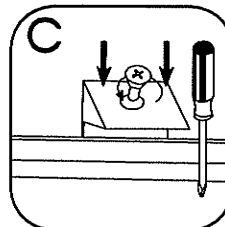
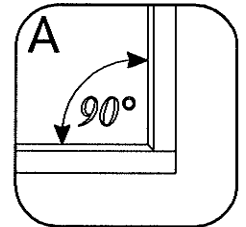
6



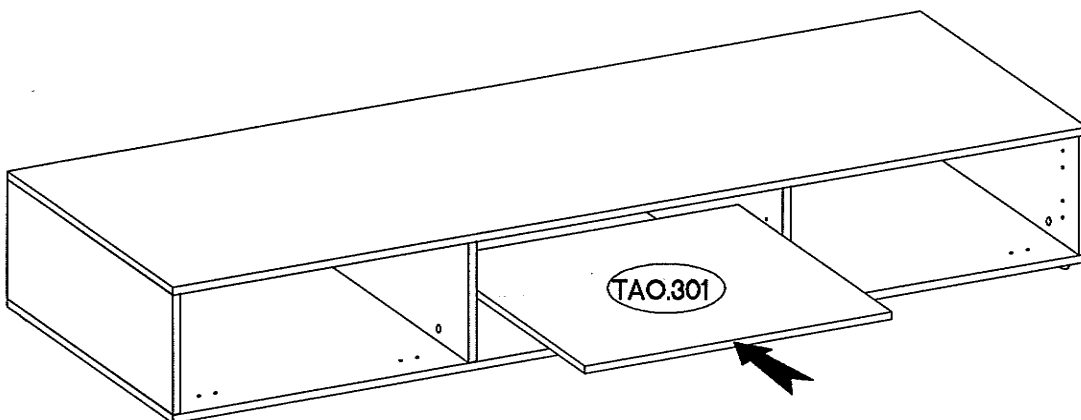
7








	3.0x16mm
L	P11
4	4

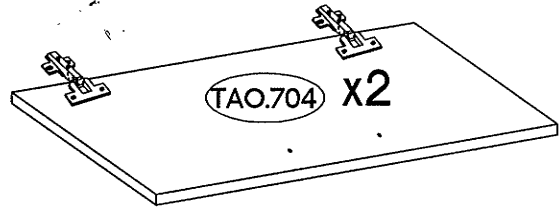
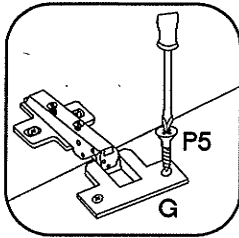
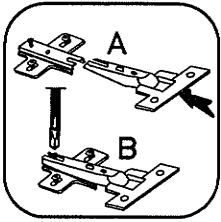
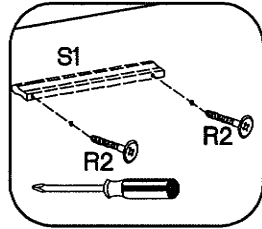


8





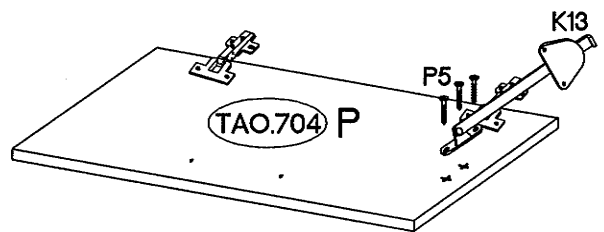
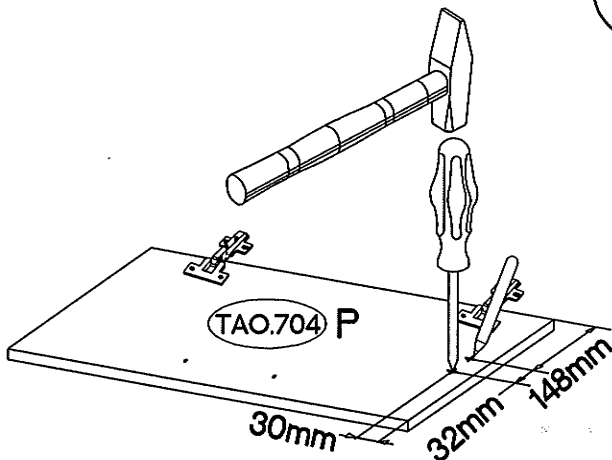
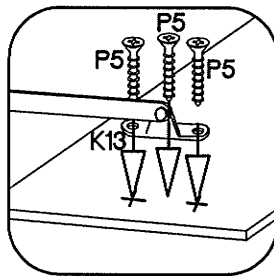
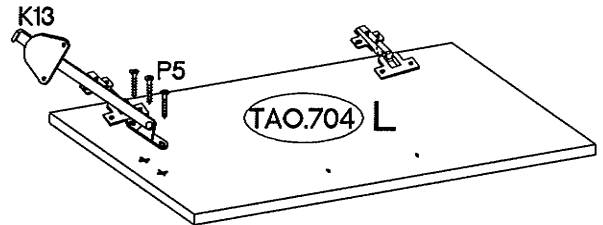
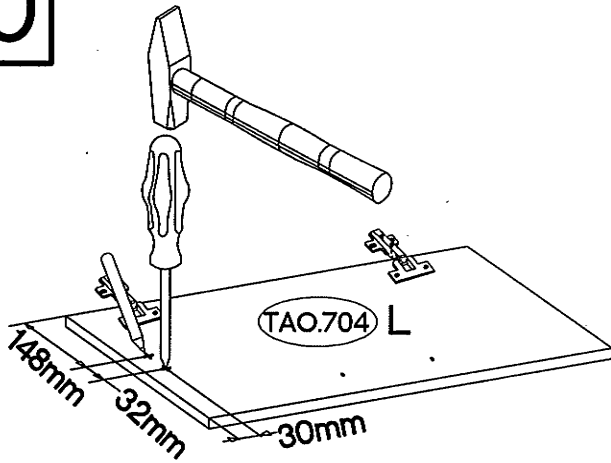
9

 H-0 4	 135/0mm G 4	 13.5x13mm P5 8	 L=128mm S1 2	 4.0x30mm R2 4
---	--	---	---	--




10

 13.5x13mm P5 6	 K13 2
--	---



11

	#3.0x16mm
E	P11
16	6

