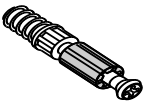

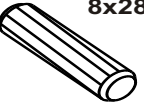
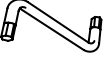







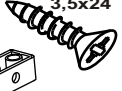


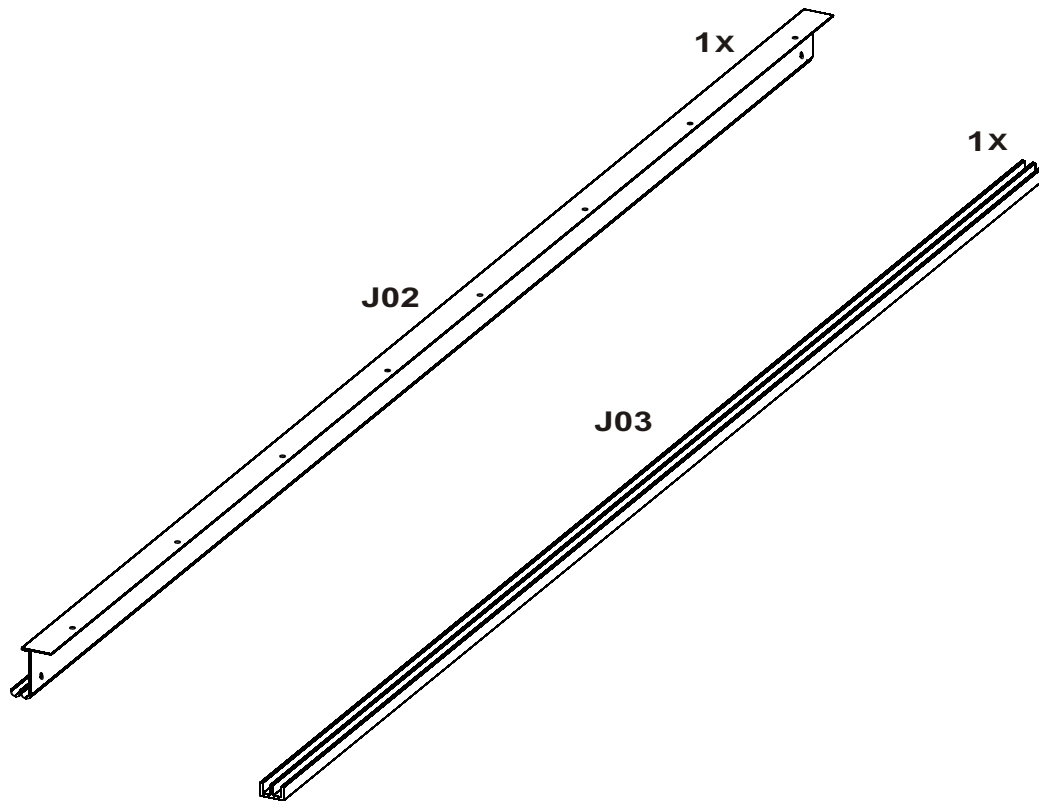
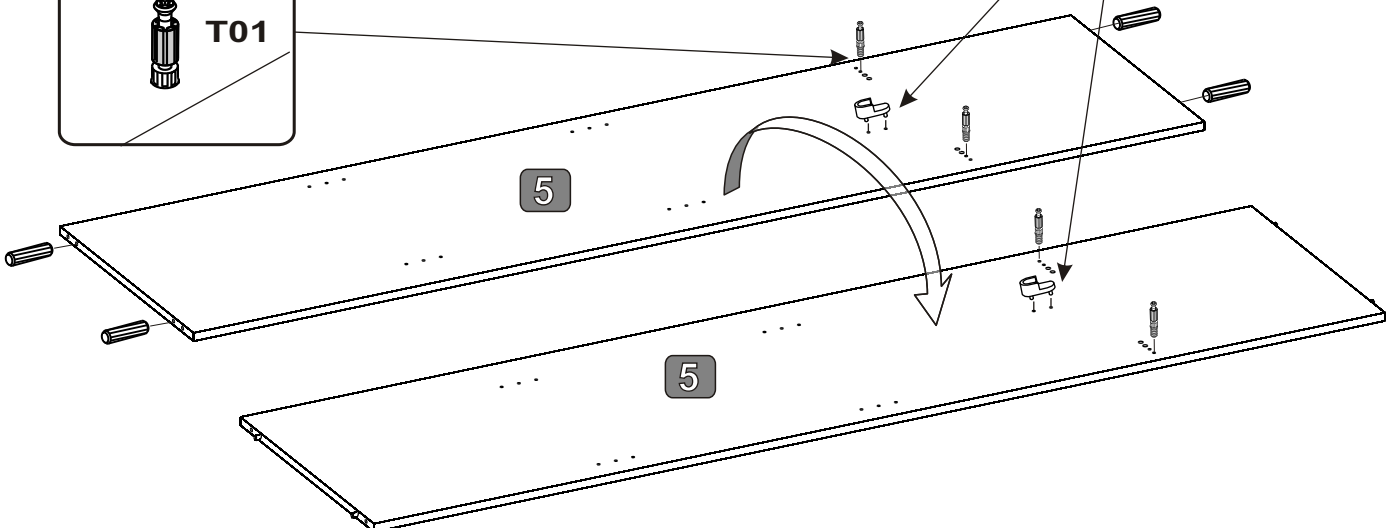
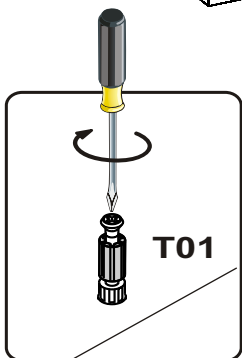
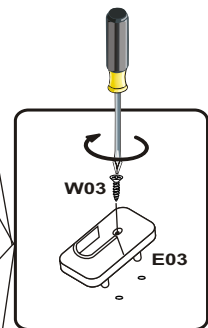
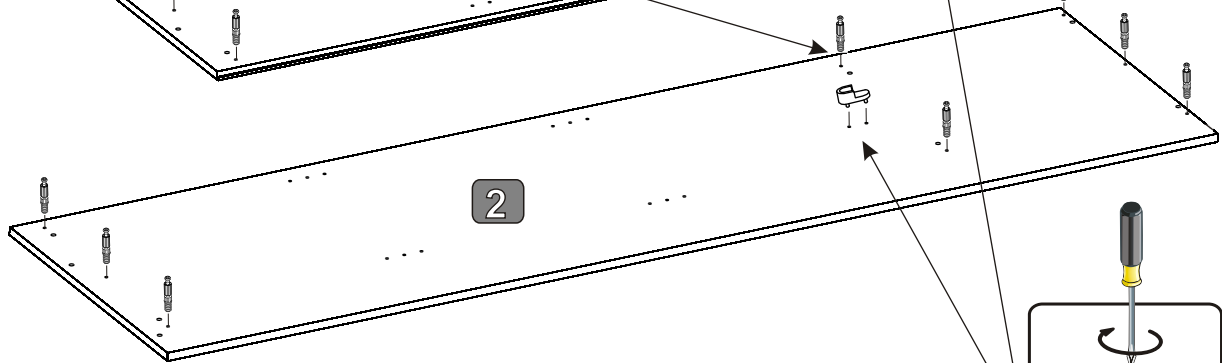
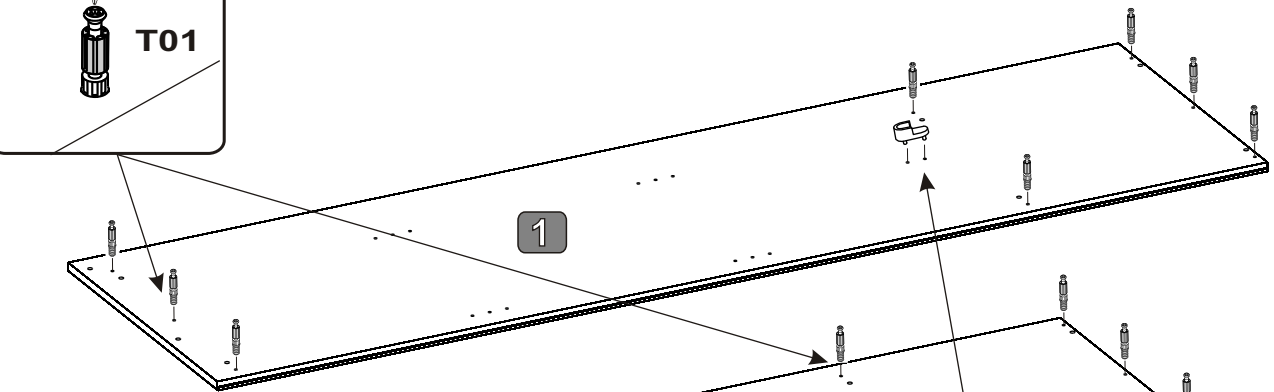
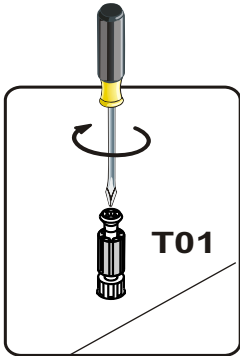
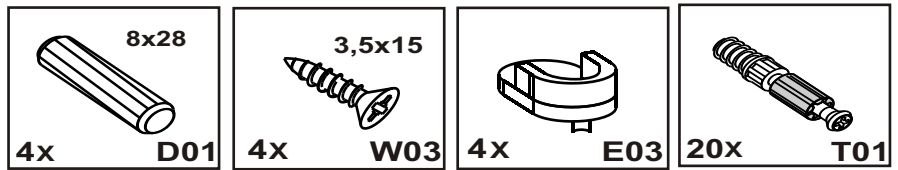
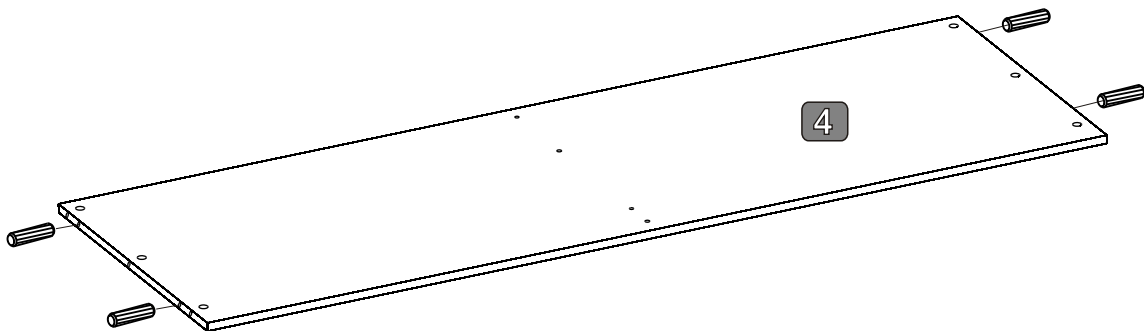
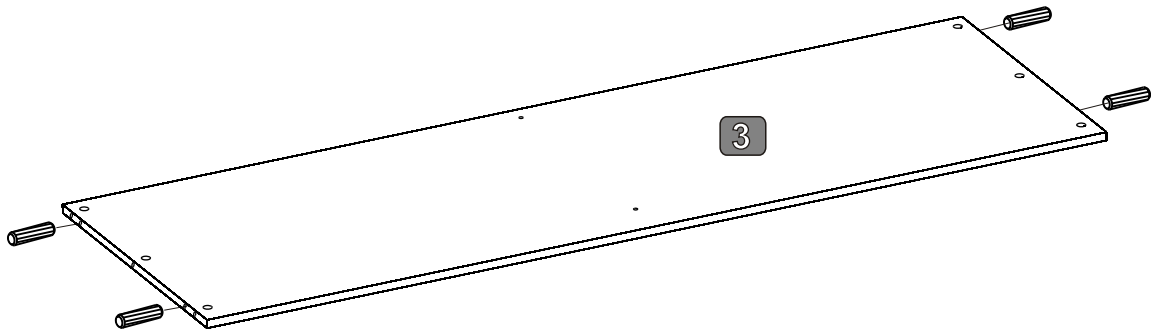
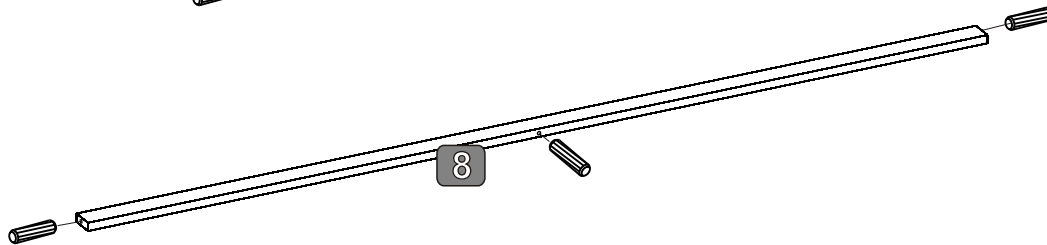
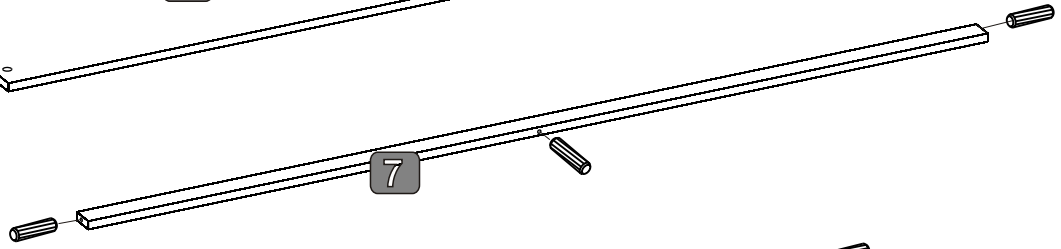
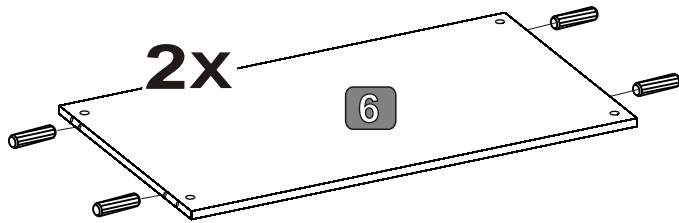
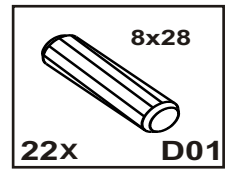
 20x T02	 20x T01	 72x G01	 8x28 26x D01	 1x K01	 7x50 4x W06
 3,5x15 4x W03	 4x E03	 2x J01	 6x S01	 2x W05	 2x E04
 3,5x24 2x E05	 3,5x13 8x W05	 3x13 8x W04			



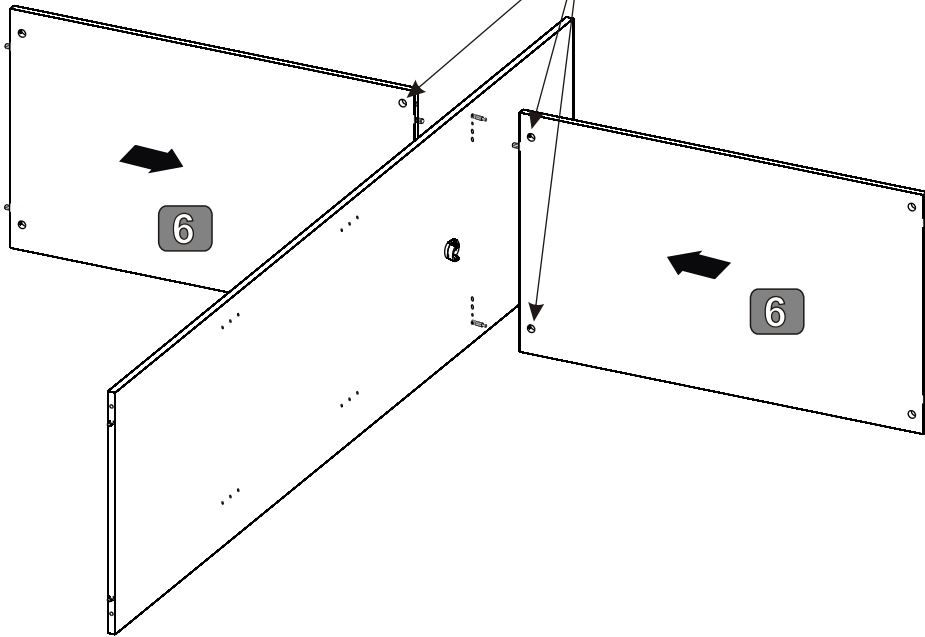
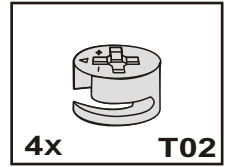
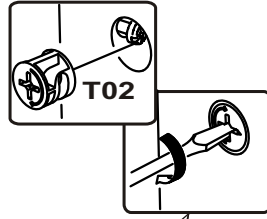
# 1



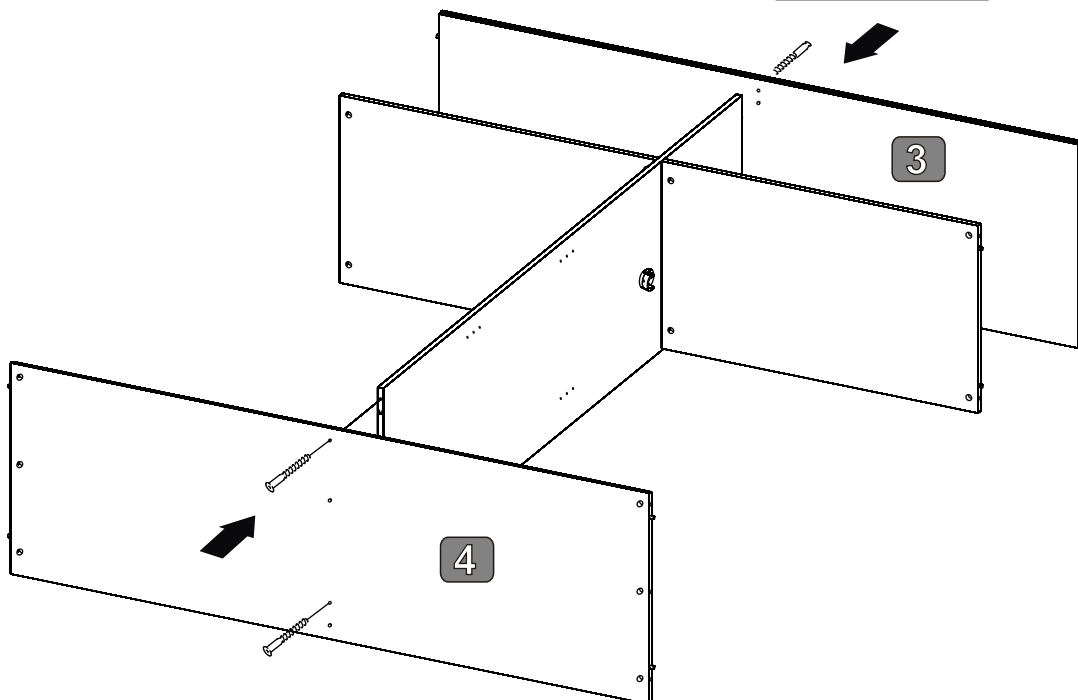
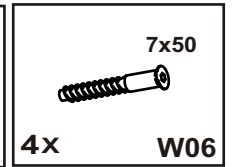
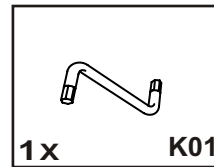
2



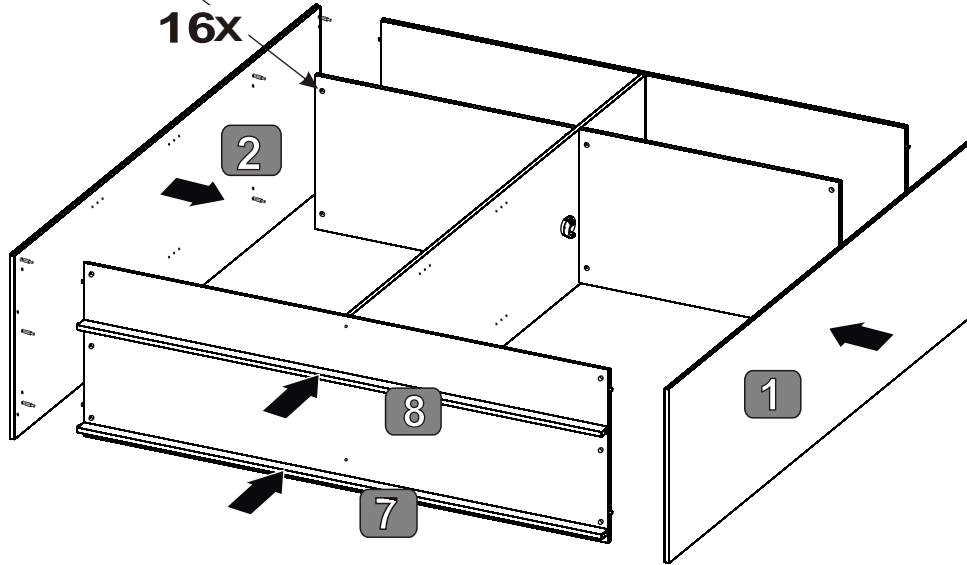
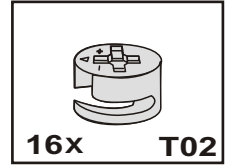
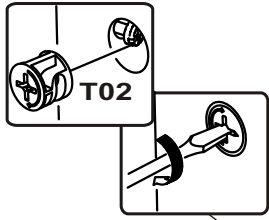
3



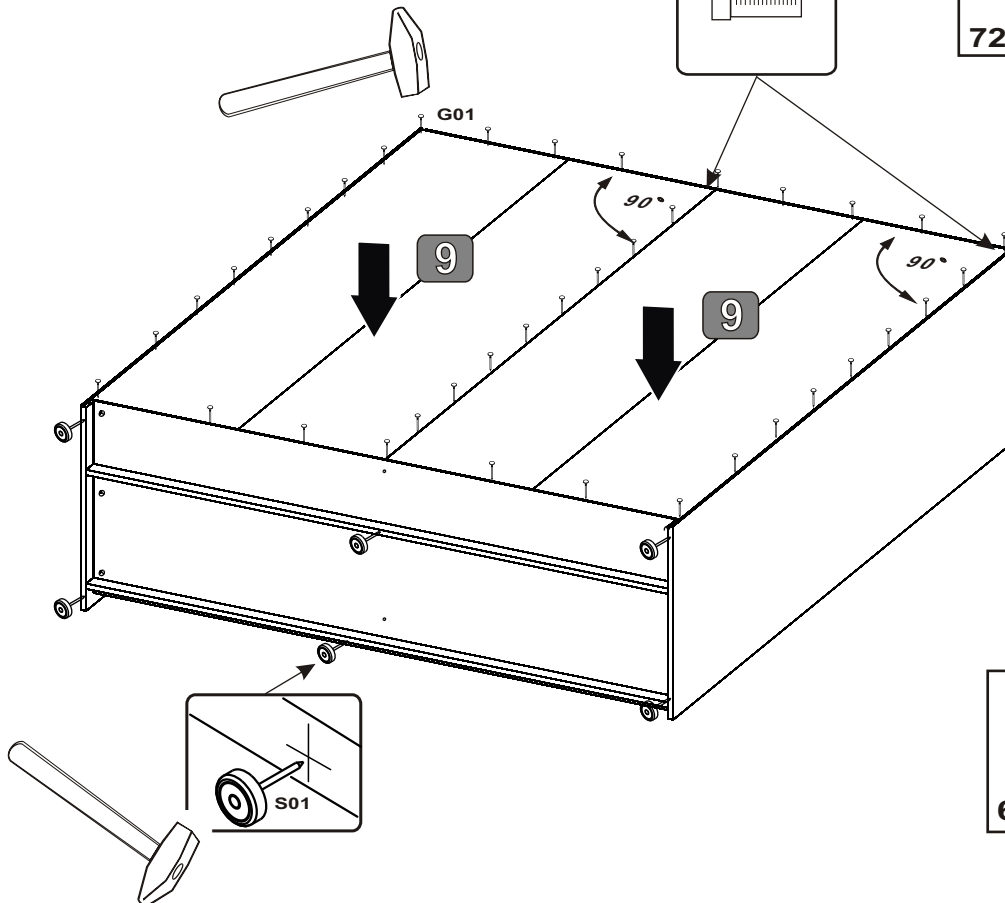
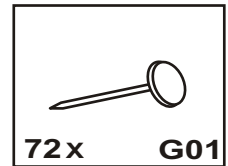
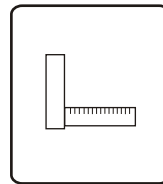
4



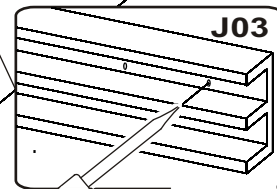
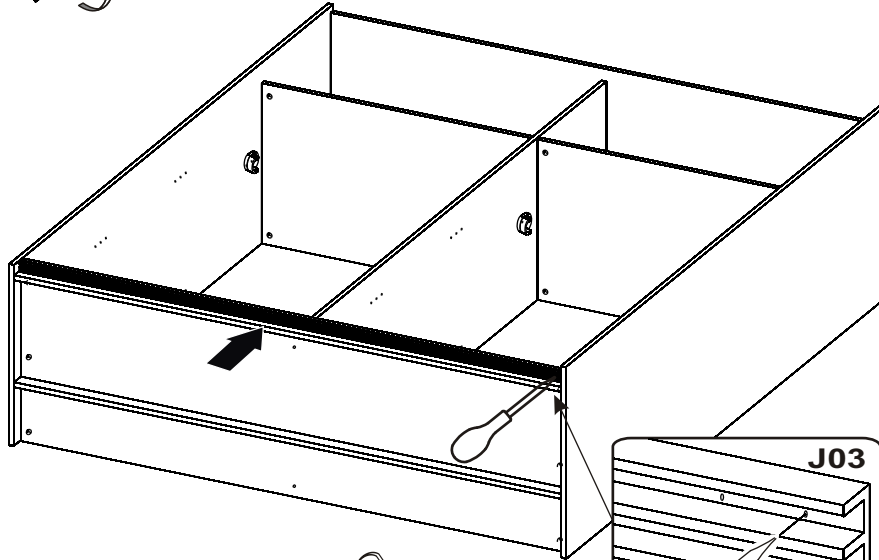
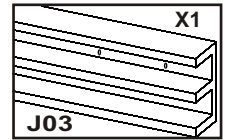
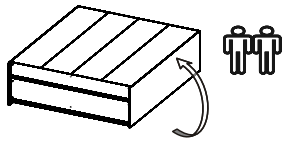
5



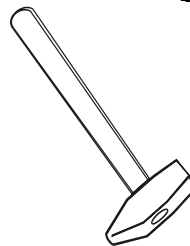
6



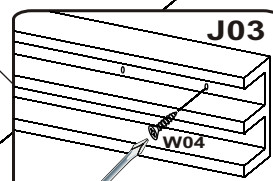
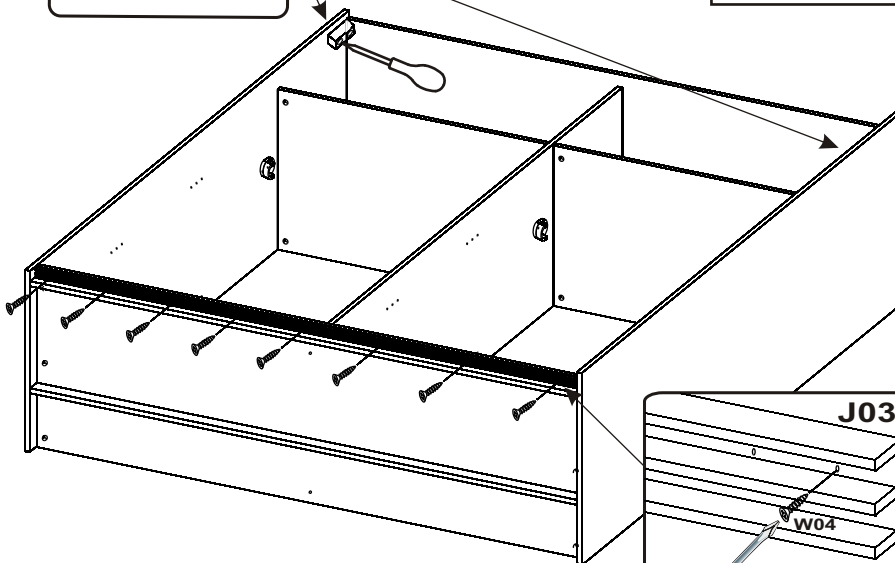
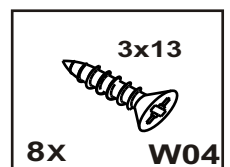
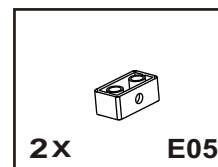
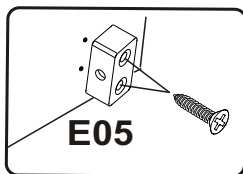
# 7



**8X**



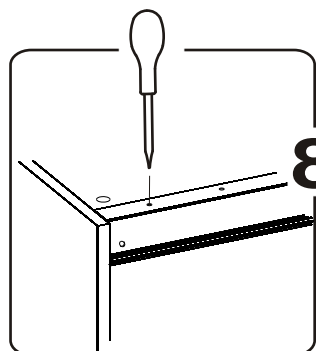
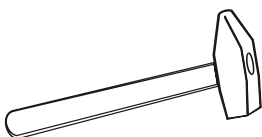
# 8



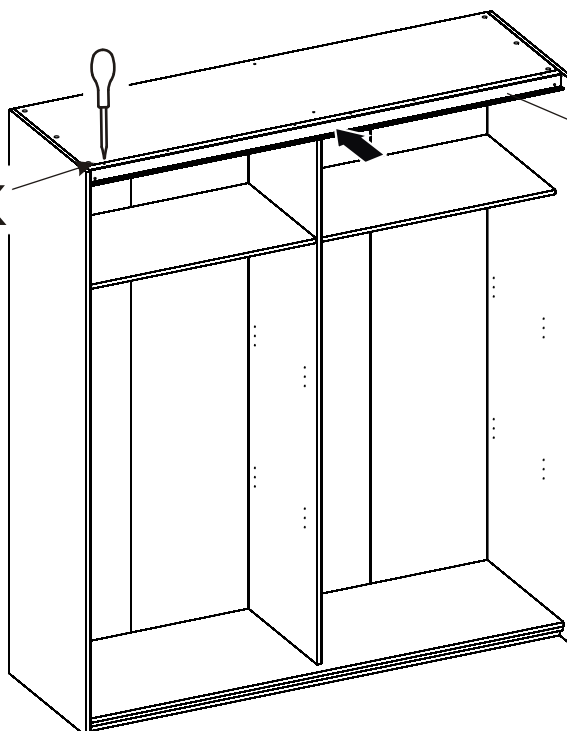
**8X**



## 9

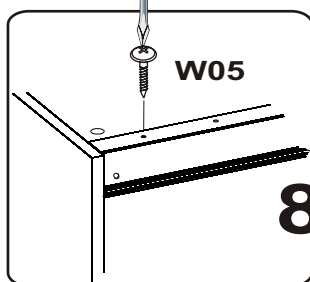
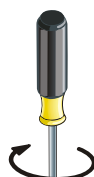


8x



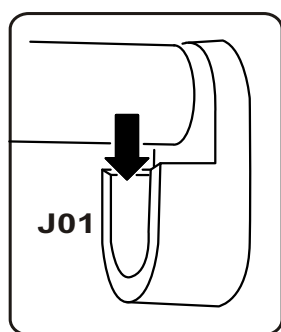
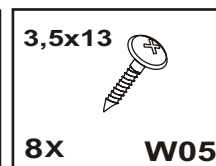
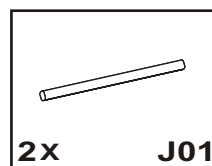
J02

## 10

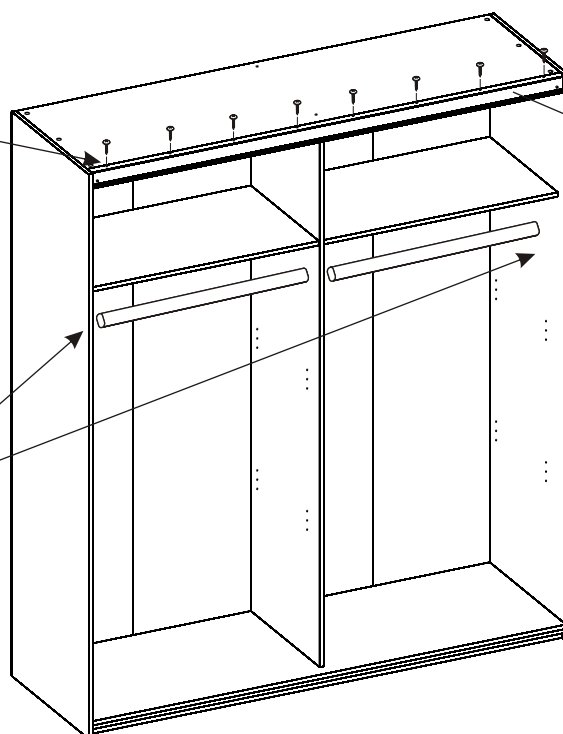


W05

8x



J01



J02

# 11

