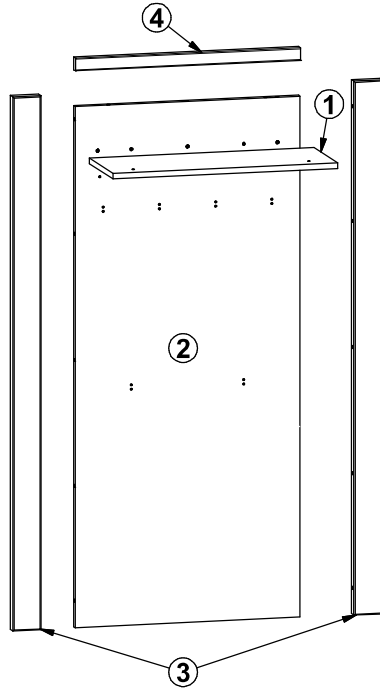
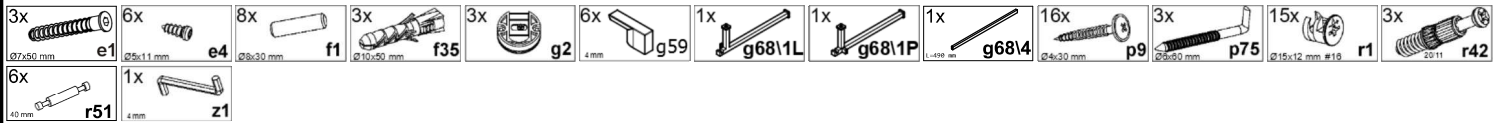
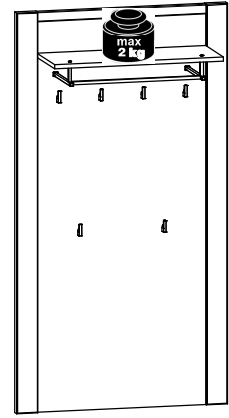


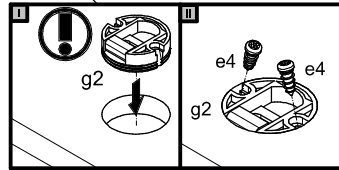
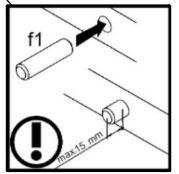
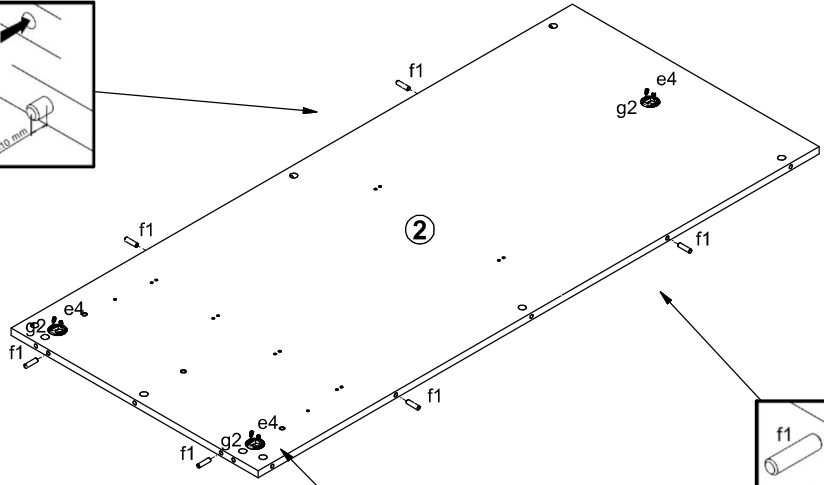
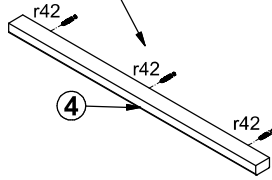
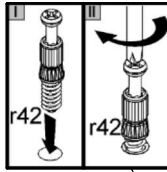
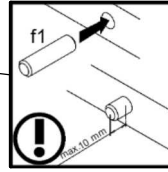
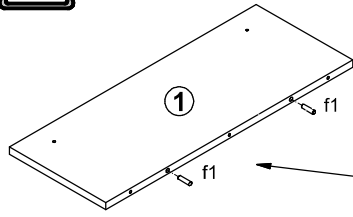
20 min



A	B	C (mm)		D	
1	S393-3004	640	250	16	1/1
2	S393-4003	1454	640	16	1/1
3	S393-5007	1491	80	30	1/1
4	S393-5010	640	36	22	1/1

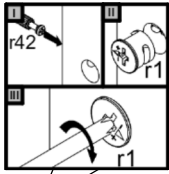


1



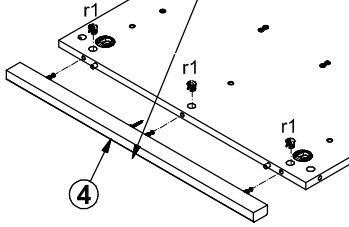
- 6x e4 Ø5x11 mm
- 8x f1 Ø8x30 mm
- 3x g2
- 3x r42 Ø11

2 



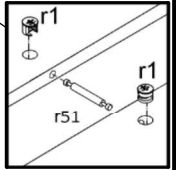
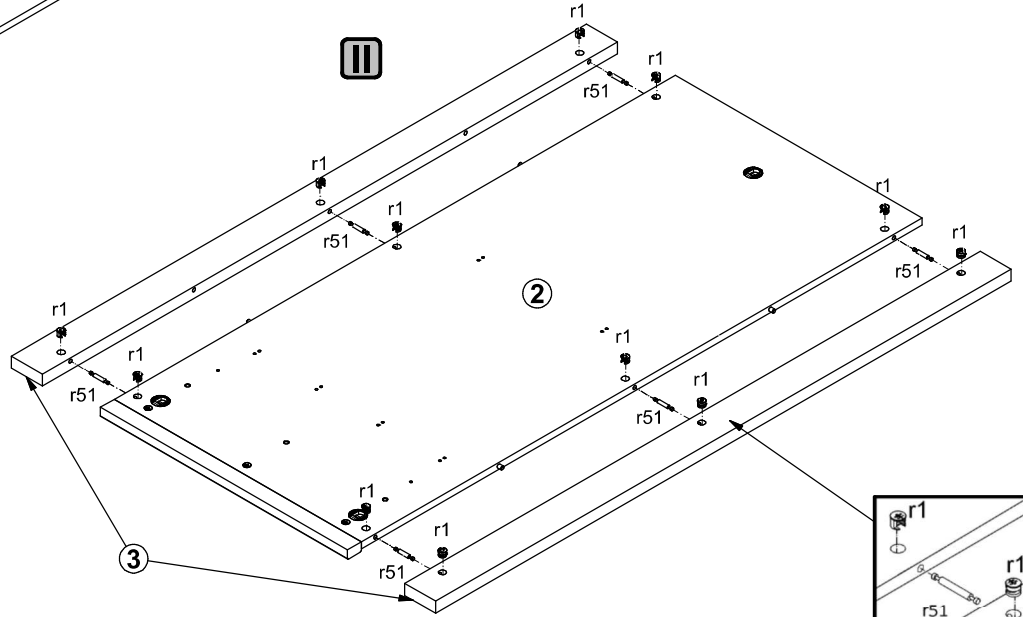
I


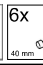
2



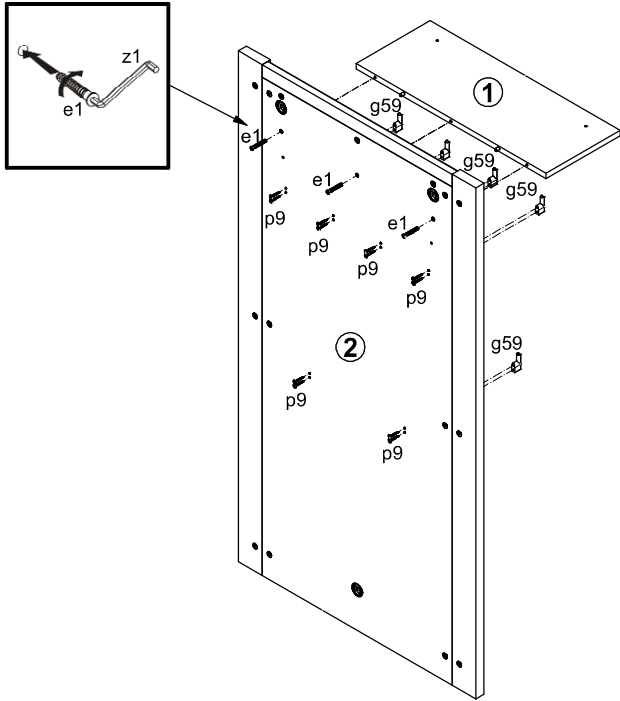
III

2



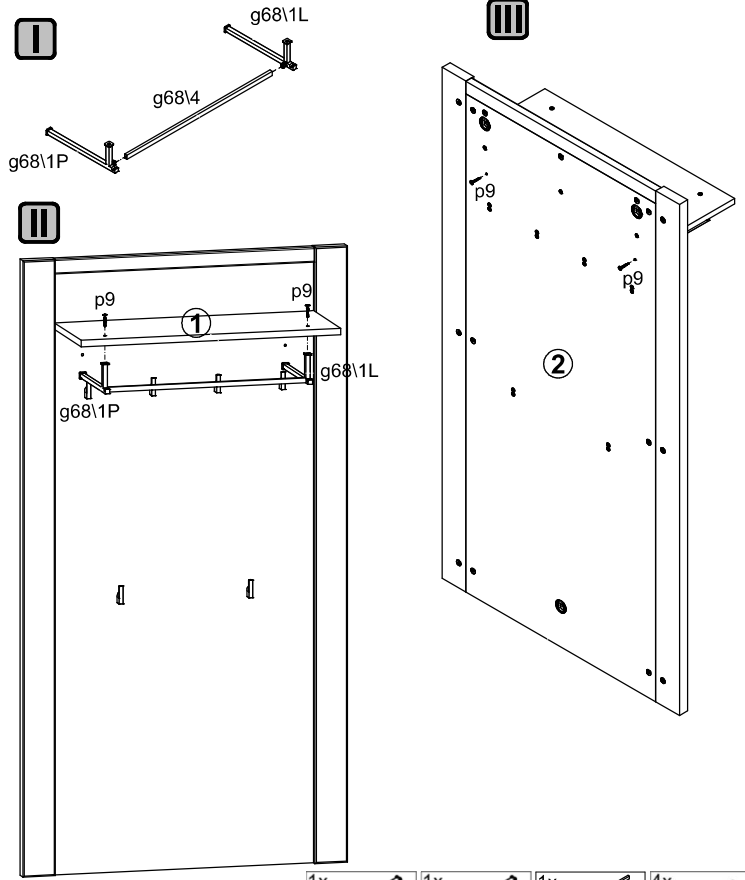
15x  r1
6x  r51
(21.5x12 mm, #16) 40 mm

3



- 3x e1
Ø7x50 mm
- 6x z1
4 mm
- 12x p9
Ø4x30 mm
- 1x g59
4 mm

4



- 1x g68\1L
- 1x g68\1P
L=50 mm
- 1x g68\4
- 4x p9
Ø4x30 mm

5

