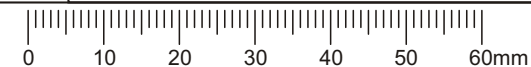
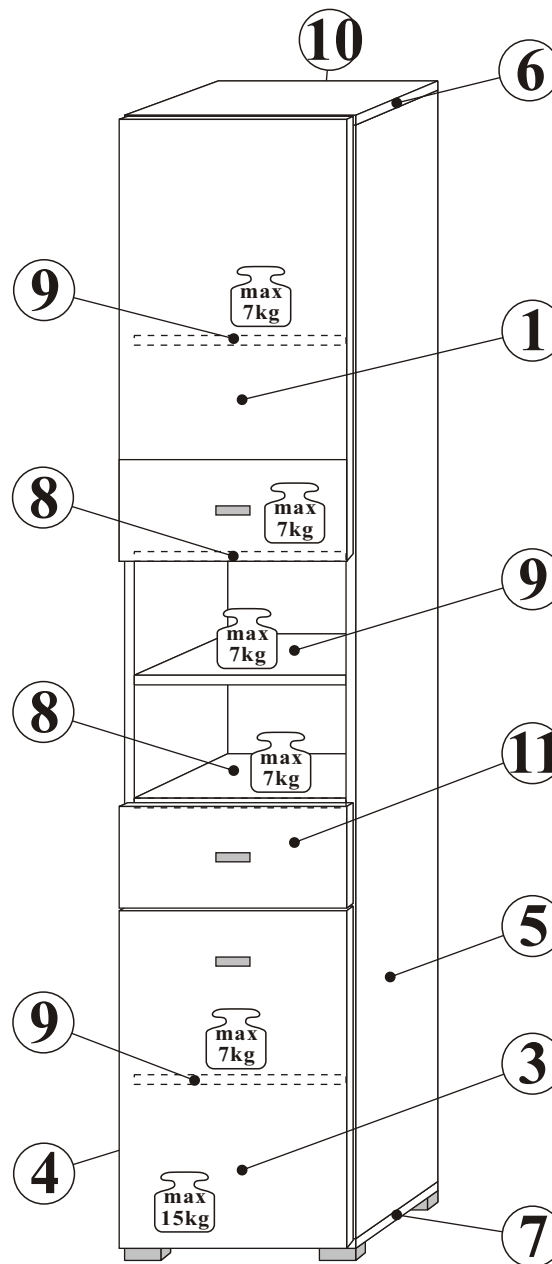
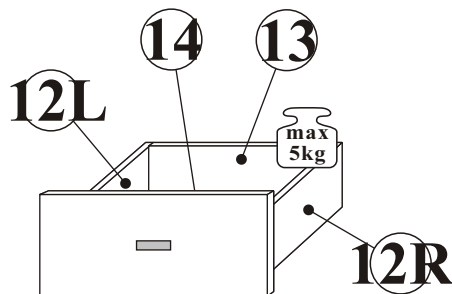
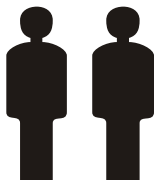
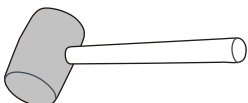
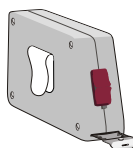
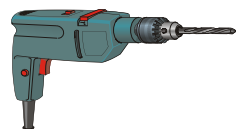




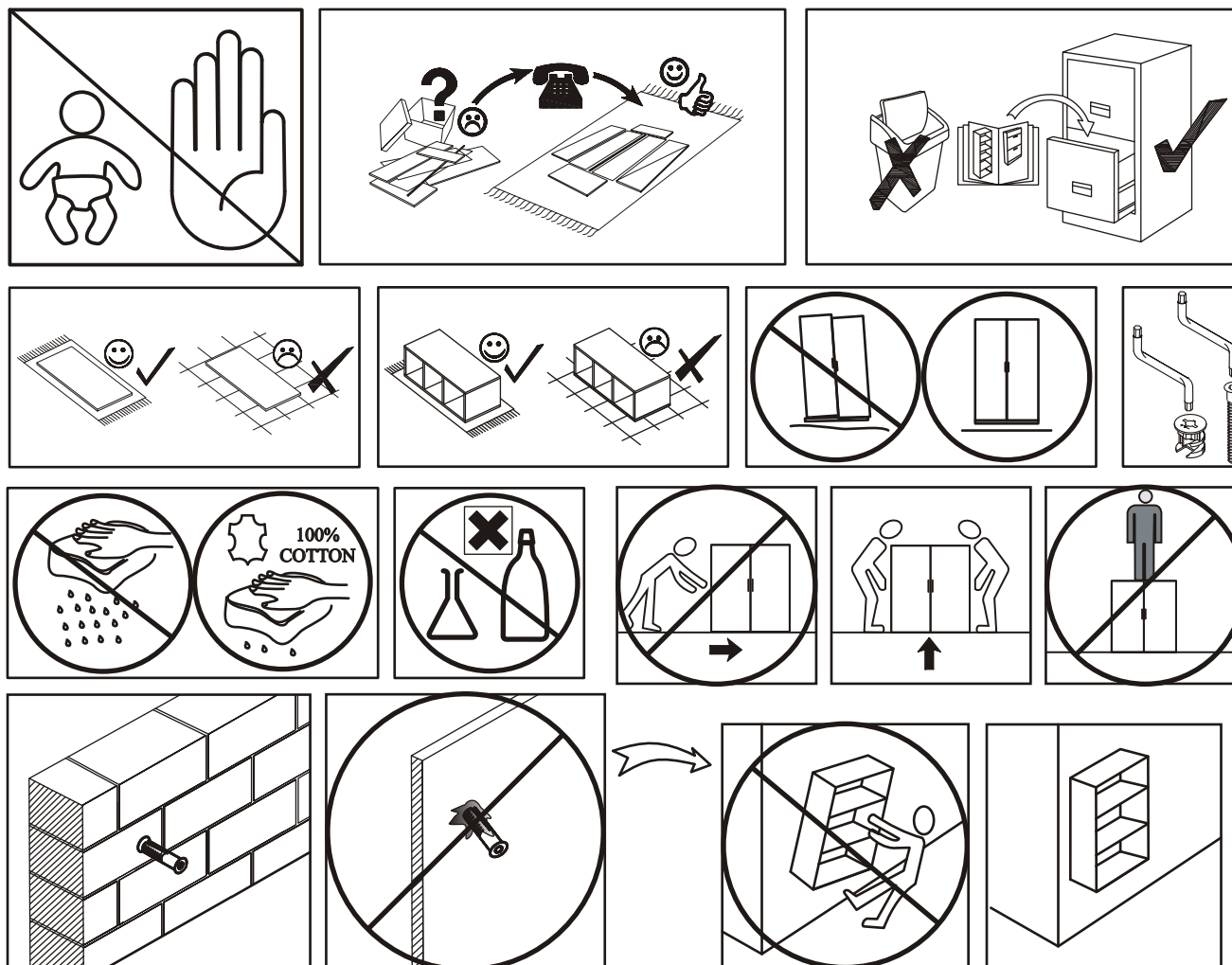
120 min



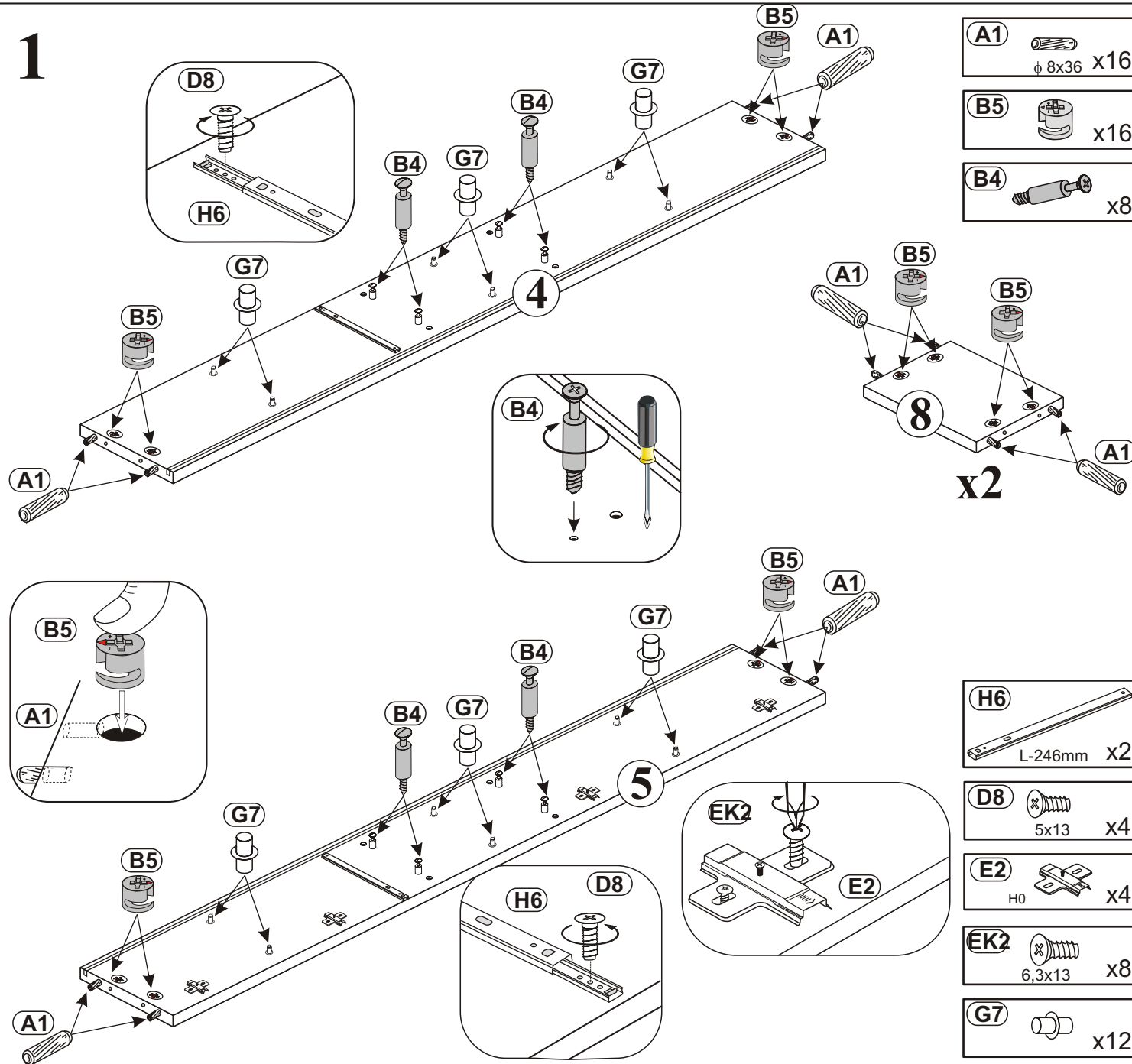
- A1** ϕ 8x36 x24
- B5** x16
- B4** x16
- G5** #15 x16
- G7** x12
- E1** Kr0 x4
- D10** 3,5x13 x10
- B3** x10
- E2** H0 x4
- G4** ϕ 5 x2
- EK2** 6,3x13 x8
- W32** x3
- H6** L-246mm x2
- UP6** 4x30 x6
- D8** 5x13 x4
- F12** x4
- D18** M4x9mm x2
- L1** x1
- G1** Leim x1
- KR2** x1
- G2** S-4 x1
- D22** 4x40 x1



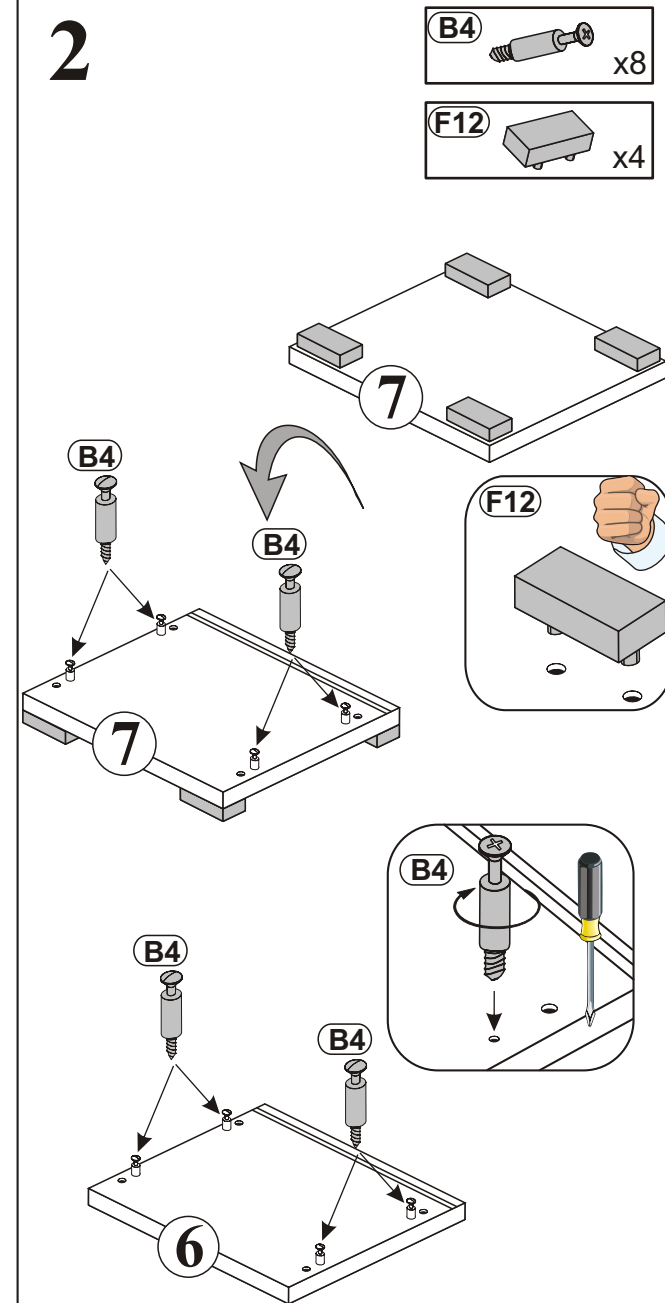
NO	Dim.		Col.-No	Qty
1	731	376	1	1
3	560	376	1	1
4	1841	284	1	1
5	1841	284	1	1
6	382	284	1	1
7	382	284	1	1
8	348	264	1	2
9	348	250	1	3
10	1852	359	1	1
11	171	376	1	1
12L	250	100	1	1
12R	250	100	1	1
13	315	86	1	1
14	325	255	1	1

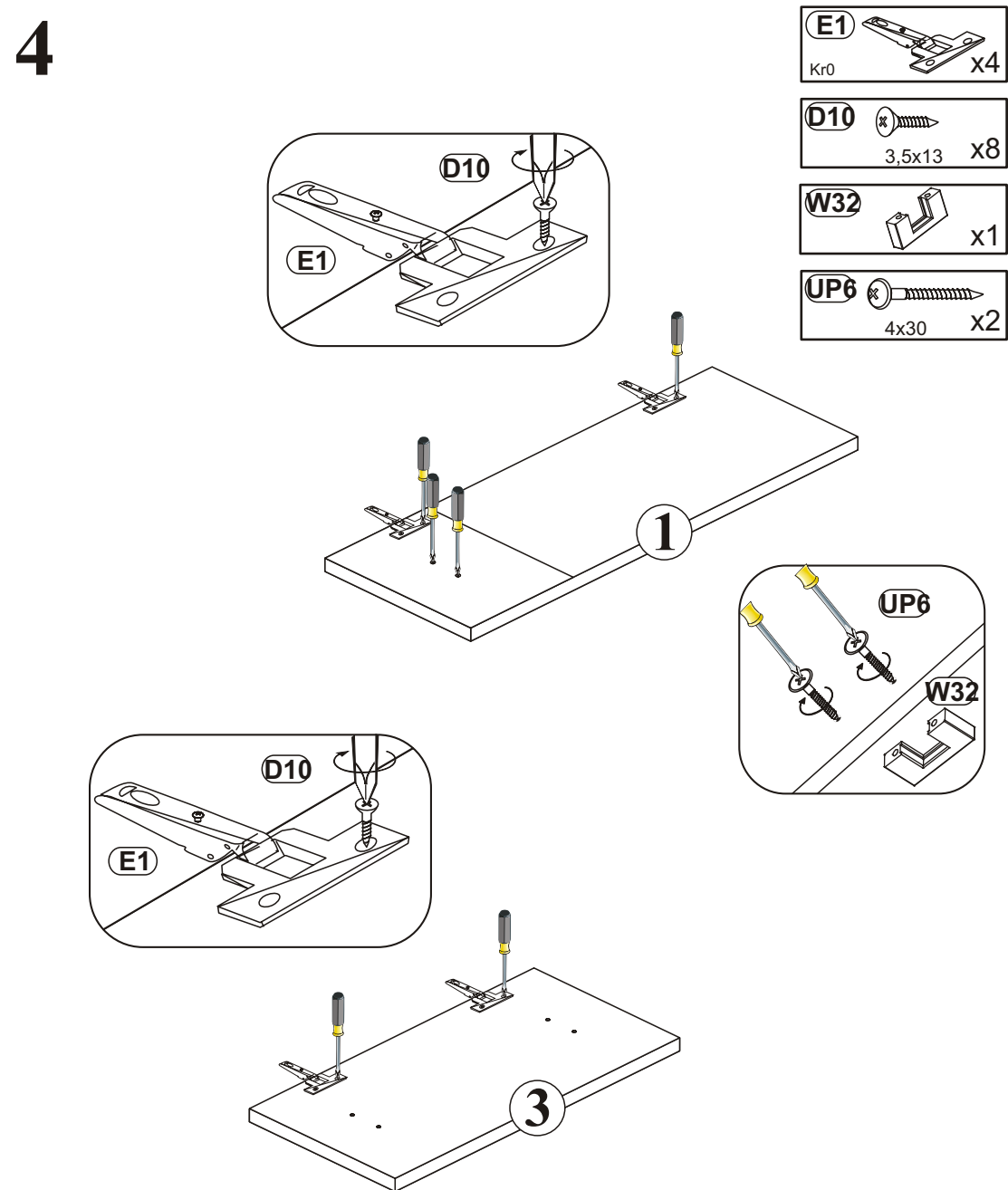
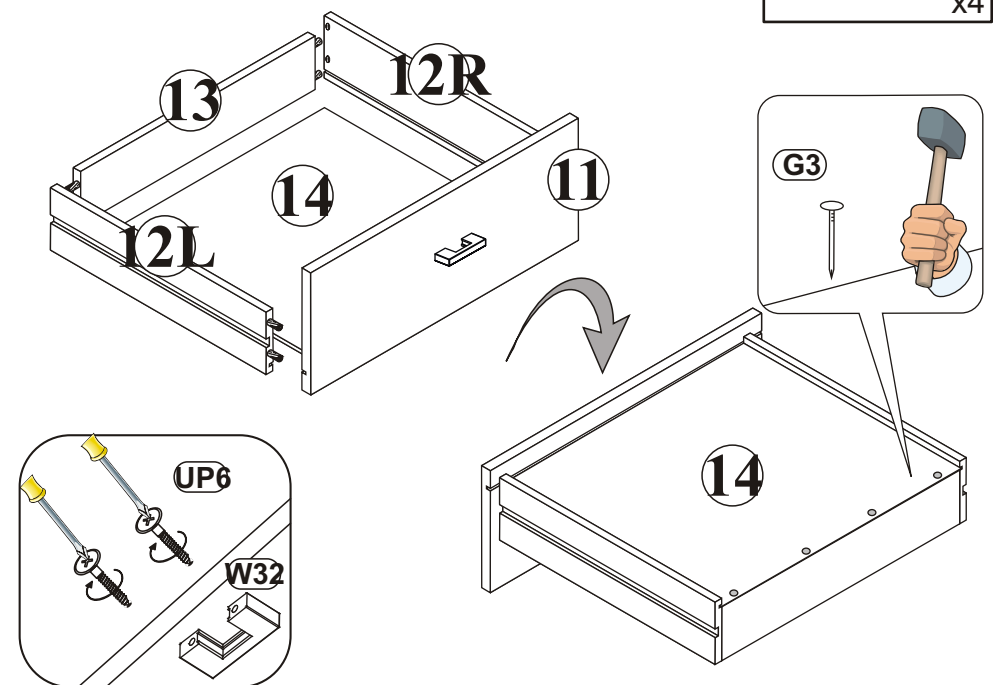
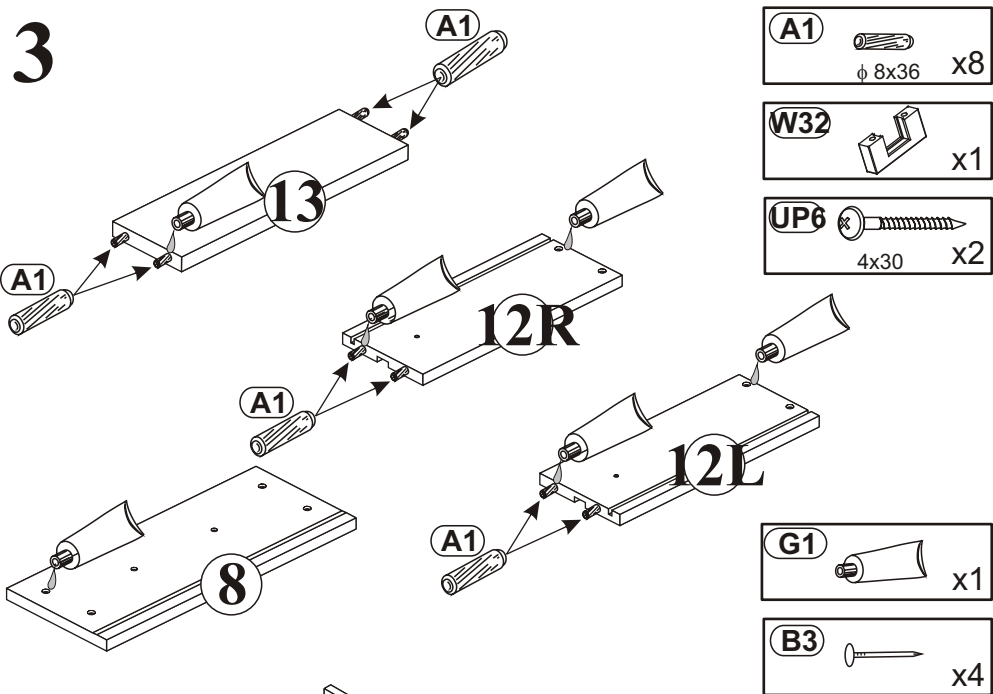


1

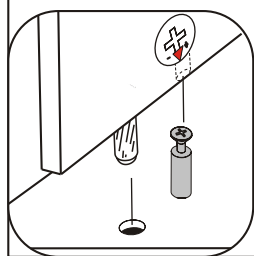
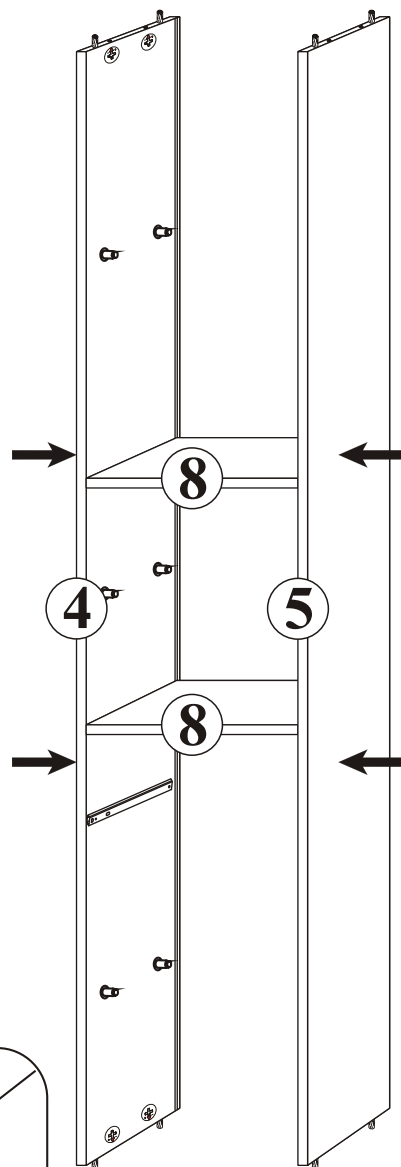


2

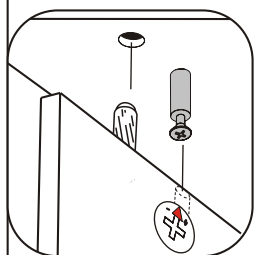
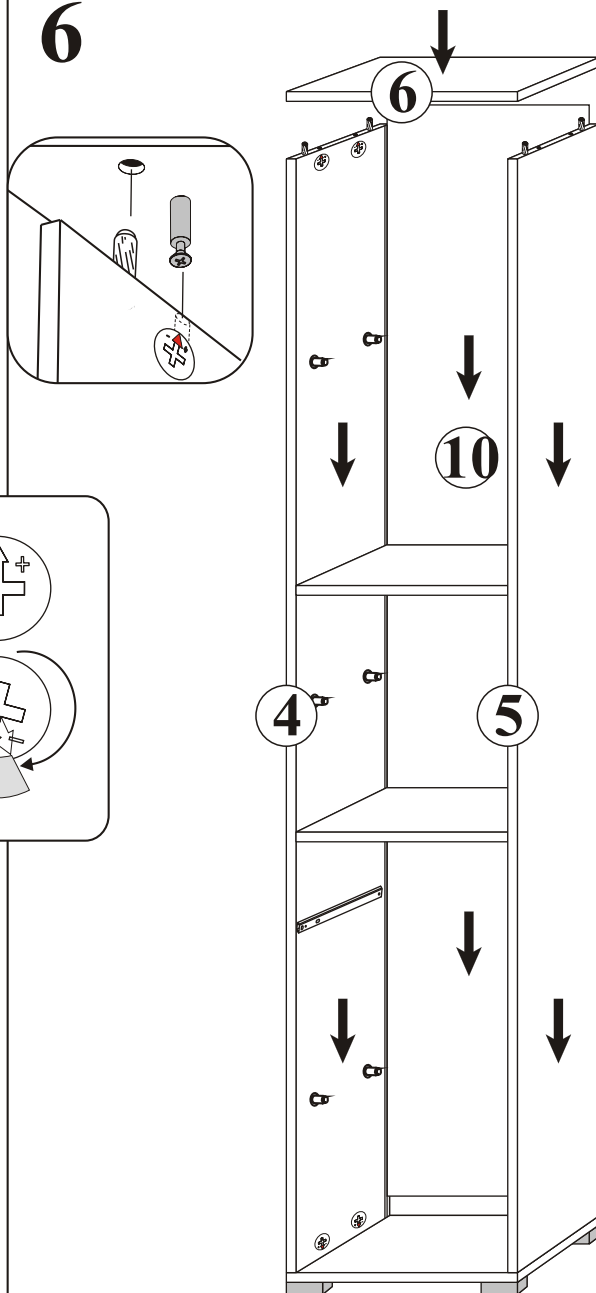




5

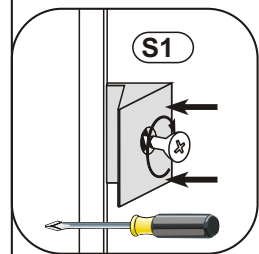
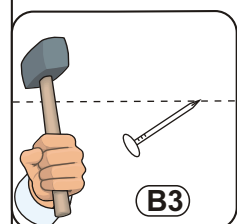
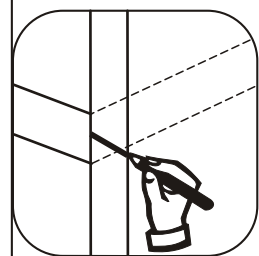



6



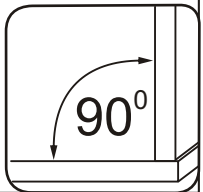
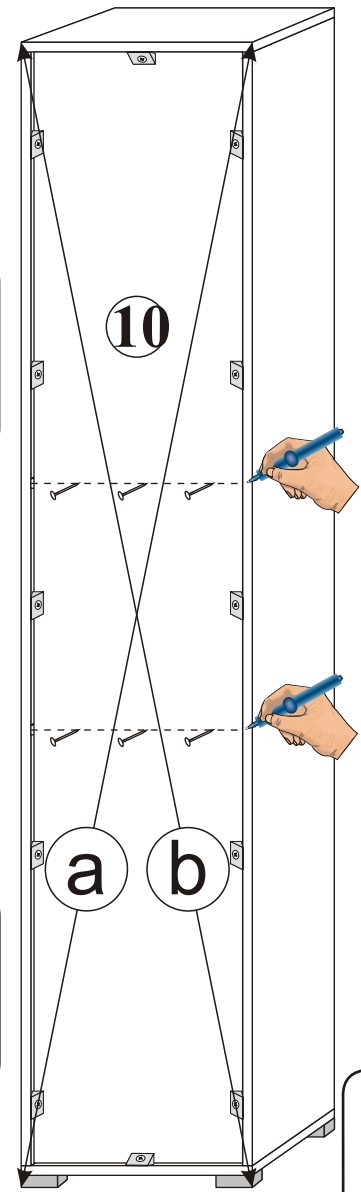
7

a=b



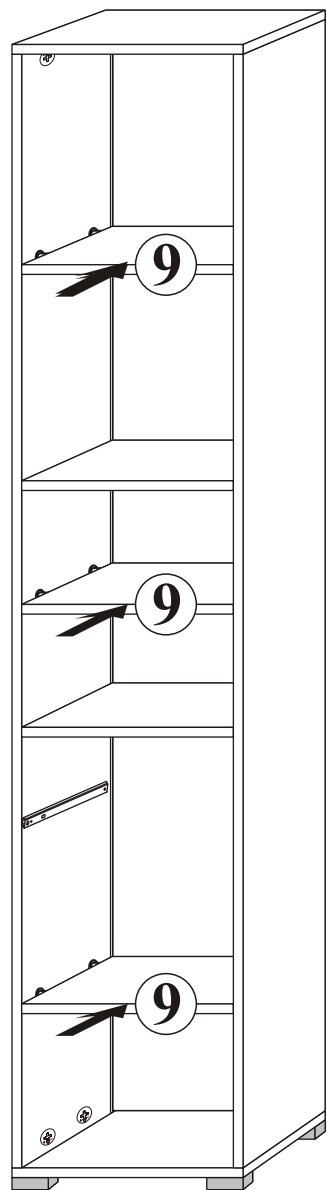
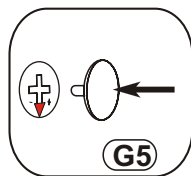
B3  x6

S1  x12



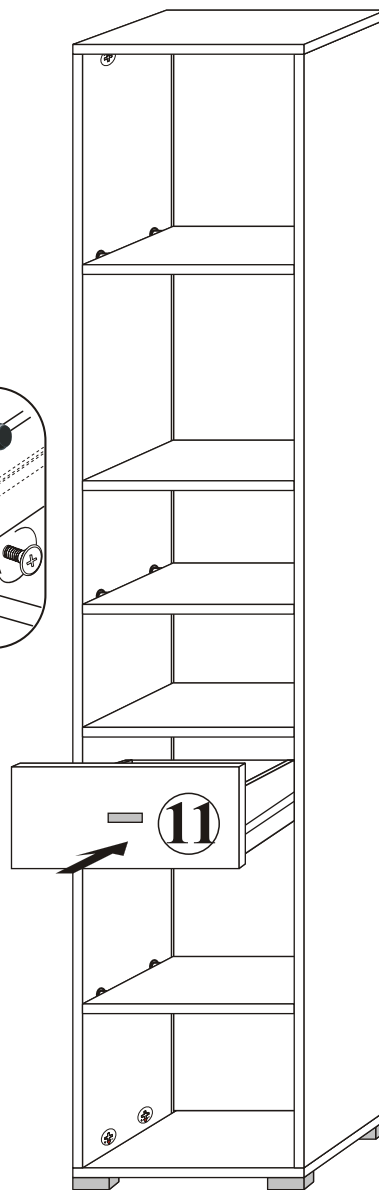
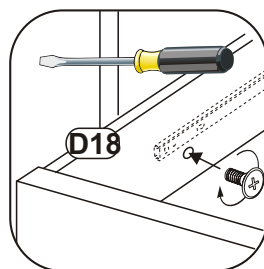
8

G5 #15 x16



9

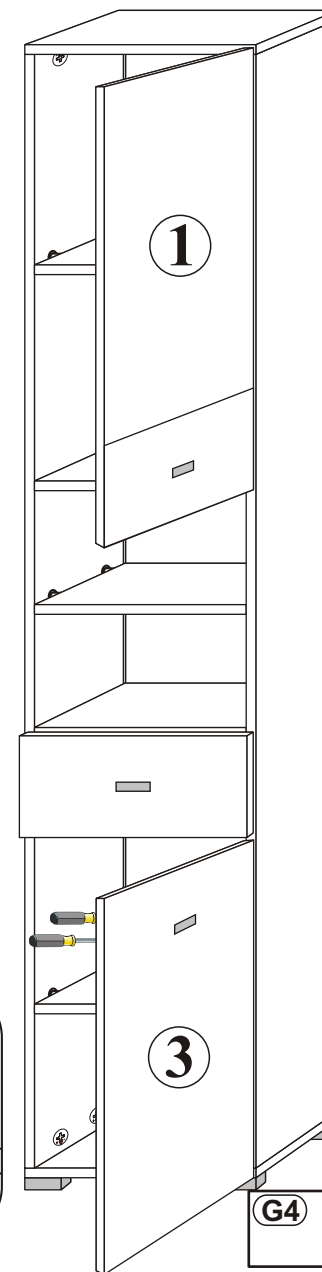
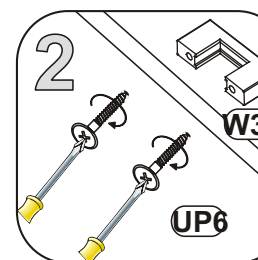
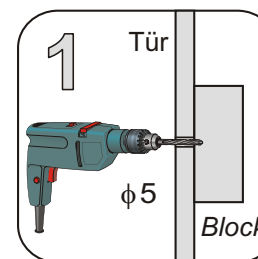
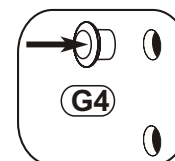
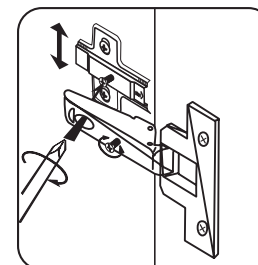
D18 M4x9mm x2



10

UP6 4x30 x2

W32 x1



G4 φ5 x2

11

