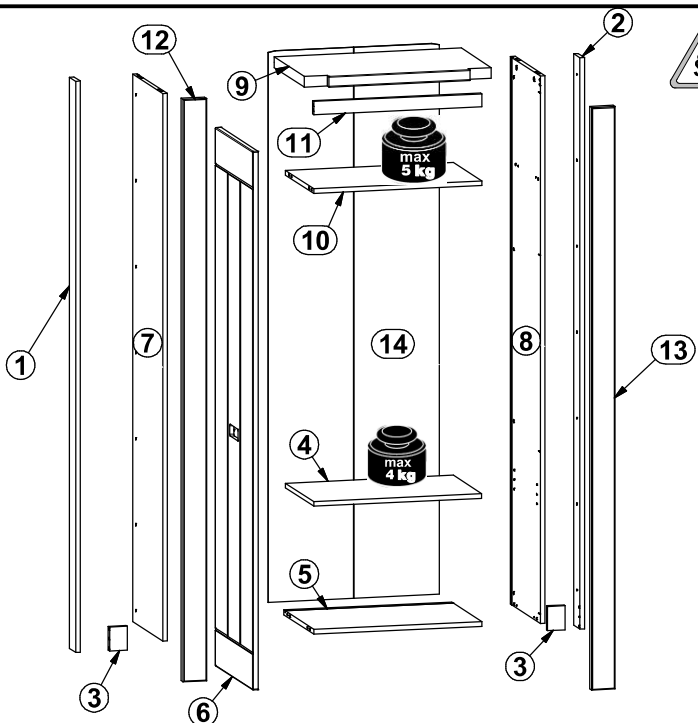
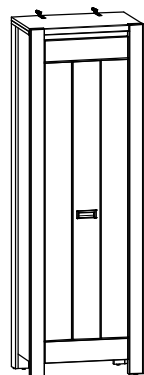
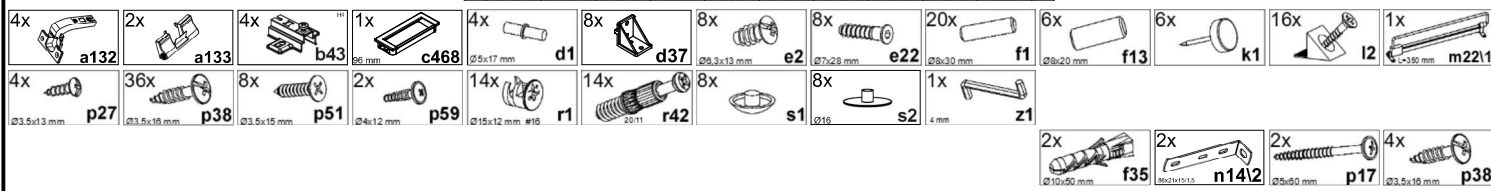


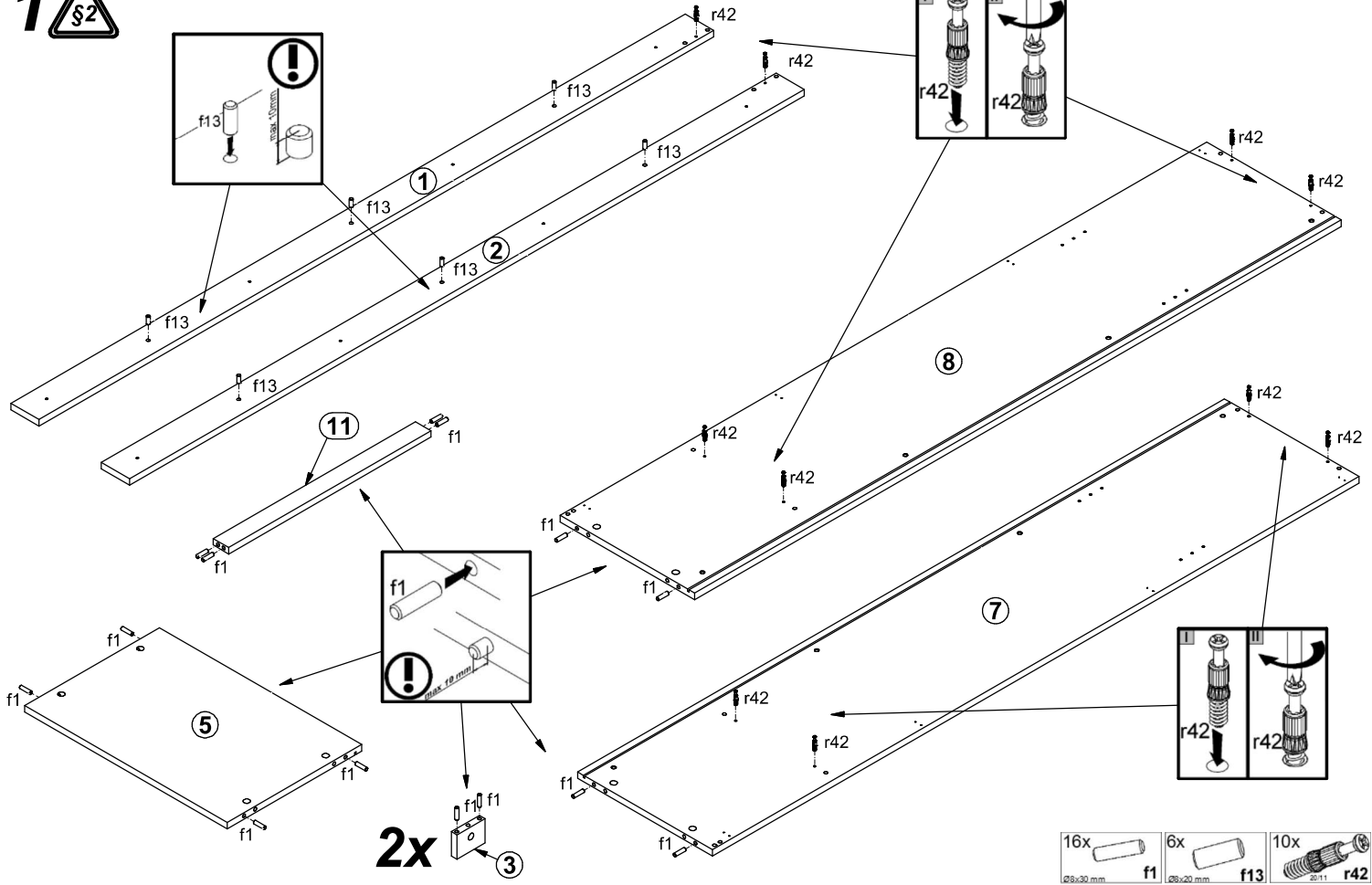
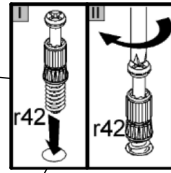
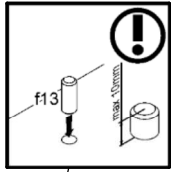
60 min



A	B	C (mm)		D
1	S378-5001	1914	80	16
2	S378-5002	1914	80	16
3	S378-5005	80	60	16
4	S390-3002	573	360	16
5	S390-3003	574	382	16
6	S393-0002	1804	476	19
7	S393-1001	1834	382	16
8	S393-1002	1834	382	16
9	S393-2001	639	405	36
10	S393-3003	574	362	16
11	S393-4004	574	44	16
12	S393-5003	1951	80	30
13	S393-5004	1951	80	30
14	S393-9301	1846	584	2,5

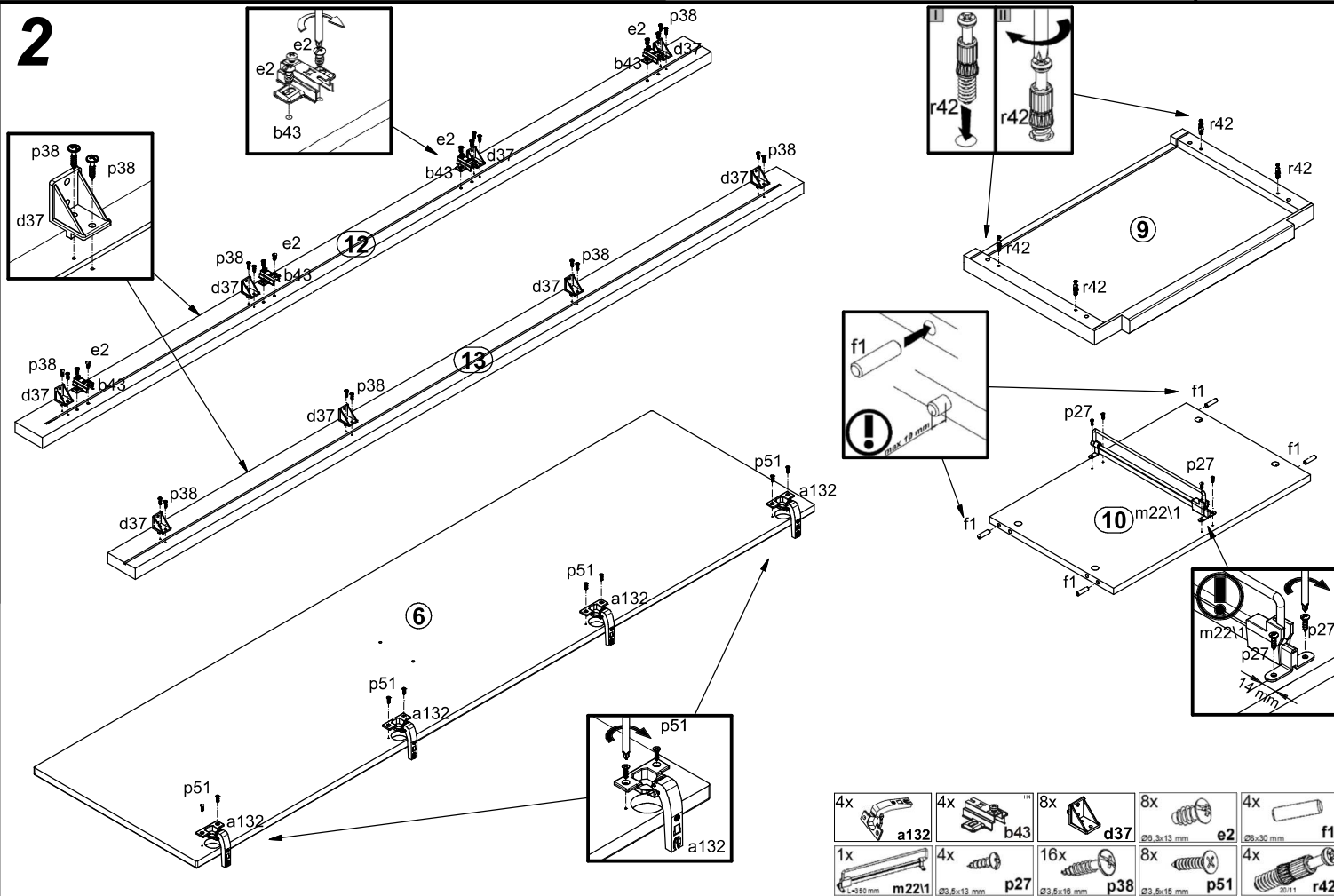


1 



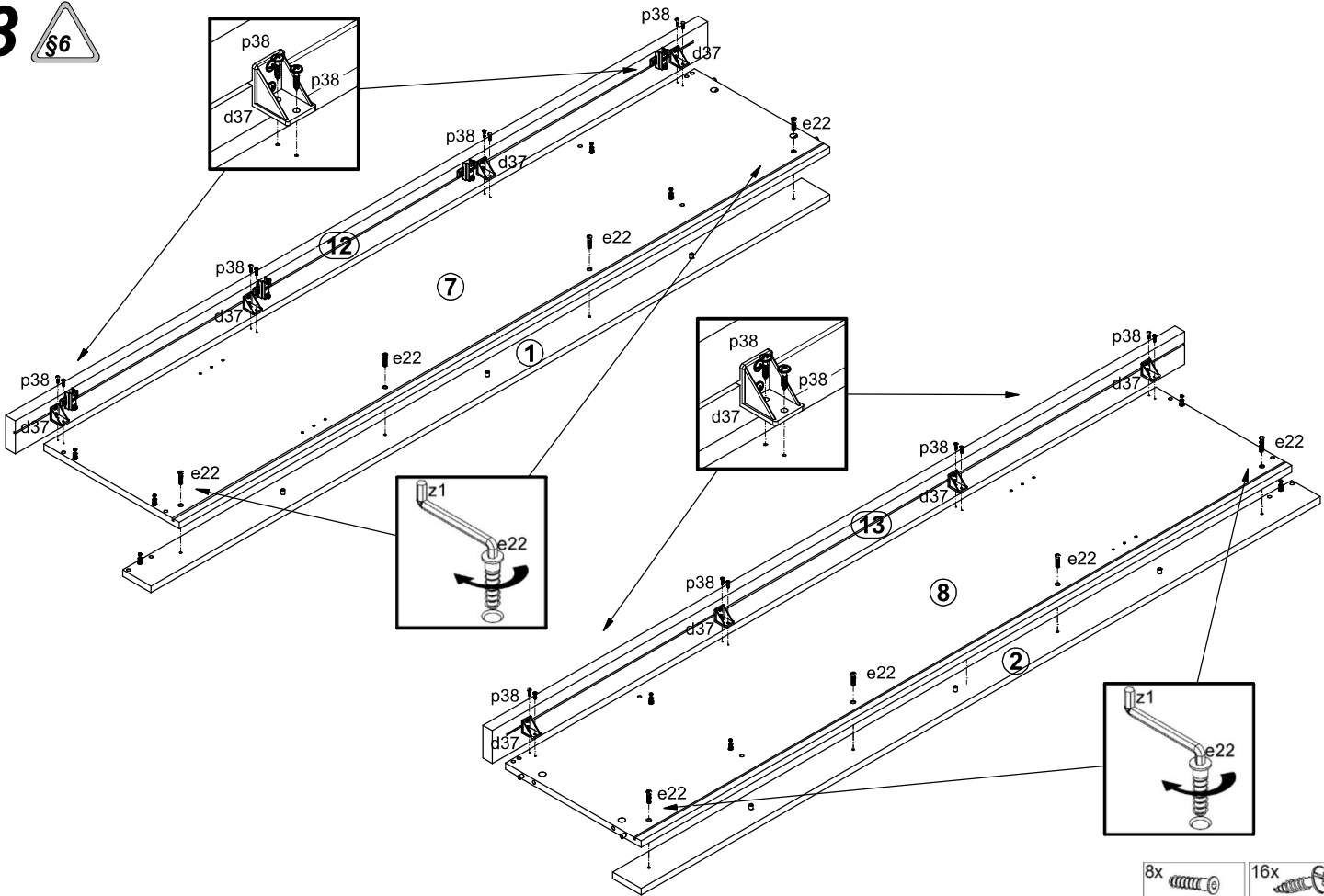
16x Ø8x30 mm	f1	6x Ø8x20 mm	f13	10x Ø8x11	r42
-----------------	----	----------------	-----	--------------	-----

2



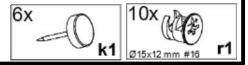
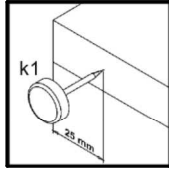
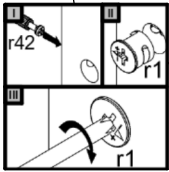
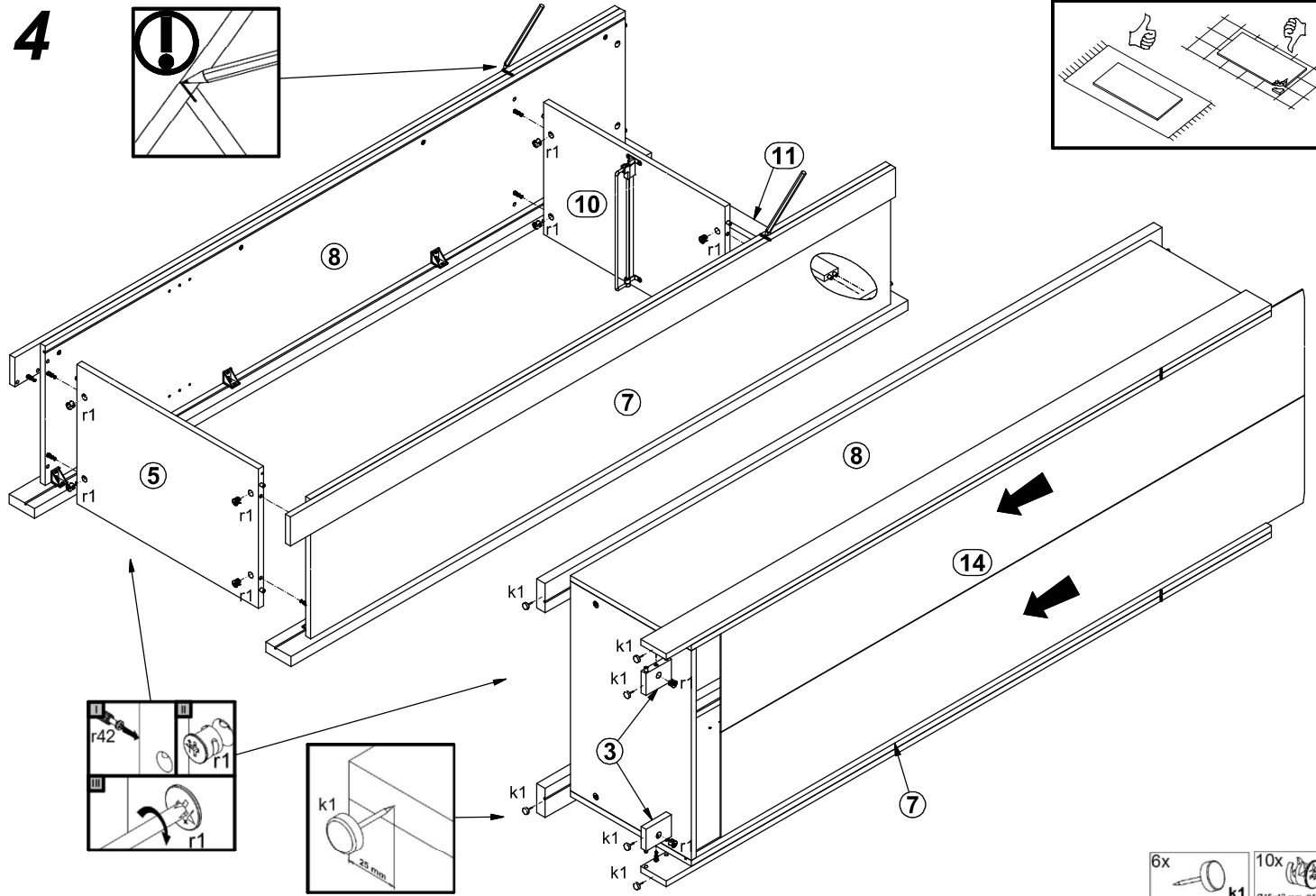
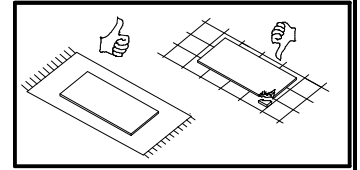
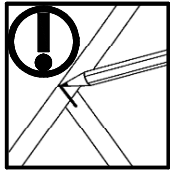
4x	4x	8x	8x	4x
1x	4x	16x	8x	4x
L=30 mm	Ø3.5x13 mm	Ø3.5x16 mm	Ø3.5x15 mm	Ø3.1

3 §6

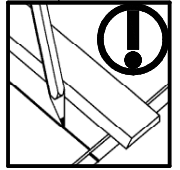
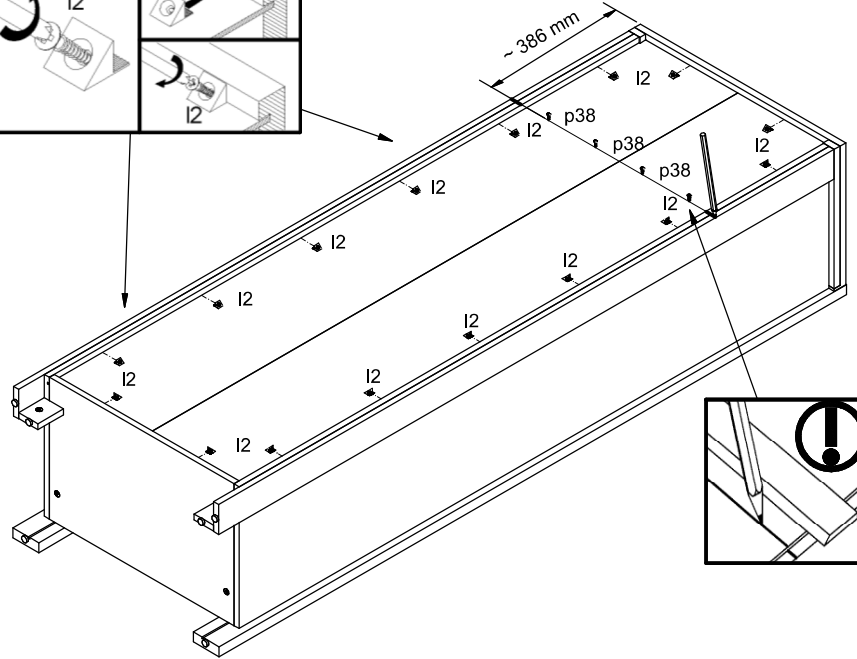
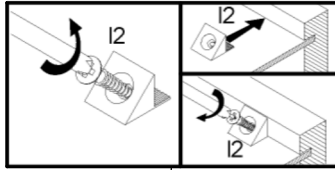
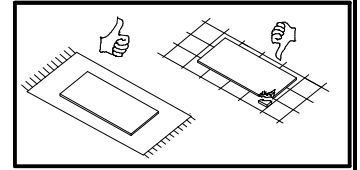
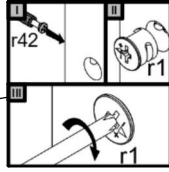
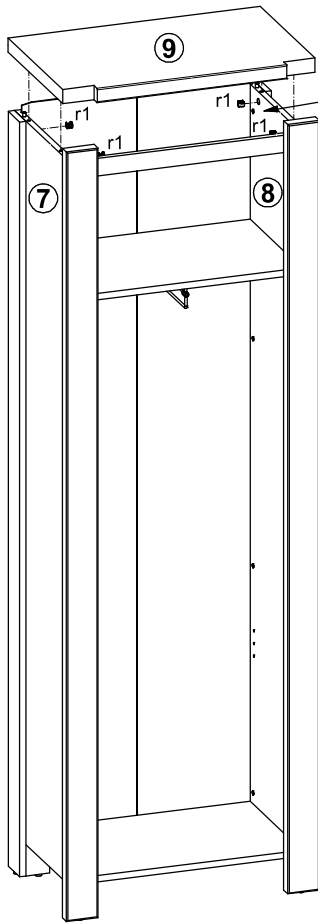


8x		16x	
	e22		p38
	27-28 mm		23.5x19 mm

4



5



# 6

2x a133	1x c468	4x d1	2x f35	2x n142	2x p17	4x p38	2x p59
------------	------------	----------	-----------	------------	-----------	-----------	-----------

P28-S393-SZF1D-M\_IN19-A-KOR01-TS2T01 ICW