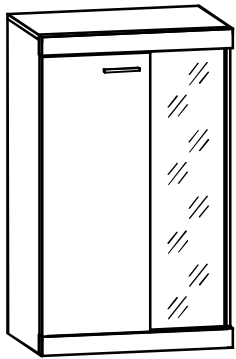
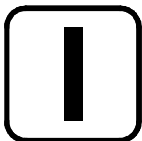
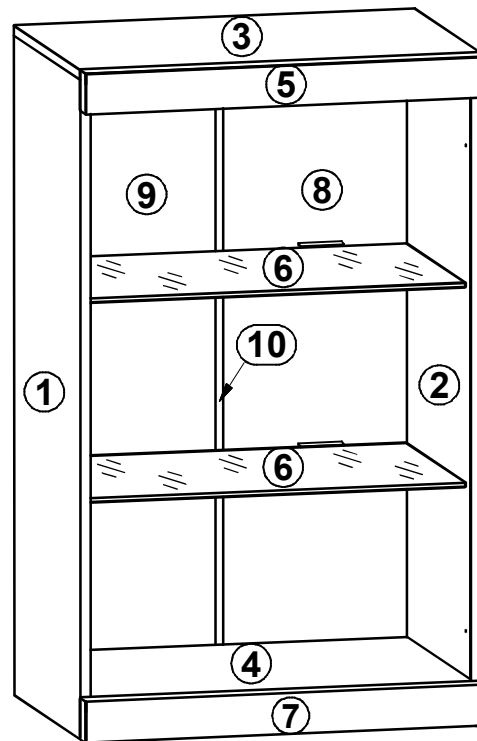
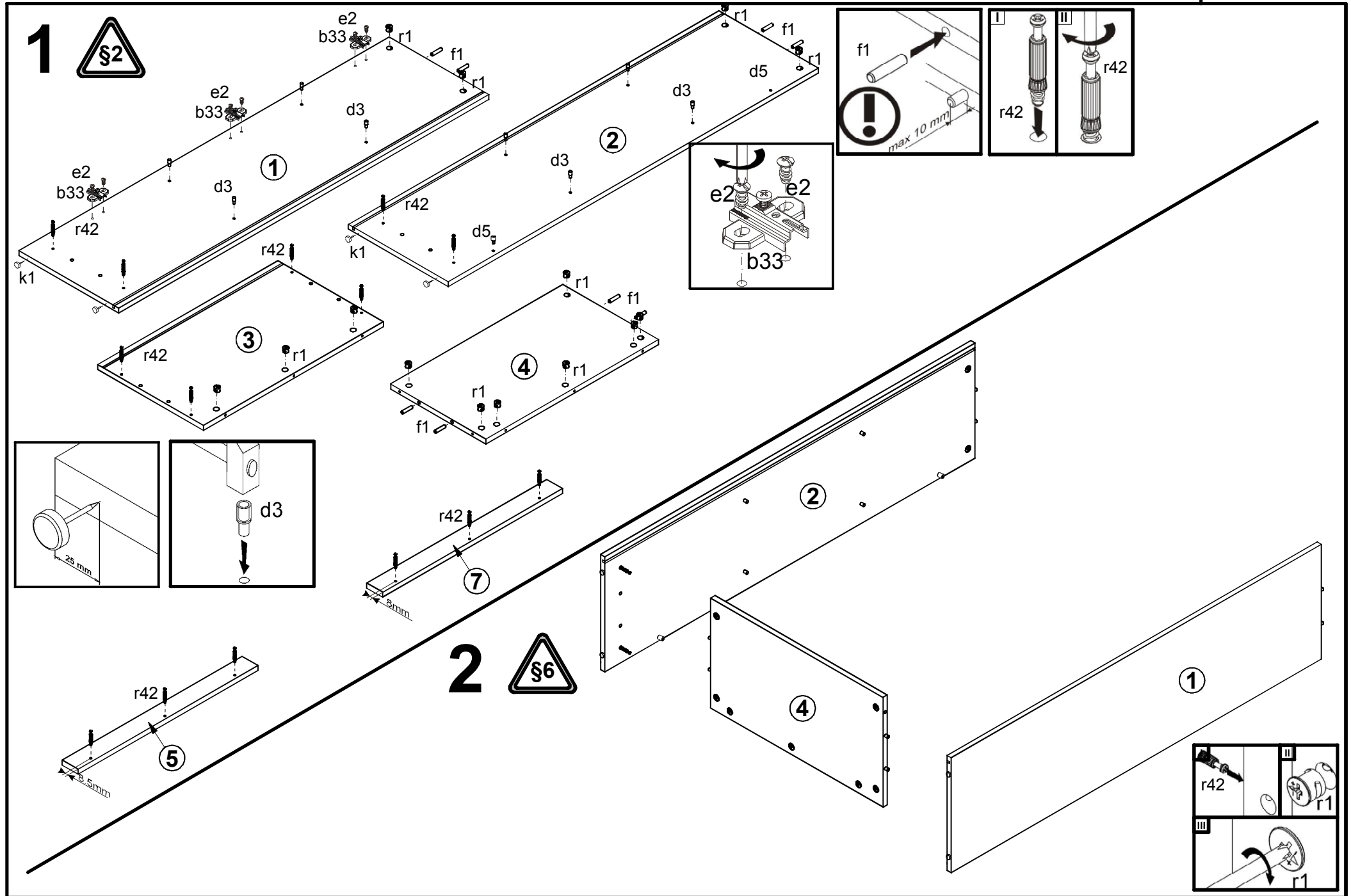


4x K16 a43	6x K0 a44	4x D5 b19	6x D1.5 b33	cm 0 1 2 3 4 5 6 7 8 9 10							2x o43/1	1x o43/6
5x L=96/128 mm c235	16x φ5x17 mm d3	4x φ6,3x15 mm d5	12x φ7x50 mm e1	2x φ6,3x13 mm e2	6x φ6x13 mm e3	4x φ5x11 mm e4	4x φ6,3x13 mm e5	4x φ5x9 mm e19	40x φ8x30 mm f1	4x φ6,5x40 mm f25	7x φ10x50 mm f35	2x g2
12x k1	30x l2	2x L-236 m3	3x 86x21x15/1,5mm n14/2	1x h165/L n165/L	1x h165/P n165/P	14x o1	2x φ8x1,8mm o21	6x φ3,5x13 mm p1	10x φ4x30 mm p9	5x φ5x60 mm p17	4x φ4x30 mm p21	32x φ3,5x16 mm p38
20x φ3,5x15 mm p51	2x φ6x60 mm p75	74x φ15x12mm #16 r1	74x 20/11 r42	16x s2	1x 300 mm w37 ^{DR}	1x 300 mm w37 ^{CR}	1x 300 mm w37 ^{DL}	1x 300 mm w37 ^{CL}	1x z1			

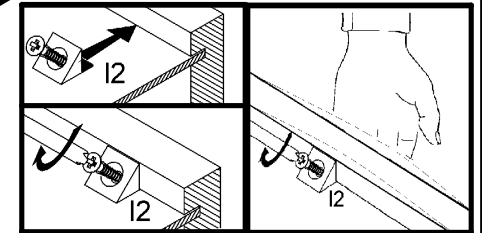
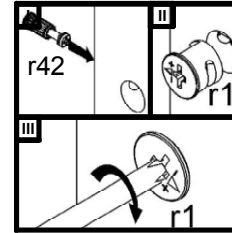
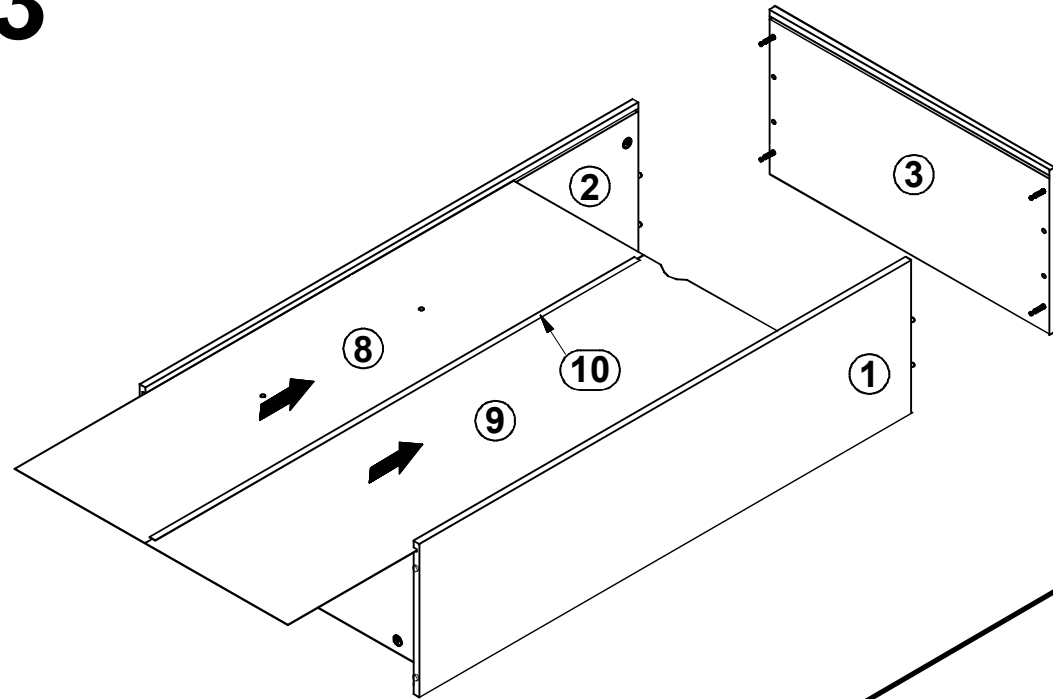


A	B	C (mm)		D
1	N46-107	985	338	3/4
2	N46-108	985	338	3/4
3	N46-203	600	338	3/4
4	N46-305	567	318	3/4
5	N46-506	600	60	3/4
6	N46-507	565	290	3/4
7	N46-509	600	60	3/4
8	N46-905	943	288	3/4
9	N46-906	943	288	3/4
10	Lh-920	920	14	3/4

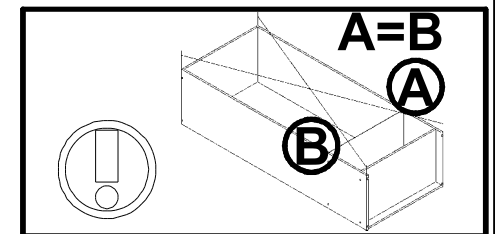
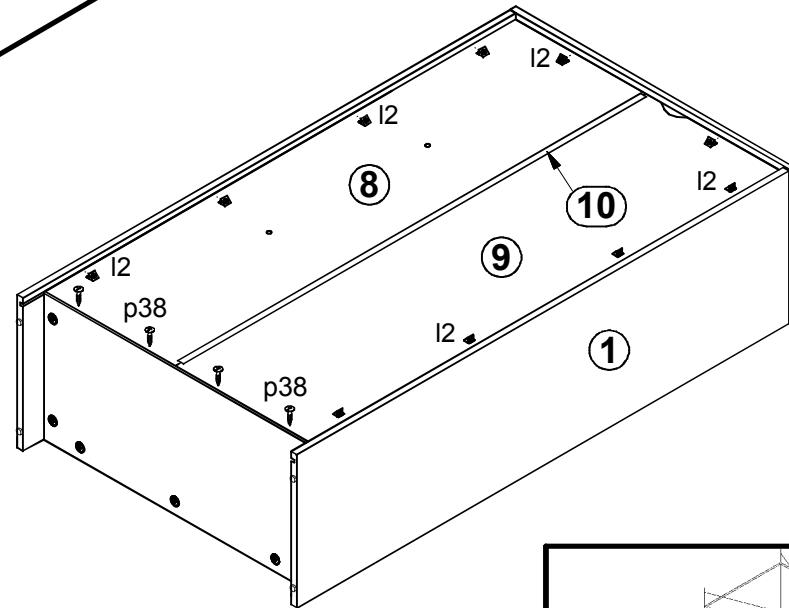




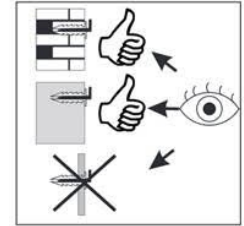
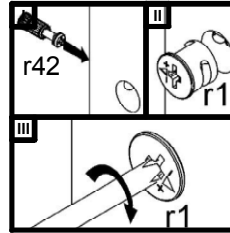
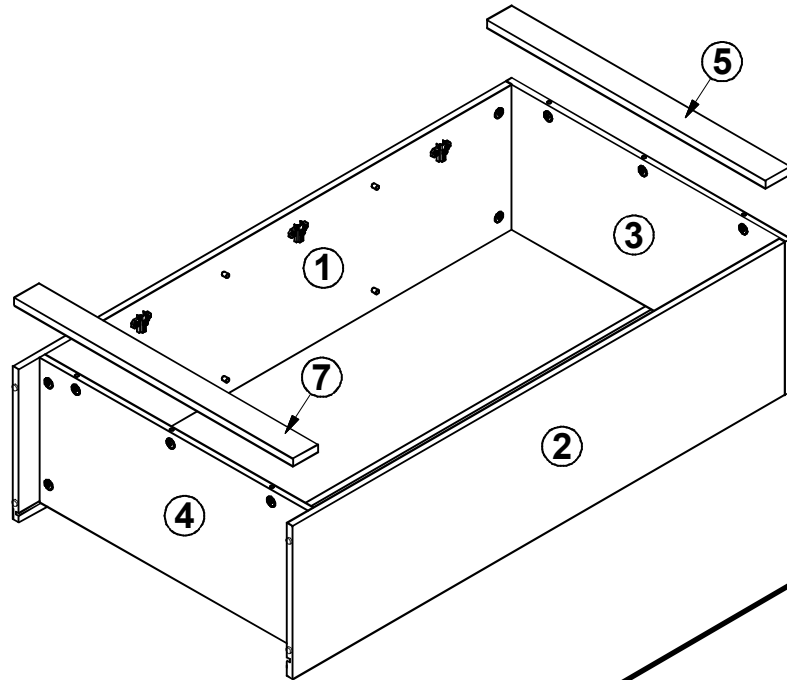
3



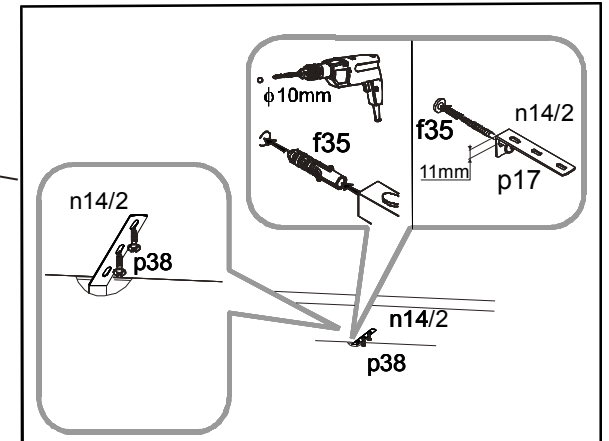
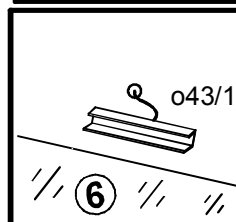
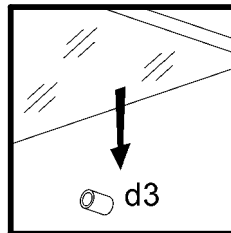
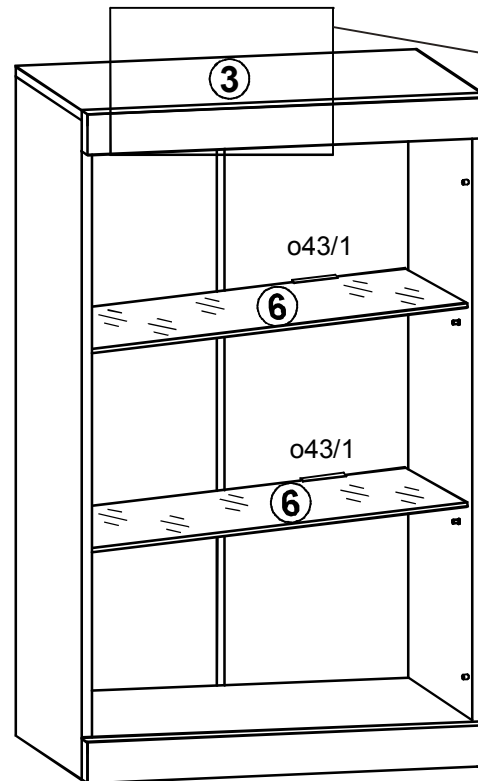
4

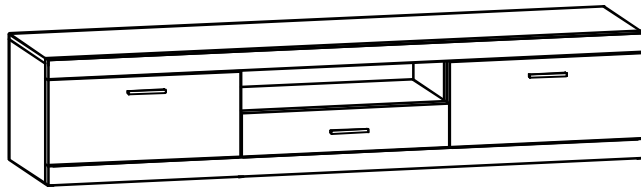


5

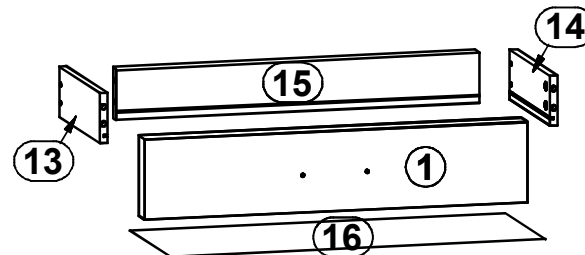
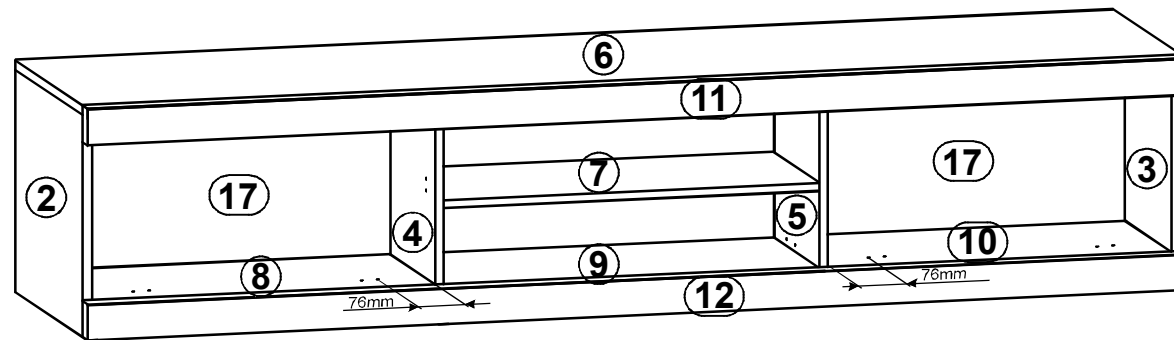


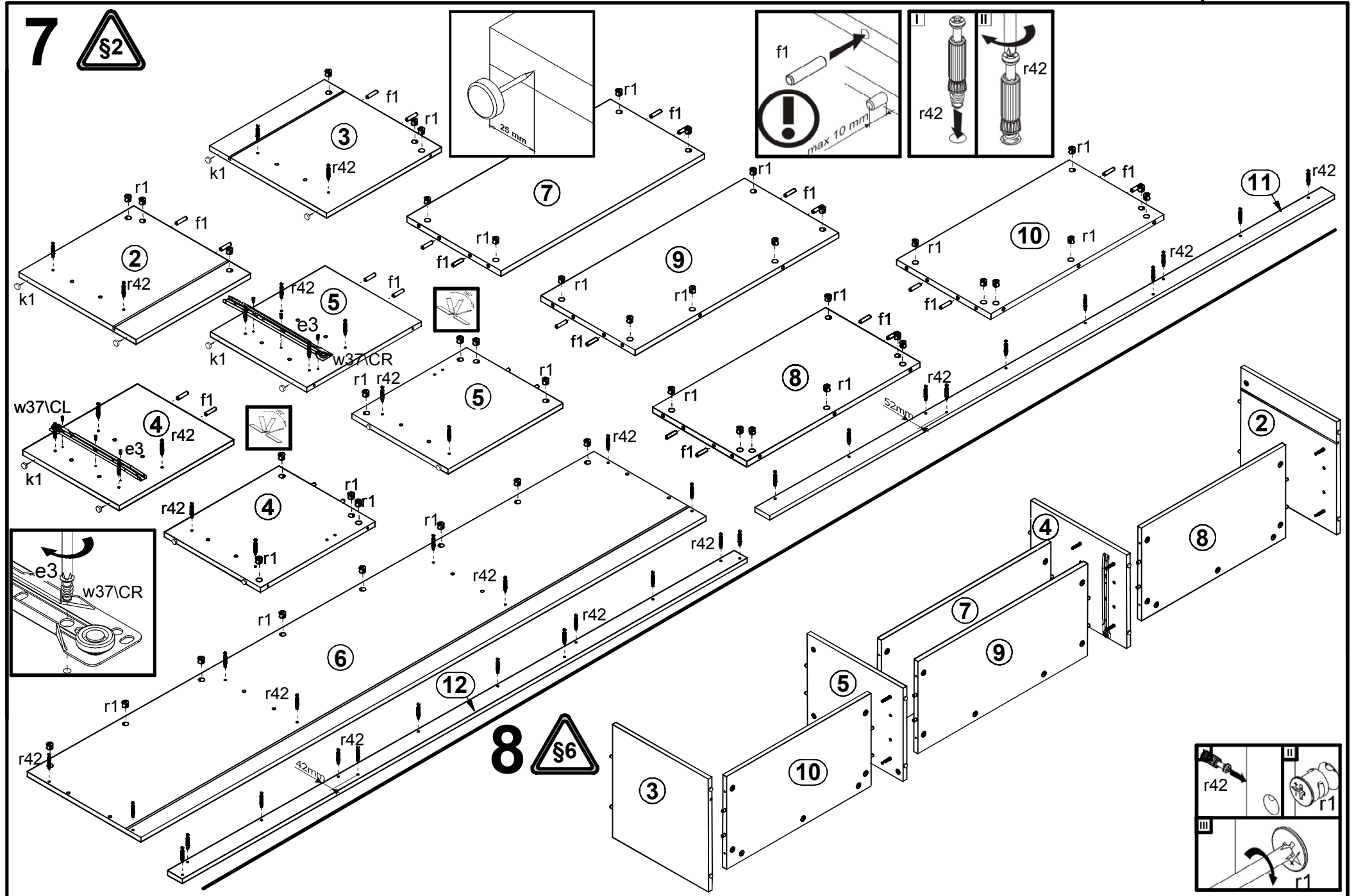
6

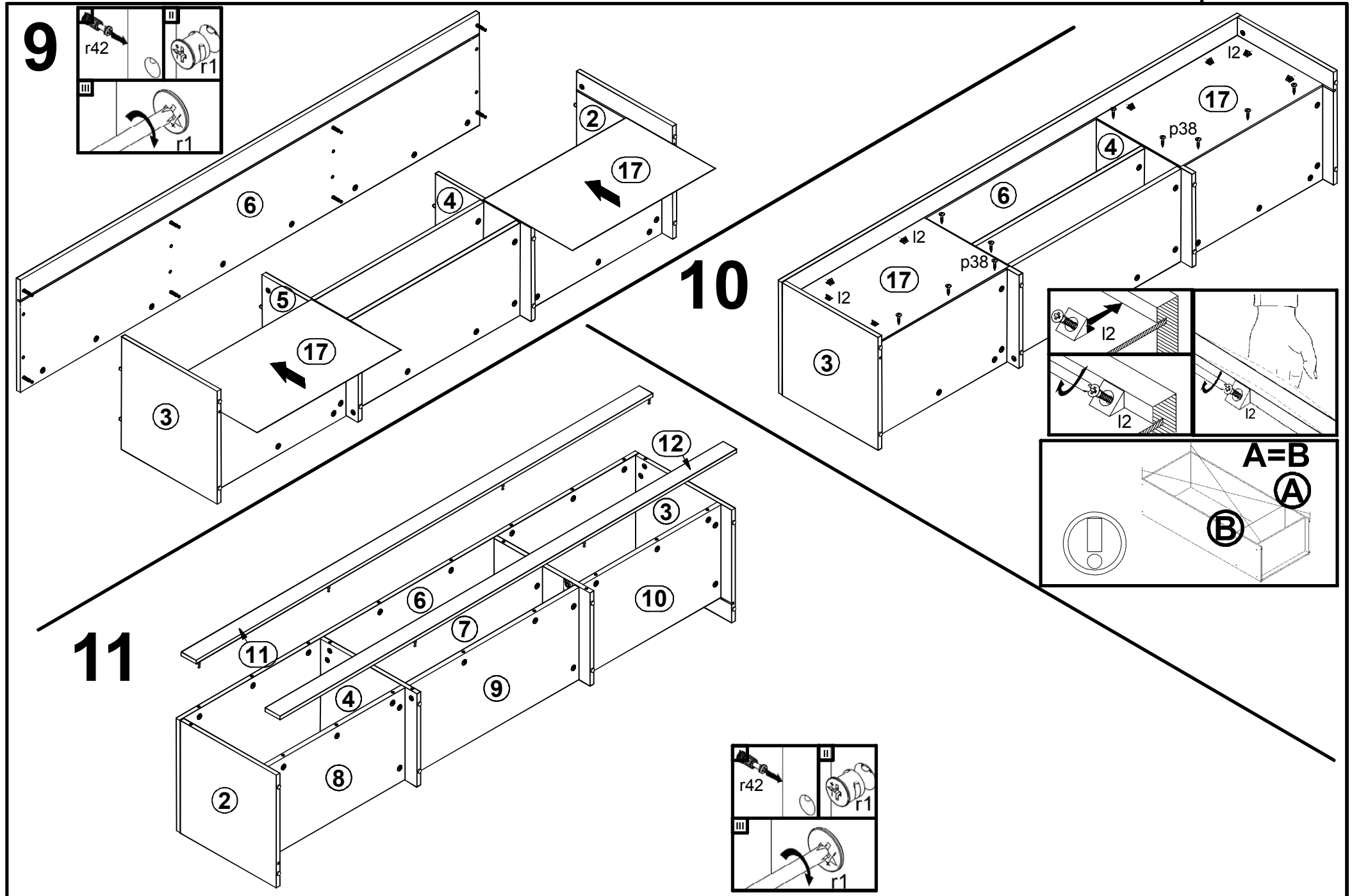




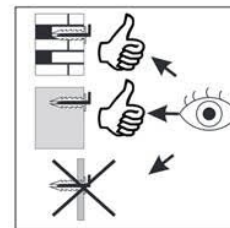
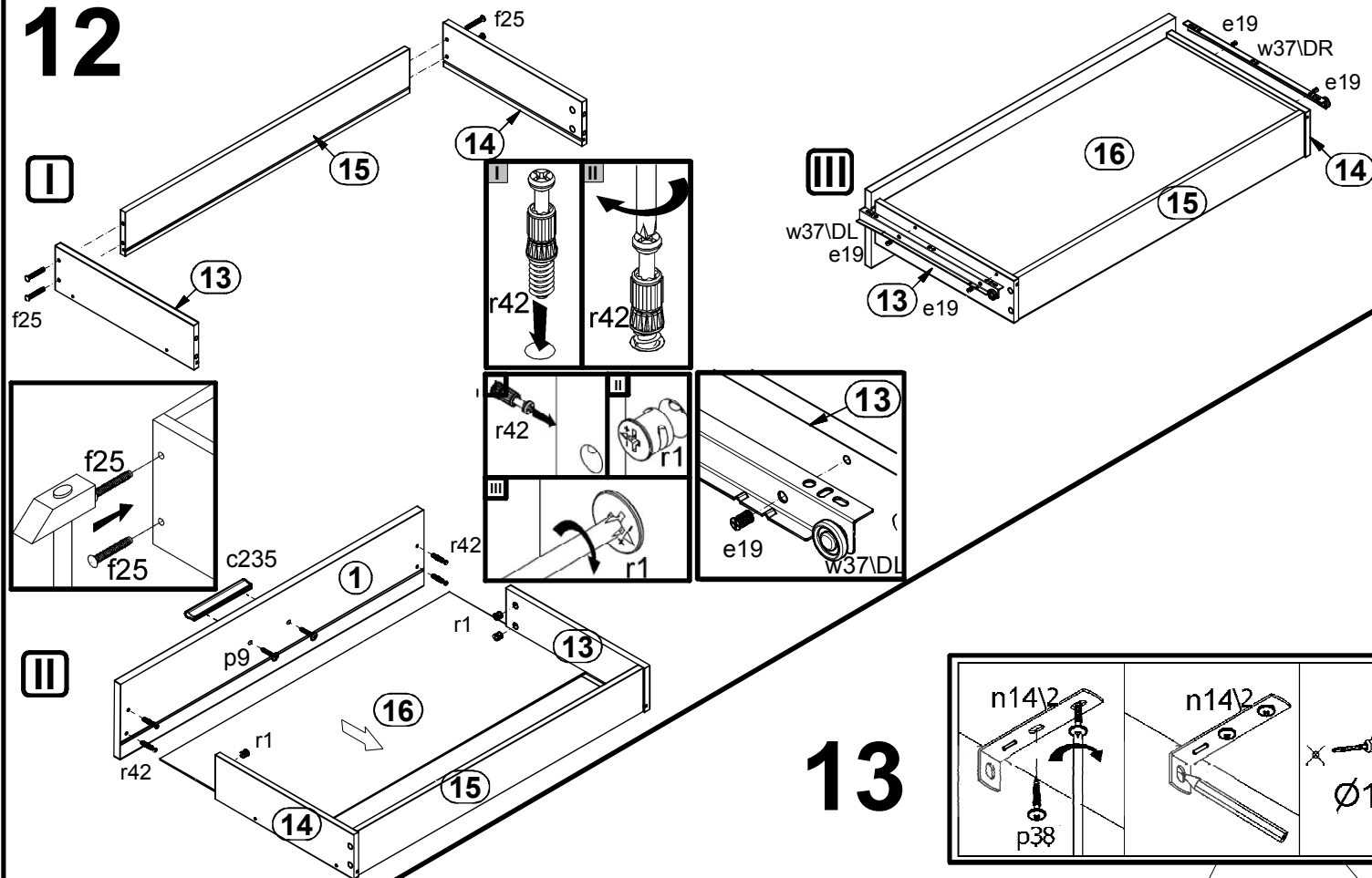
A	B	C (mm)		D
1	N46-001	645	135	1/4
2	N46-101	374	384	2/4
3	N46-102	374	384	2/4
4	N46-103	374	320	2/4
5	N46-104	374	320	2/4
6	N46-201	1850	384	1/4
7	N46-301	635	320	2/4
8	N46-302	575	320	2/4
9	N46-303	635	320	2/4
10	N46-304	575	320	2/4
11	N46-501	1850	60	1/4
12	N46-502	1850	60	1/4
13	N46-503	300	90	1/4
14	N46-504	300	90	1/4
15	N46-505	578	90	1/4
16	N46-901	588	300	1/4
17	N46-902	332	593	1/4



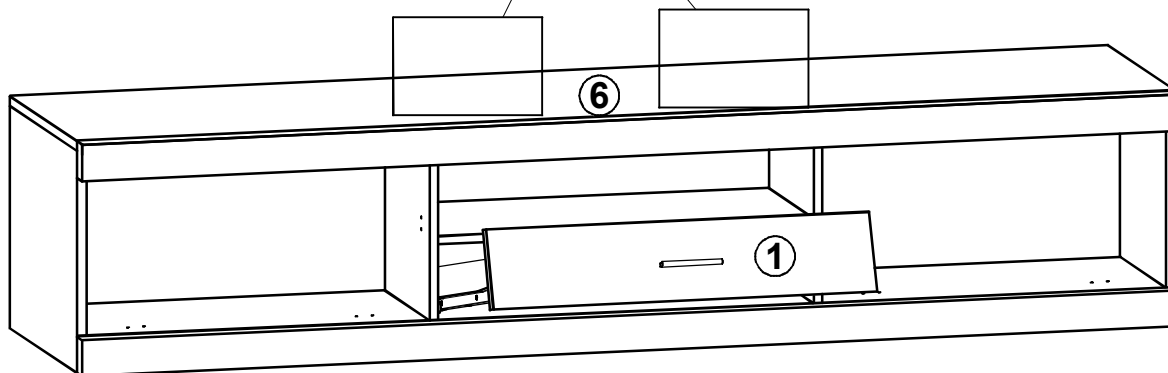
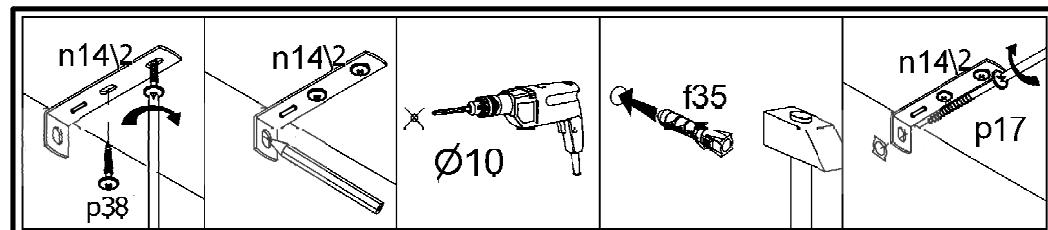


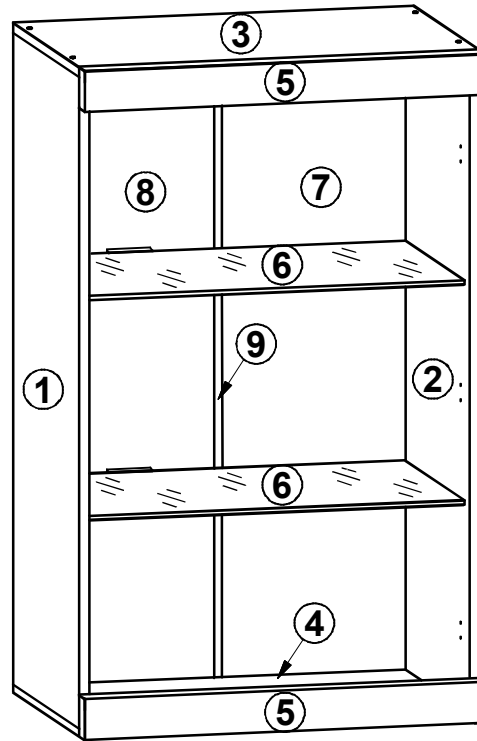
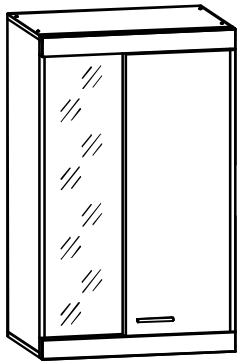


12

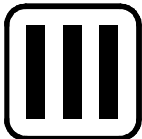


13

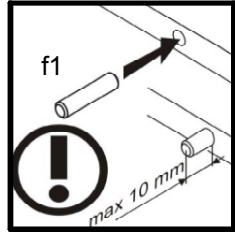
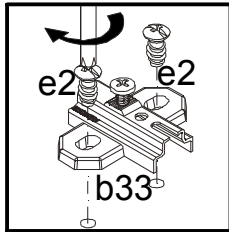
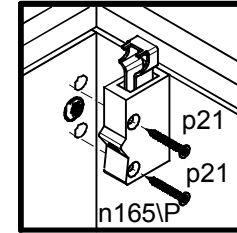
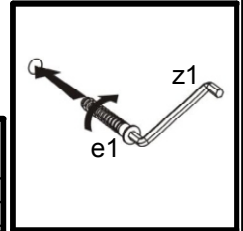
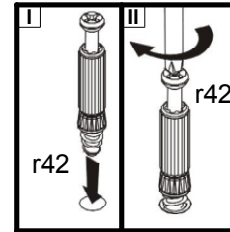
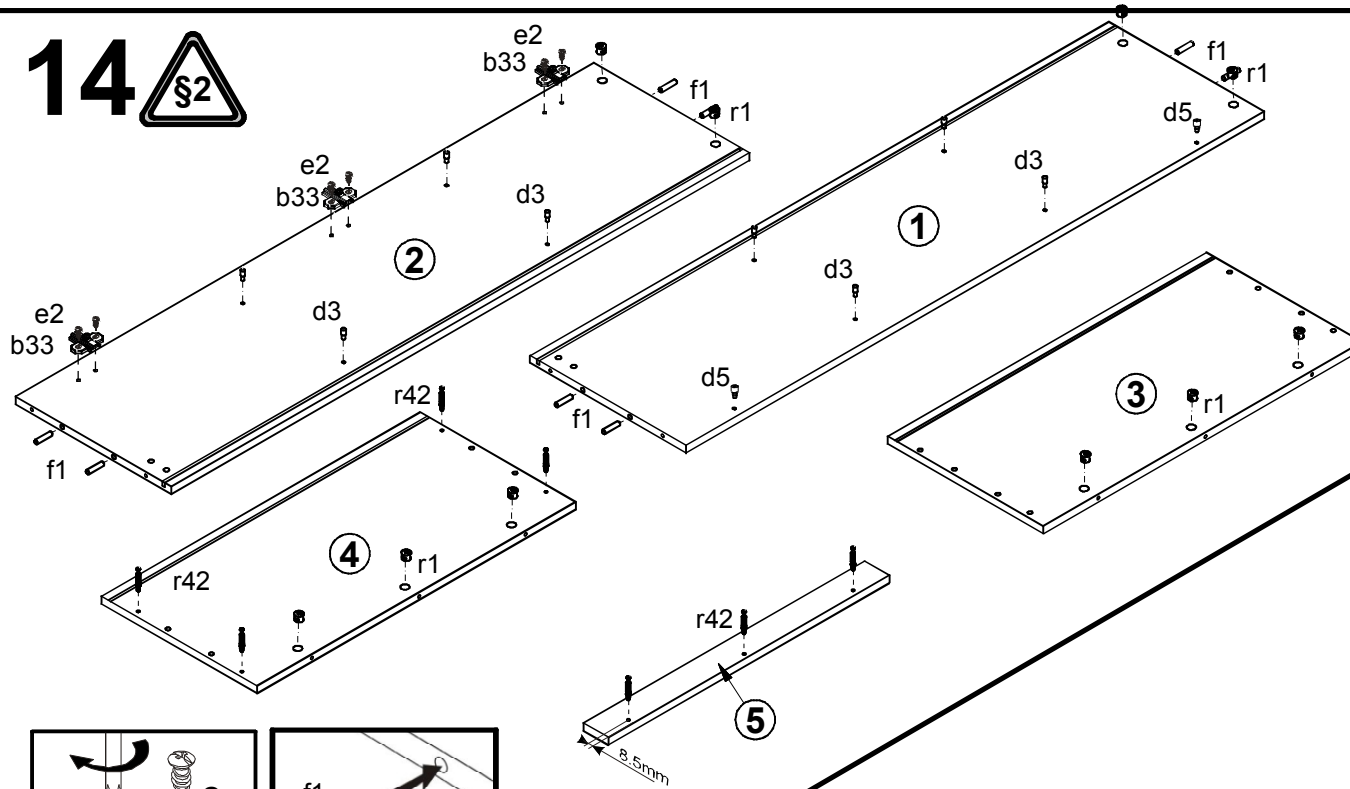




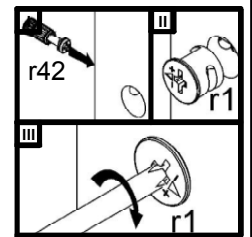
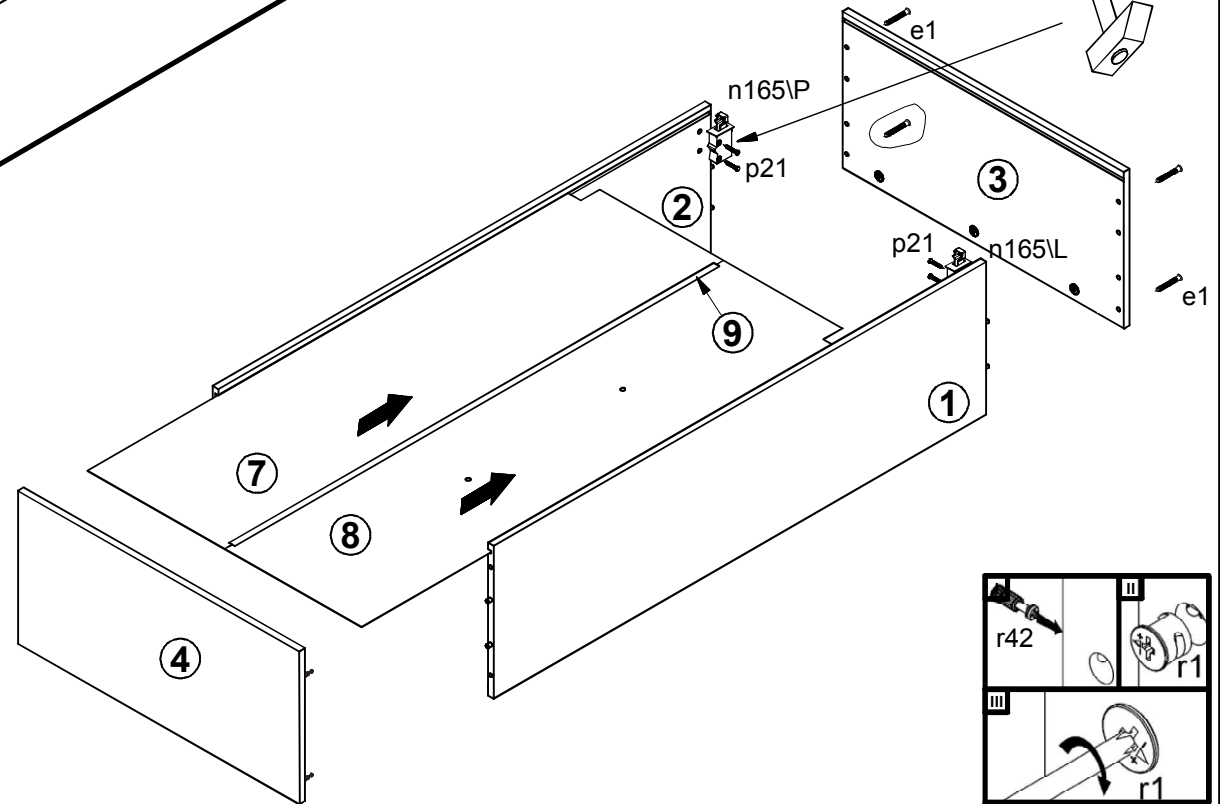
A	B	C (mm)		D
1	N46-105	968	338	3/4
2	N46-106	968	338	3/4
3	N46-202	600	338	3/4
4	N46-303	600	338	3/4
5	N46-506	600	60	3/4
6	N46-507	565	290	3/4
7	N46-903	978	288	3/4
8	N46-904	978	288	3/4
9	Lh-960	960	14	3/4



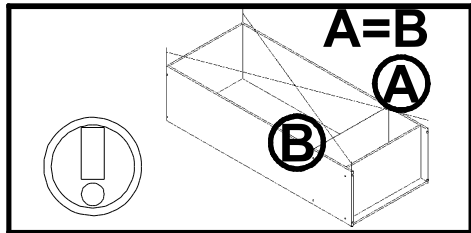
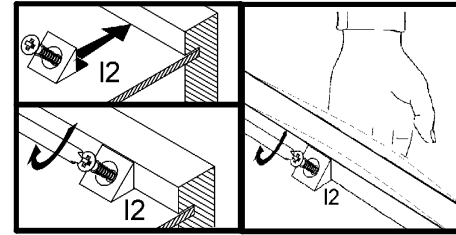
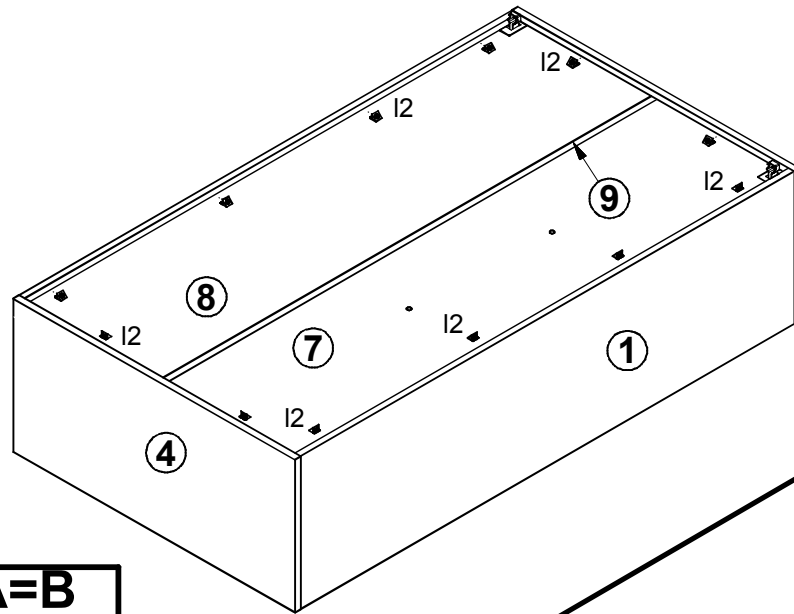
14



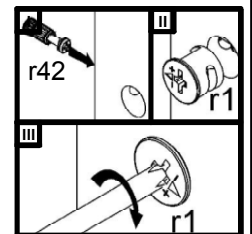
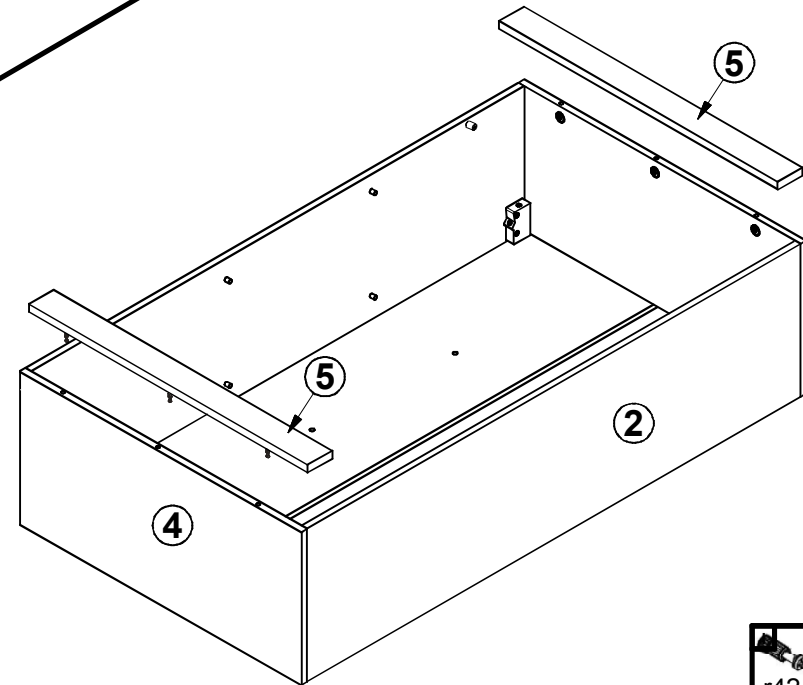
15



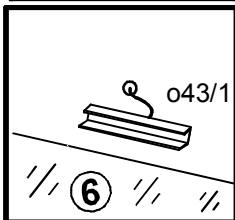
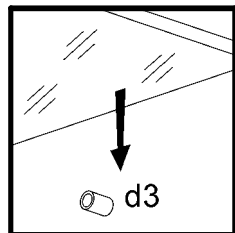
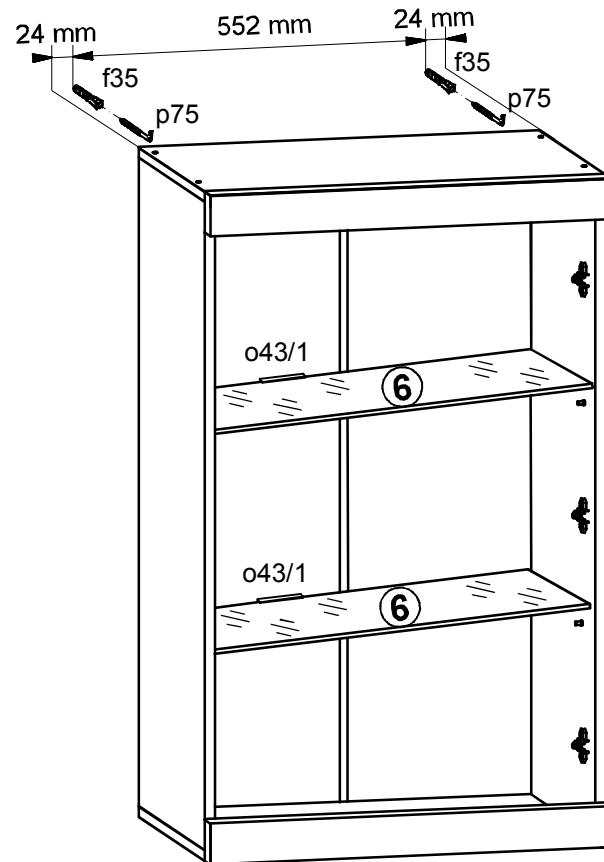
16



17



18



φ10mm

f35

f35 p75

1 cm p75

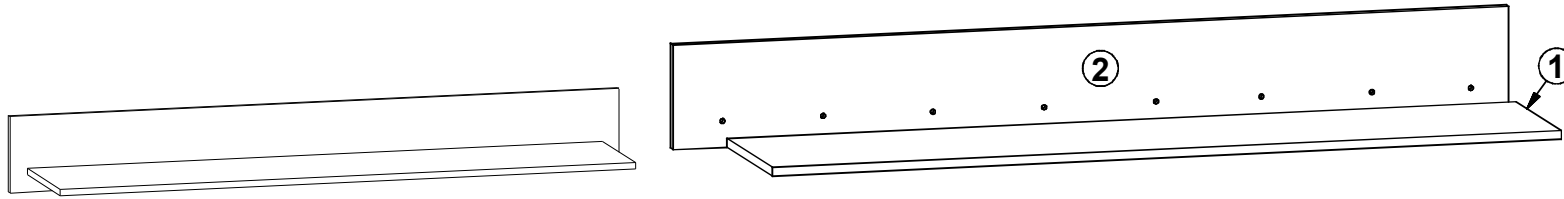
n165

p75

n165

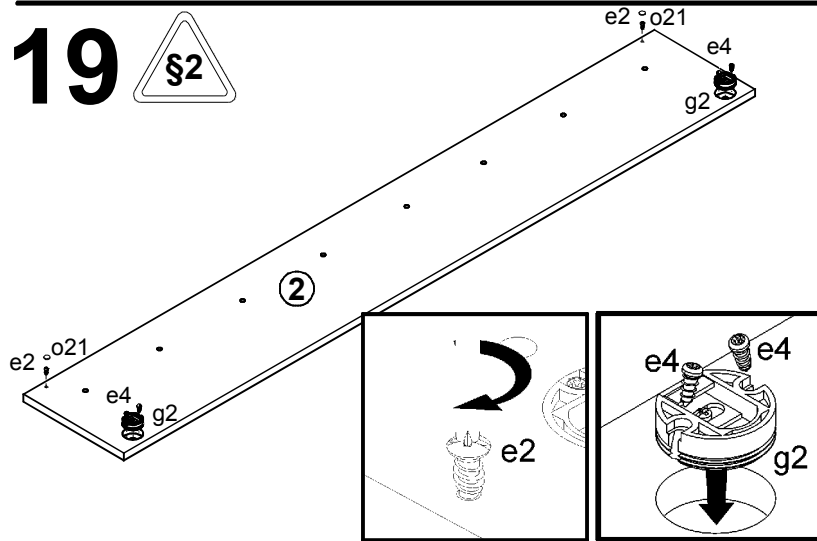
p75

! \$10

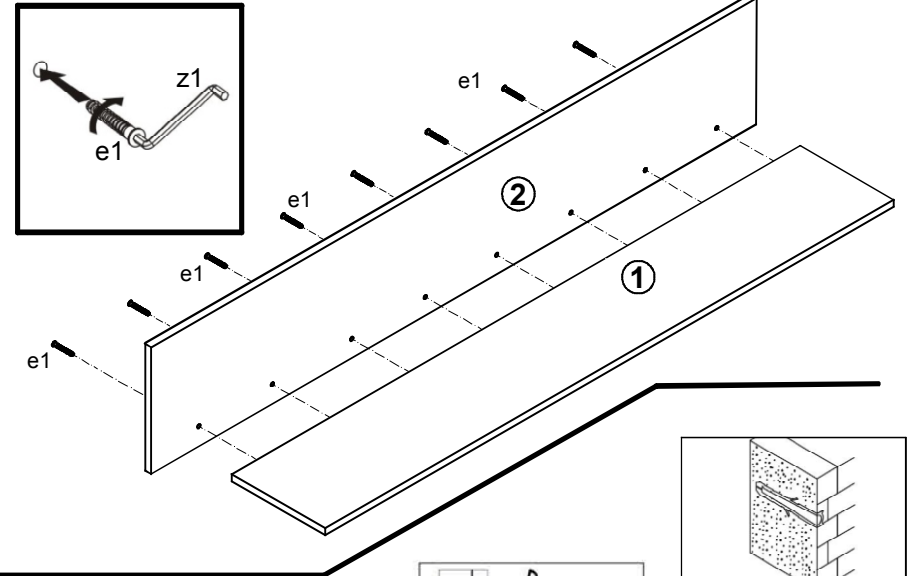


A	B	C (mm)		D
1	N46-306	1200	204	1/4
2	N46-401	1300	240	1/4

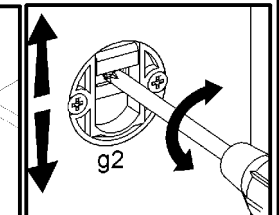
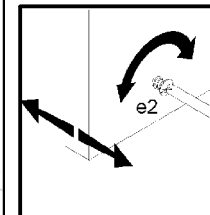
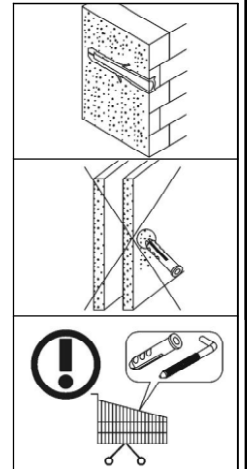
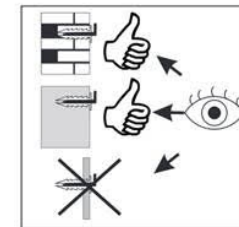
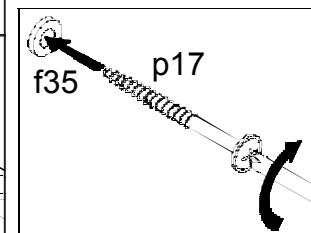
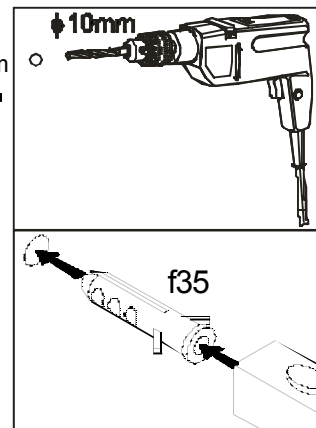
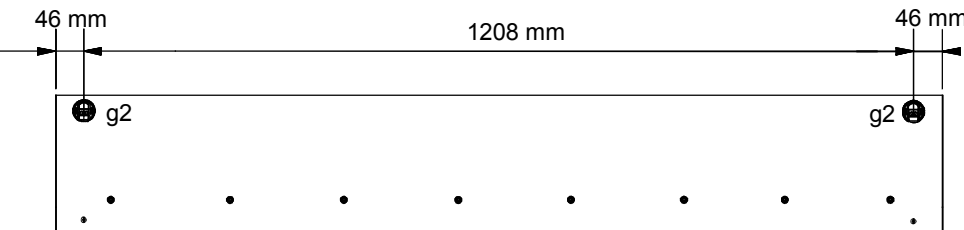
19

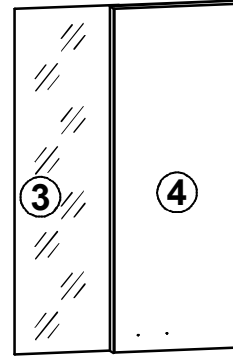
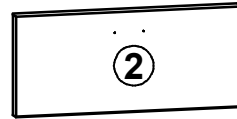
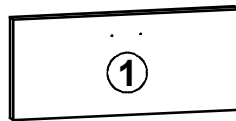
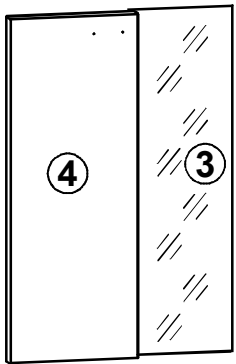


20



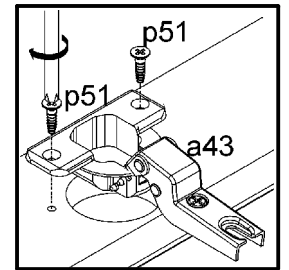
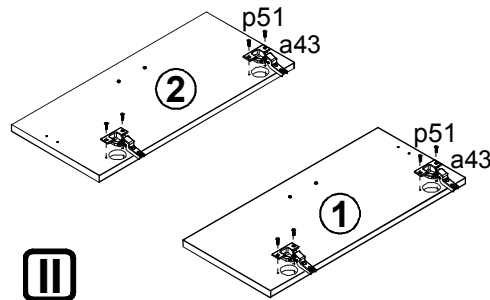
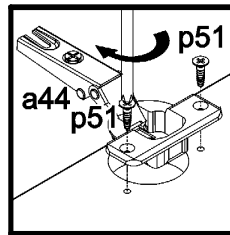
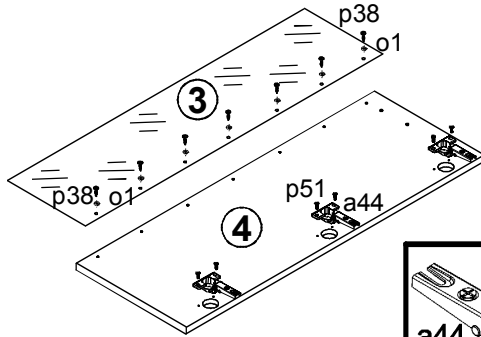
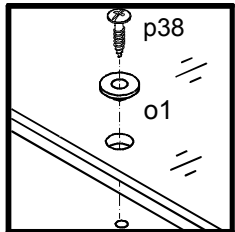
21





A	B	C (mm)		D
1	N46-002	599	265	1/4
2	N46-003	599	265	1/4
3	N46-508	876	270	3/4 4/4
4	N46-701	876	340	3/4 4/4

22



23

