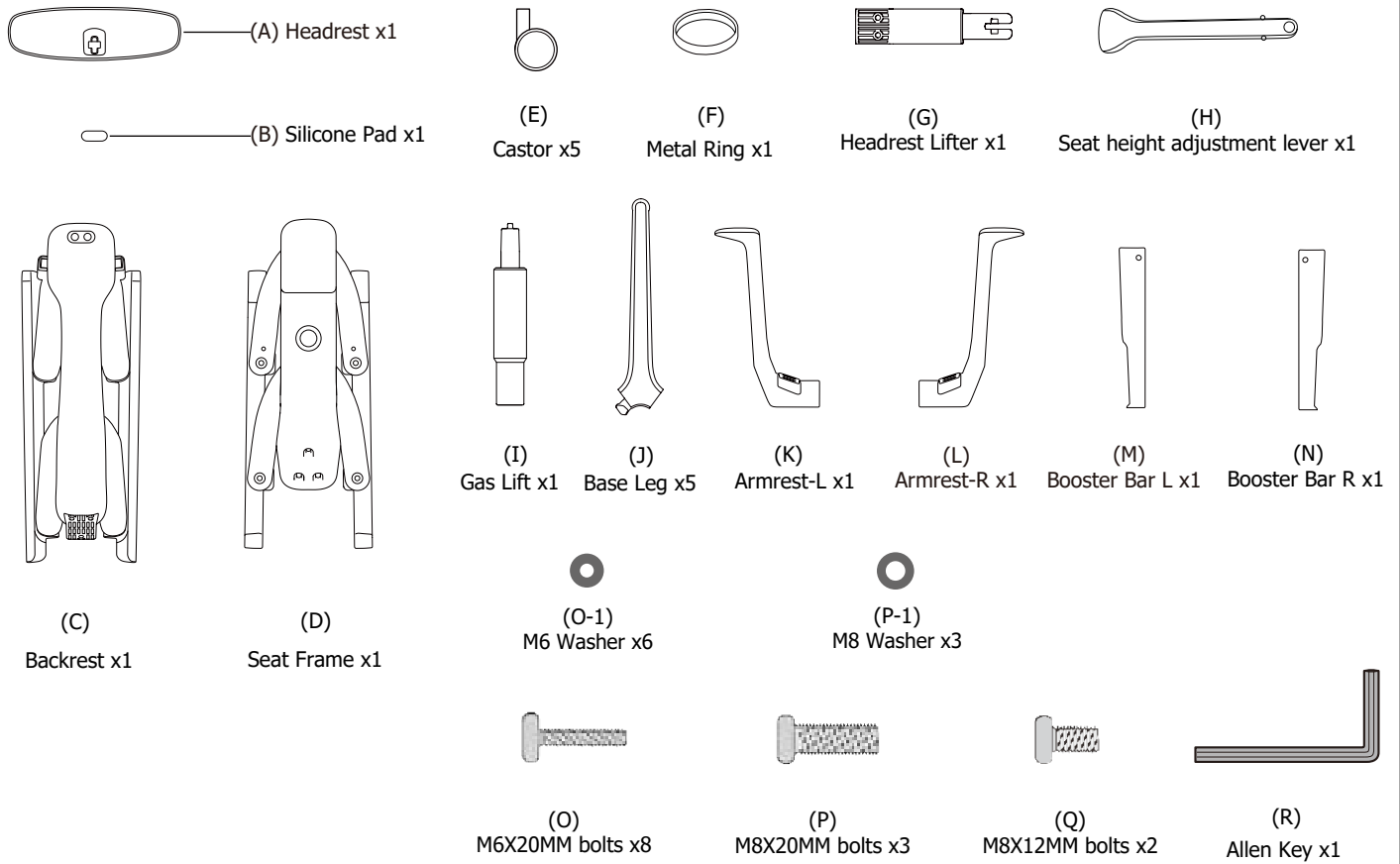
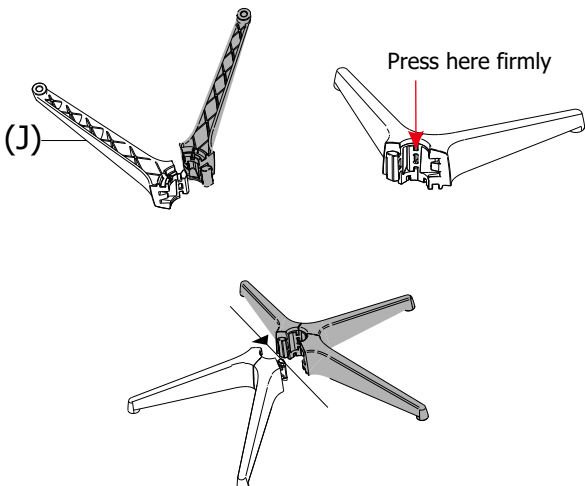


## Components List:



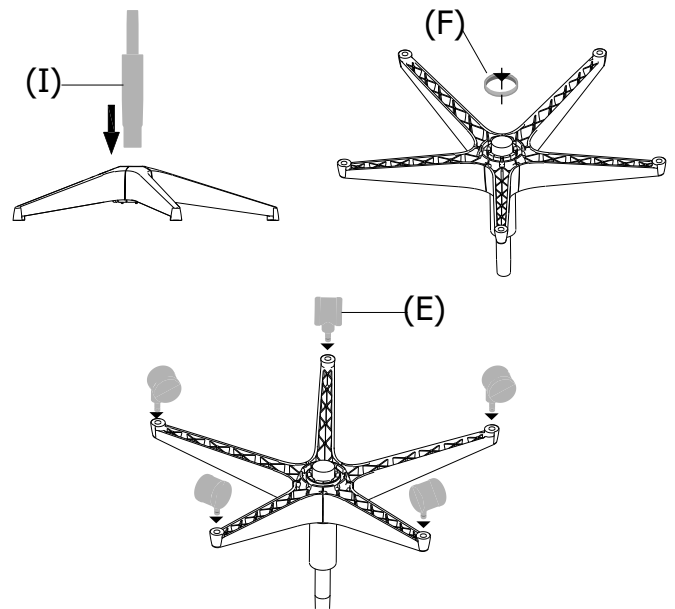
**1**

- 1) Assemble the groove of one leg (J) with the convex groove of the other leg, and then press firmly on the connection as shown in the figure.
- 2) Combine the five legs into 2 sets: 2-leg & 3-leg.
- 3) Assemble the two sets of legs together.



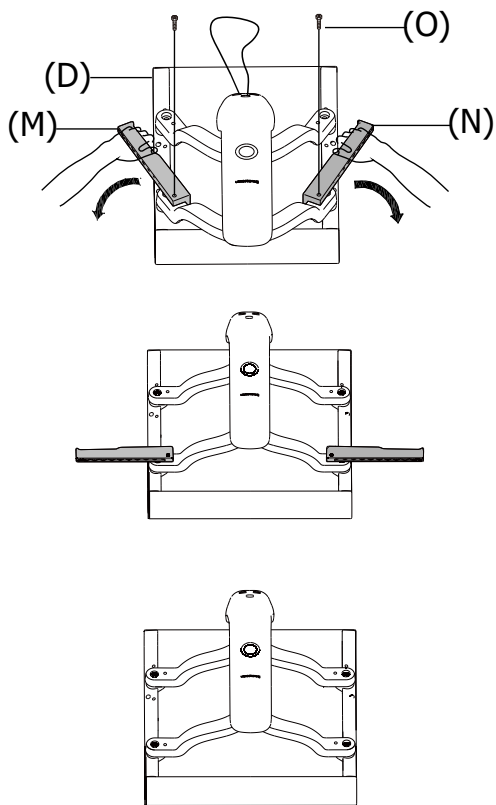
**2**

- 1) Insert the Gas Lift (I) onto the preassembled base.
- 2) Put the base upside down and insert the metal ring (F) in the middle (bigger diameter down).
- 3) Insert the castors (E) into the legs.



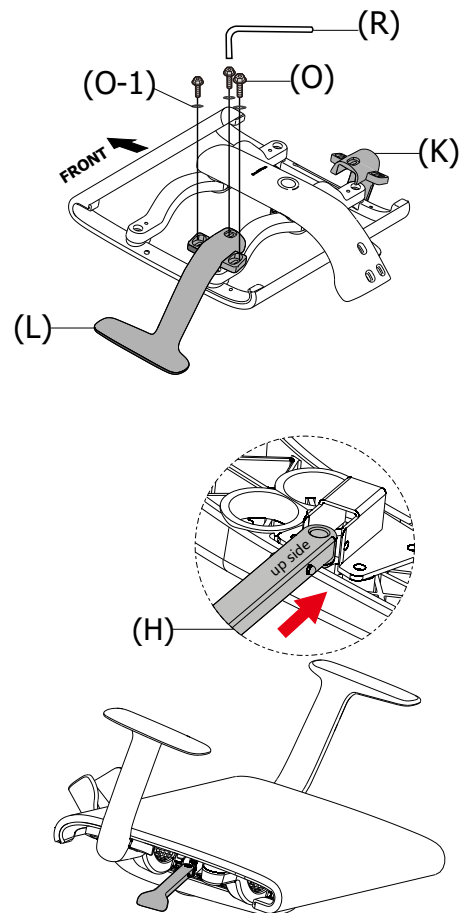
3

- 1) The booster bars (M, N) are installed on the seat frame (D) as shown in the figure, and fastened with M6X20 (O) bolts.
- 2) Step on the rope, hold the booster bars on both sides, expand the seat frame fabric.
- 3) Remove the booster bars after expansion.
- 4) Cut rope, take off the booster bars and throw them after finishing.



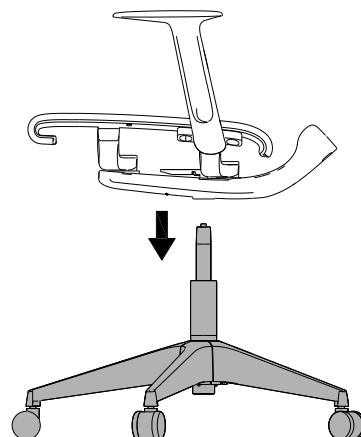
4

- 1) Put seat frame upside down, assemble the arms into matching holes.
- 2) Tighten the M6x20 Bolts(O) & Washers (O-1) with an allen key (R).
- 3) Insert the seat height adjustment lever (H) into the corresponding hole in the tray.



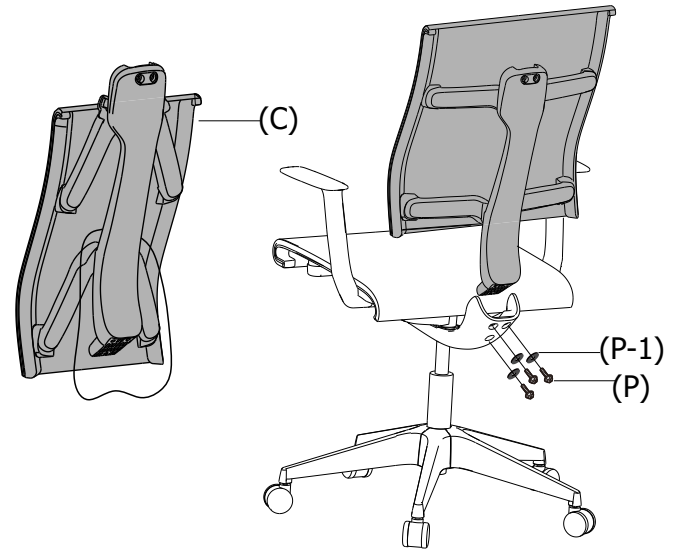
5

- 1) Place the seat frame hole on top of the gas lift.
- 2) After installation is complete, sit on a chair to make it fully jammed.



6

- 1) Unfold the undeployed back frame (C) with the rope and install it on the tray.
- 2) Tighten the M8x20 Bolts(P) & Washers (P-1) with an allen key (R).
- 3) Cut and throw the rope after finishing.



7

- 1) Install the headrest height adjustment lifter (G) into the upper part of the seat back.
- 2) Tighten M8x12 Bolts (Q), cover with silicone pad(B).
- 3) For headrest installation, please refer to the headrest(A) installation tag.

