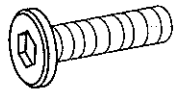
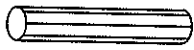


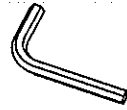
# ASSEMBLY INSTRUCTION



A 18ps



B 6ps



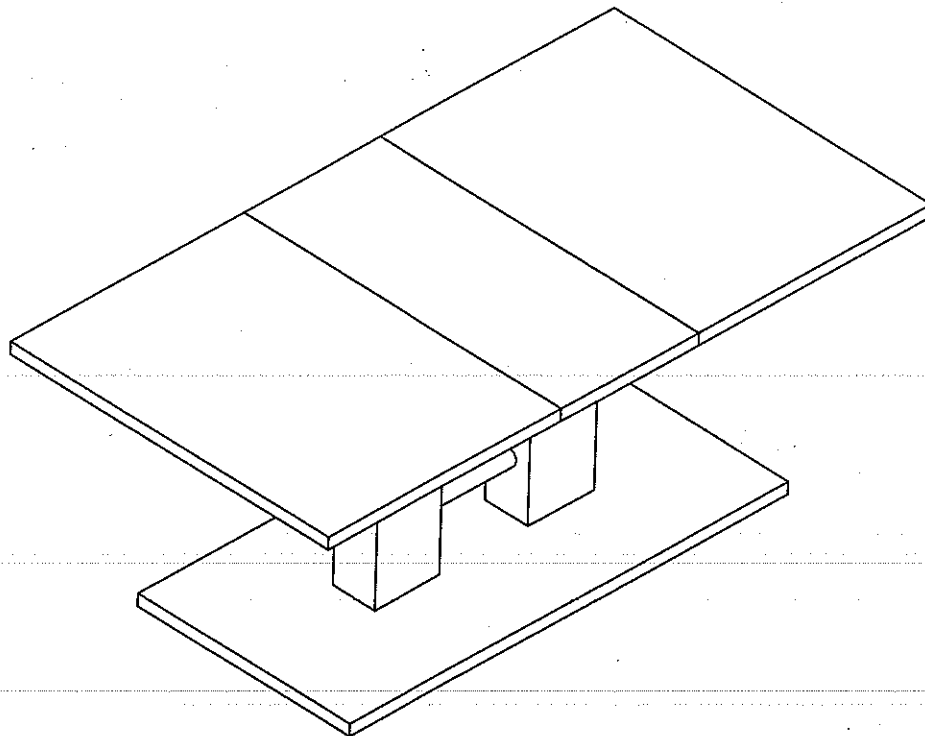
C 1p



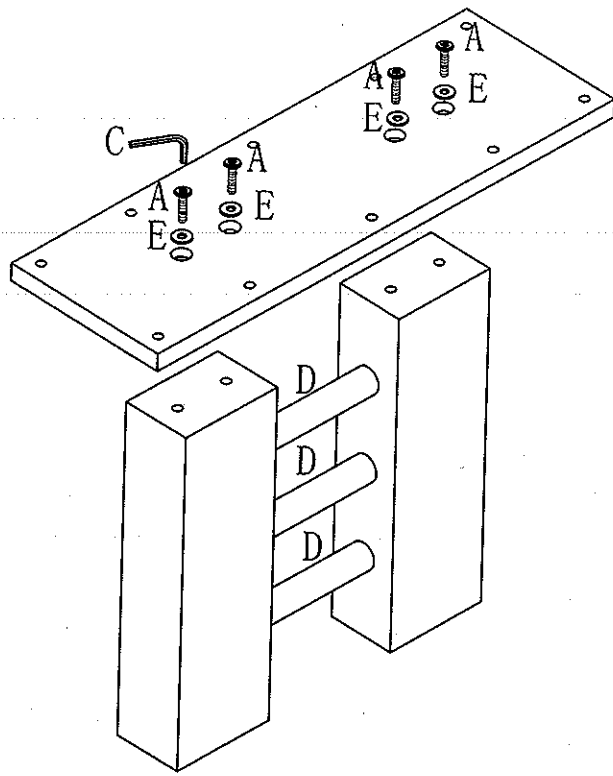
D 3ps



E 18ps



1



2

