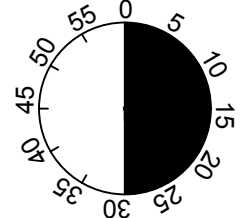
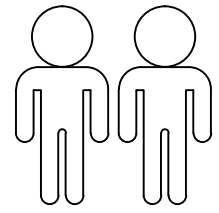
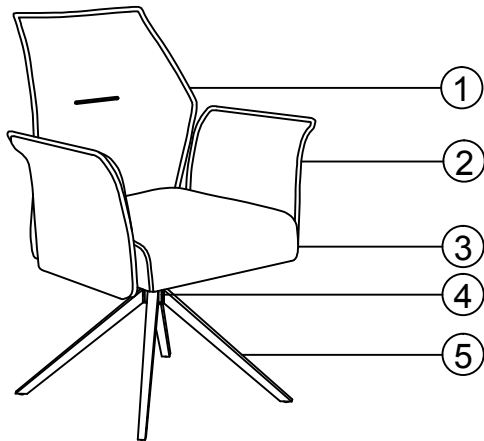


Doreen 1

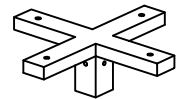
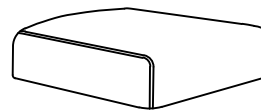
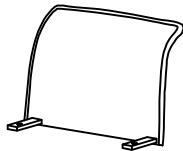
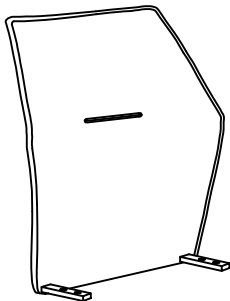


1

2

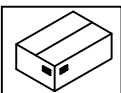
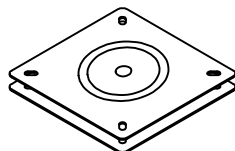
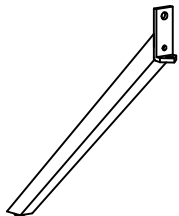
3

4

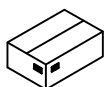


5

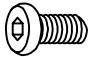
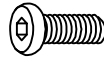
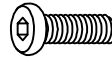
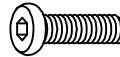





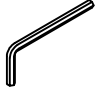

6



1	1x	1/2
2	2x	1/2
3	1x	2/2
4	1x	2/2
5	4x	2/2
6	1x	2/2

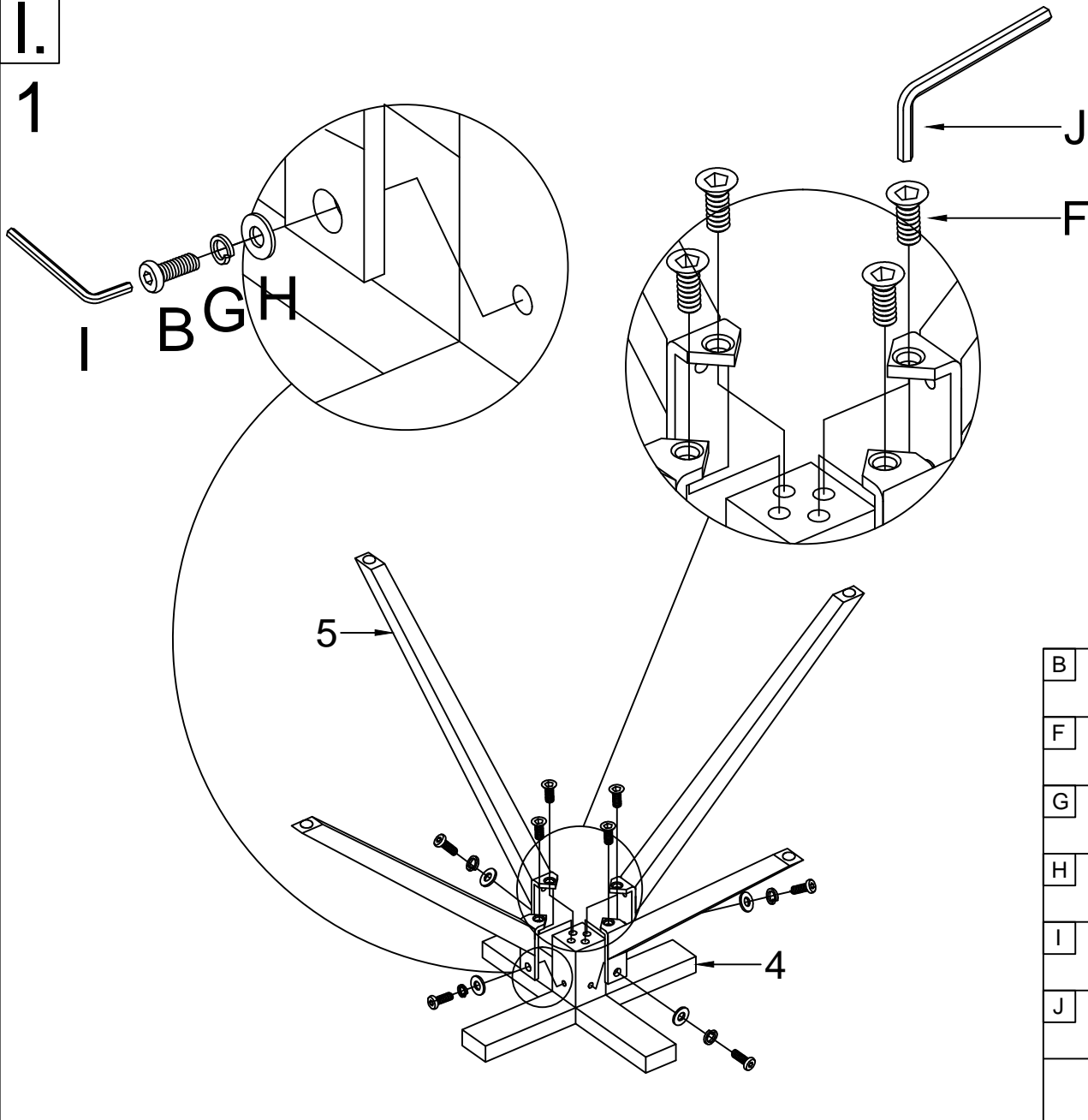





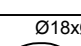



2/2

A	M6X13	B	M6X20	C	M6X25	D	M6X30	E	M6X12	F	M8X16
	4x		6x		4x		2x		4x		4x
G	M6	H	Ø18xØ6x1.5	I	4MM	J	5MM	K	Ø18xØ8x10		
	8x		16x		1x		1x		2x		

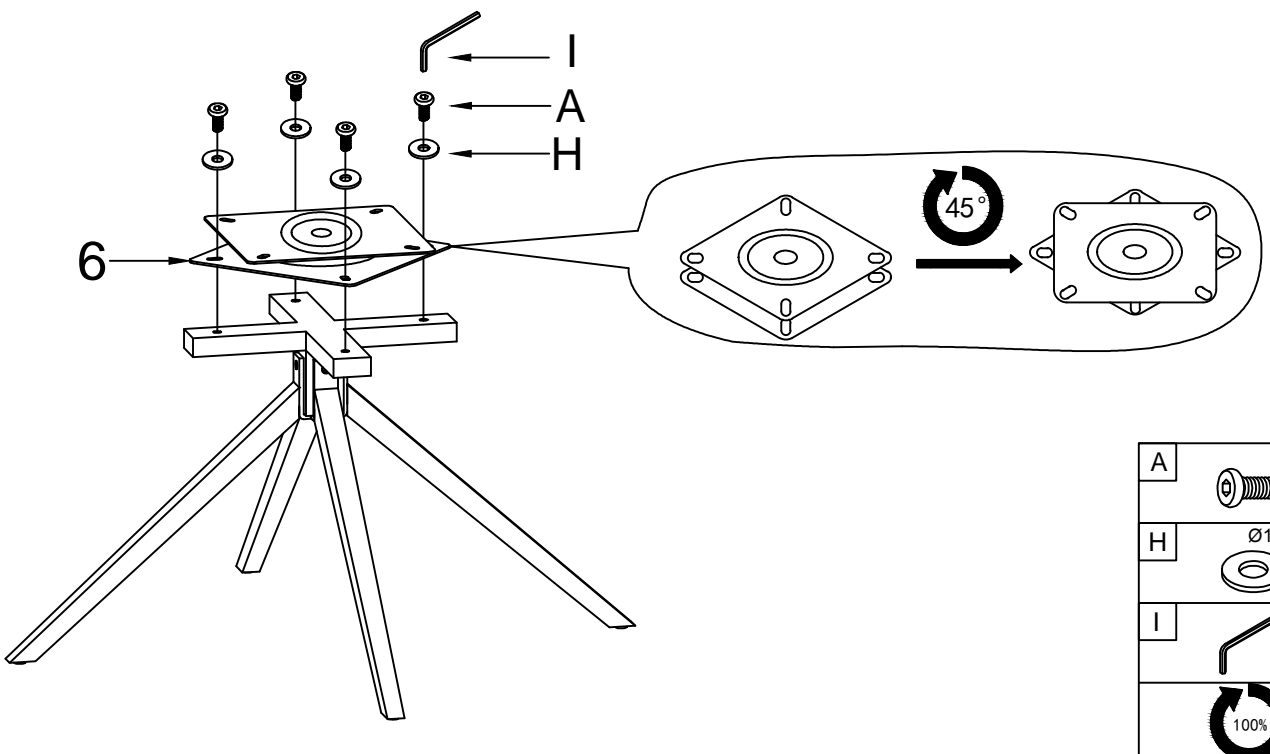
I.


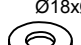


1



B		M6x20
		4x
F		M8x16
		4x
G		M6
		4x
H		Ø18xØ6x1.5
		4x
I		4MM
		1x
J		5MM
		1x
		

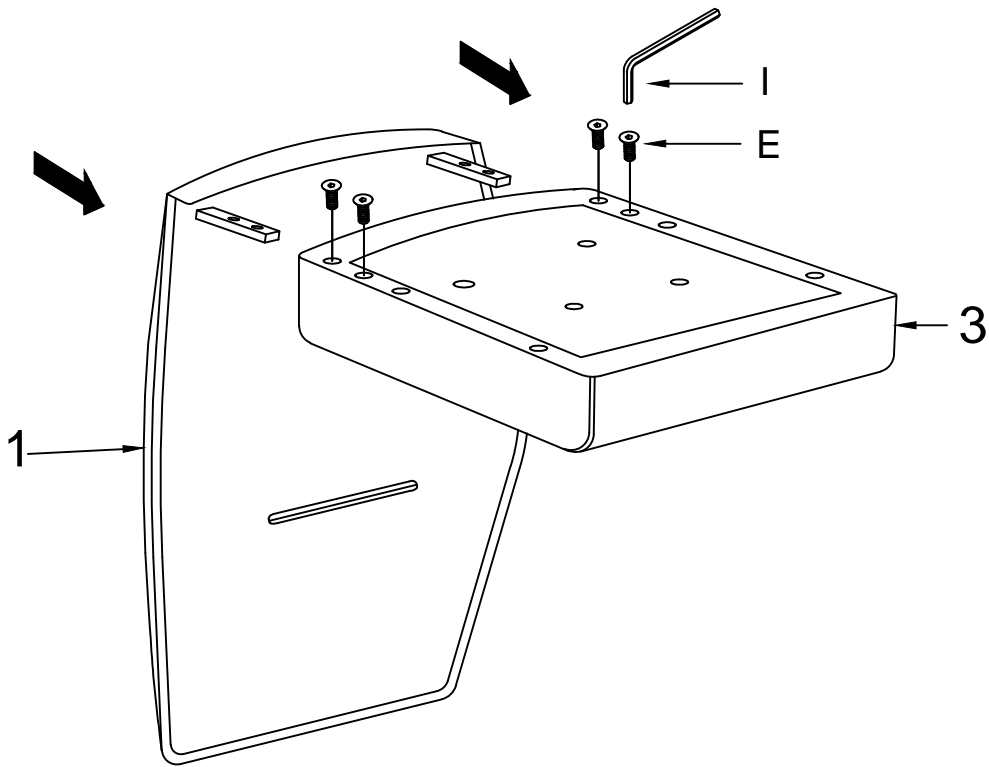
2



A		M6x13
		4x
H		Ø18xØ6x1.5
		4x
I		4MM
		1x
		

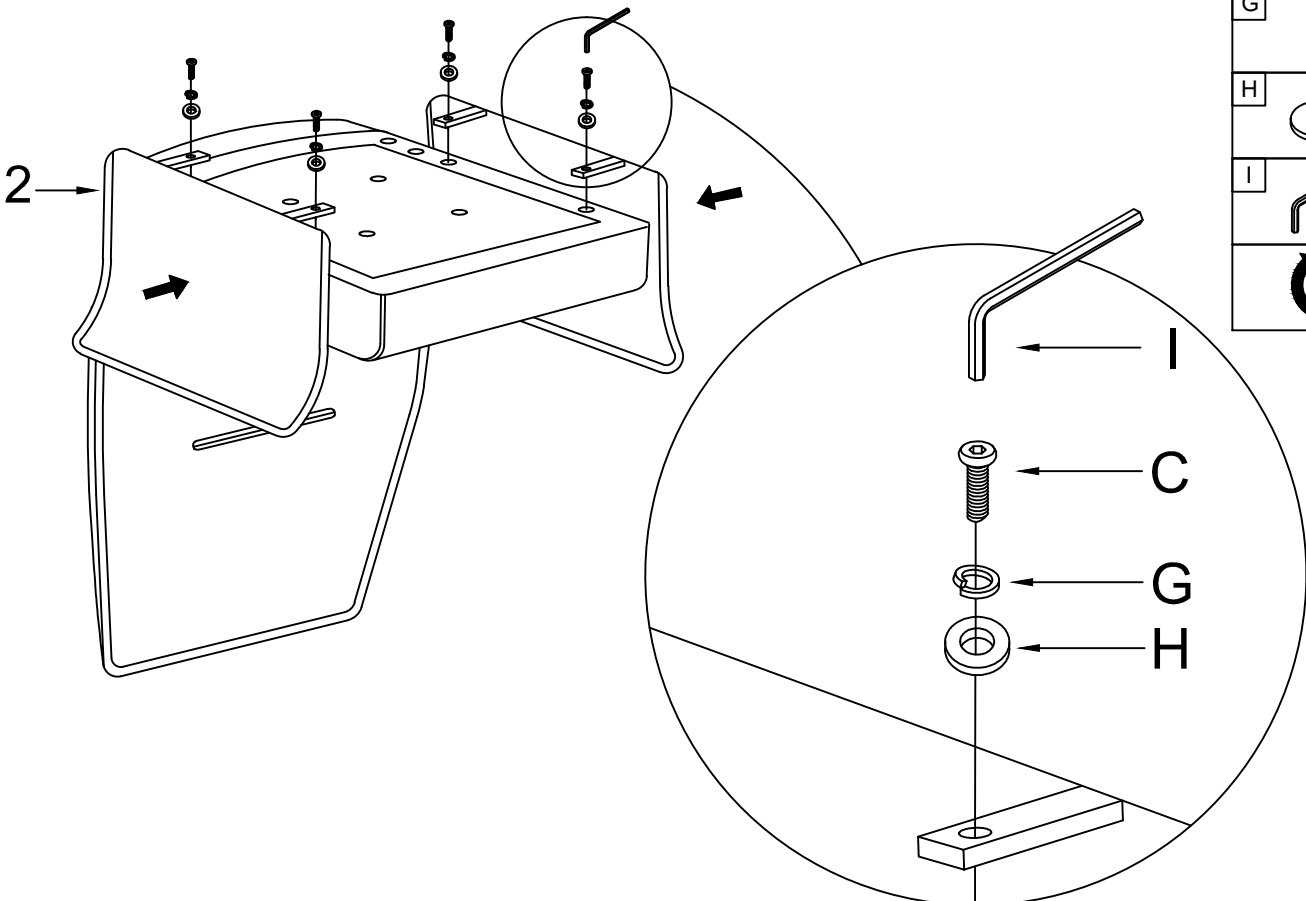
II.

3



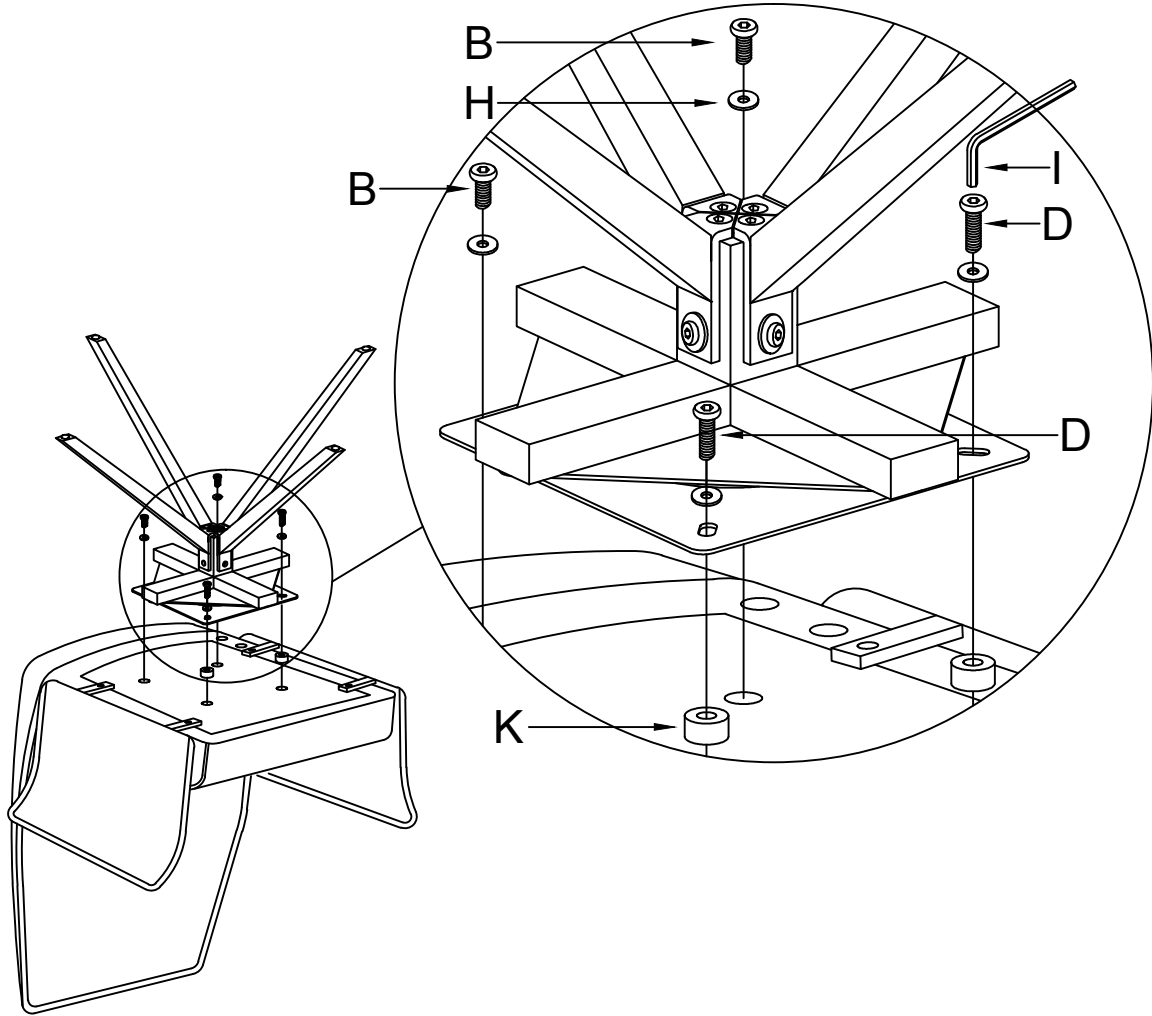
E		M6x12
		4x
I		4MM
		1x

4



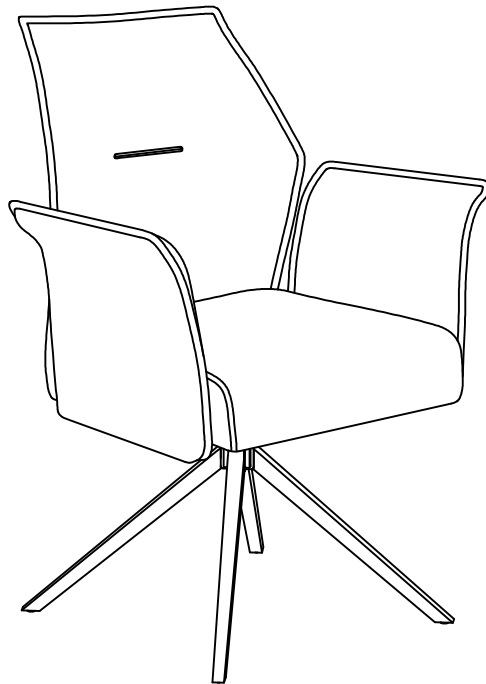
C		M6x25
		4x
G		M6
		4x
H		Ø18xØ6x1.5
		4x
I		4MM
		1x

5



B	M6X20		2x
D	M6X30		2x
H	Ø18xØ6x1.5		4x
I	4MM		1x
K	Ø18xØ8x10		2x
I	4MM		1x

6



LE TRI
+ FACILE



+



Séparez les éléments avant de trier