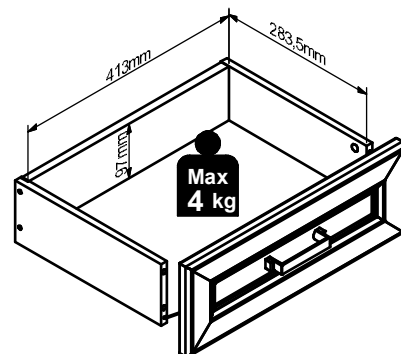
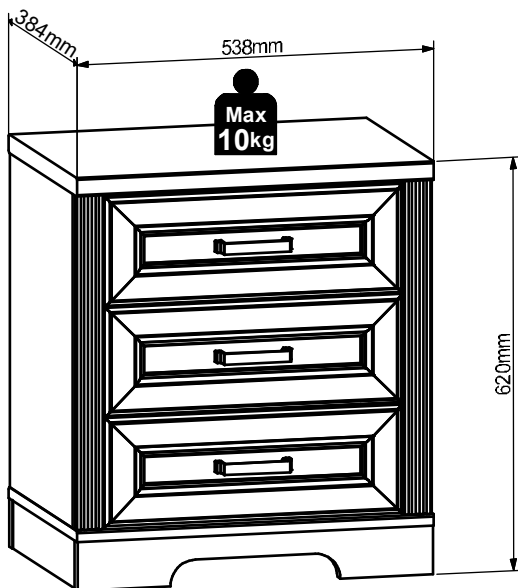
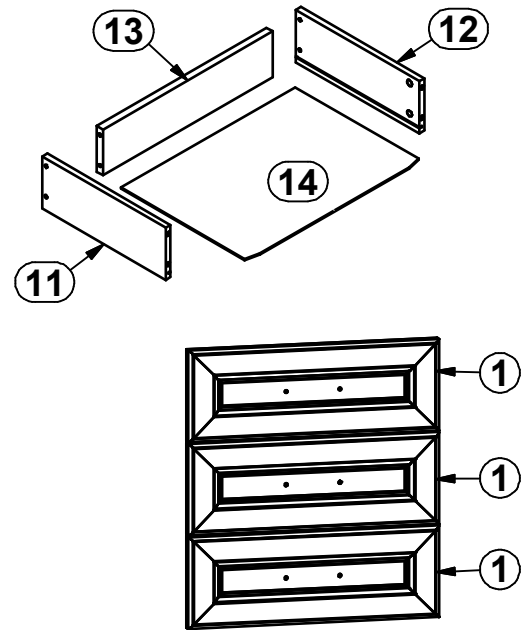
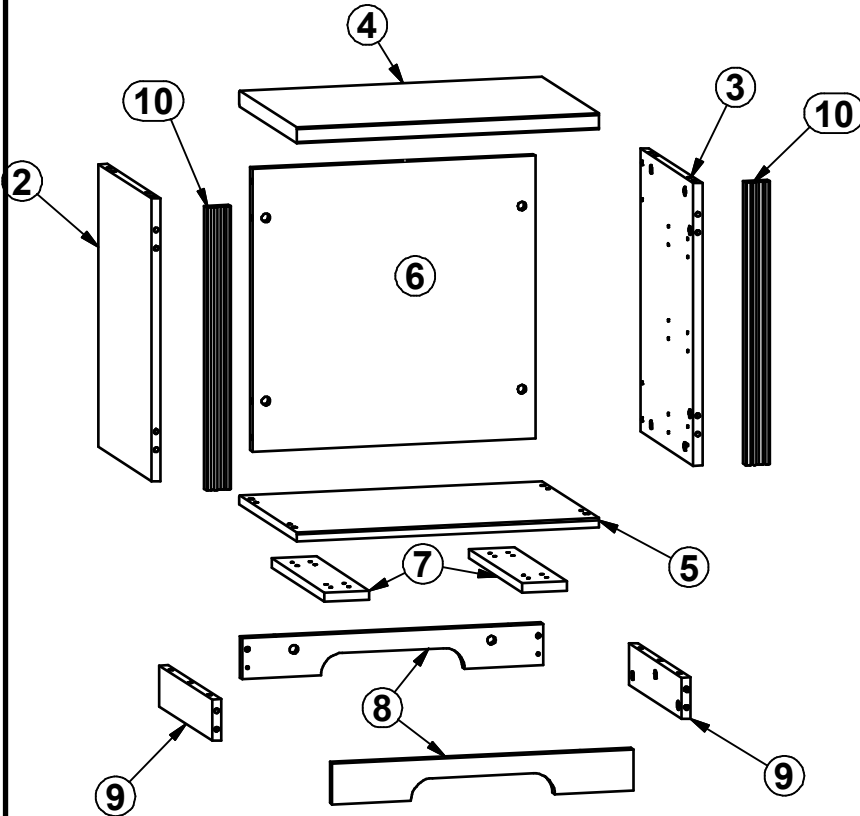
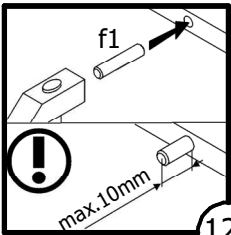


A	B	C1	C2	C3	D
1	S530-0006	446	160	22	1/1
2	S530-1016	494	353	16	1/1
3	S530-1017	494	353	16	1/1
4	S530-2005	538	384	28	1/1
5	S530-2006	538	384	16	1/1
6	S530-4003	494	504	16	1/1
7	S530-4004	350	80	16	1/1
8	S530-4107	536	72	16	1/1
9	S530-4108	351	72	16	1/1
10	S530-5005	494	43	19	1/1
11	ZQ6-517	300	110	12	1/1
12	ZQ6-518	300	110	12	1/1
13	ZQ6-5237	413	97	15	1/1
14	WSP-9401	423	308	2,5	1/1

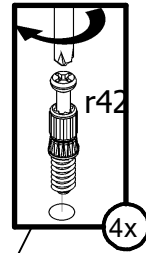




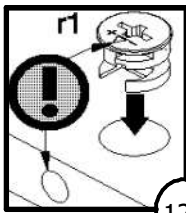
1



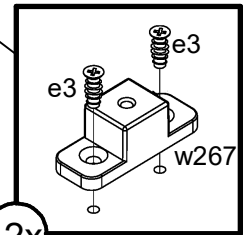
12x



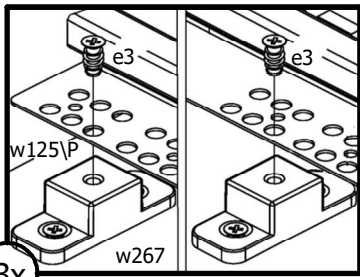
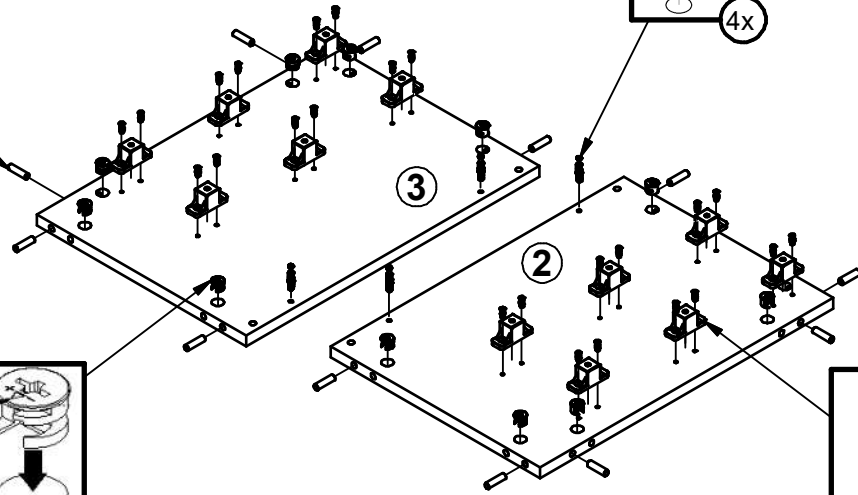
4x



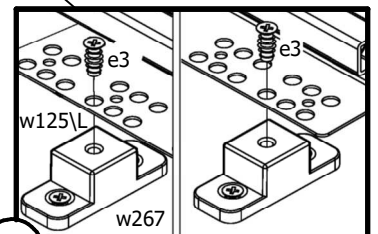
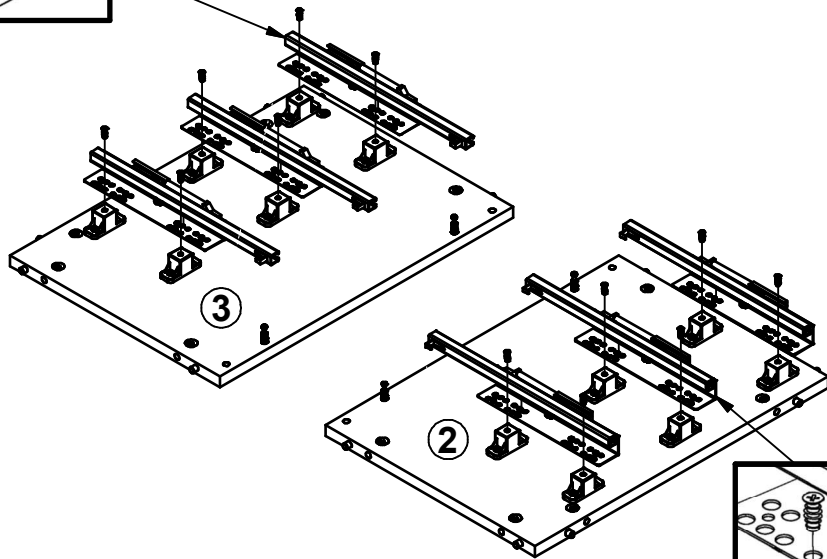
12x



12x

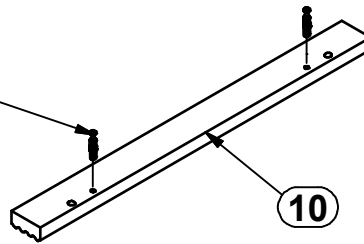
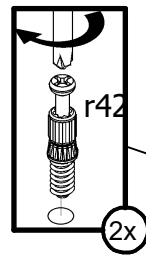


3x



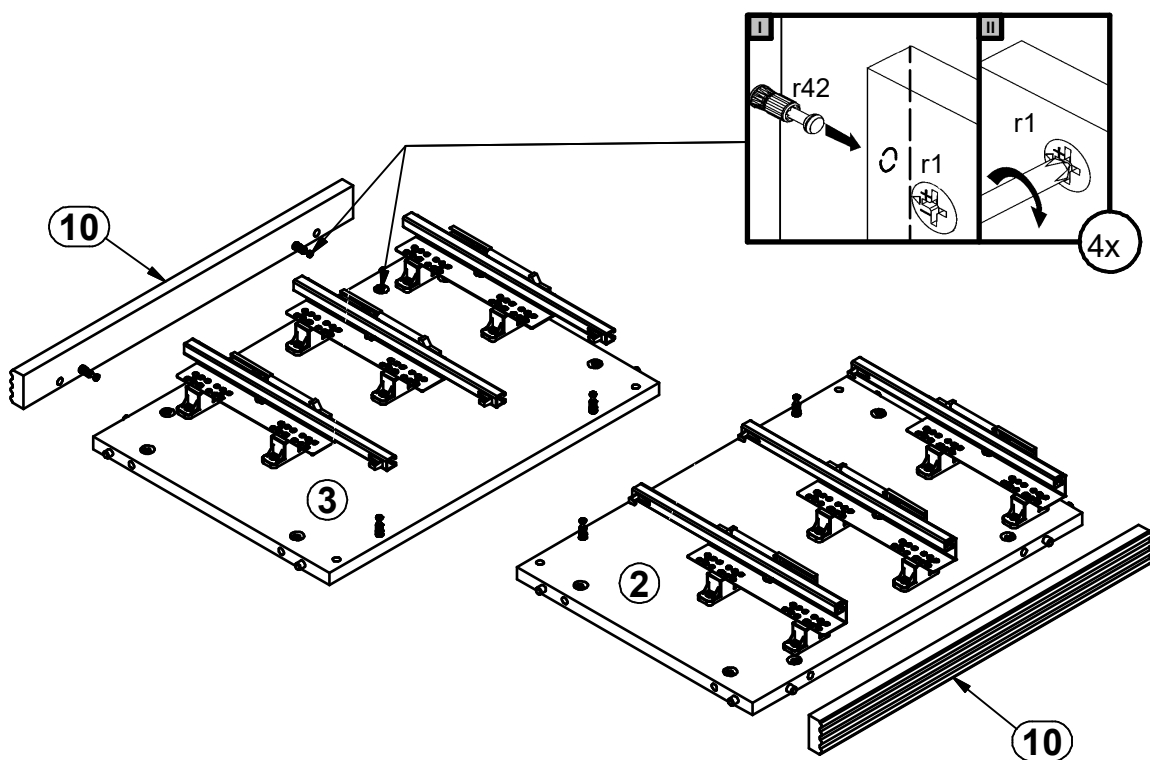
3x

2

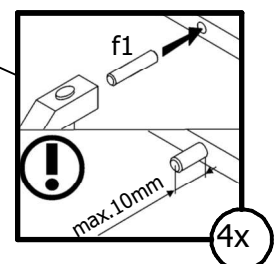
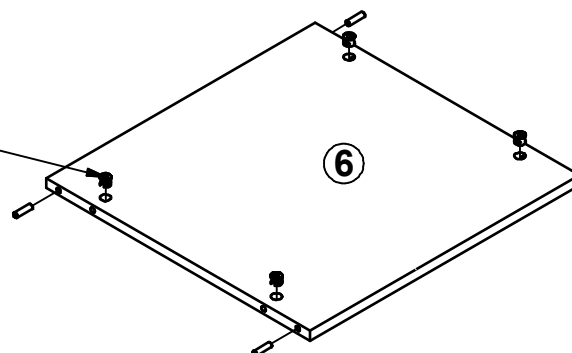
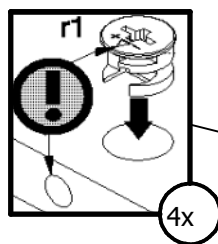


3

2x

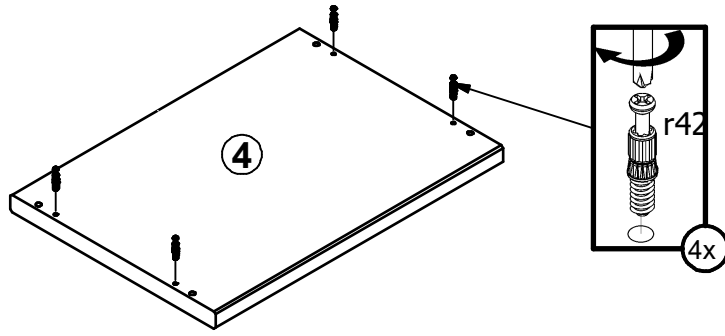


4

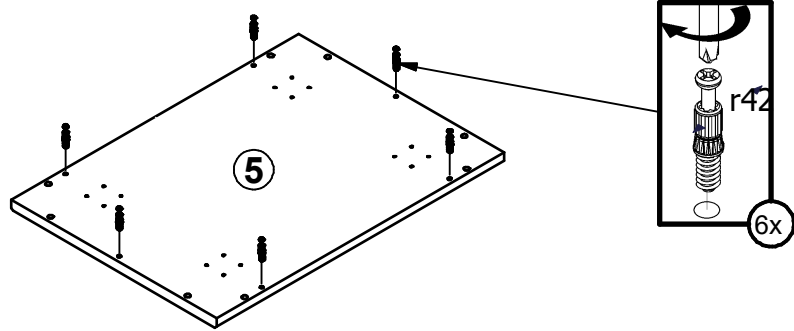


5

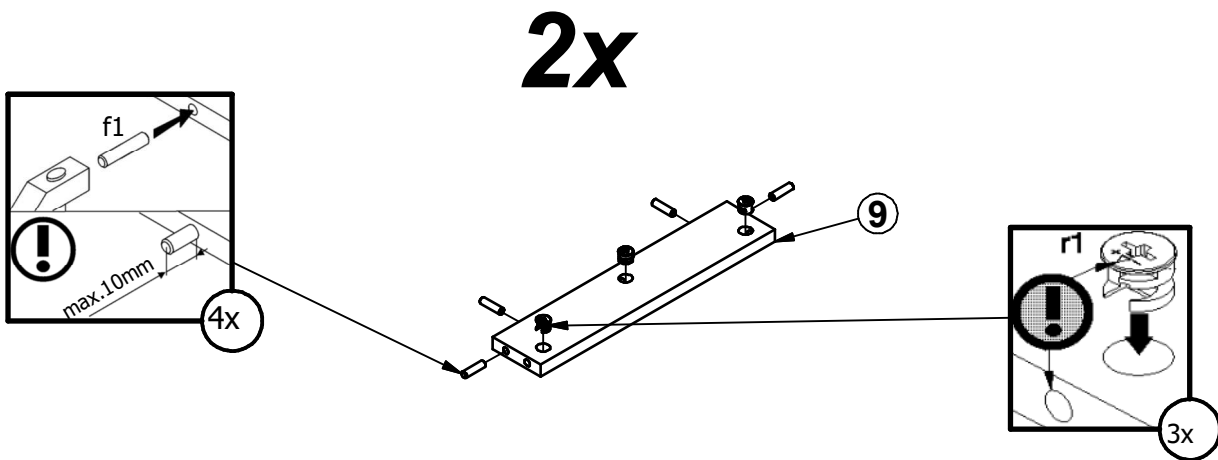
6



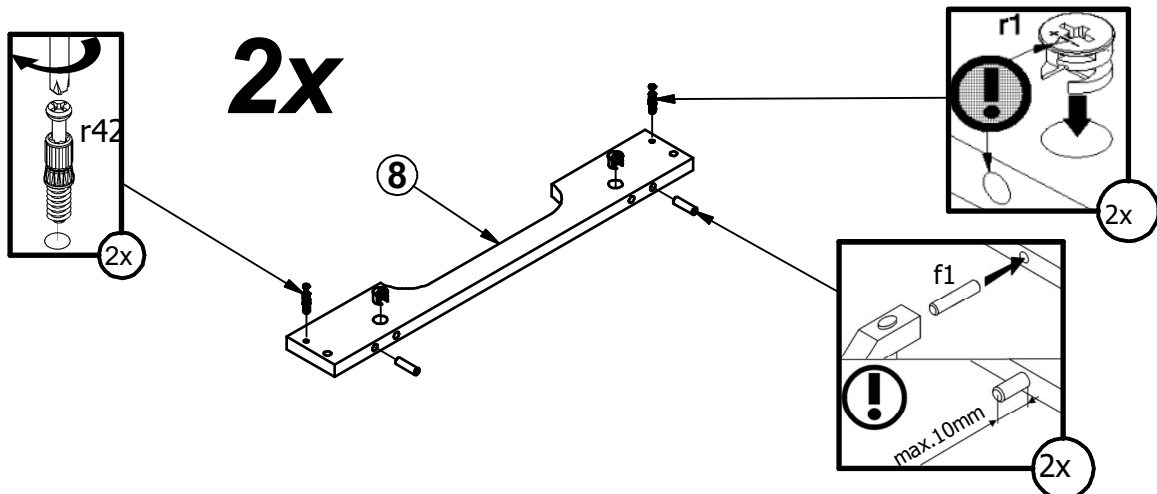
7



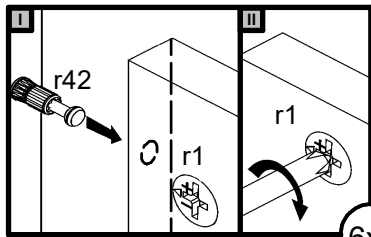
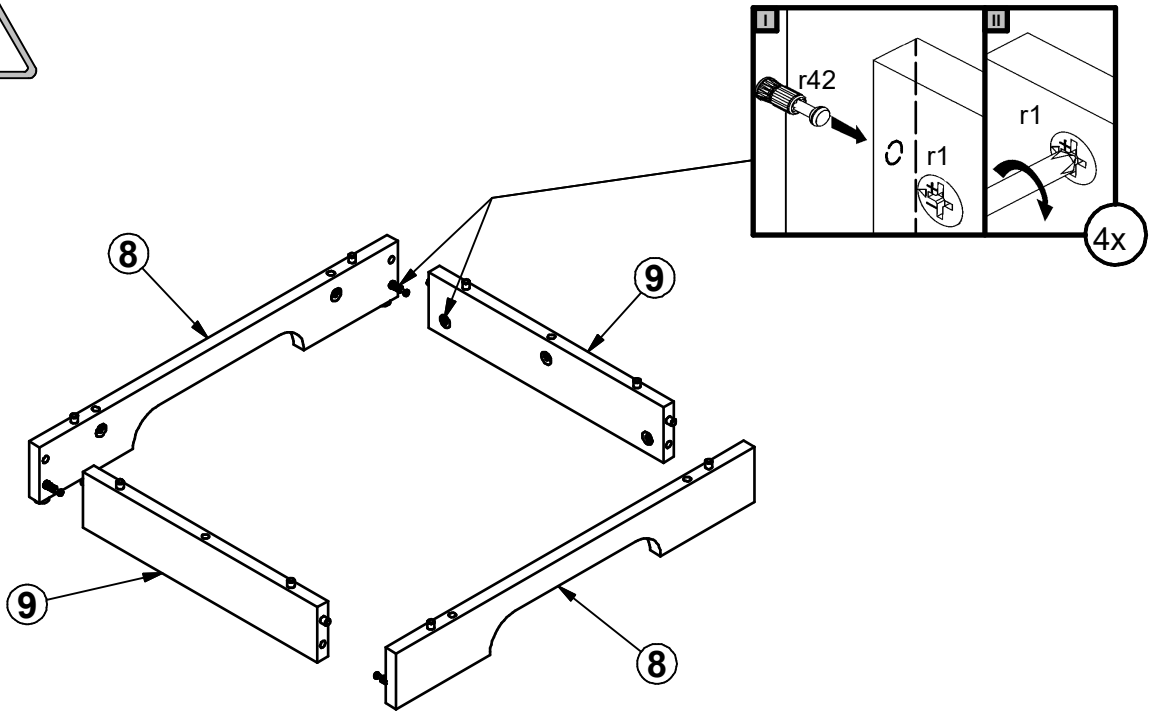
8



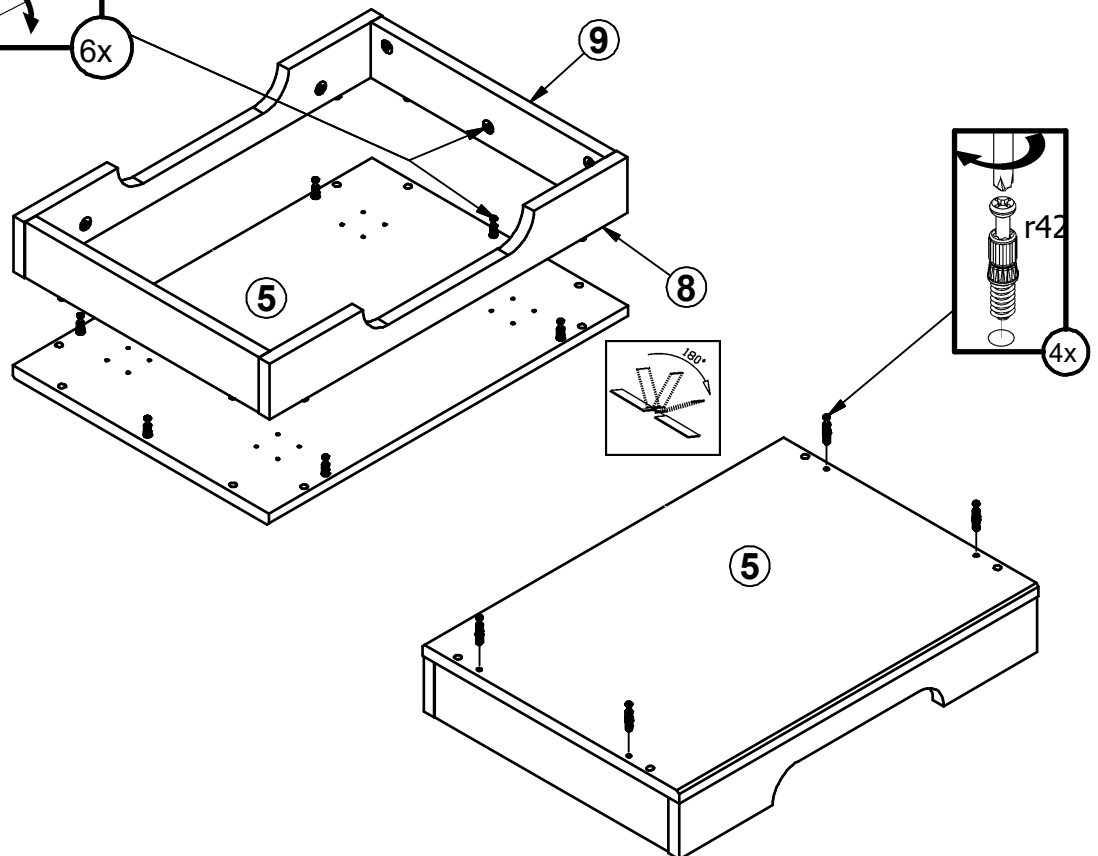
9



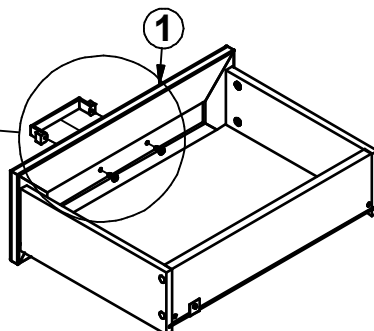
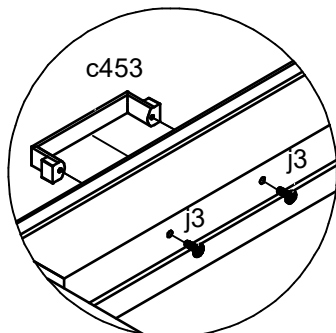
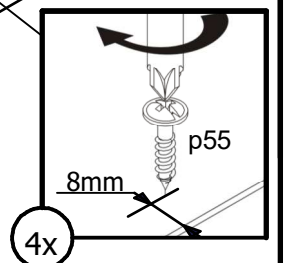
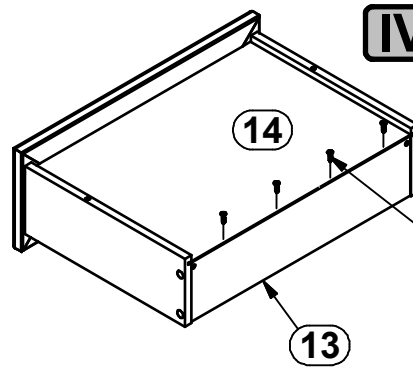
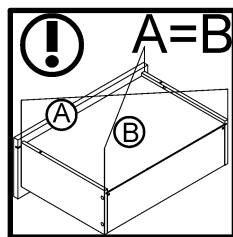
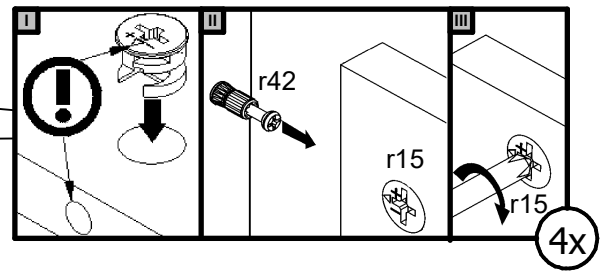
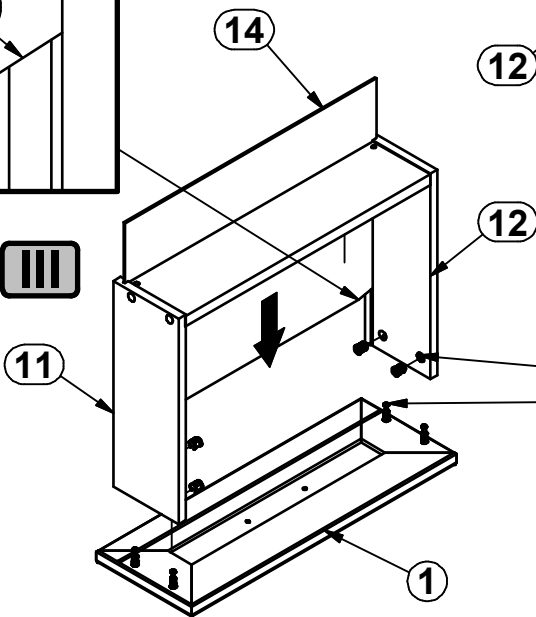
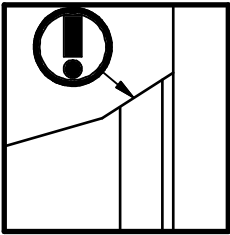
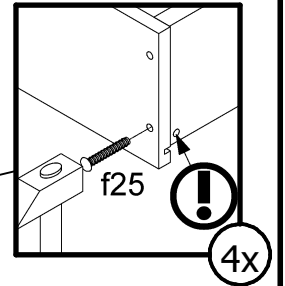
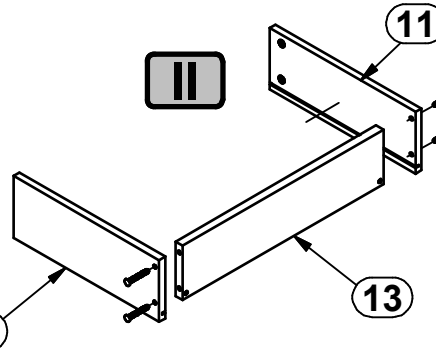
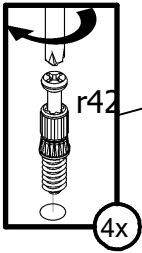
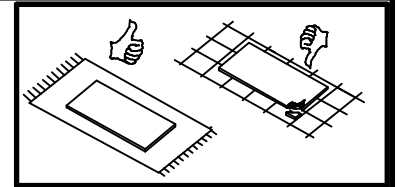
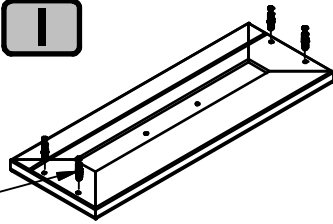
10



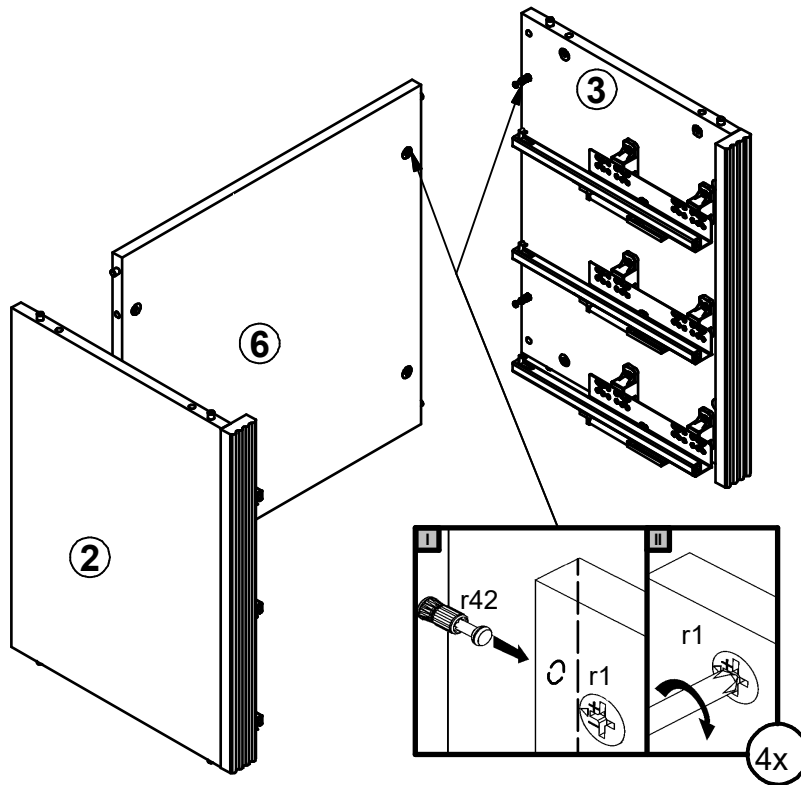
11



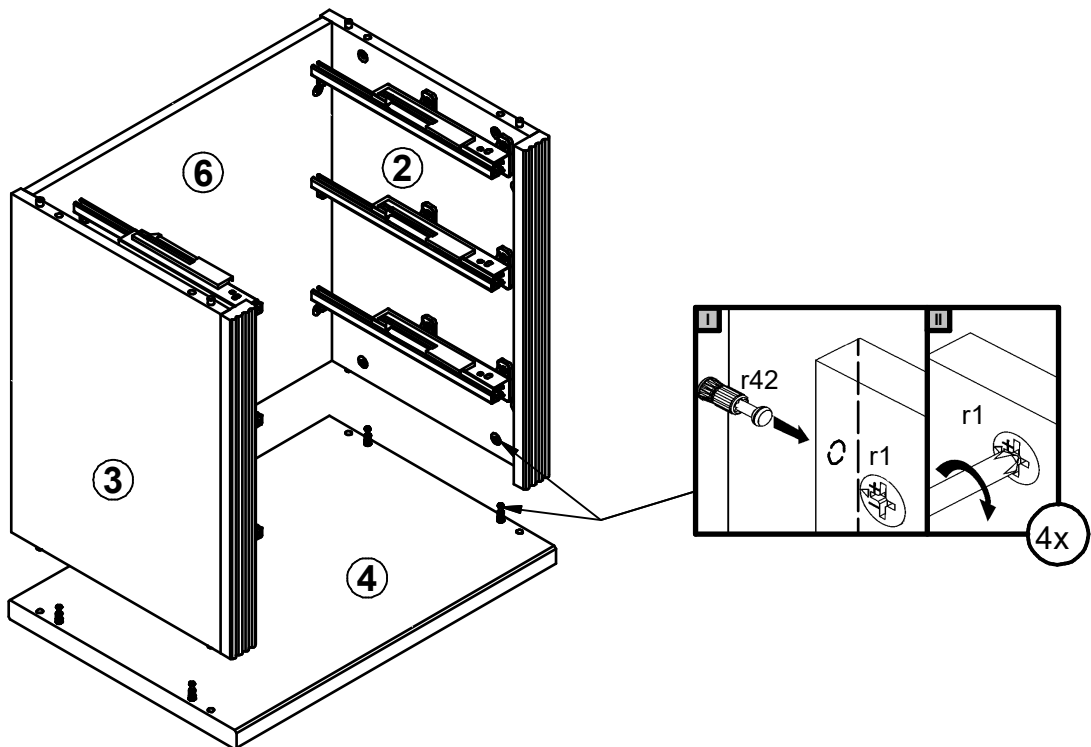
12 3x



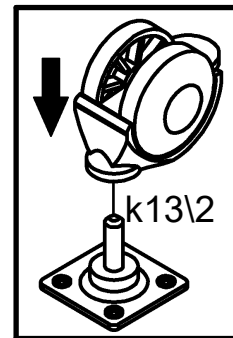
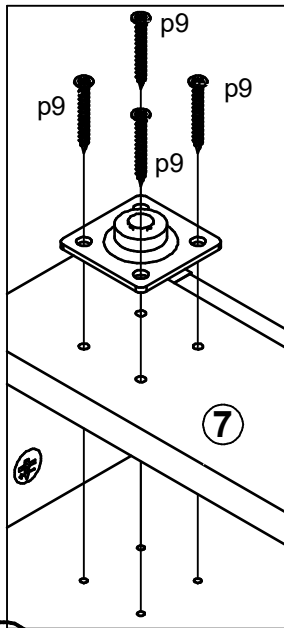
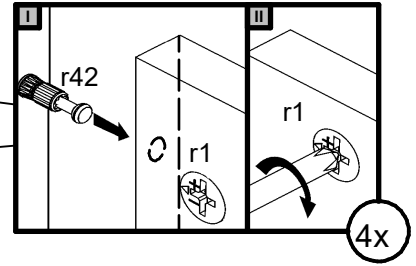
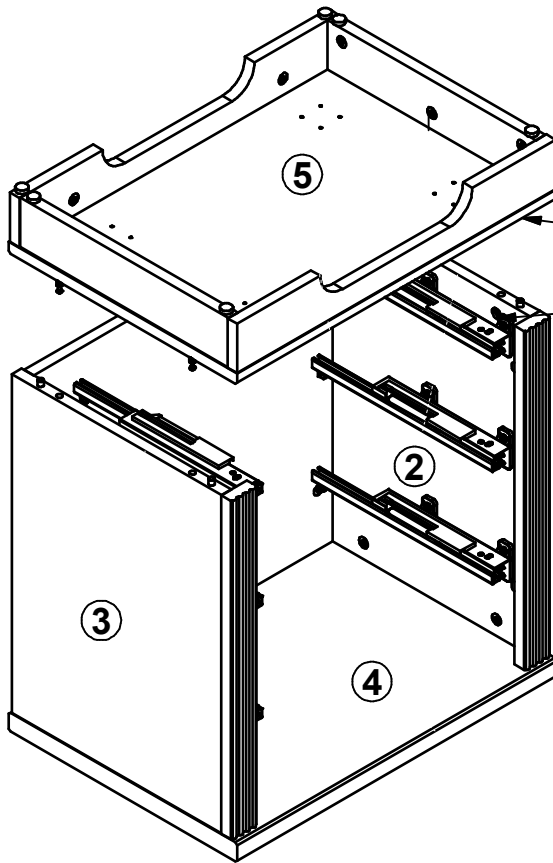
13



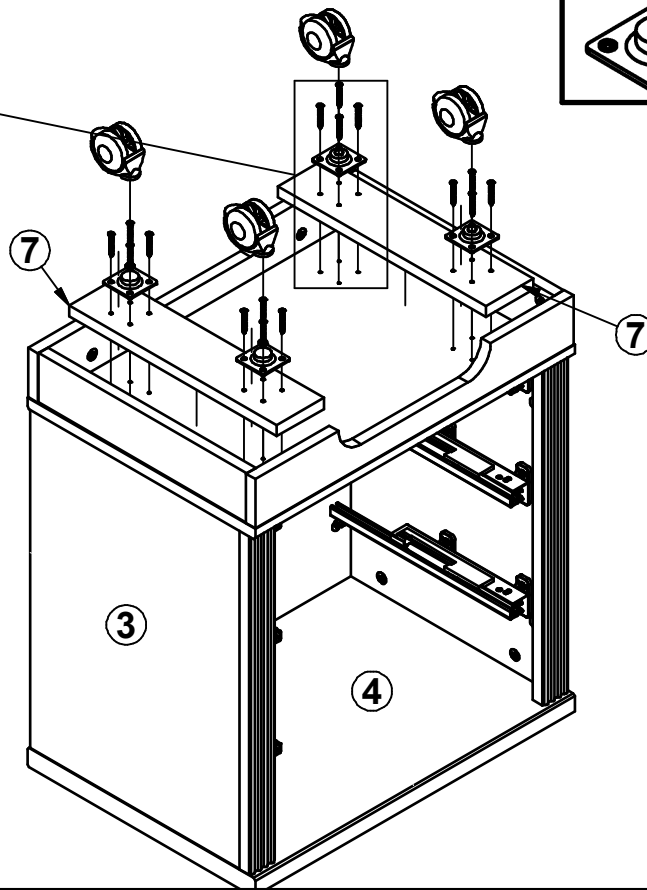
14



15



16



17

