

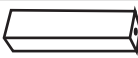





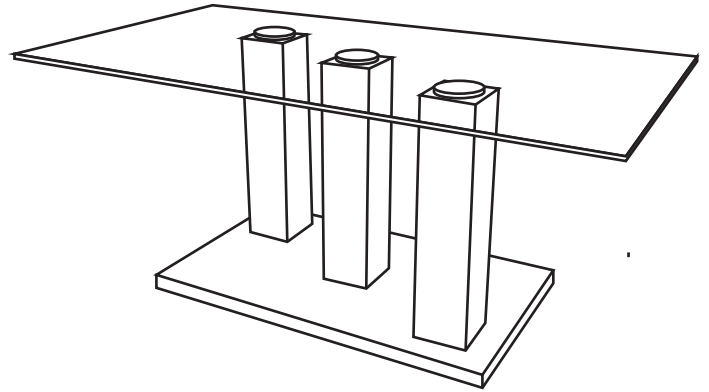


ASSEMBLY INSTRUCTION

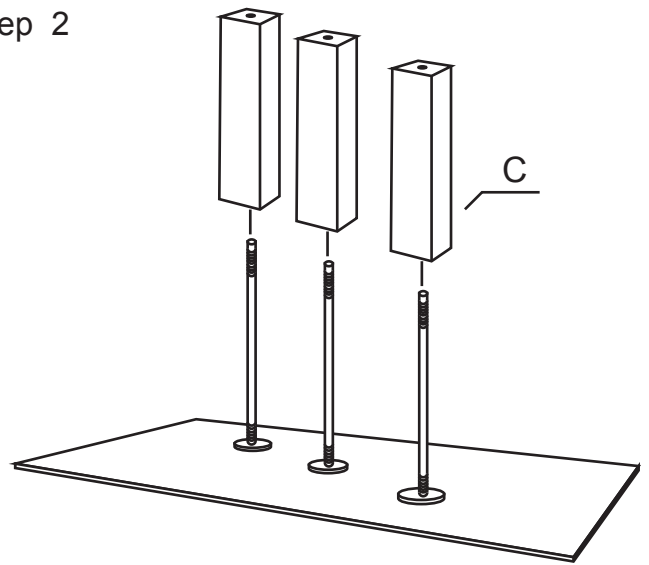
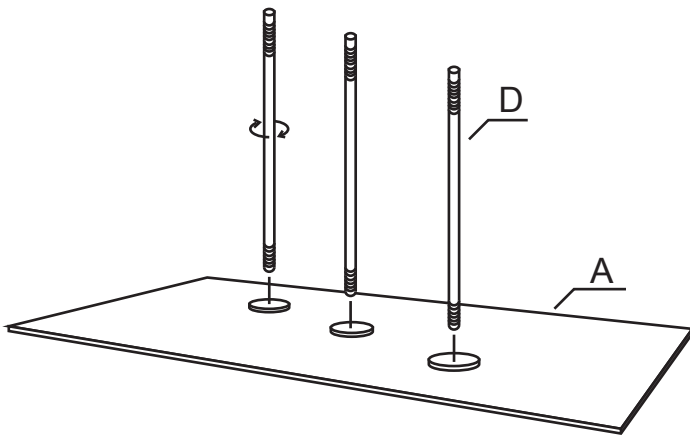
Item NO: Towers

HARDWARE LIST			
NO.	PART	DESCRIPTION	Q'TY
A		glass top	1
B		MDF bottom	1
C		stainless tube	3
D		rod	3
E		feet	4
F		screw nut	3
G		metal gasket	3
H		hexagon spanner	1



step 1

step 2



step 3

step 4

