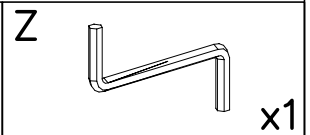
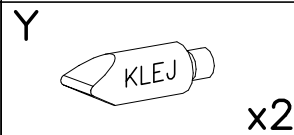
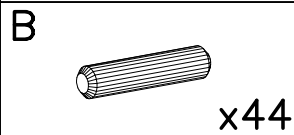
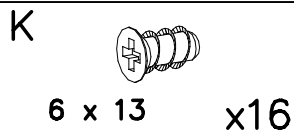
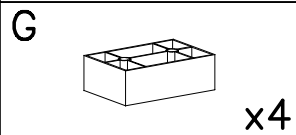
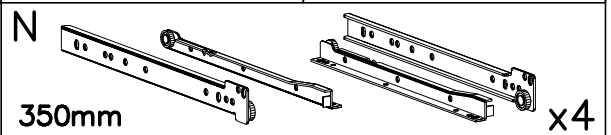
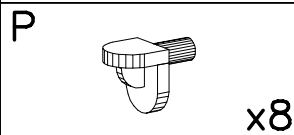
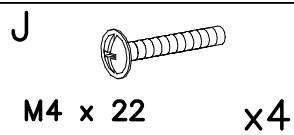
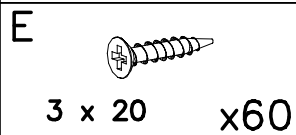
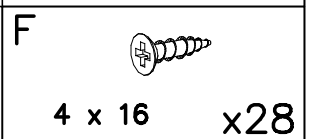
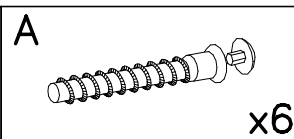
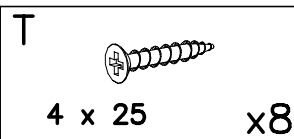
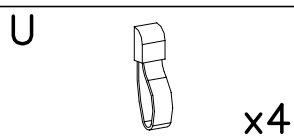
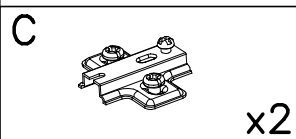
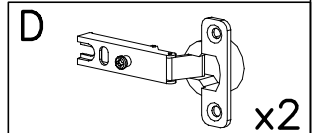
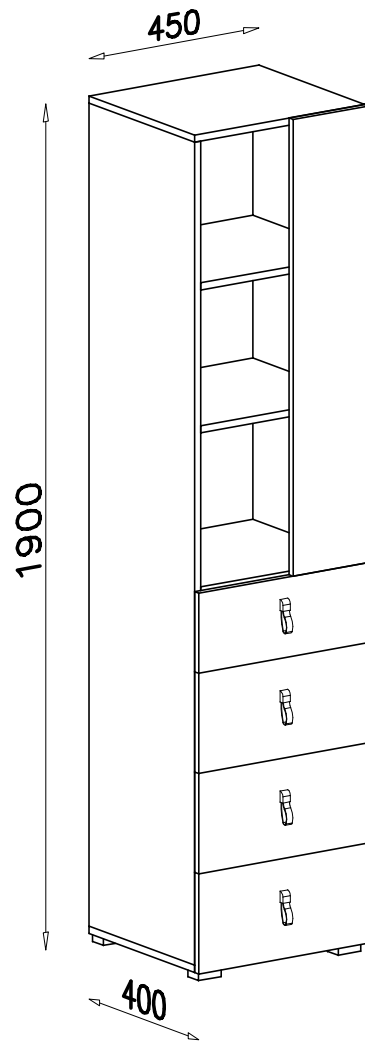
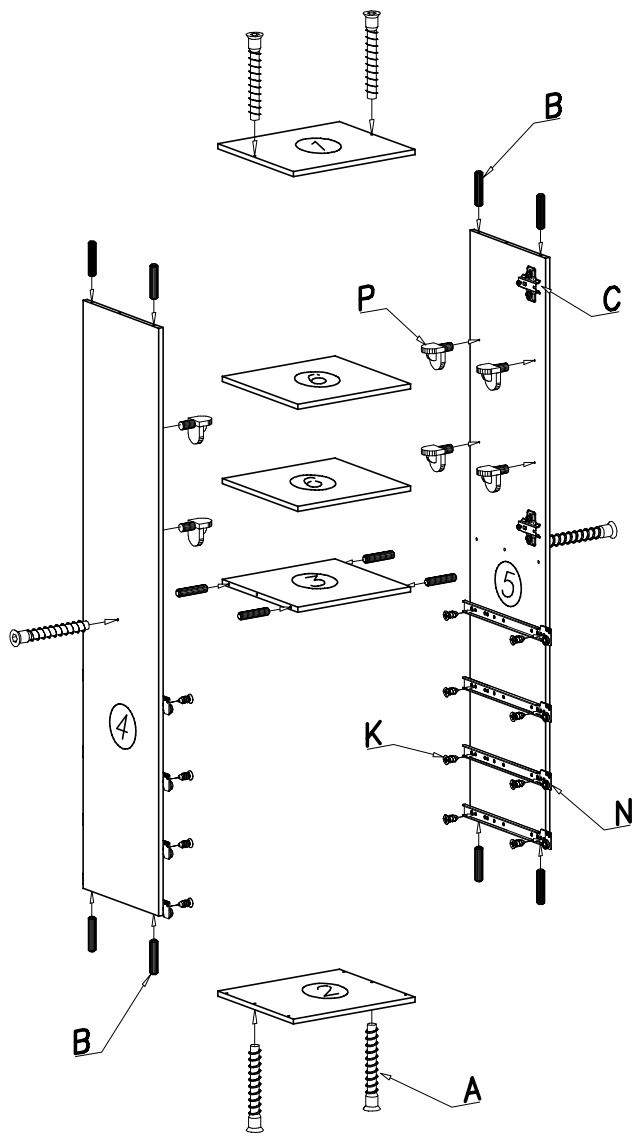


system  
KOMI

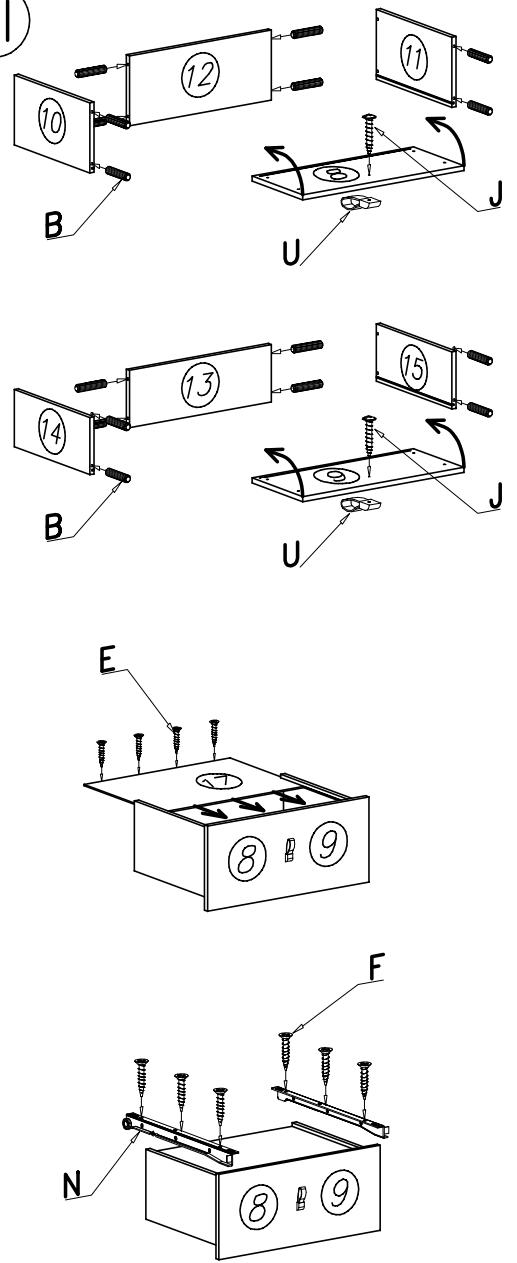
KM 6



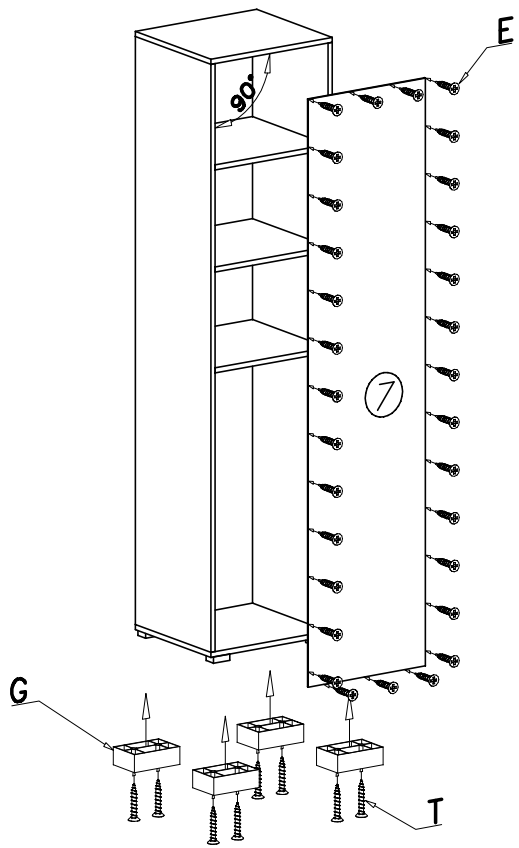
I



III



II



IV

