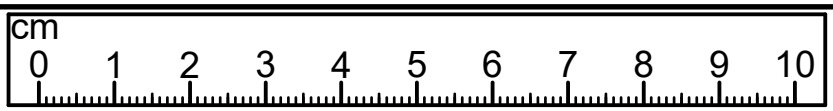
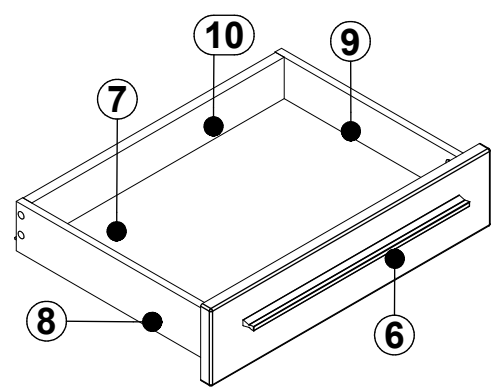
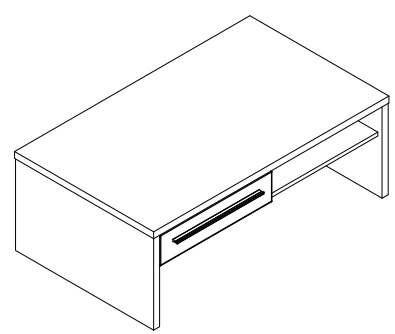


| A | B | C (mm) | | D |
|----|-----------|--------|-----|-----|
| 1 | S274-1015 | 372 | 646 | 1/2 |
| 2 | S274-1016 | 114 | 606 | 1/2 |
| 3 | S274-1017 | 114 | 512 | 1/2 |
| 4 | S274-3012 | 1040 | 606 | 2/2 |
| 5 | S274-2011 | 1100 | 650 | 2/2 |
| 6 | S274-0010 | 125 | 524 | 1/2 |
| 7 | WSP-9117 | 481 | 358 | 1/2 |
| 8 | WSQ1-505 | 350 | 80 | 1/2 |
| 9 | WSQ1-506 | 350 | 80 | 1/2 |
| 10 | WTQ-5240 | 472 | 67 | 1/2 |

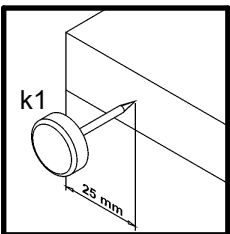
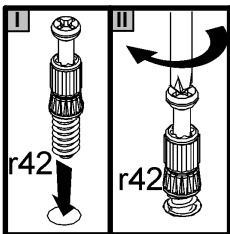
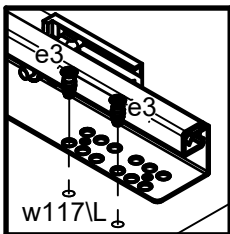


| | | | | | | | | | | | | |
|------------------------------|----------------------|-----------------------|-----------------------|-------------------------|----------------------|-------------------------|-------------------------|-------------------------|-------------------------|-----------------------|---------------------------|---------------------------|
| 2x 404mm c365\5 | 3x Ø7x50 mm e1 | 16x Ø6x13 mm e3 | 20x Ø8x30 mm f1 | 8x Ø6.5x40 mm f25 | 4x Ø8x13 mm k1 | 2x Ø3.5x16 mm p25 | 2x Ø3.5x10 mm p35 | 8x Ø3.5x16 mm p38 | 4x Ø2.9x16 mm p55 | 6x Ø4x25 mm p87 | 9x Ø15x12 mm #16 r1 | 6x Ø15x19 mm #28 r9 |
| 8x Ø12x10.5 mm #12 r15 | 23x 20/11 r42 | 2x Ø16 s2 | 2x 350 mm t35 | 2x 350 mm W117\L | 2x 350 mm W117\P | 1x z1 | | | | | | |

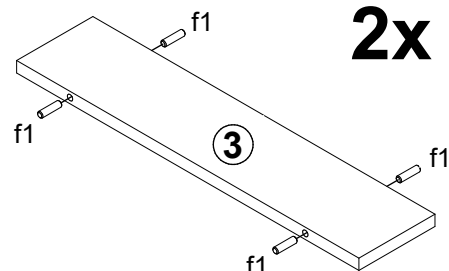
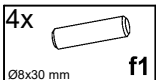
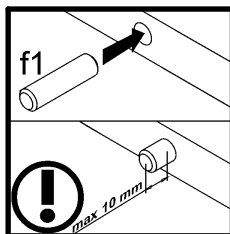
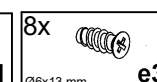
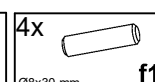
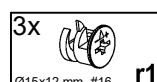
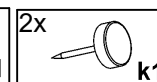
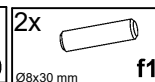
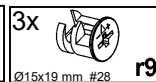
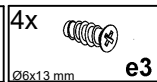
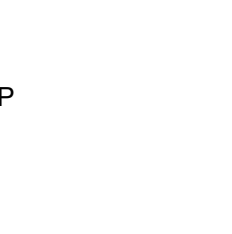
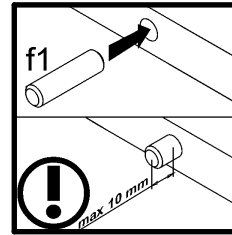
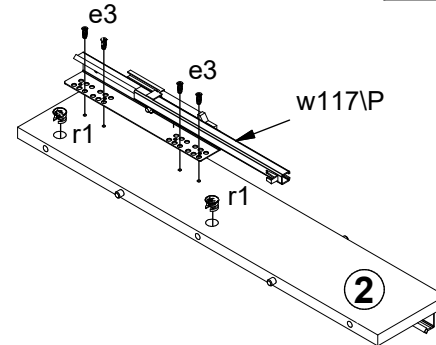
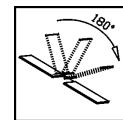
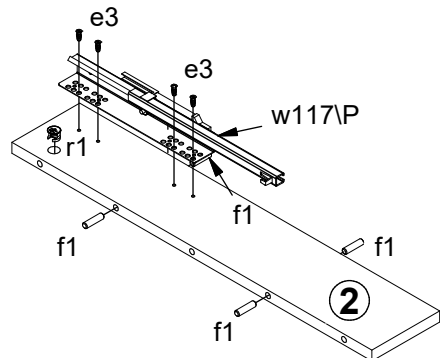
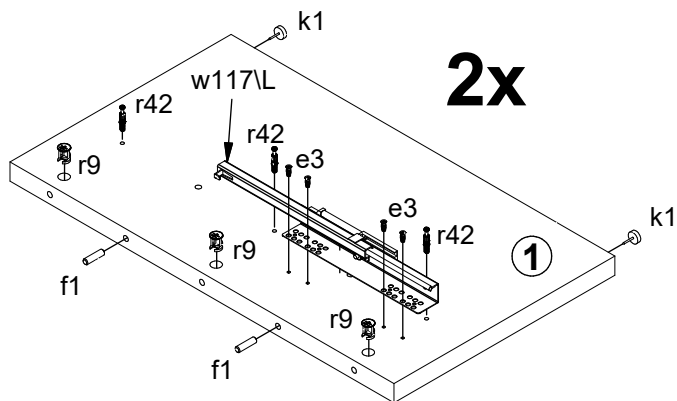
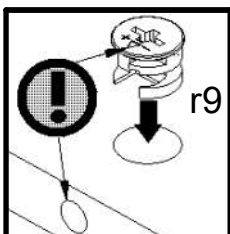
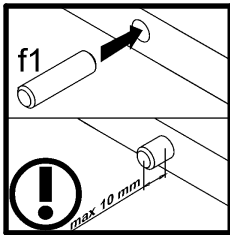
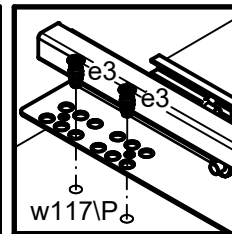
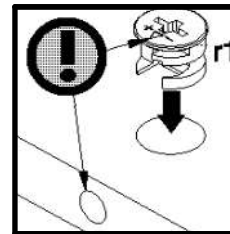
A

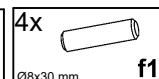
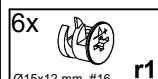
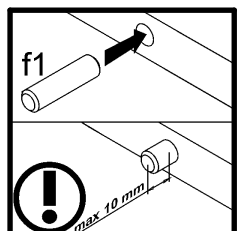
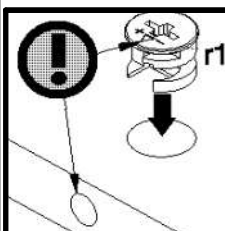
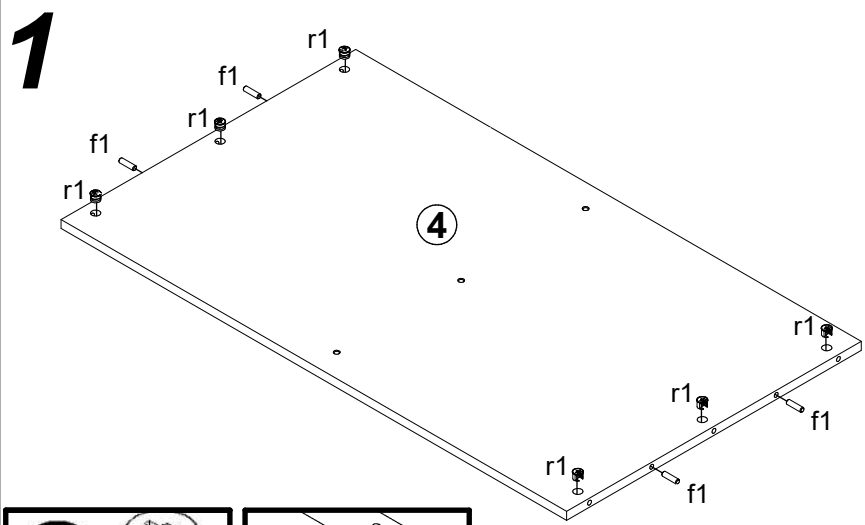
S274-LAW2S/4/11

29E7--02 29F7--02 29E8--02

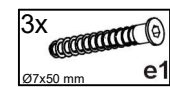
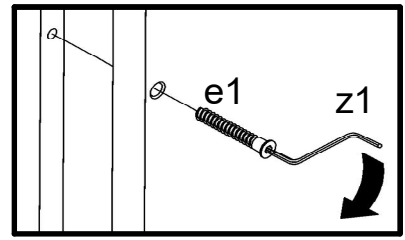
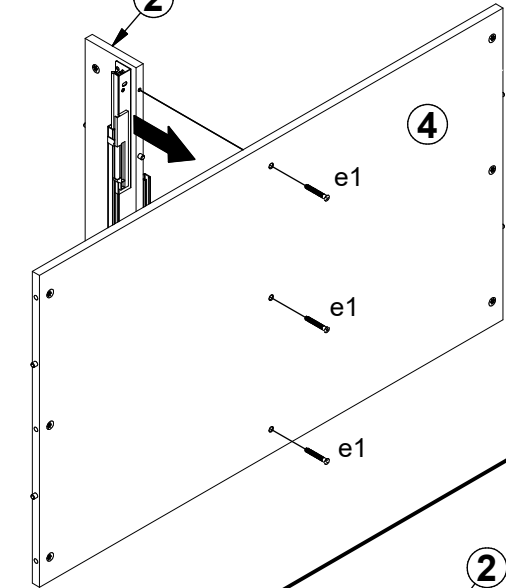


1

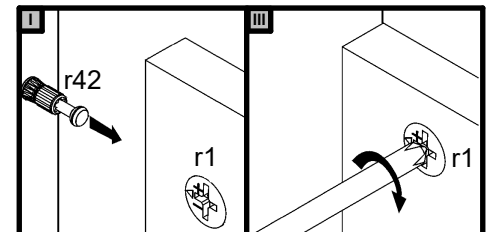
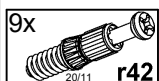
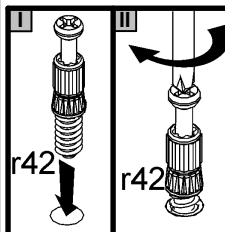
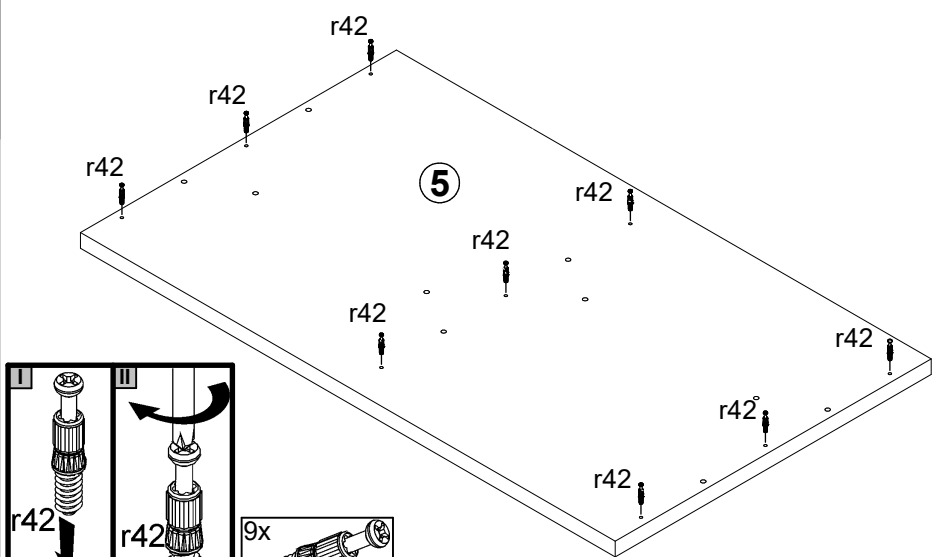
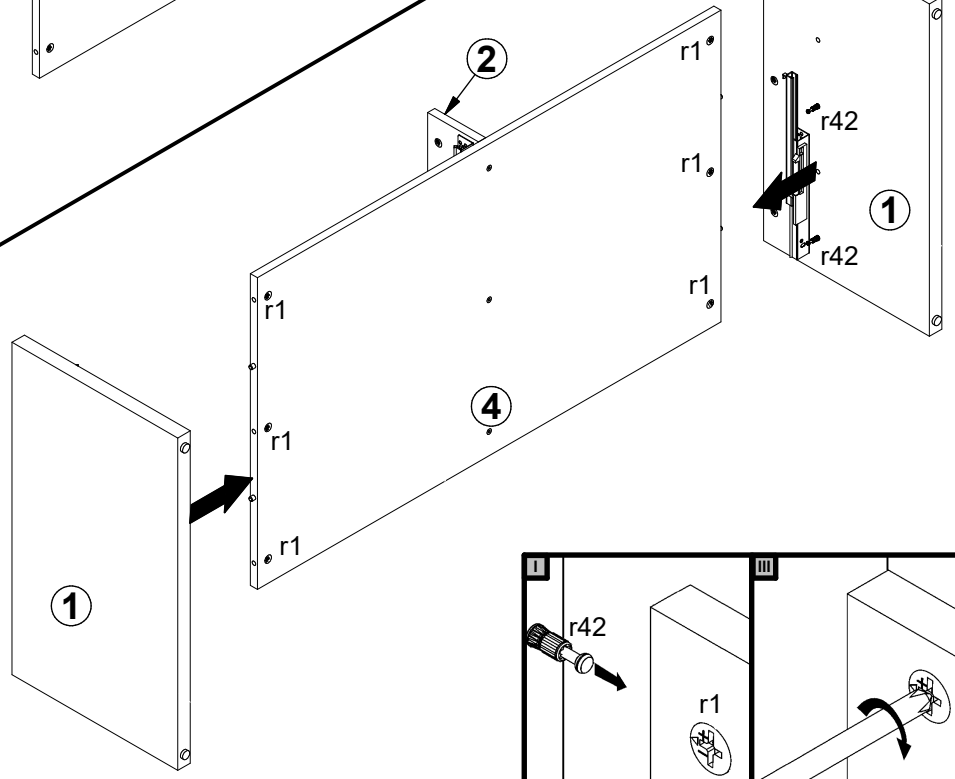




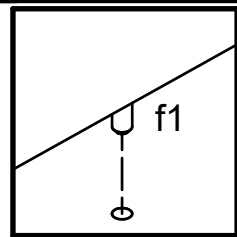
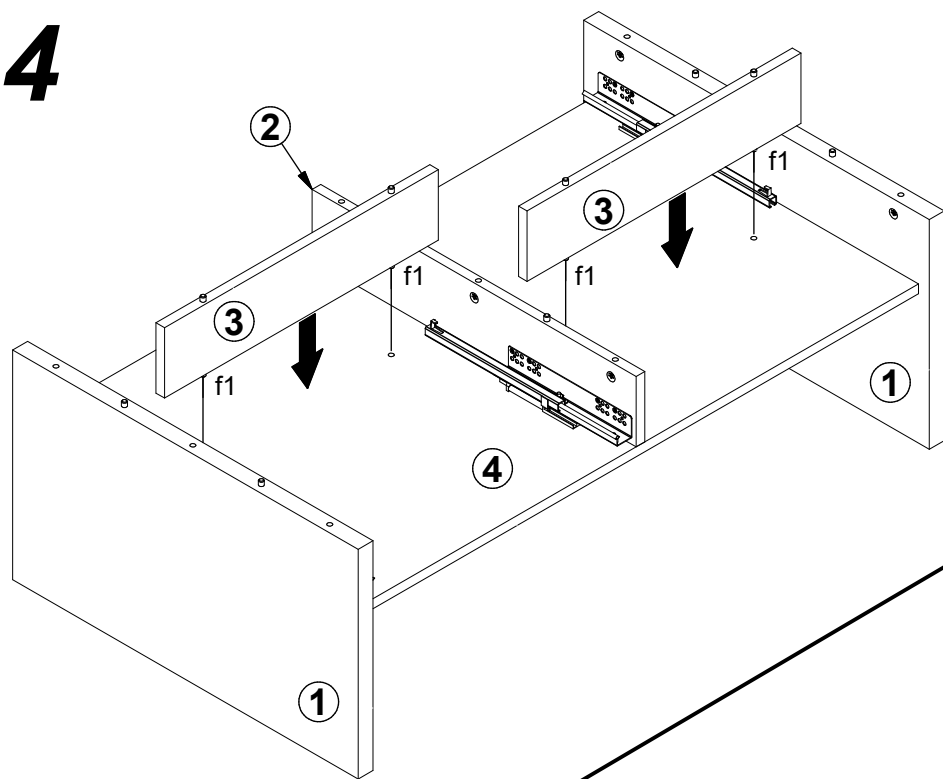
2



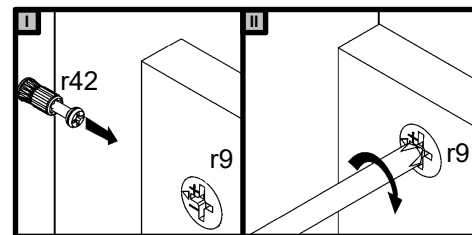
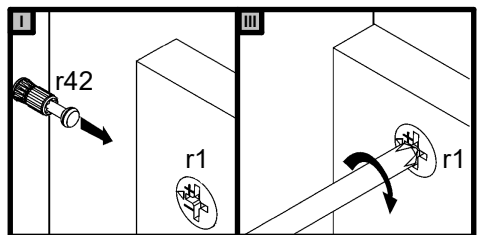
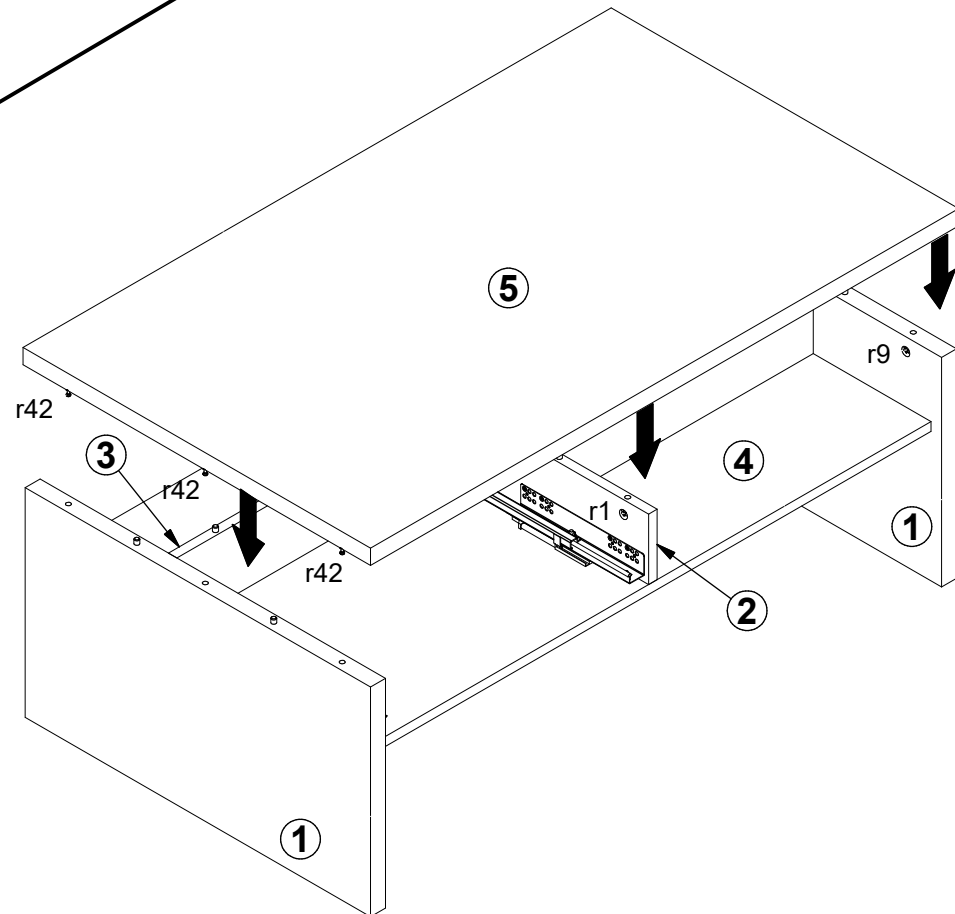
3



4



5



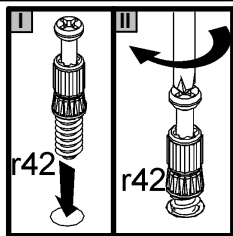
A

S274-LAW2S/4/11

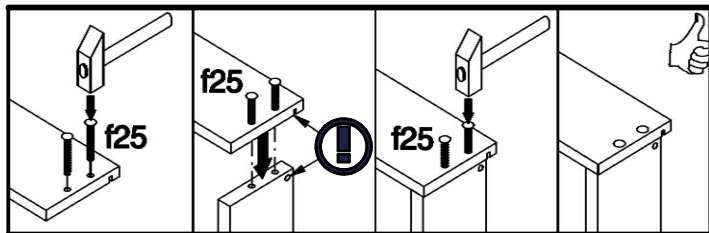
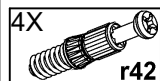
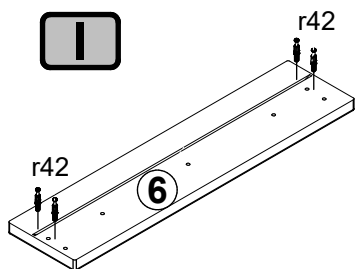
29E7--02 29F7--02 29E8--02

6 / 7

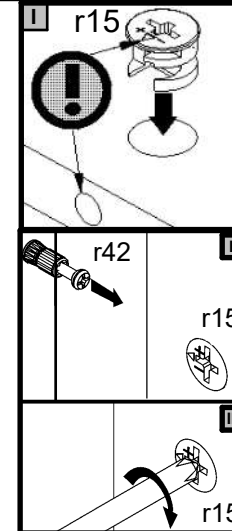
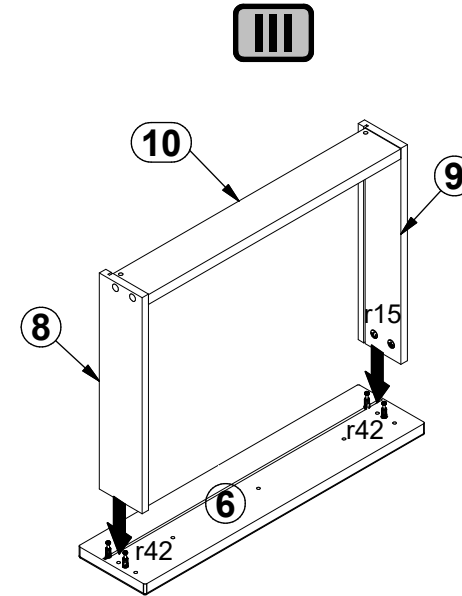
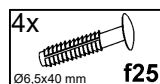
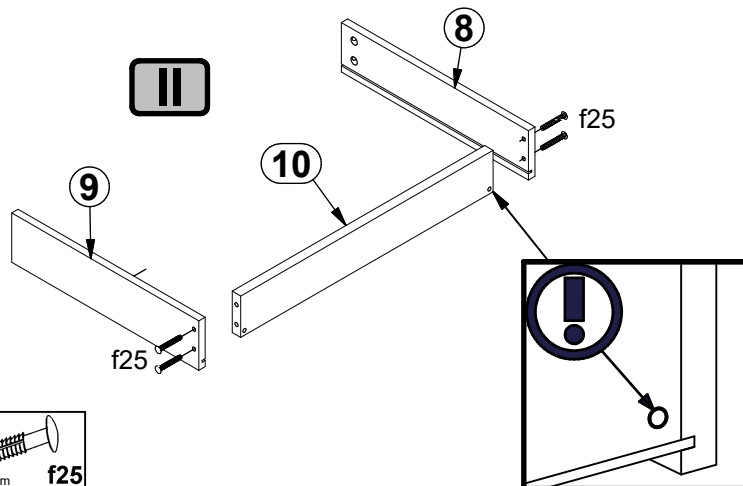
6



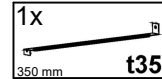
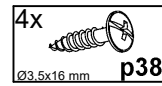
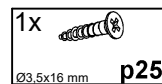
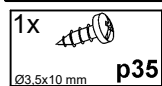
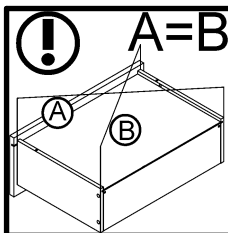
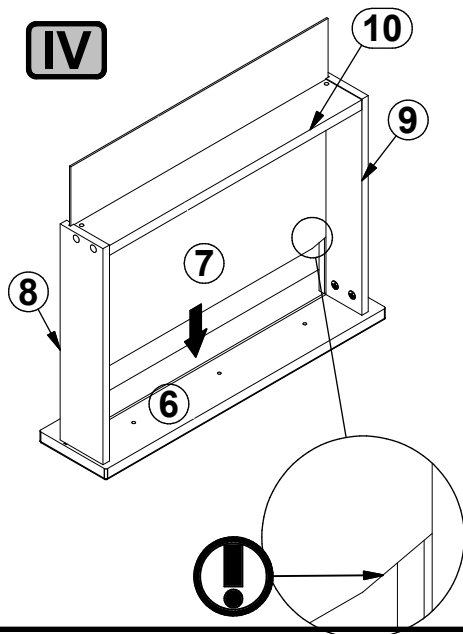
I



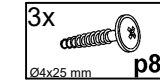
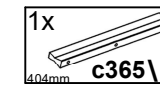
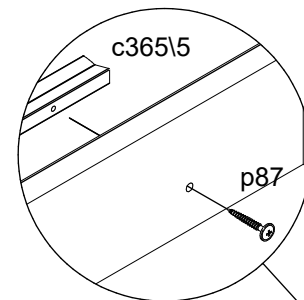
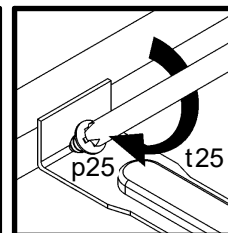
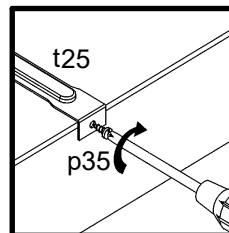
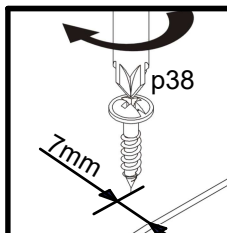
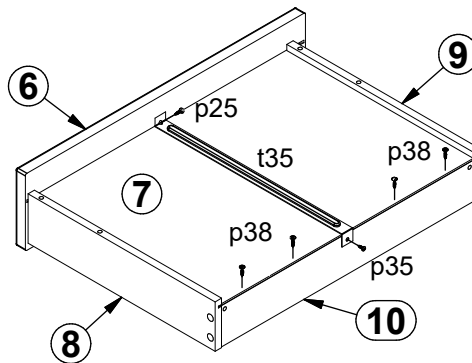
II



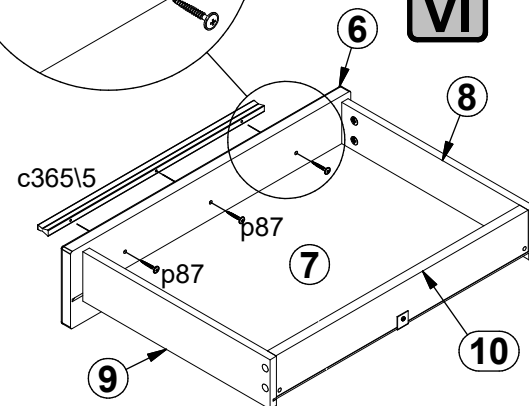
IV



V



VI



7

