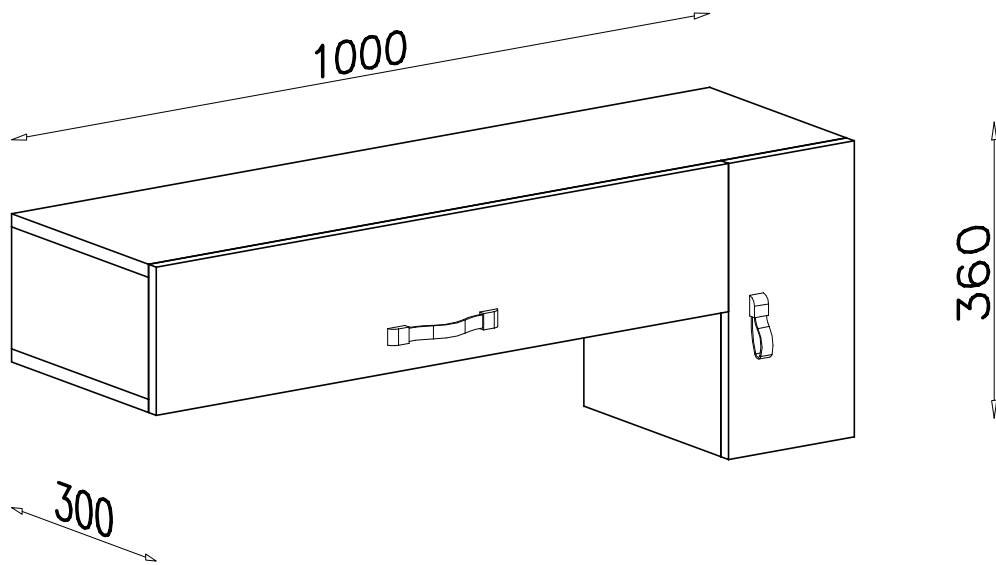
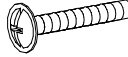

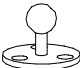
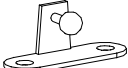
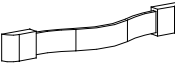
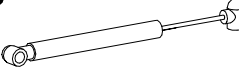
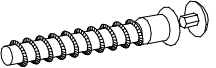
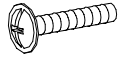


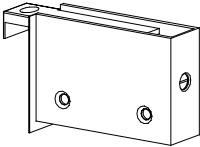

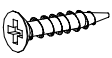
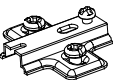

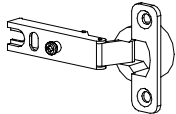
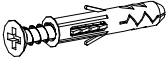
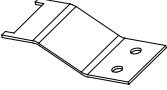


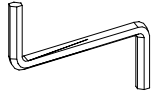


system
KOMI

KM 11



| | | | | |
|---------------------------------------------------------------------------------------------------------------|-------------------------------------------------------------------------------------------------------|--------------------------------------------------------------------------------------------------------------|-----------------------------------------------------------------------------------------------------------------|------------------------------------------------------------------------------------------------------------------|
| | | |  M M4 x 22 x1 |  I 3,5 x 16 x7 |
|  R x1 |  S x1 |  L x1 |  P 80N x1 |  A x7 |
|  J M4 x 20 x2 |  U x1 |  T 4 x 30 x4 |  N x2 |  F 4 x 16 x8 |
|  E 3 x 20 x30 |  C x4 |  H x2 | |  D x4 |
|  G x4 |  K x2 |  B x14 |  Y KLEJ x1 |  Z x1 |