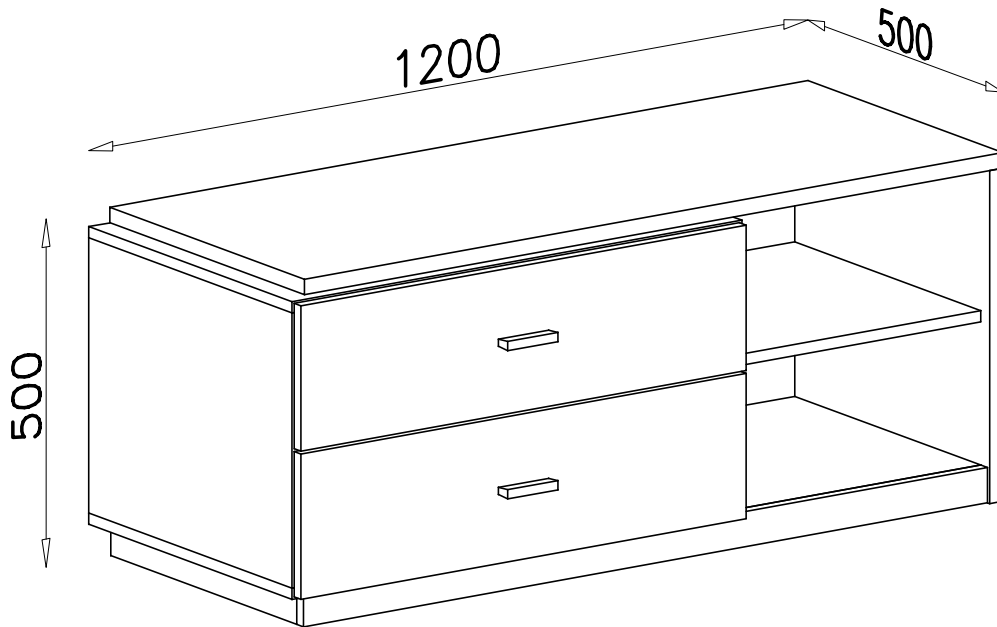
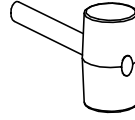
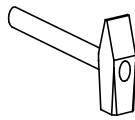
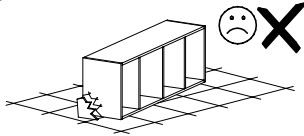
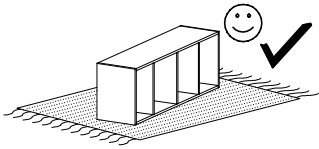

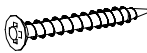
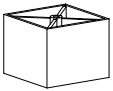

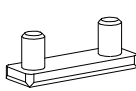
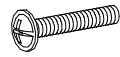
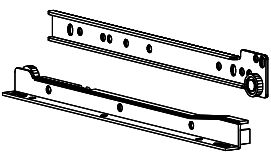
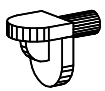
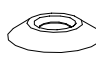
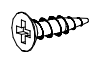




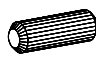
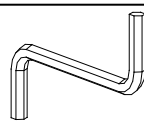

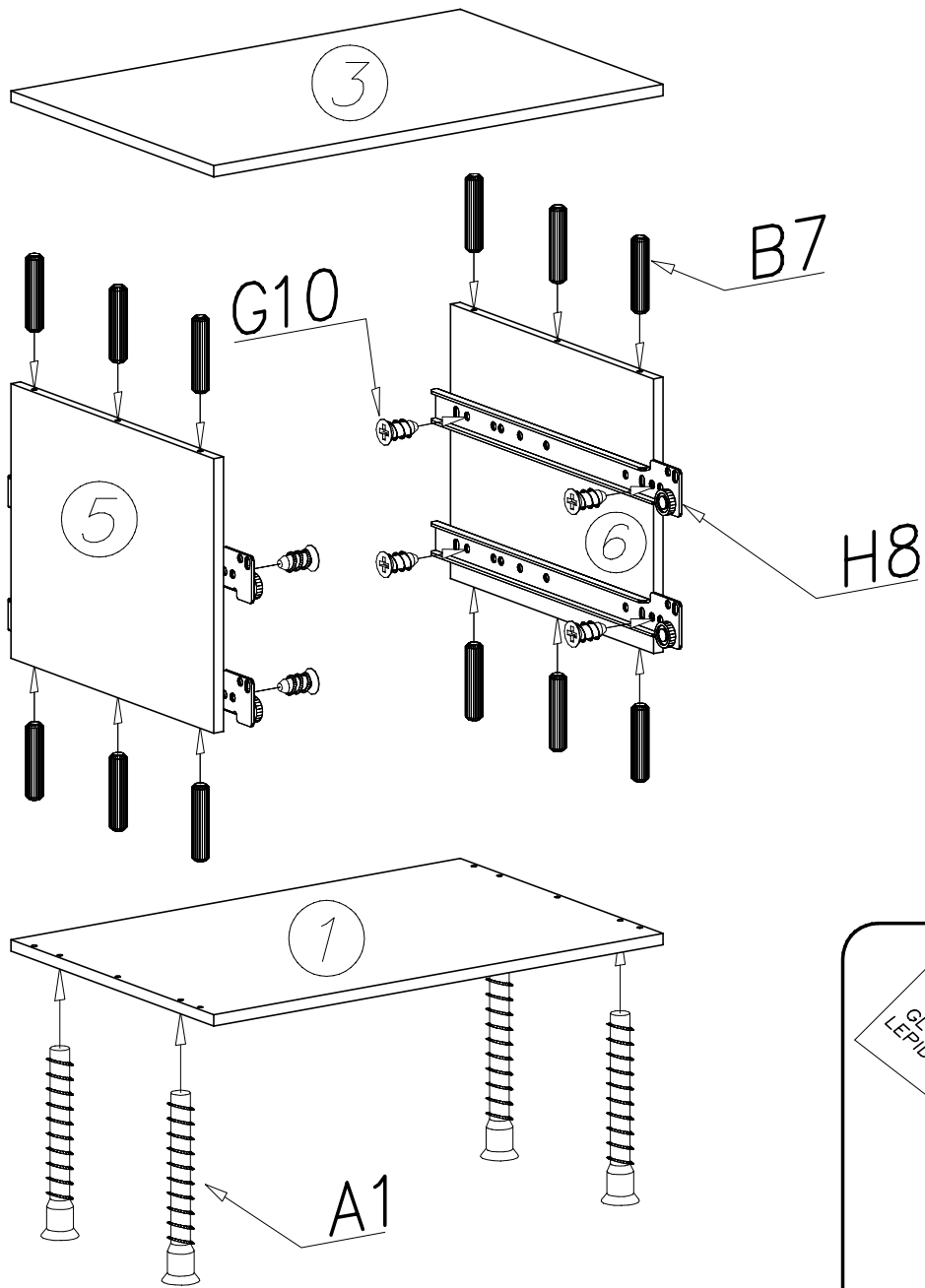


ETNA ET 8

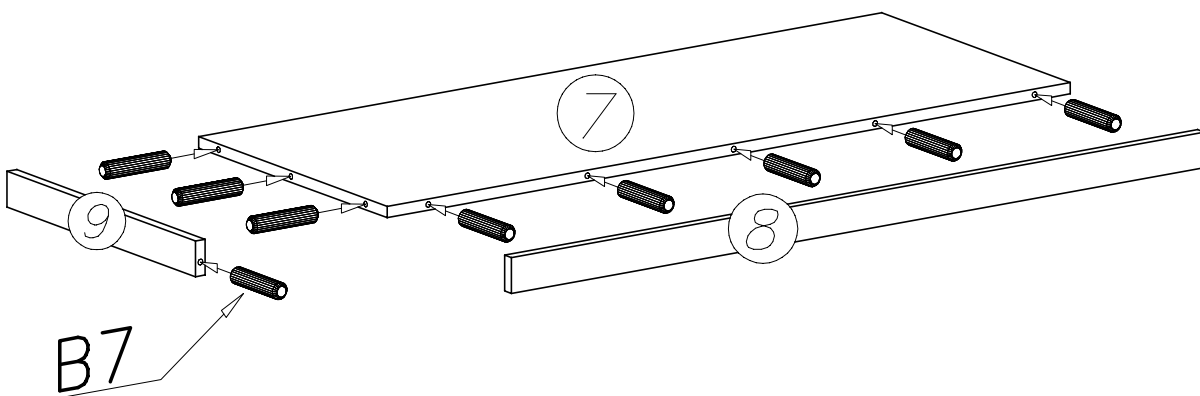


		A5  $\varnothing 7 \times 60$ x2	G23  4×40 x1	P29  x1
G10  6×13 x8	P3  x6	N14  $M4 \times 22$ x4	H8  400mm x2	F1  x4
S2  x3	G4  4×16 x12	G2  3×20 x40	W1  x3	
A1  $\varnothing 7 \times 50$ x6	B7  $\varnothing 8 \times 30$ x44	B8  $\varnothing 8 \times 20$ x6	W2  x1	E34  x2

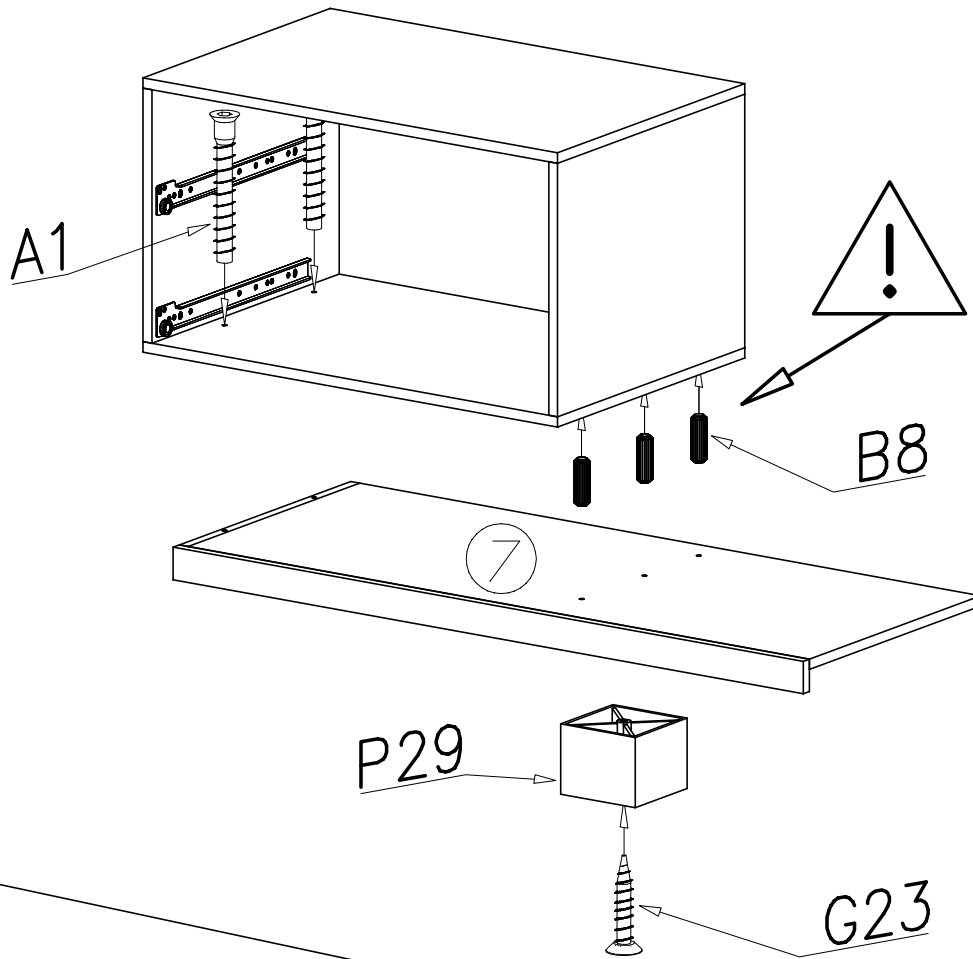
I



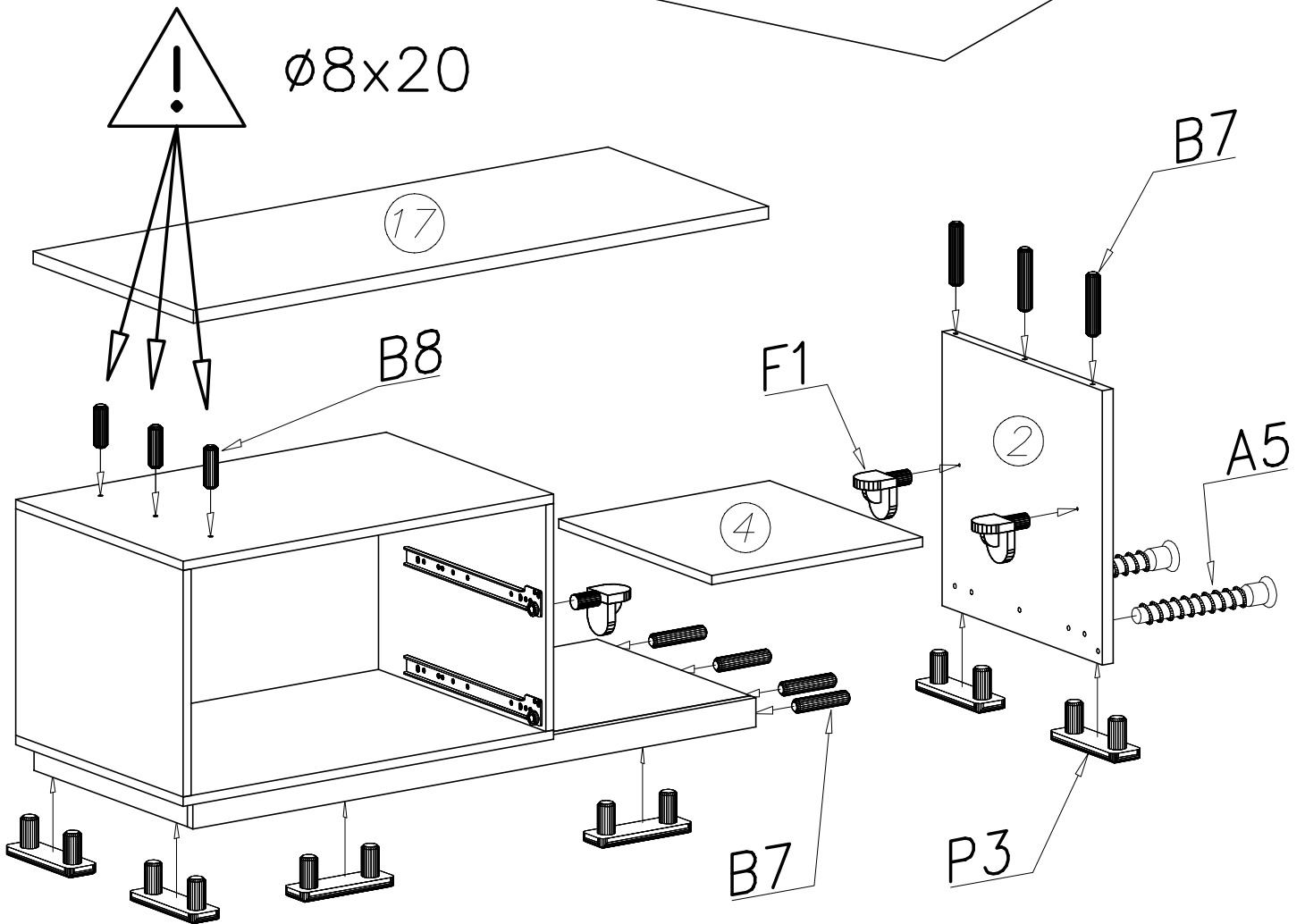
II



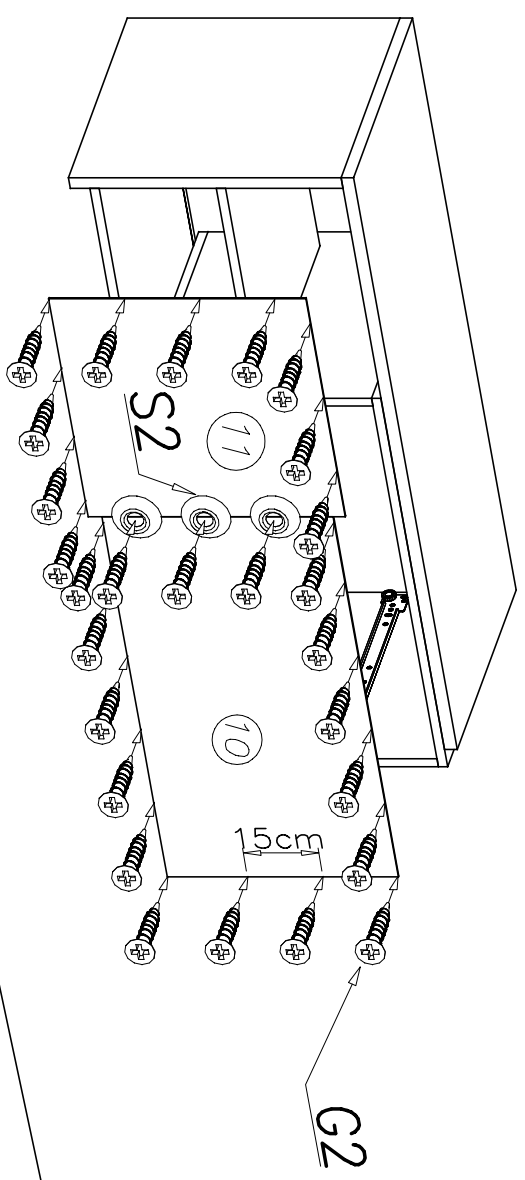
III



IV



V



VI

