

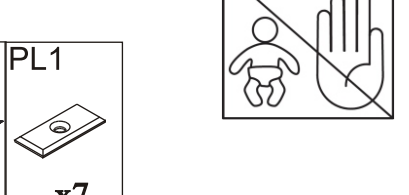
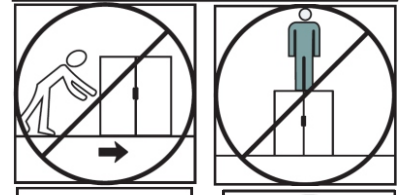
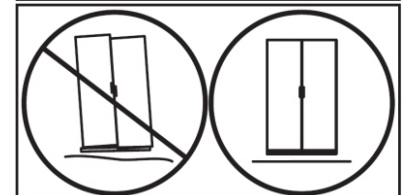
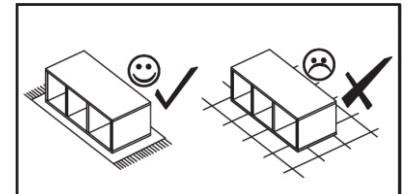
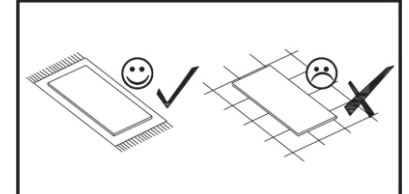
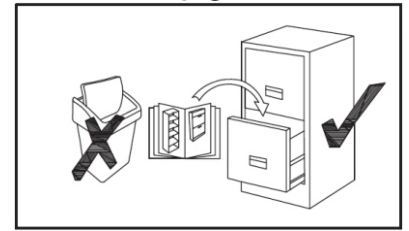
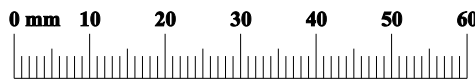
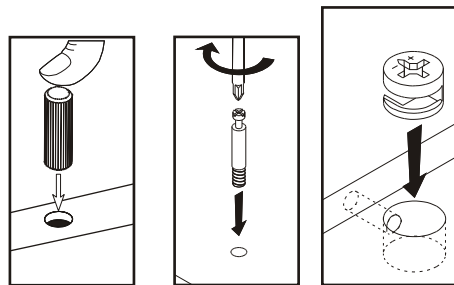
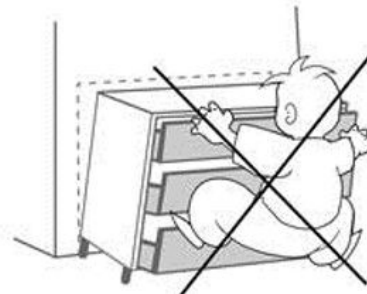
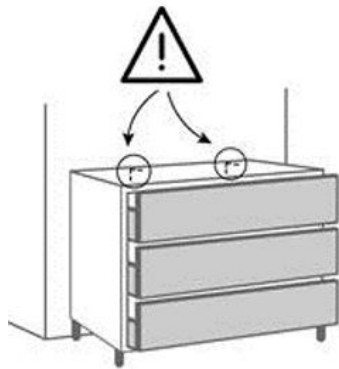
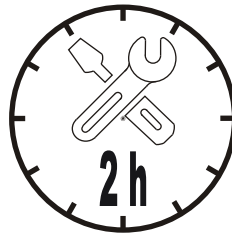
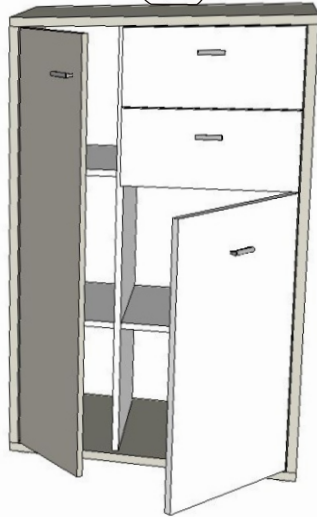
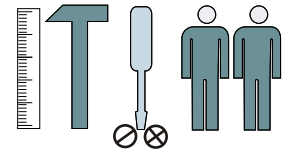


MOUNTAIN SCHUHKOMMODE

1/9



wyprodukowano dla / made for / produziert für
BEGA GRUPPE
producent: **MEBLE OKMED** POLAND

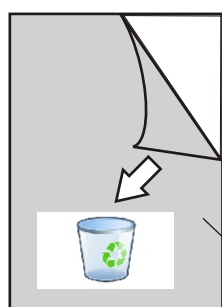
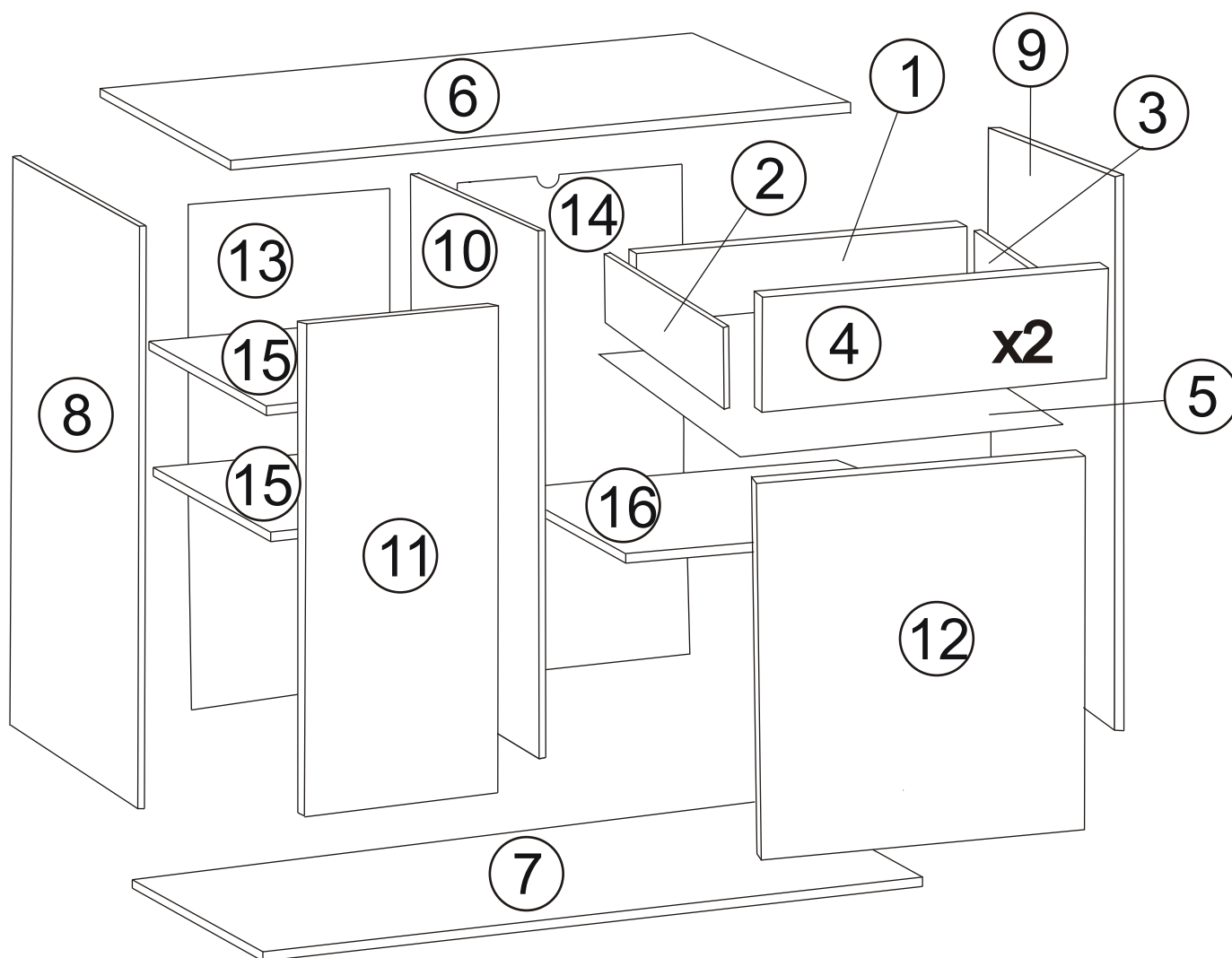


KRW1W11 x1	ZM1 Ø16 x6	KD1 x20	ZM1A x10	ZM1B x10	K1 x10	W1 3x16 x15	PL1 x7
---------------	------------------	------------	-------------	-------------	-----------	-------------------	-----------

KSK1 Glue x1	PQ1/PQ2 x2	PP x12	KK1 x1	SS6 x5	S1 x10	Z1P x5	Z1 x5	W4 4x13 x10	U47 x4	U26A 3,5x27 x8
--------------------	---------------	-----------	-----------	-----------	-----------	-----------	----------	-------------------	-----------	----------------------

MOUNTAIN SCHUHKOMMODE

2/9

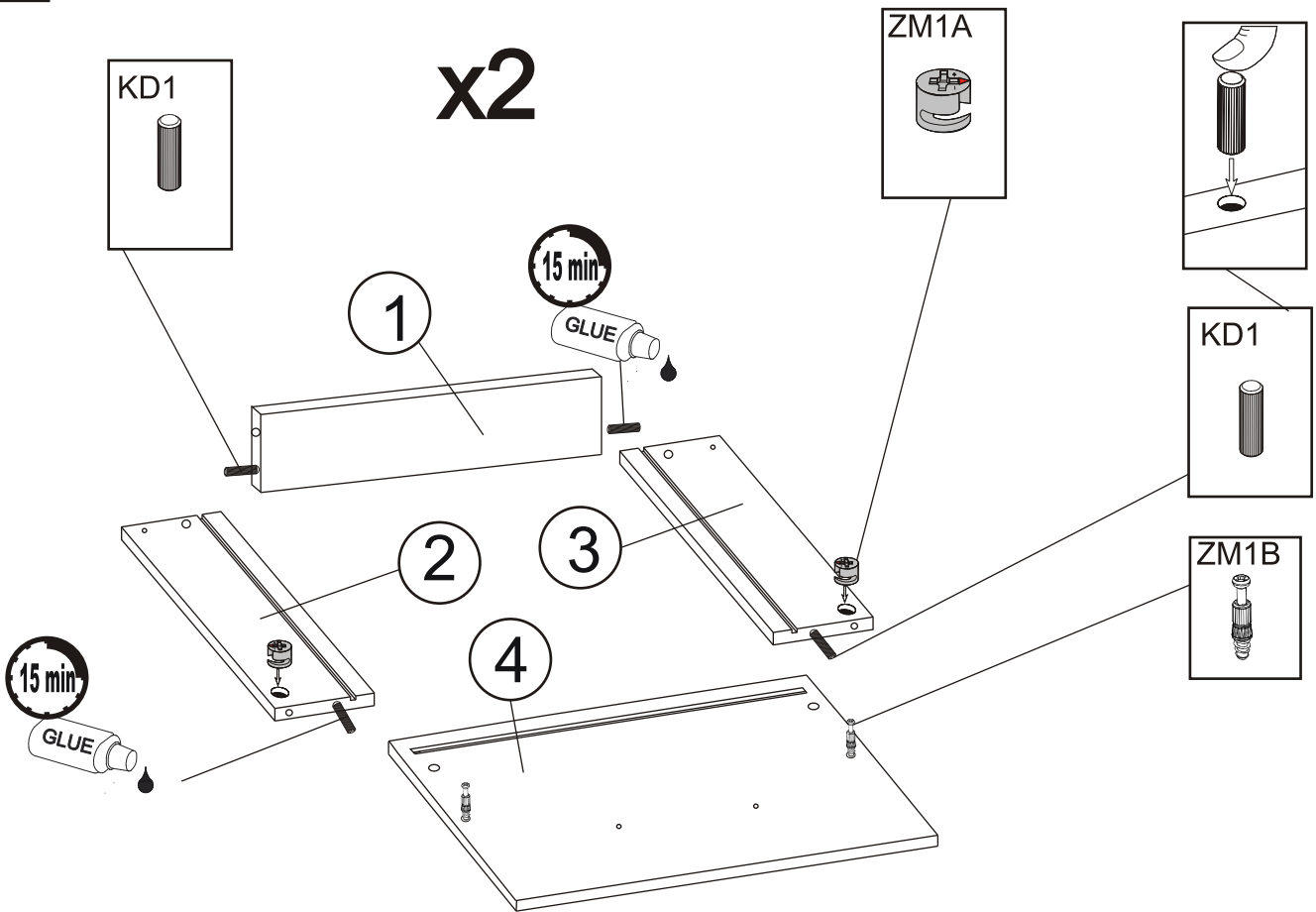


4
12

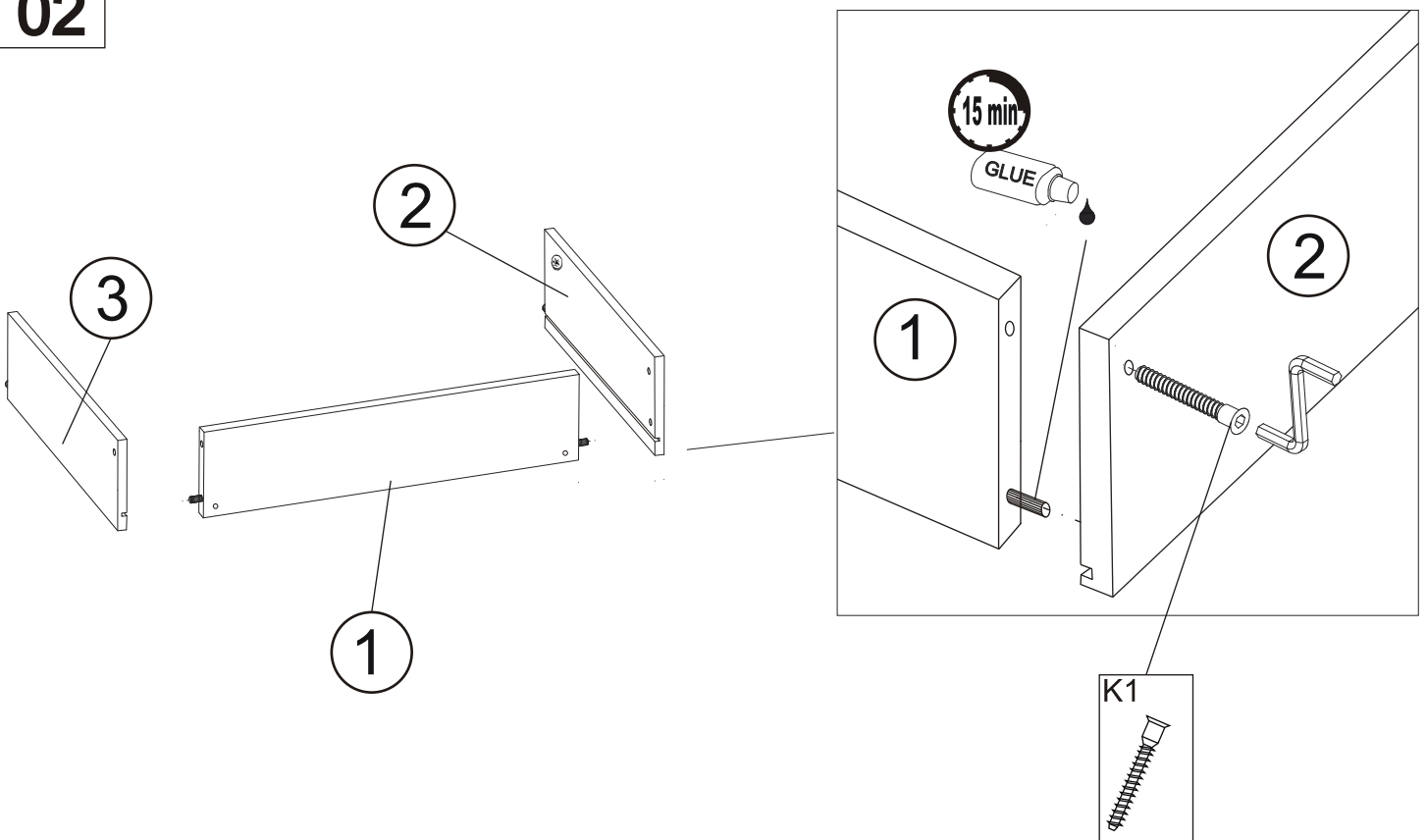
1/2	6	EL-MOU-GAR-KOMODA-DACH-G-BE	22x400x700	x1
	7	EL-MOU-GAR-KOMODA-DACH-D-BE	22x400x700	x1
	8	EL-MOU-GAR-KOMODA-BOK-L-BE	22x399x1081	x1
	9	EL-MOU-GAR-KOMODA-BOK-P-BE	22x399x1081	x1
	1	EL-MOU-GAR-KOMODA-TYLNIAK-SZ-BI	16x97x362	x2
	5	EL-MOU-GAR-KOMODA-DNO-SZ-HDF-BI	3x315x376	x2

2/2	11	EL-MOU-GAR-KOMODA-FRO-L-BE	16x242x1075	x1
	16	EL-MOU-GAR-KOMODA-POŁKA-P-BI	16x348x402	x1
	15	EL-MOU-GAR-KOMODA-POŁKA-L-BI	16x348x237	x2
	10	EL-MOU-GAR-KOMODA-PRZEG-BI	16x363x1081	x1
	2	EL-MOU-GAR-KOMODA-BOCZ-SZ-L-BI	16x110x310	x2
	3	EL-MOU-GAR-KOMODA-BOCZ-SZ-P-BI	16x110x310	x2
	12	EL-MOU-GAR-KOMODA-FRO-P-BI SQ	16x405x687	x1
	4	EL-MOU-GAR-KOMODA-FRO-SZ-BI SQ	16x405x191	x2
	14	EL-MOU-GAR-KOMODA-PLECY-HDF-P-BI	3x418x1097	x1
	13	EL-MOU-GAR-KOMODA-PLECY-HDF-L-BI	3x254x1097	x1

01



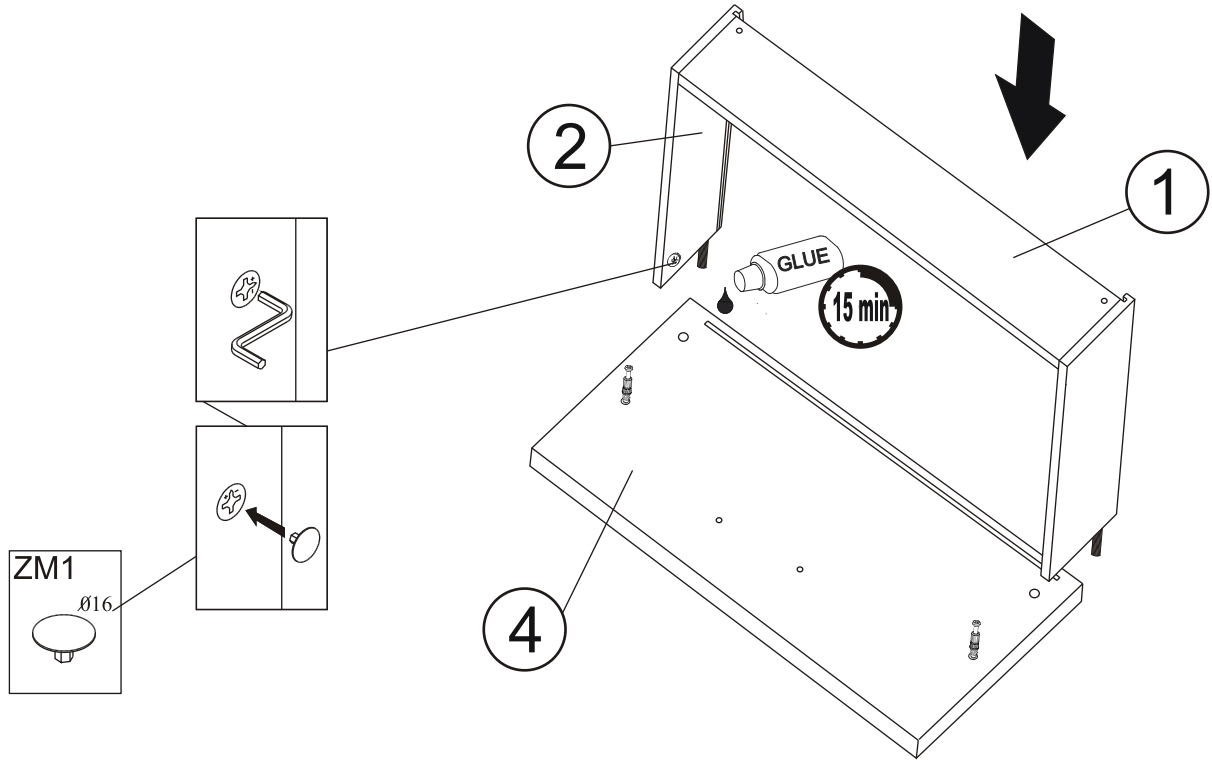
02



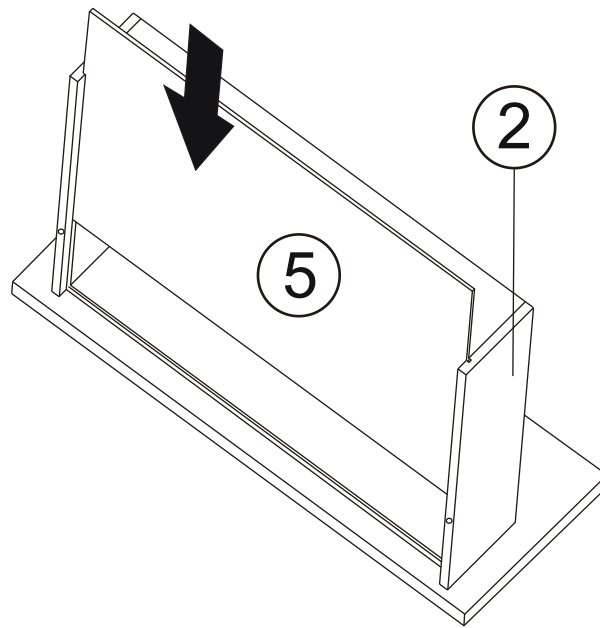
MOUNTAIN SCHUHKOMMODE

4/9

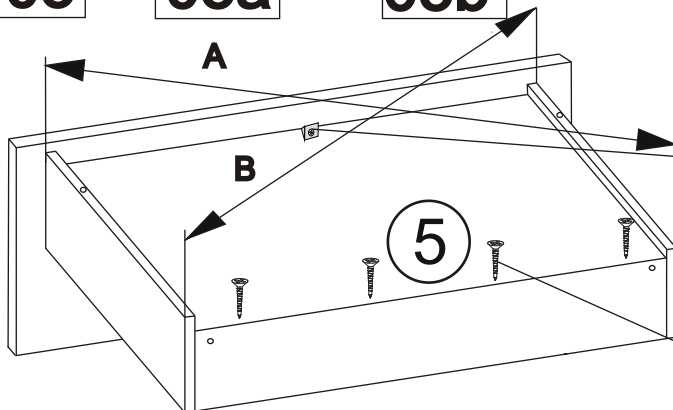
03



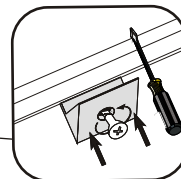
04



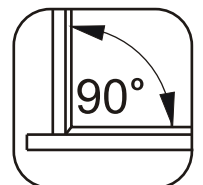
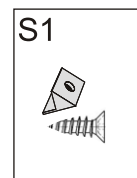
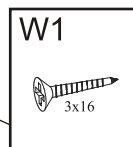
05 → 05a → 05b



05b



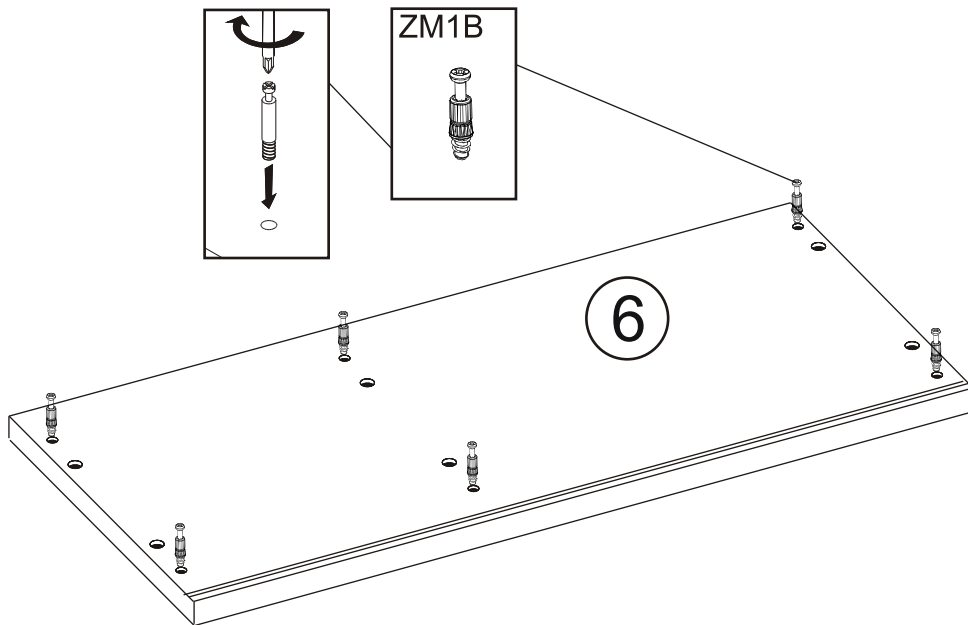
05a



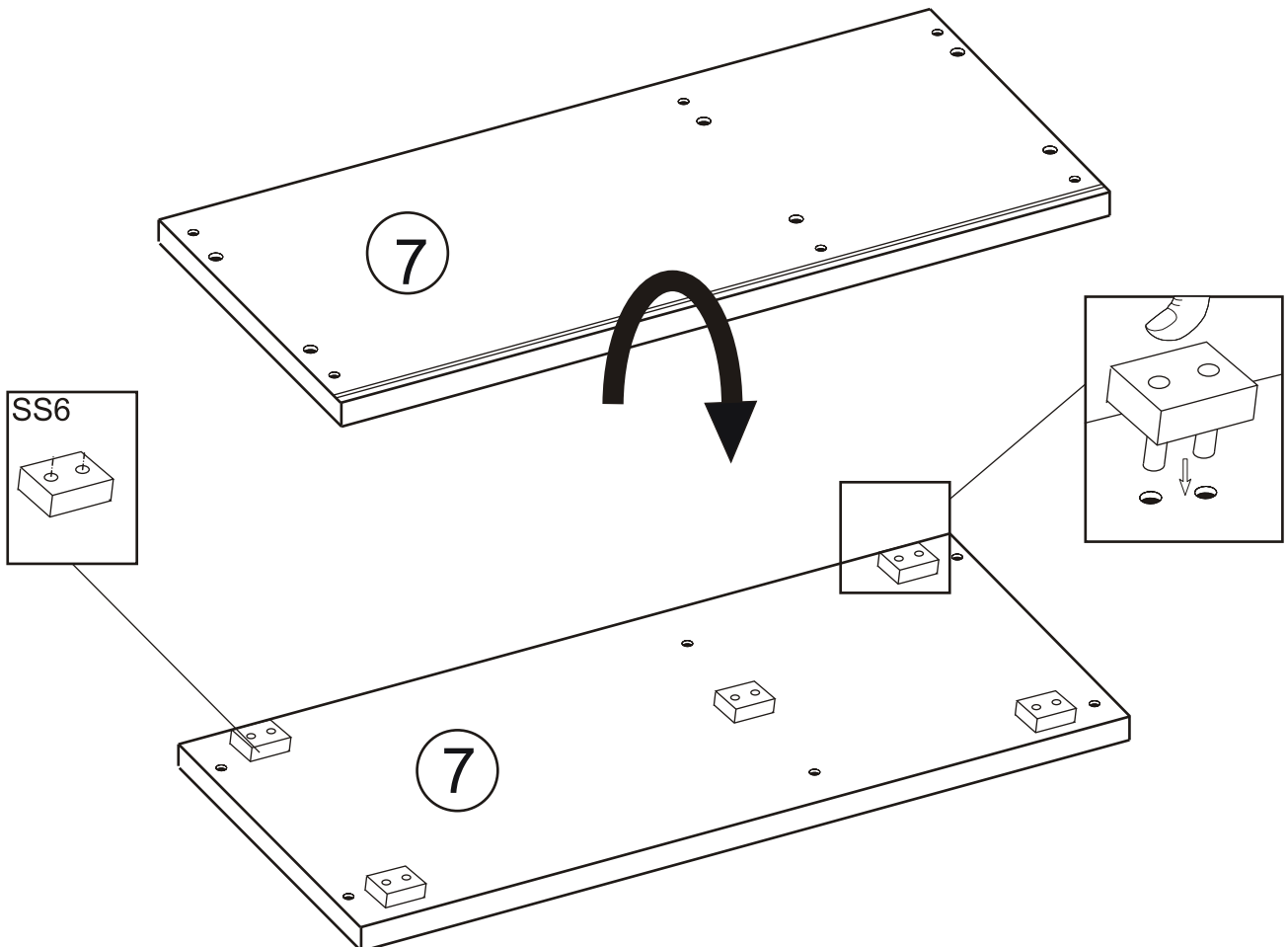
MOUNTAIN SCHUHKOMMODE

5/9

06



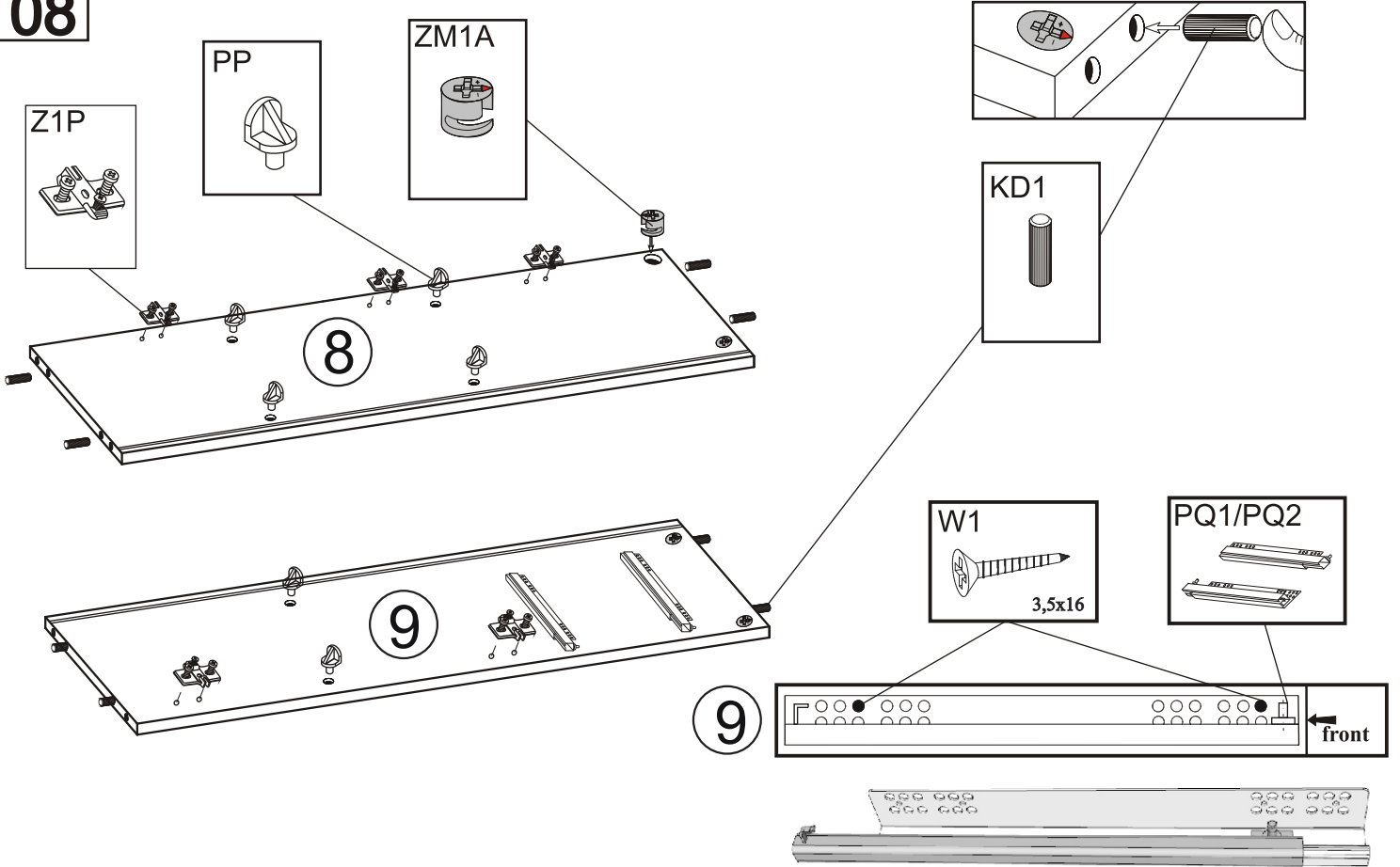
07



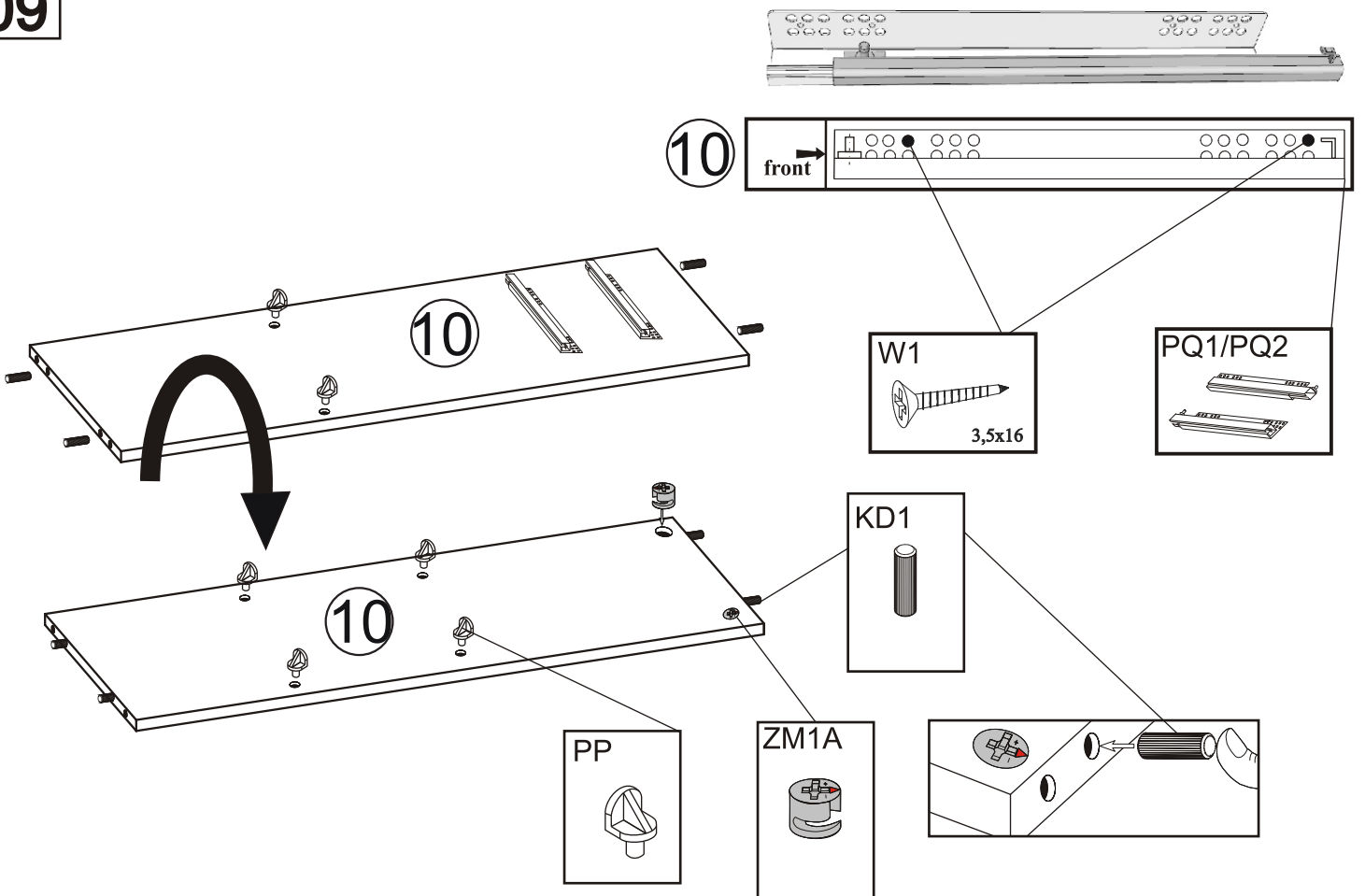
MOUNTAIN SCHUHKOMMODE

6/9

08



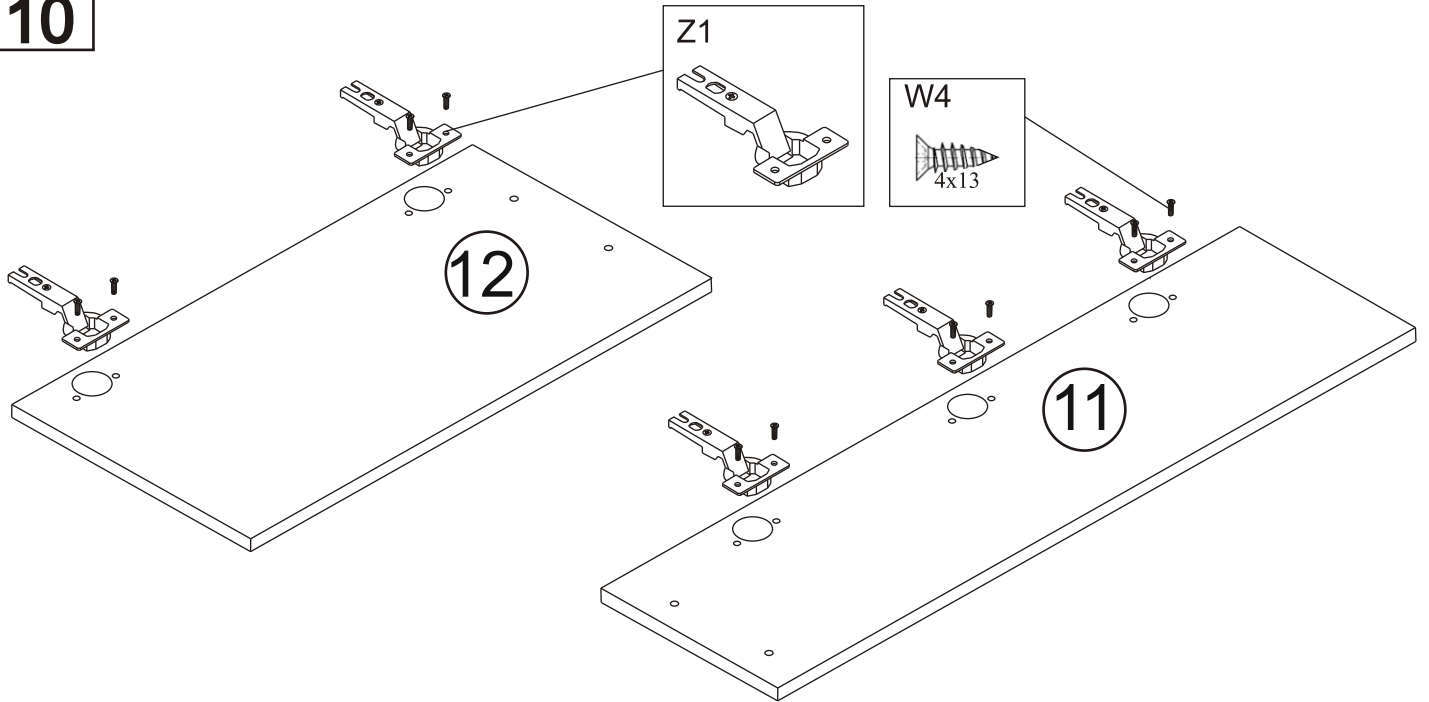
09



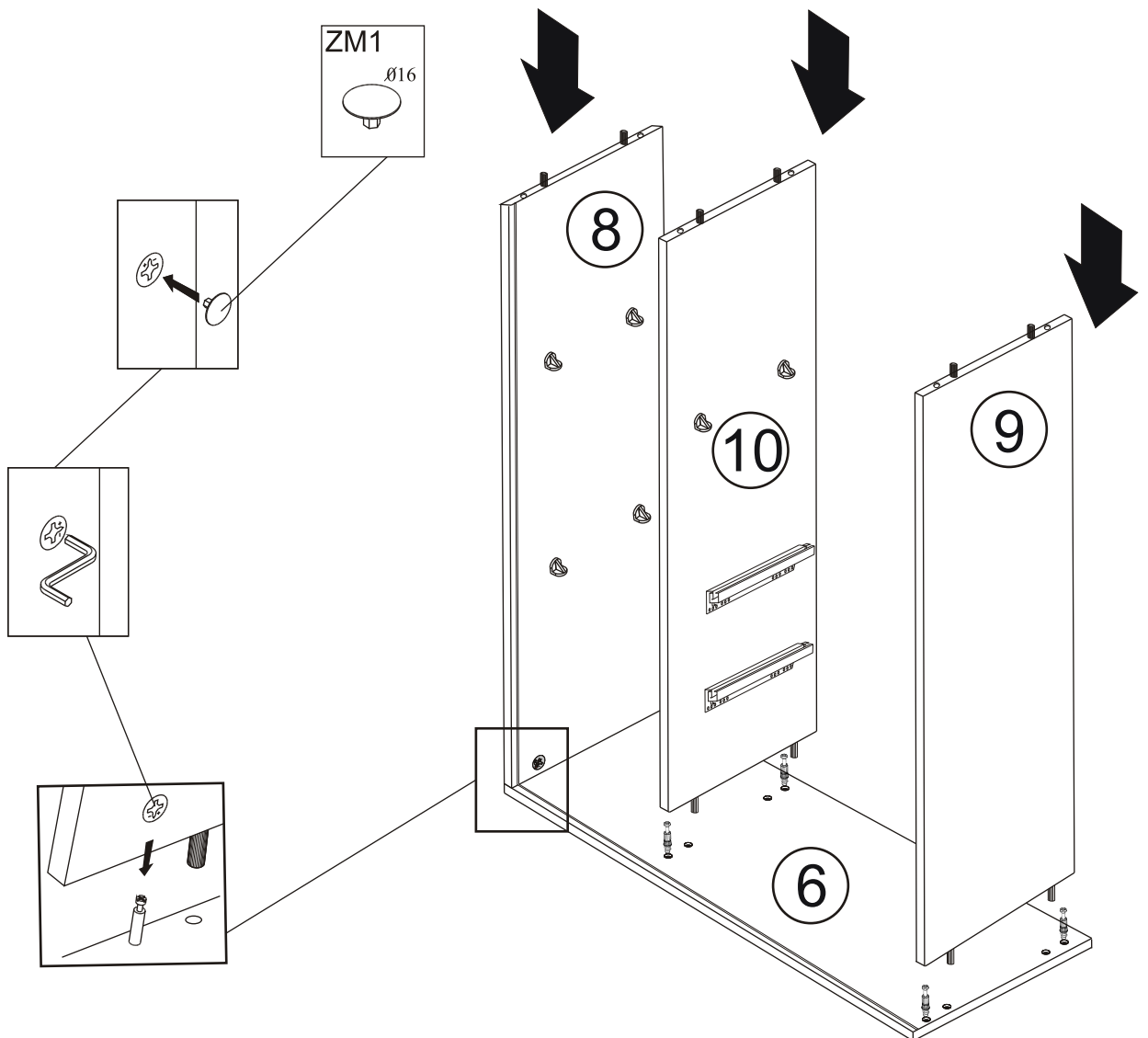
MOUNTAIN SCHUHKOMMODE

7/9

10

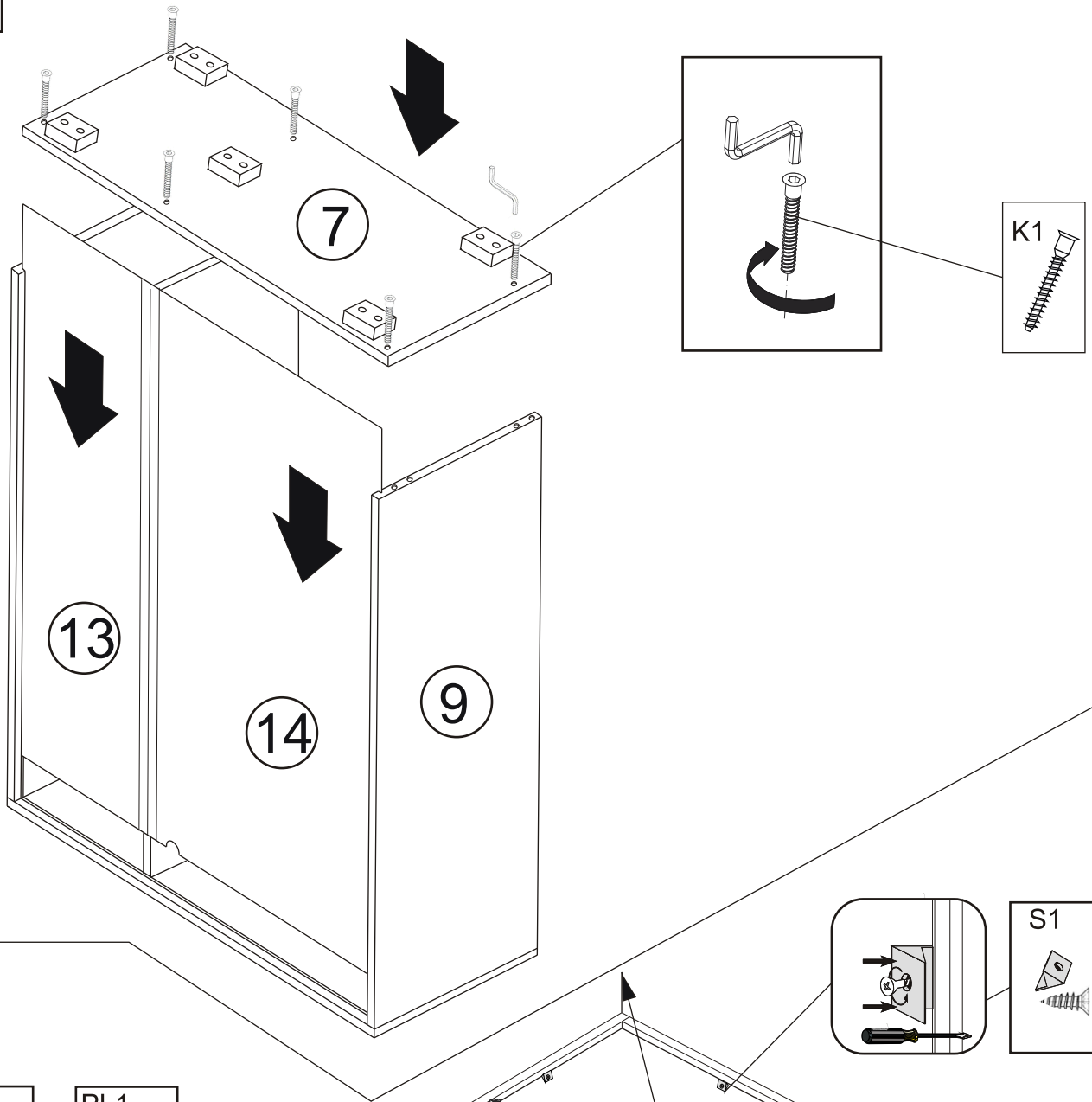


11

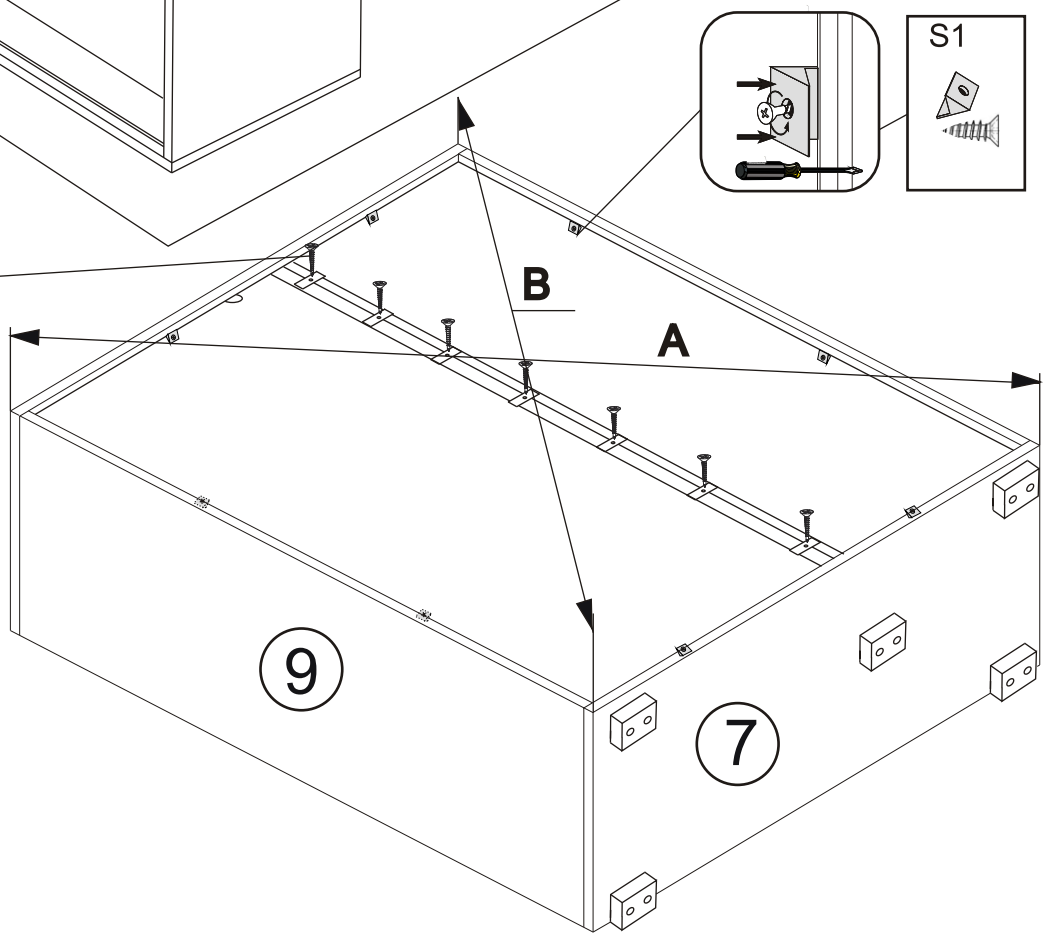
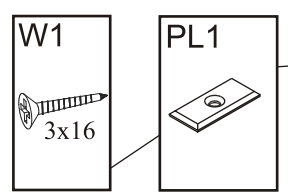


MOUNTAIN SCHUHKOMMODE

12



13




A=B

MOUNTAIN SCHUHKOMMODE

9/9

14

