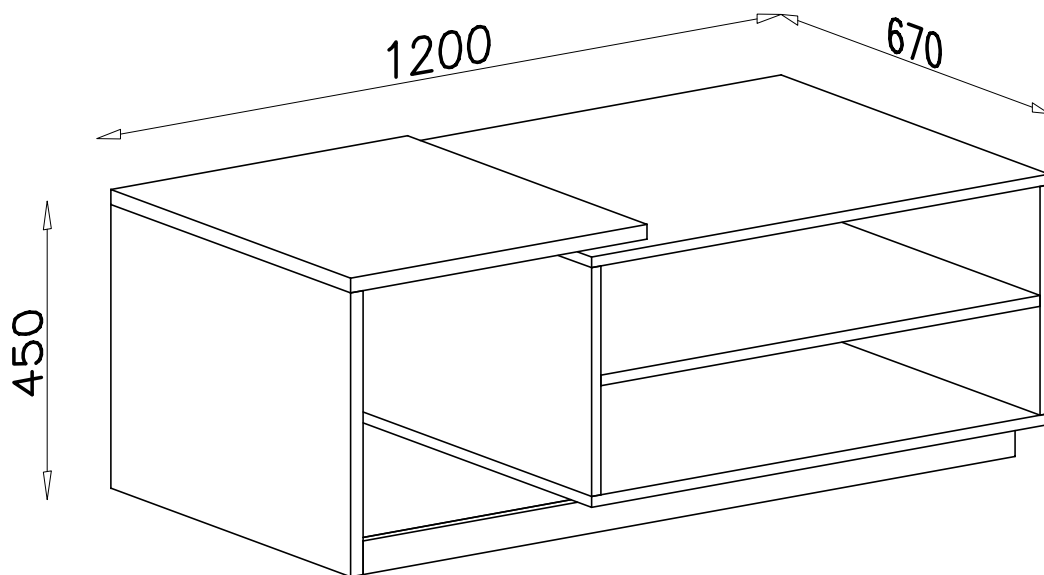
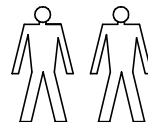
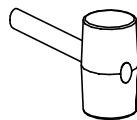
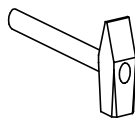
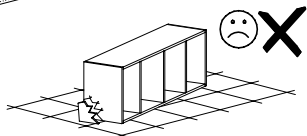
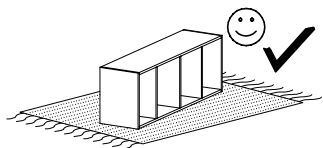


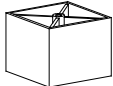


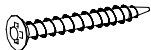
# ETNA ET 13




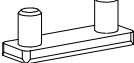
**B7**   $\varnothing 8 \times 30$  x50

**B8**   $\varnothing 8 \times 20$  x9

**P29**  x1

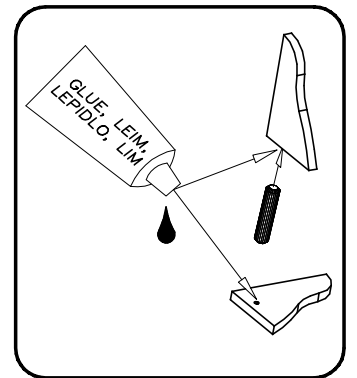
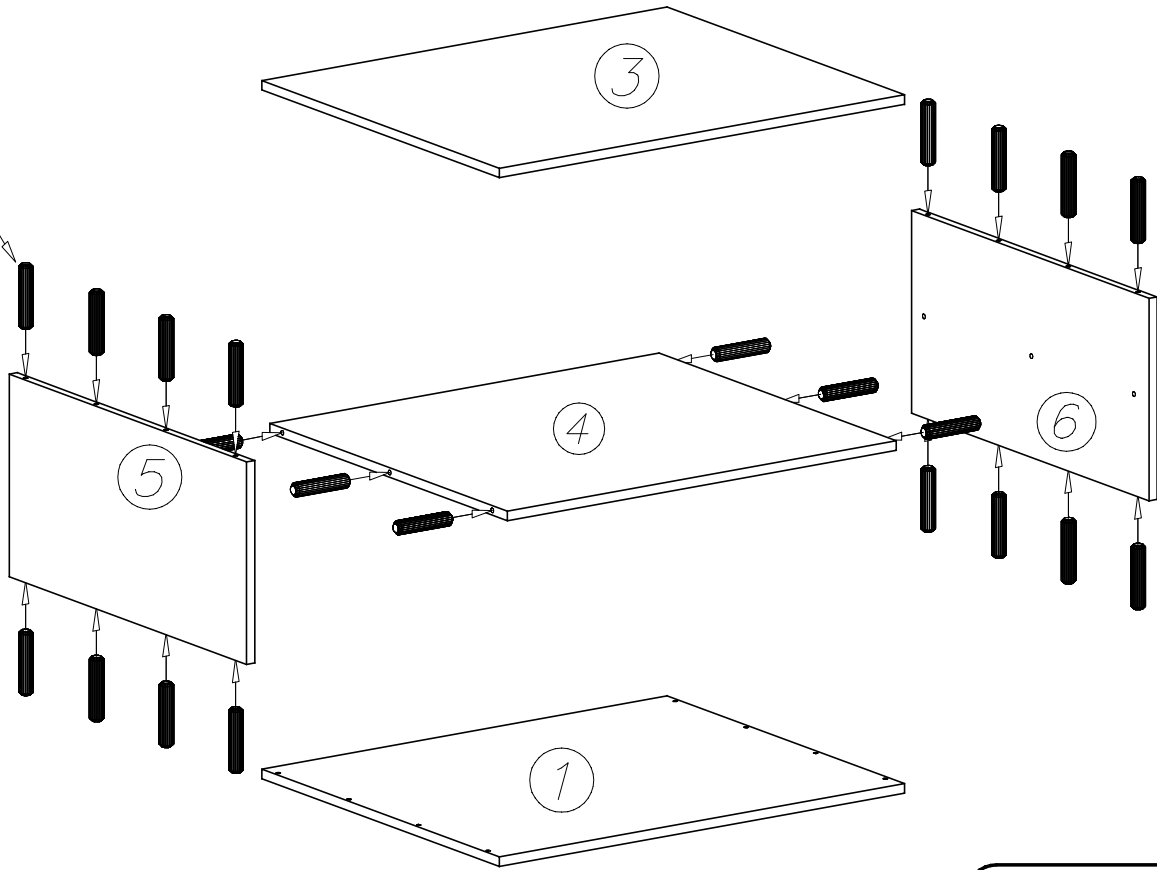
**G23**  4x40 x1

**W1**  x3  
GLUE, LEIM, LEPIDLO, LJM

**P3**  x8

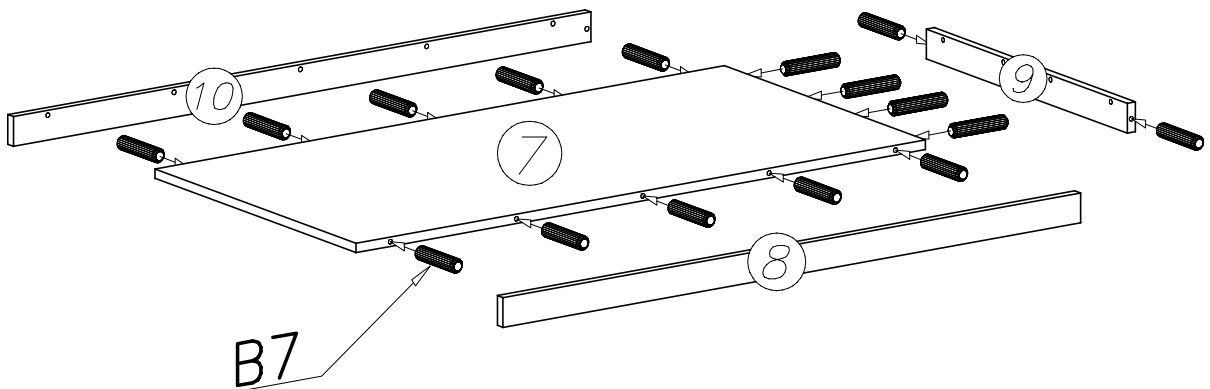
I

B7



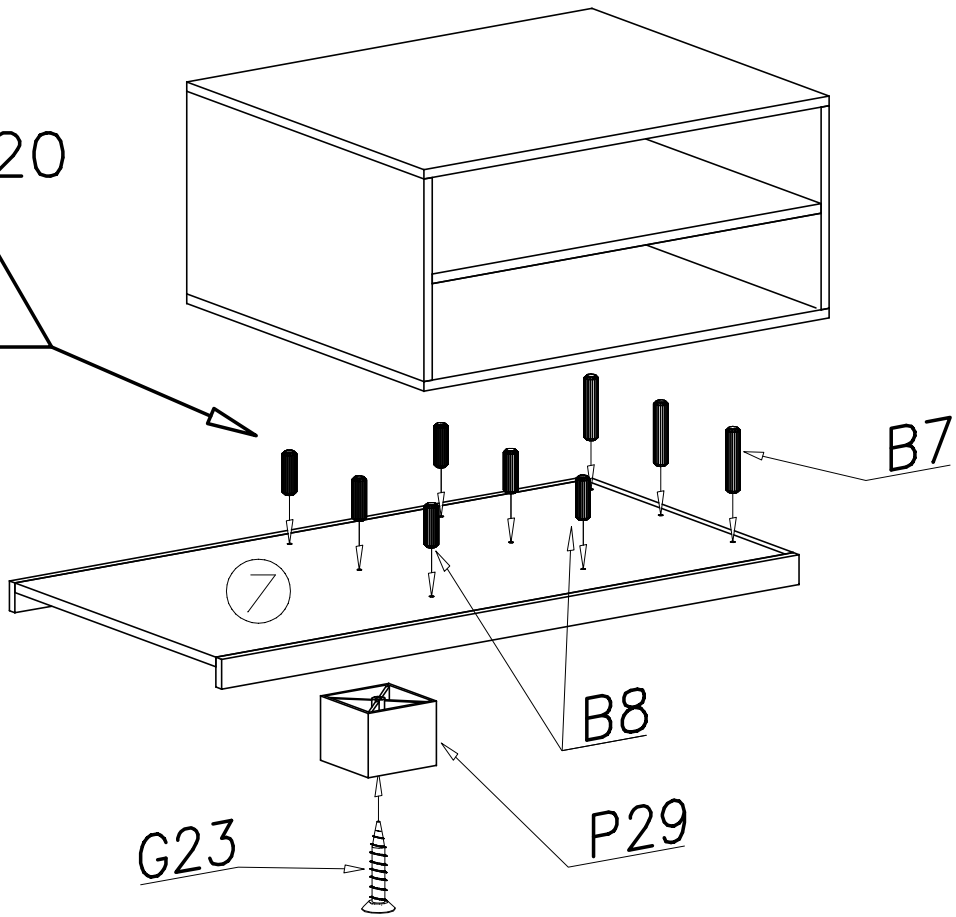
II

B7



III

ø8x20



IV

ø8x20

