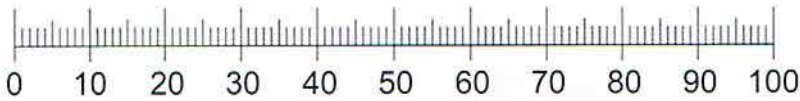
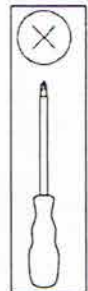
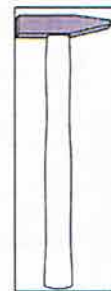
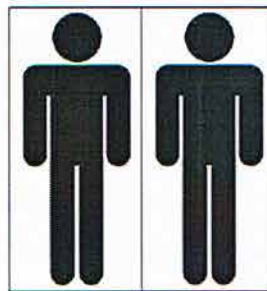
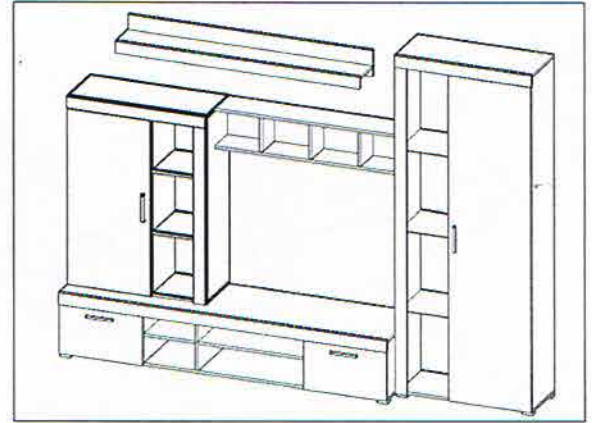
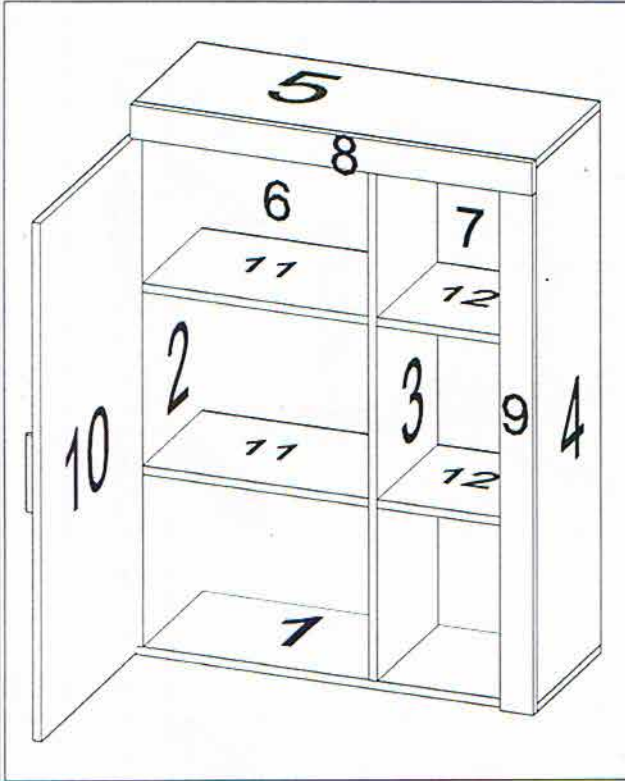


MODELL

TOM

1

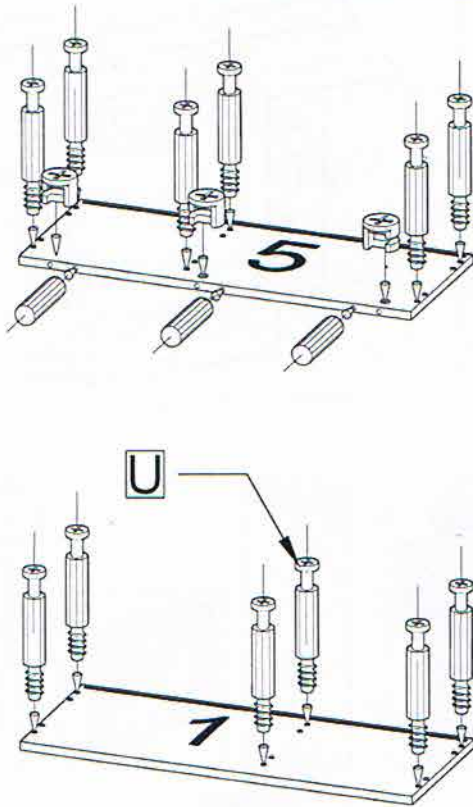


40min

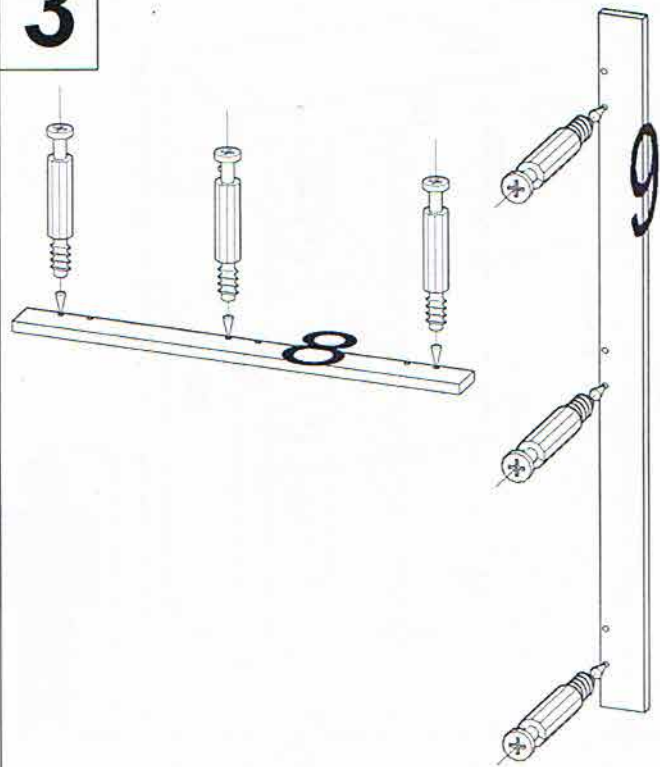
C	D	E	4 X 13	L3
x 2	x 2	x 4		x 16

M	K1	4 X 25	B	L1	R	U	T	P	K	3 X 20
x 1	x 2	x 20	x 4	x 18	x 18	x 4	x 8	x 4		

1



3



2

