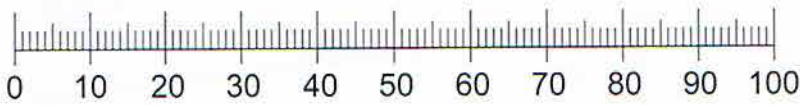
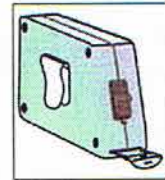
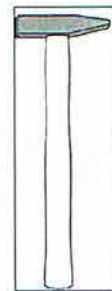
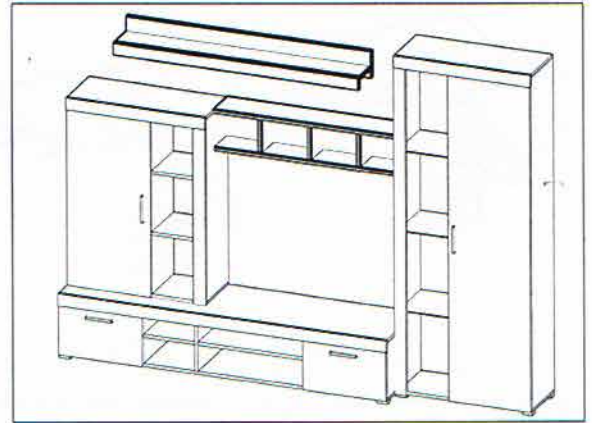
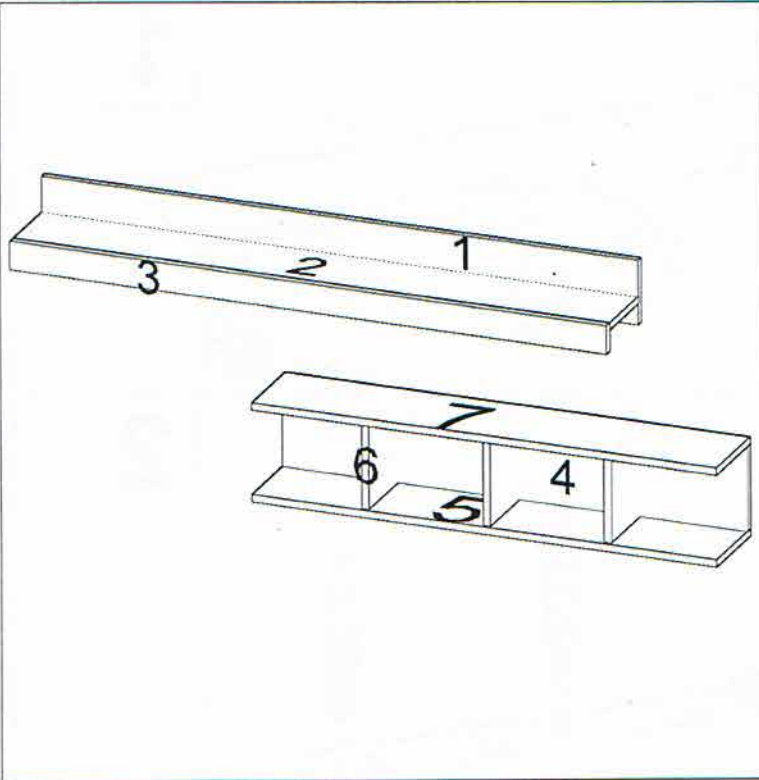


MODELL

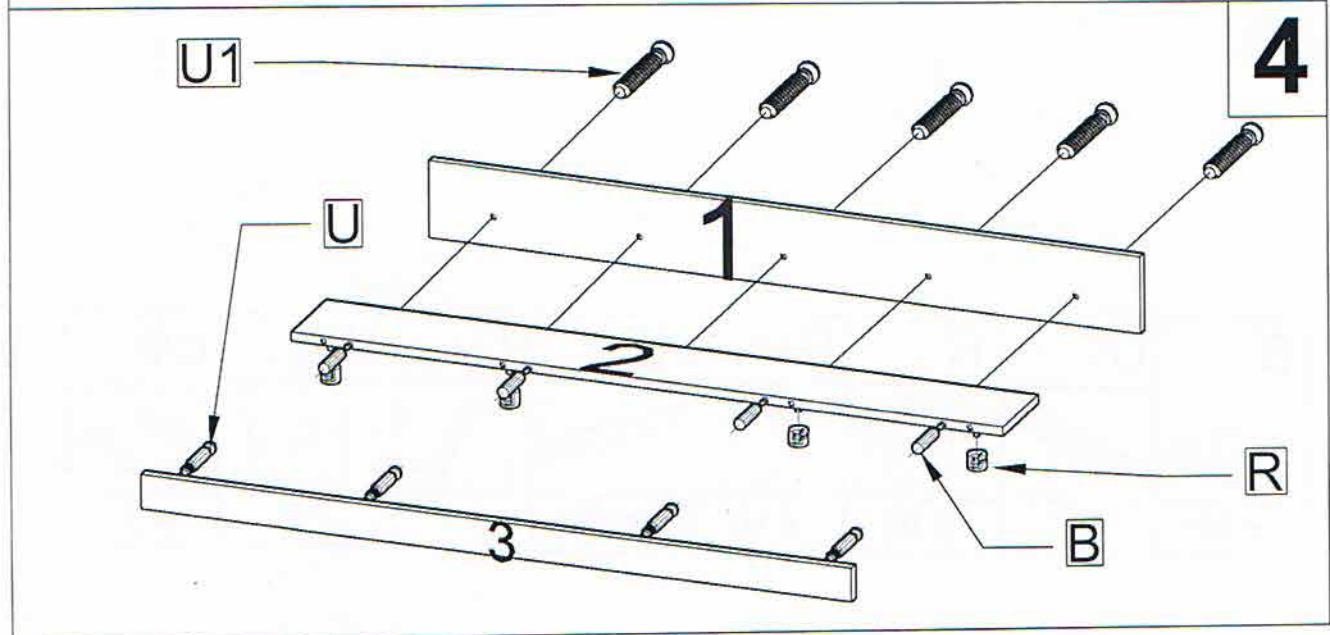
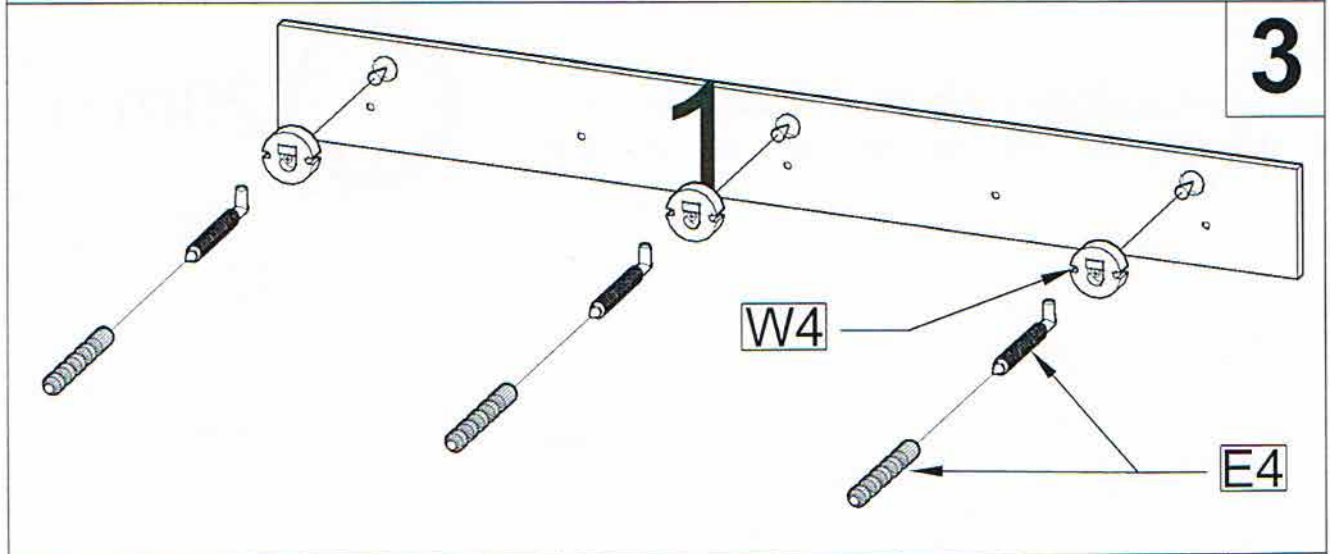
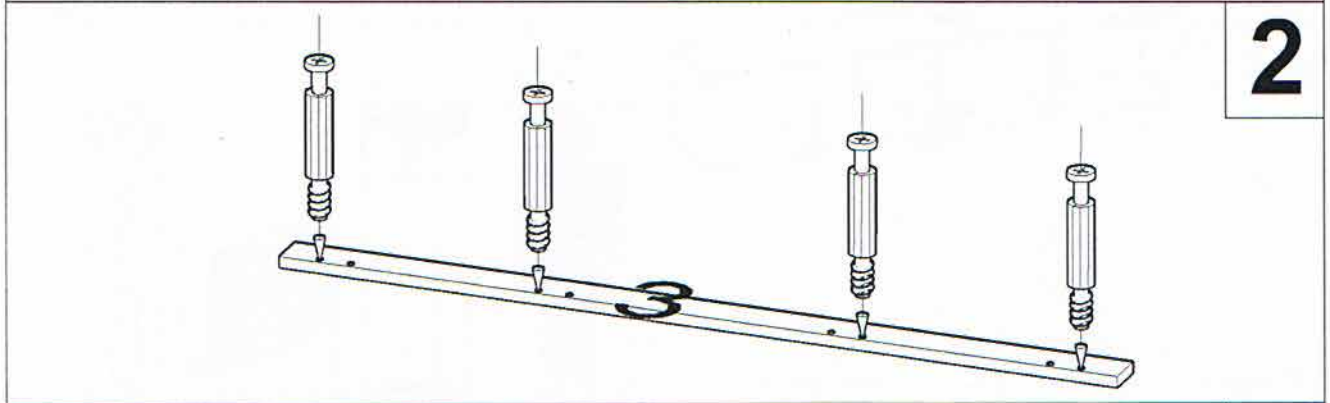
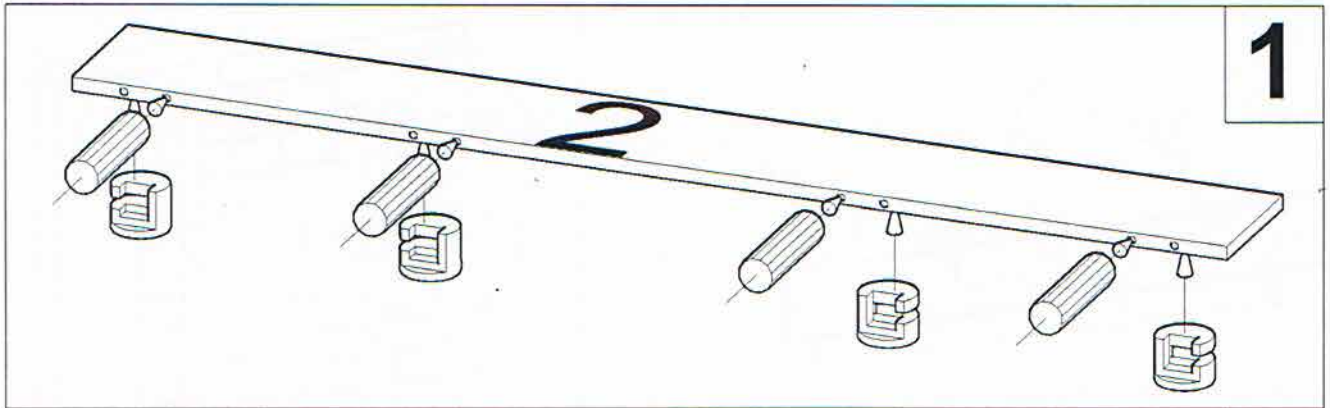
TOM

1



20min

B	U1 <small>7 X70</small>	R	R1	U	G	W4	E4
x 24	x 5	x 14	x 10	x 14	x 1	x 5	x 5



MODELL

TOM

