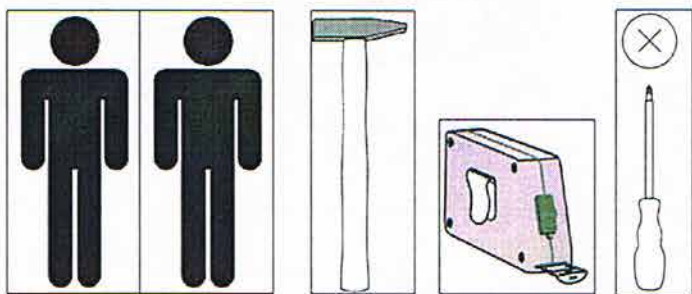
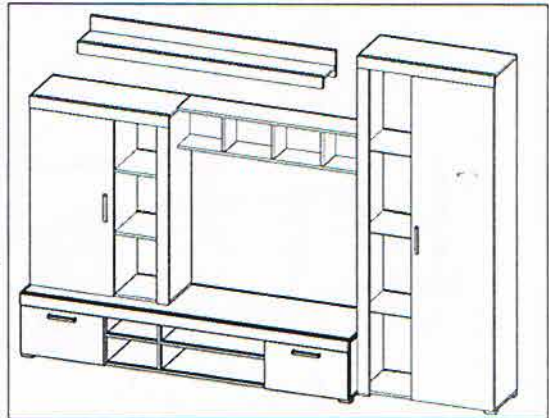
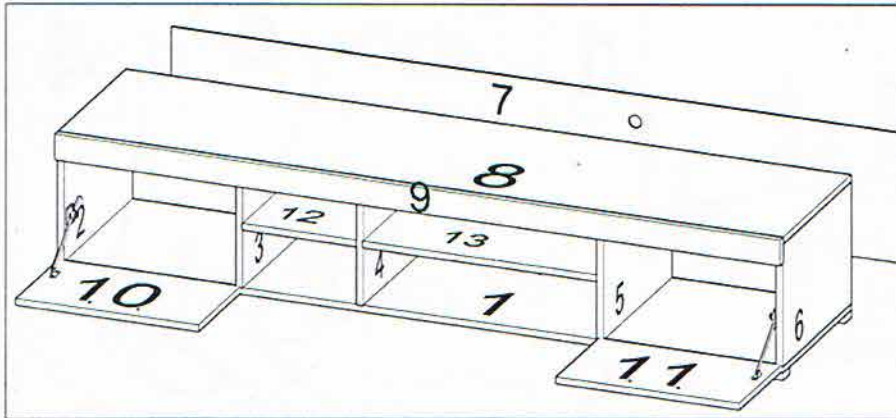


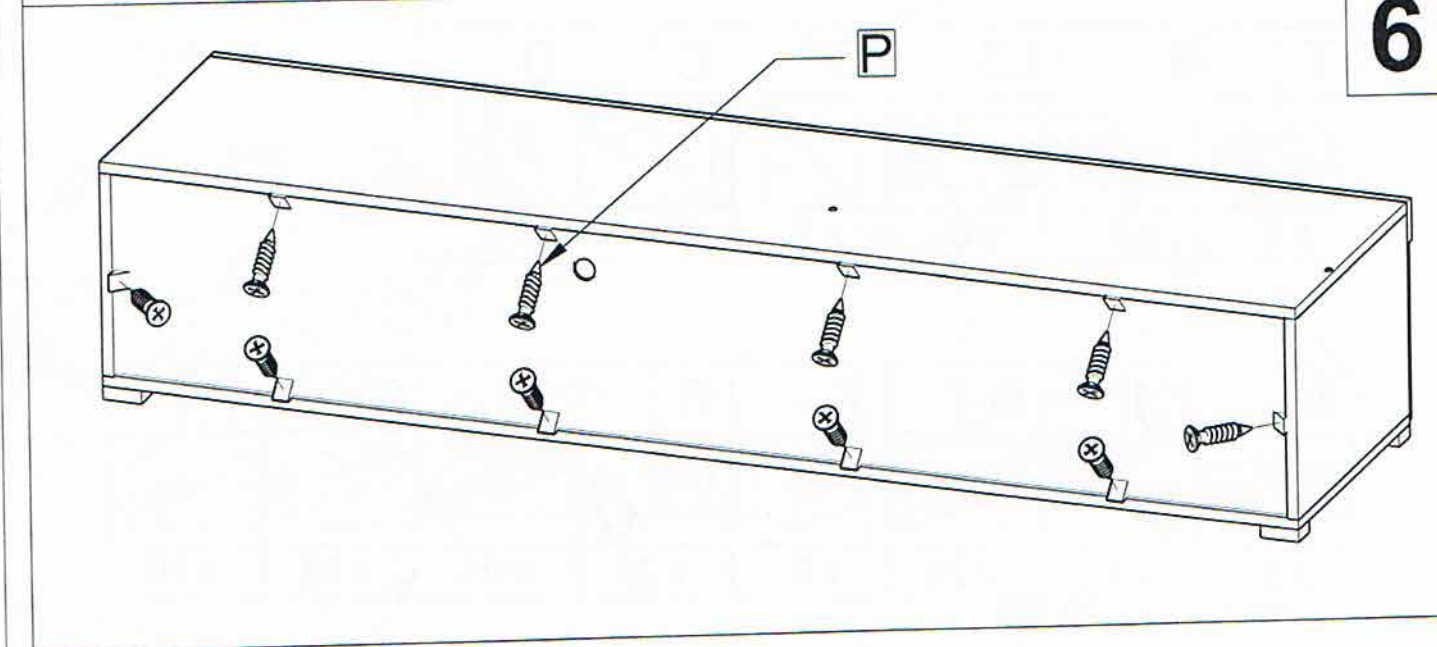
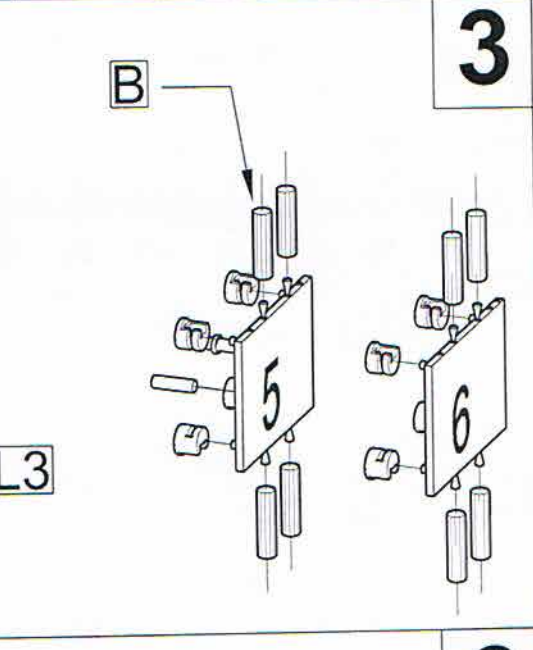
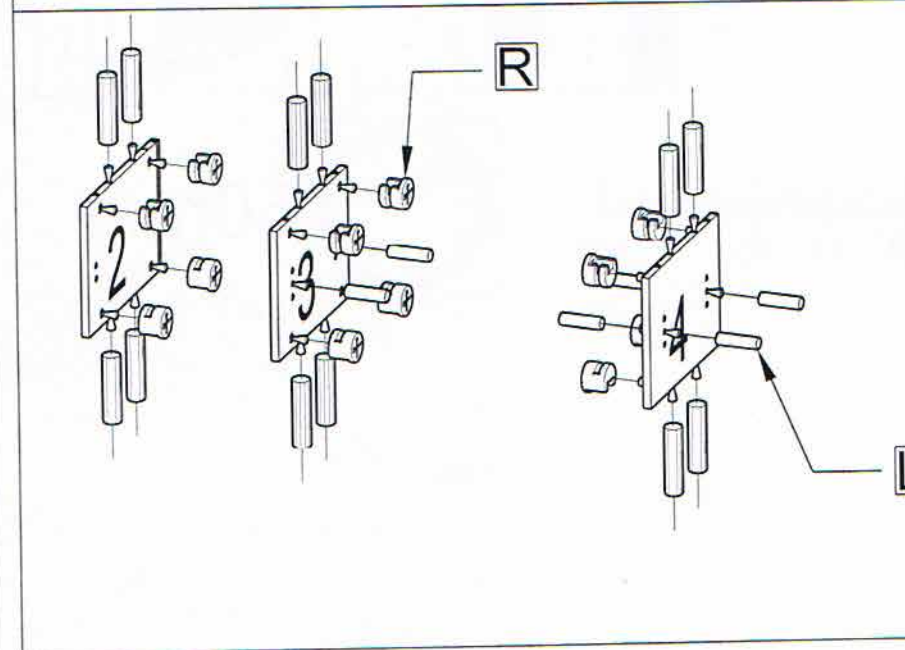
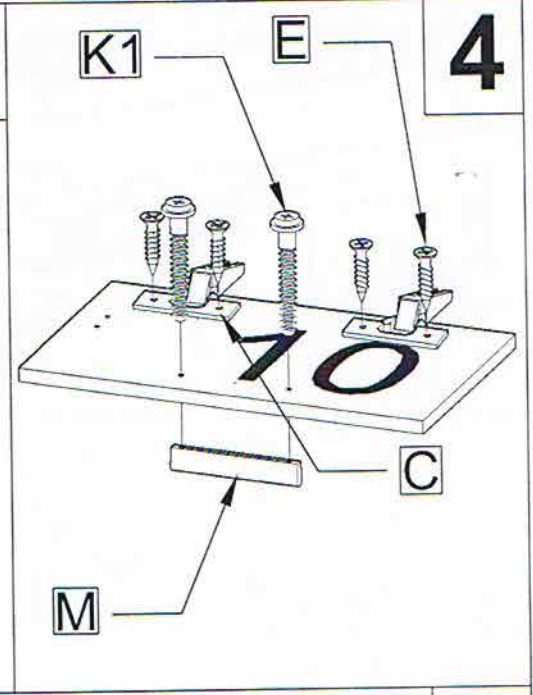
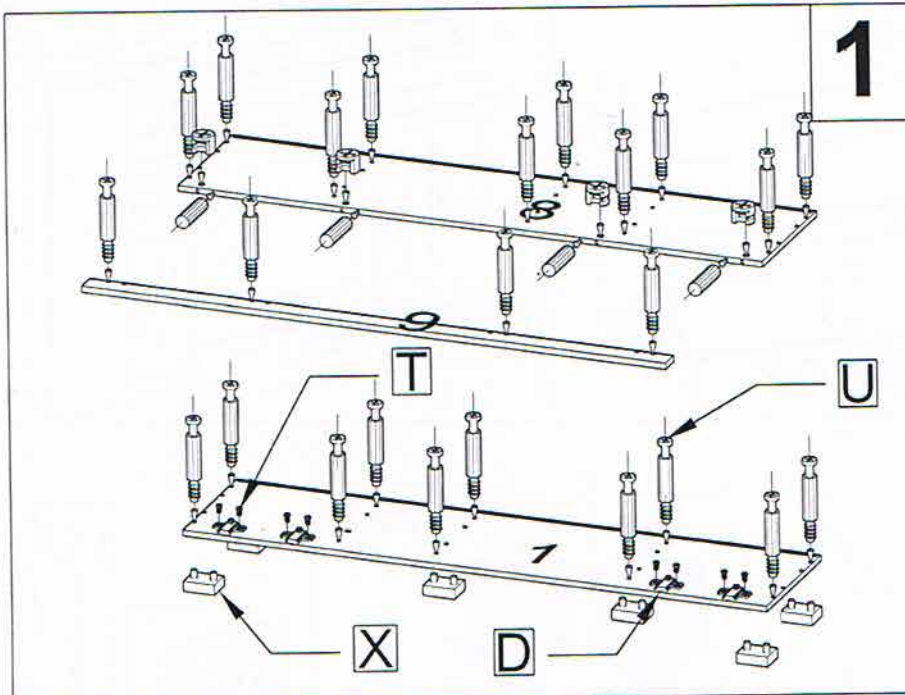
# MODELL TOM



50min

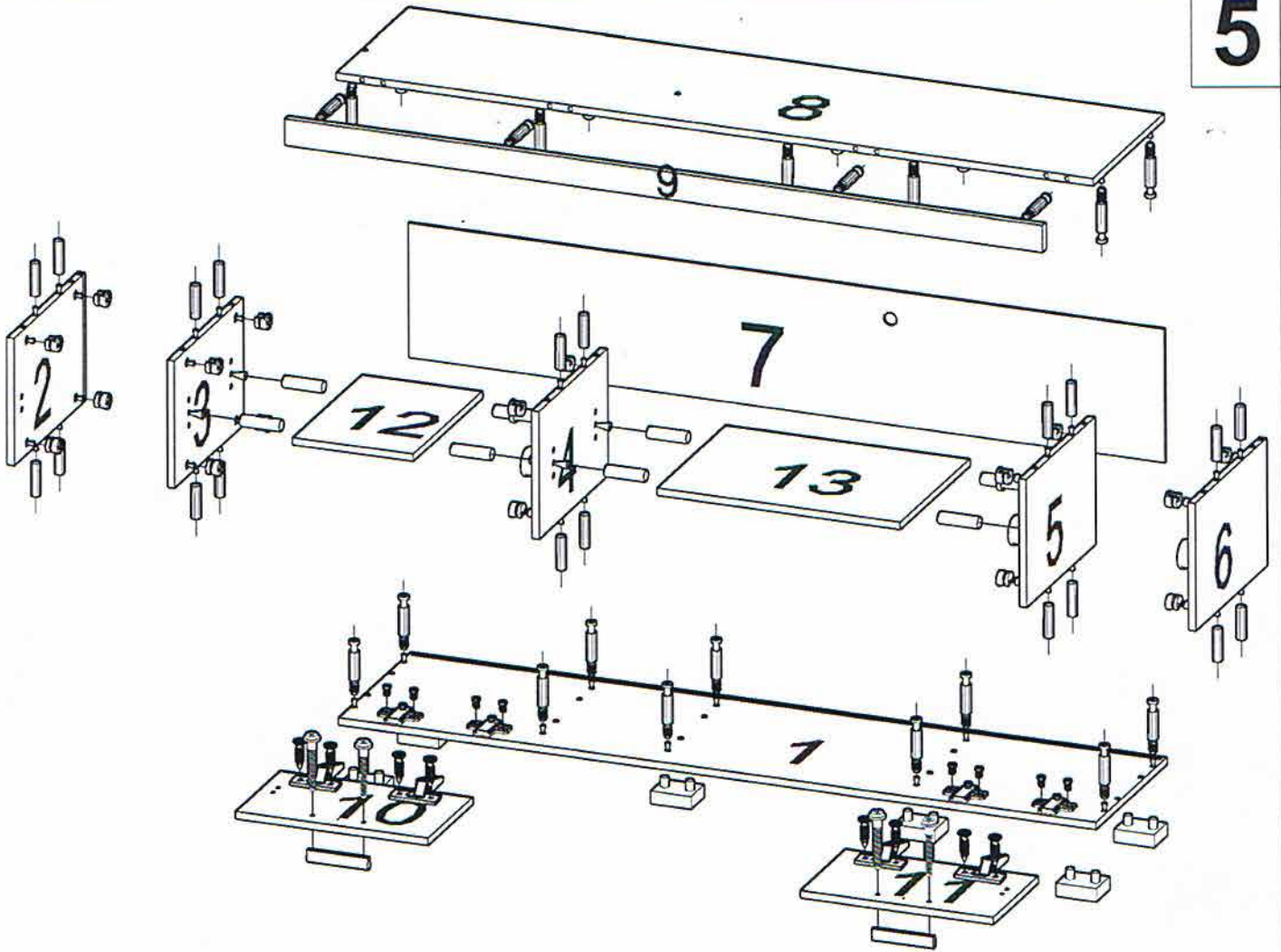
T	E	4 X13	L3	O	C	D
x 8	x 8	x 8	x 2	x 4	x 4	

M	K1	4 X25	B	X	R	U	V	3 X13	P
x 2	x 4	x 24	x 6	x 24	x 24	x 24	x 10	x 10	





5



7

