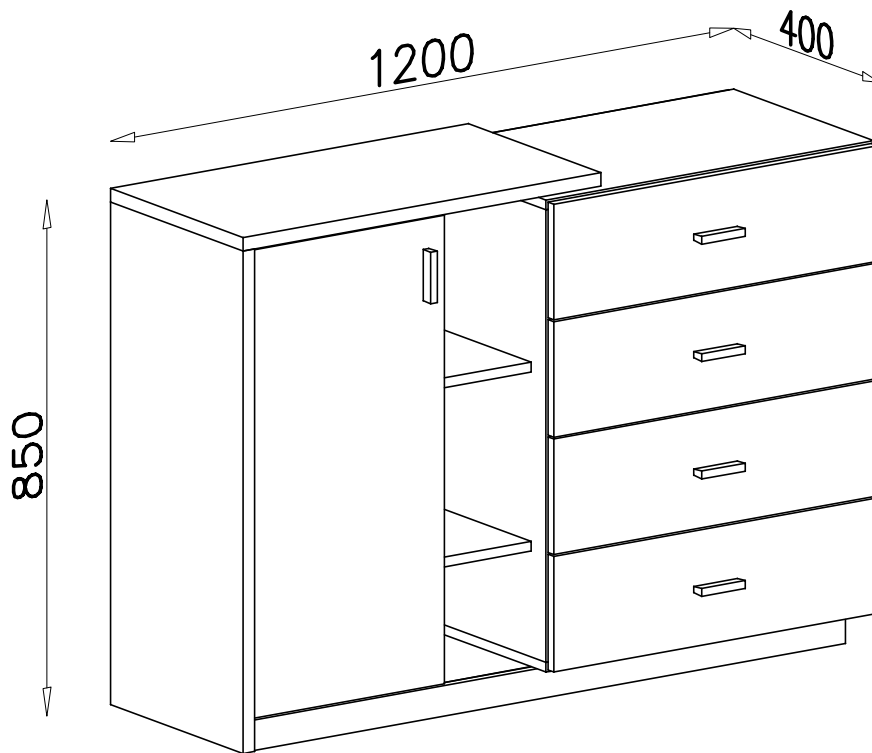
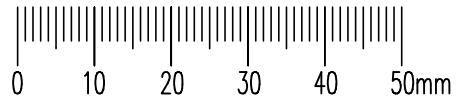
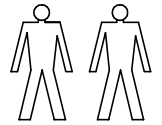
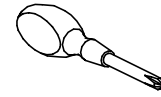
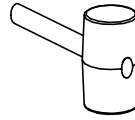
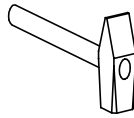
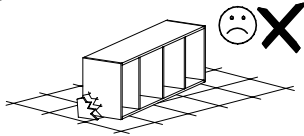
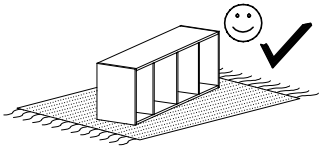


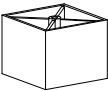
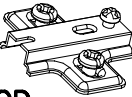
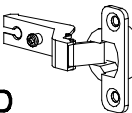

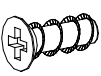
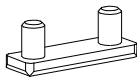
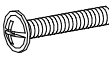
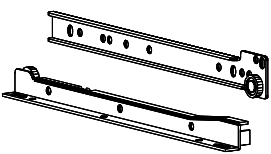
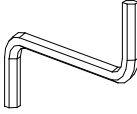
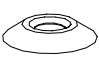

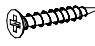



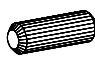
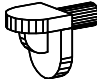

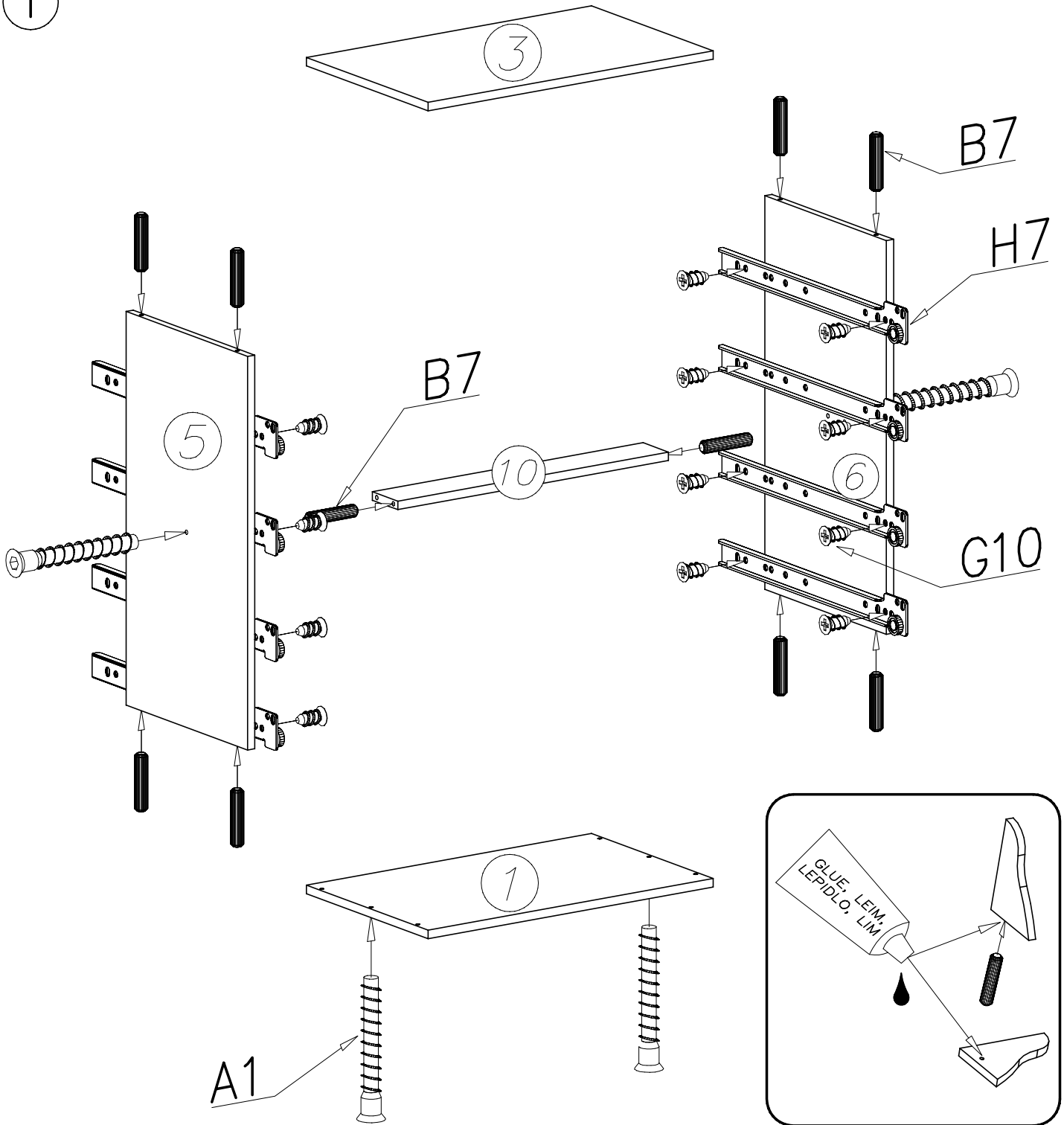


# ETNA ET 5

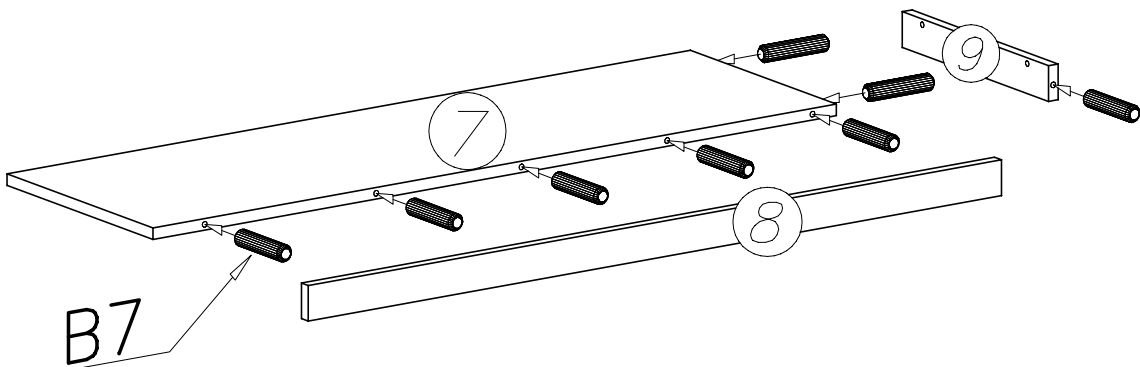


				<b>A5</b>  ø7x60 x1
<b>G23</b>  4x40 x1	<b>P29</b>  x1	<b>D4</b>  PZ350D x2	<b>C4</b>  Z350D x2	<b>S1</b>  738mm x1
<b>G10</b>  6x13 x16	<b>P3</b>  x6	<b>N14</b>  M4x22 x10	<b>H7</b>  350mm x4	<b>W2</b>  x1
<b>S2</b>  x12	<b>G4</b>  4x16 x28	<b>G2</b>  3x20 x60	<b>W1</b>  GLUE, LEIM, LEPIDLO, LIM x3	
<b>A1</b>  ø7x50 x7	<b>B7</b>  ø8x30 x59	<b>B8</b>  ø8x20 x4	<b>F1</b>  x12	<b>E34</b>  x5

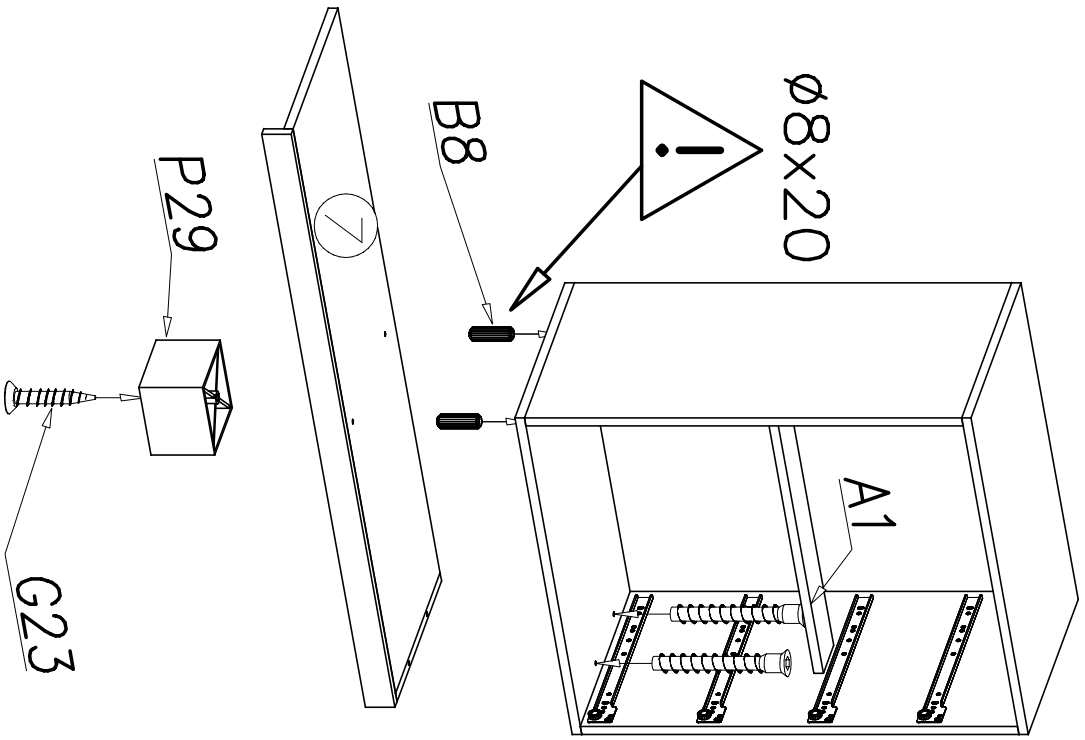
I



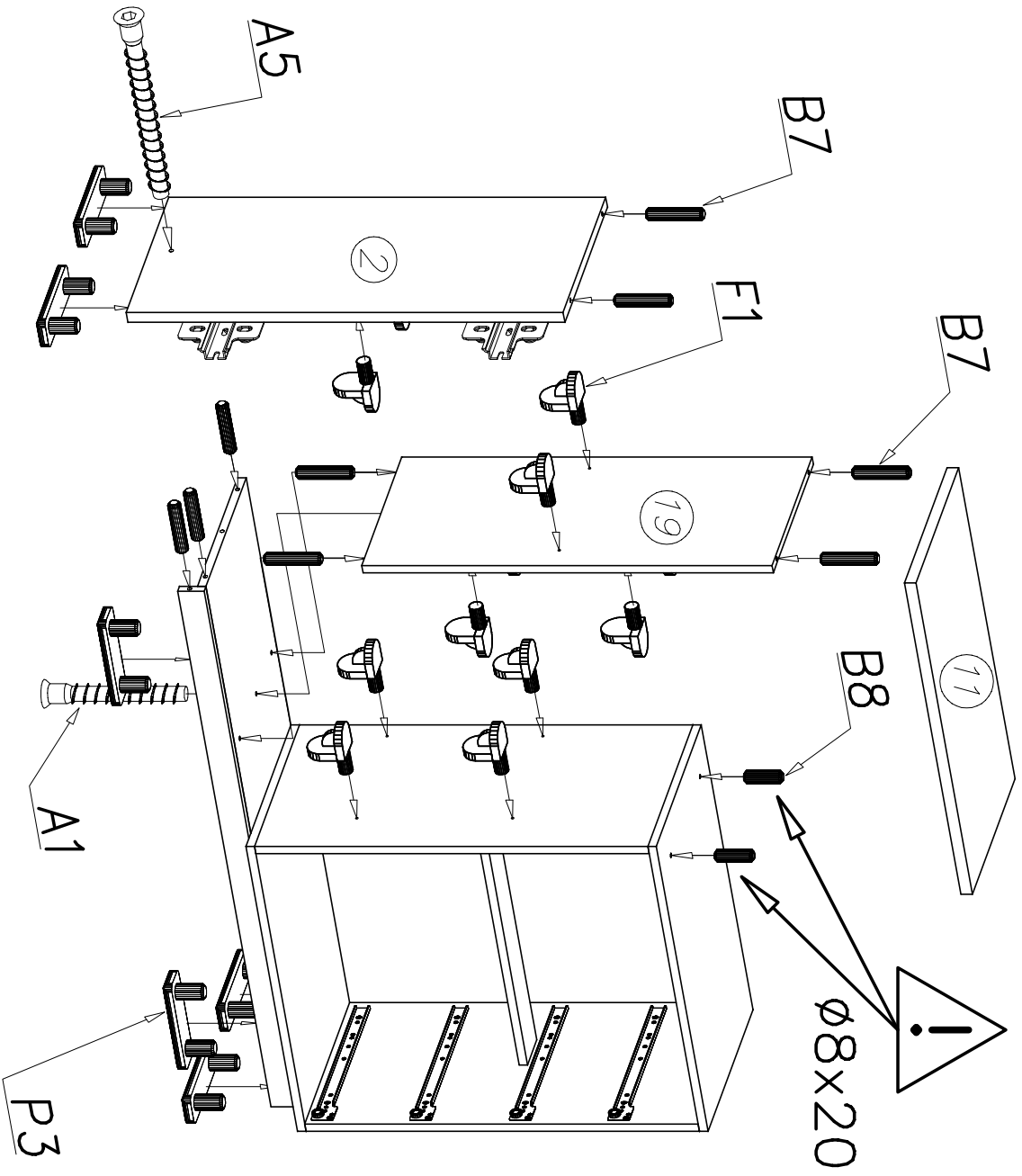
II



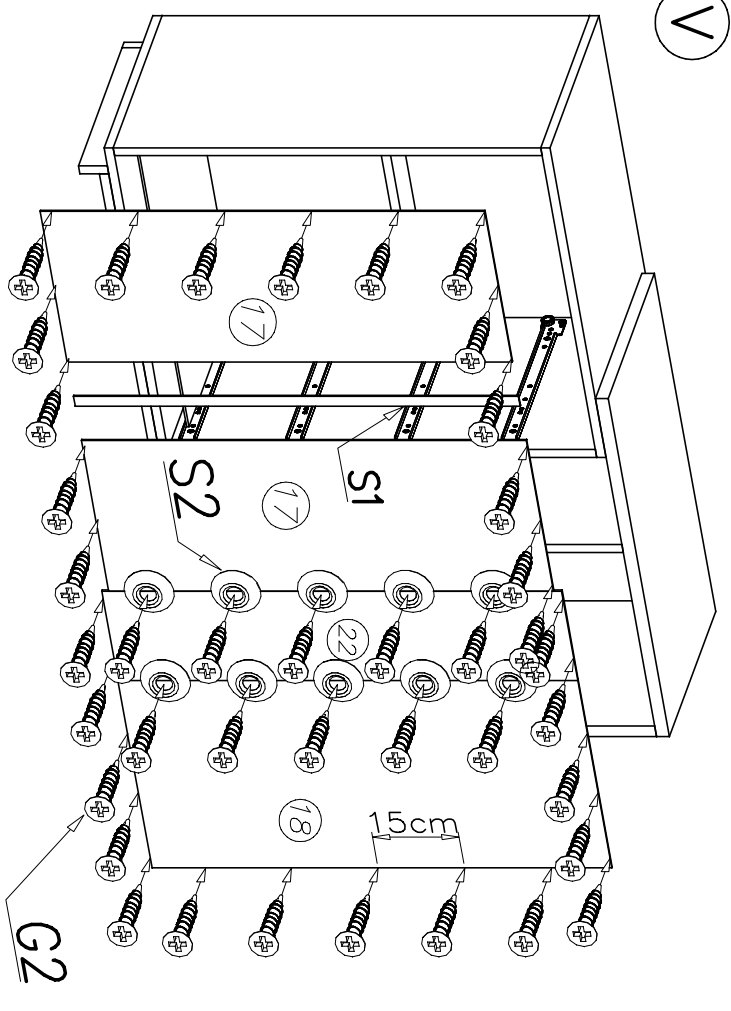
III



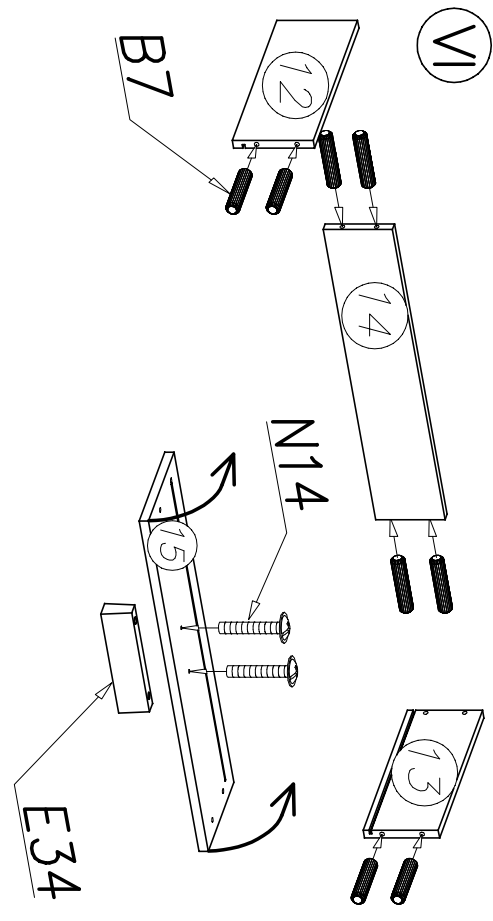
IV



V



VI



VII

