

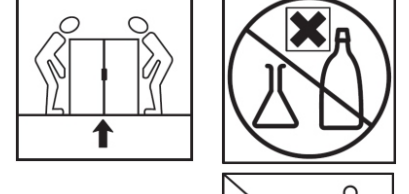
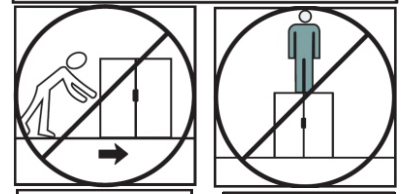
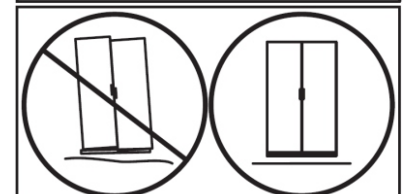
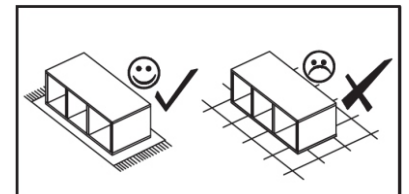
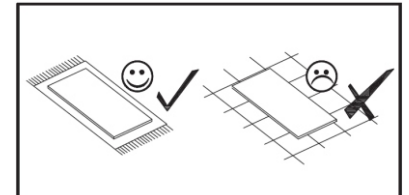
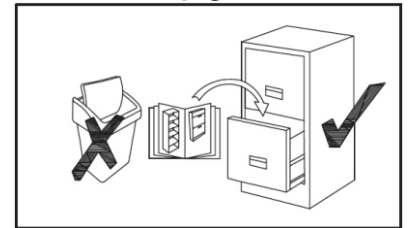
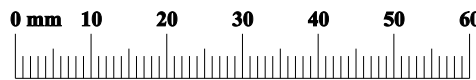
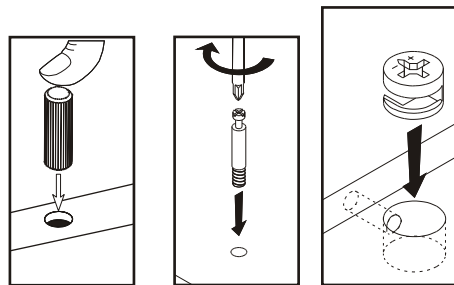
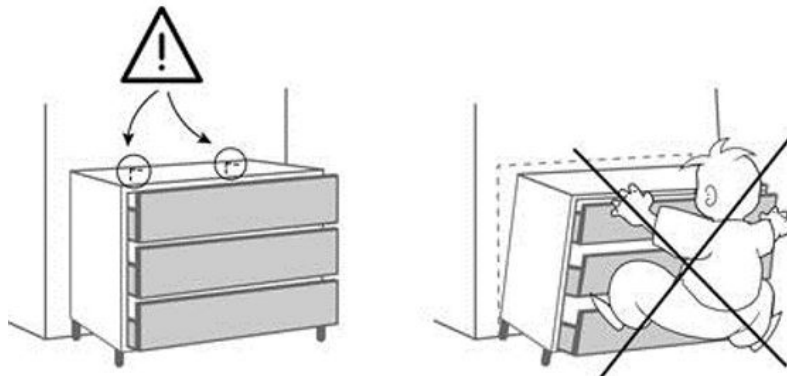
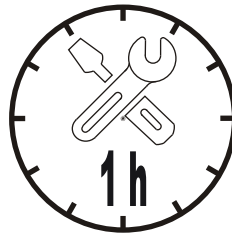
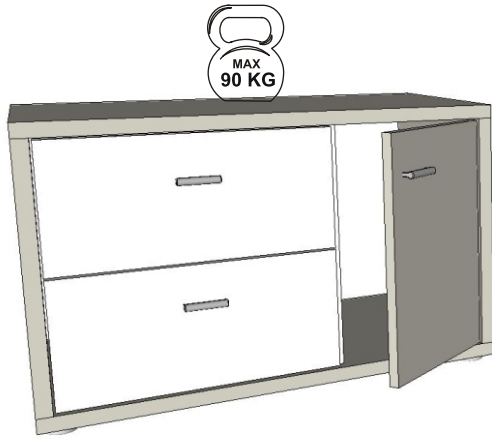
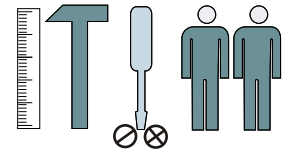


MOUNTAIN BANK

1/9

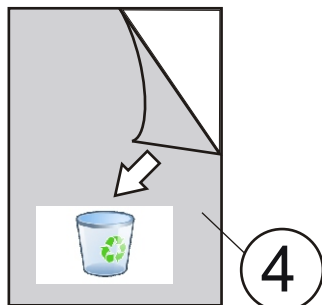
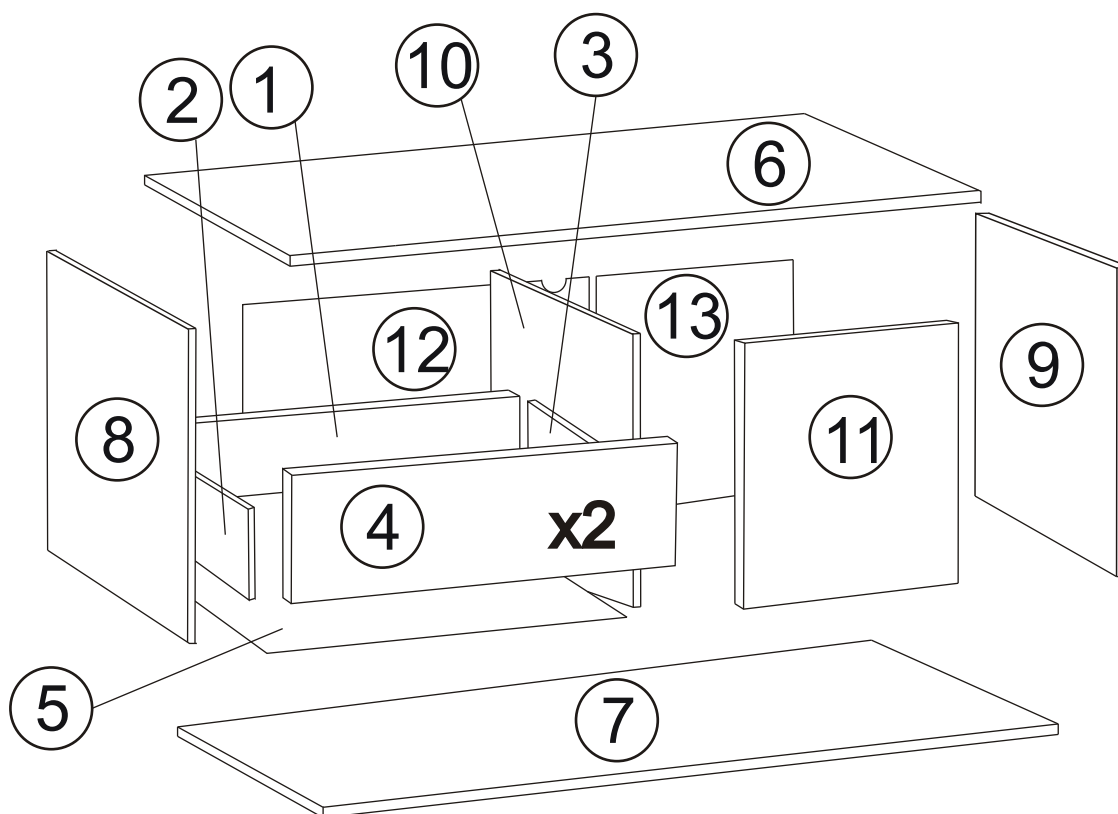


wyprodukowano dla / made for / produziert für
BEGA GRUPPE
producent: **MEBLE OKMED** POLAND



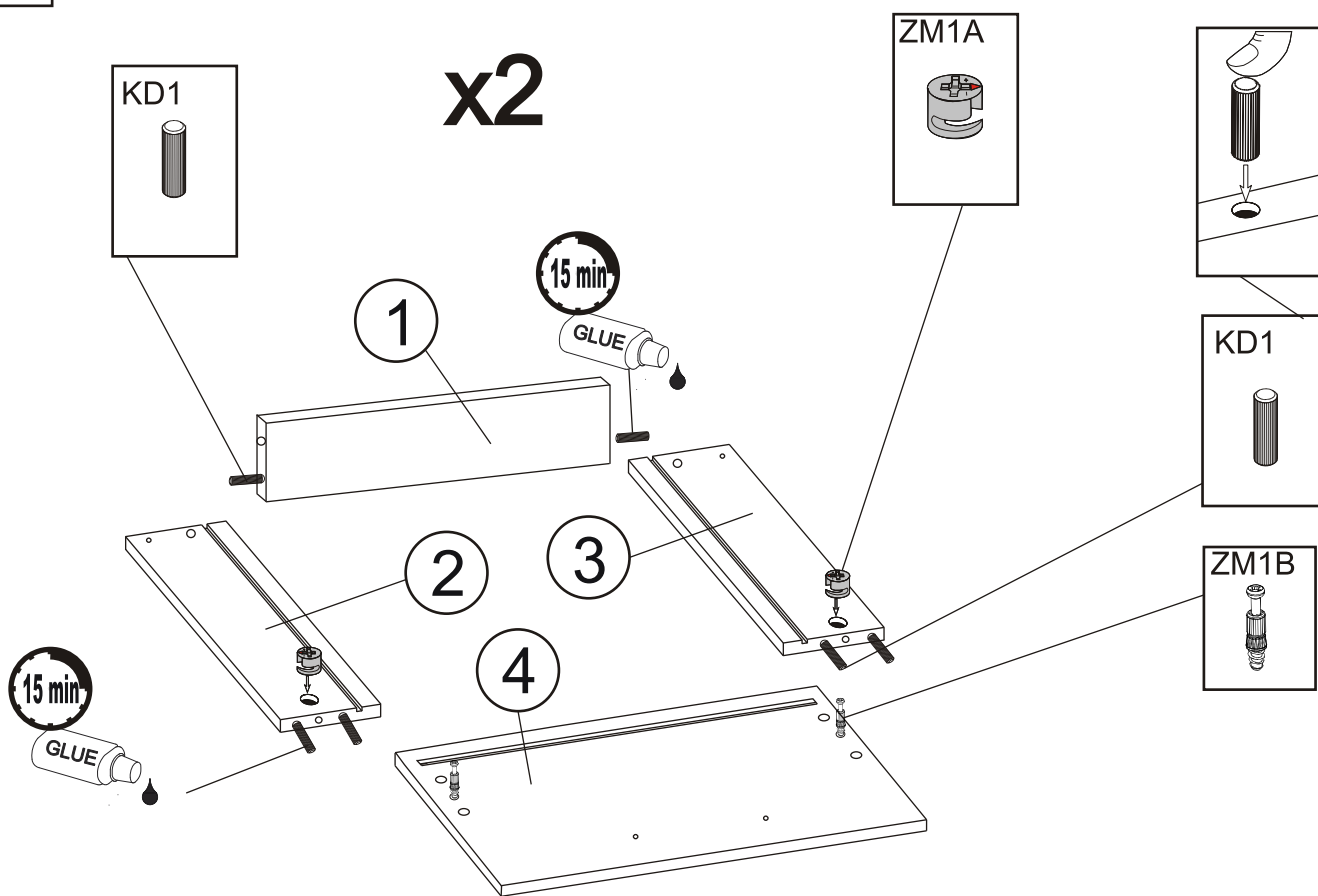
KRW1W11 x1	ZM1 Ø16 x6	KD1 x20	ZM1A x10	ZM1B x10	K1 x10	W1 3x16 x9
---------------	------------------	------------	-------------	-------------	-----------	------------------

KSK1 Glue x1	PQ1/PQ2 x2	PL1 x3	KK1 x1	SS6 x5	S1 x8	Z1P x2	Z1 x2	W4 4x13 x4	U47 x3	U26A 3,5x27 x6
--------------------	---------------	-----------	-----------	-----------	----------	-----------	----------	------------------	-----------	----------------------

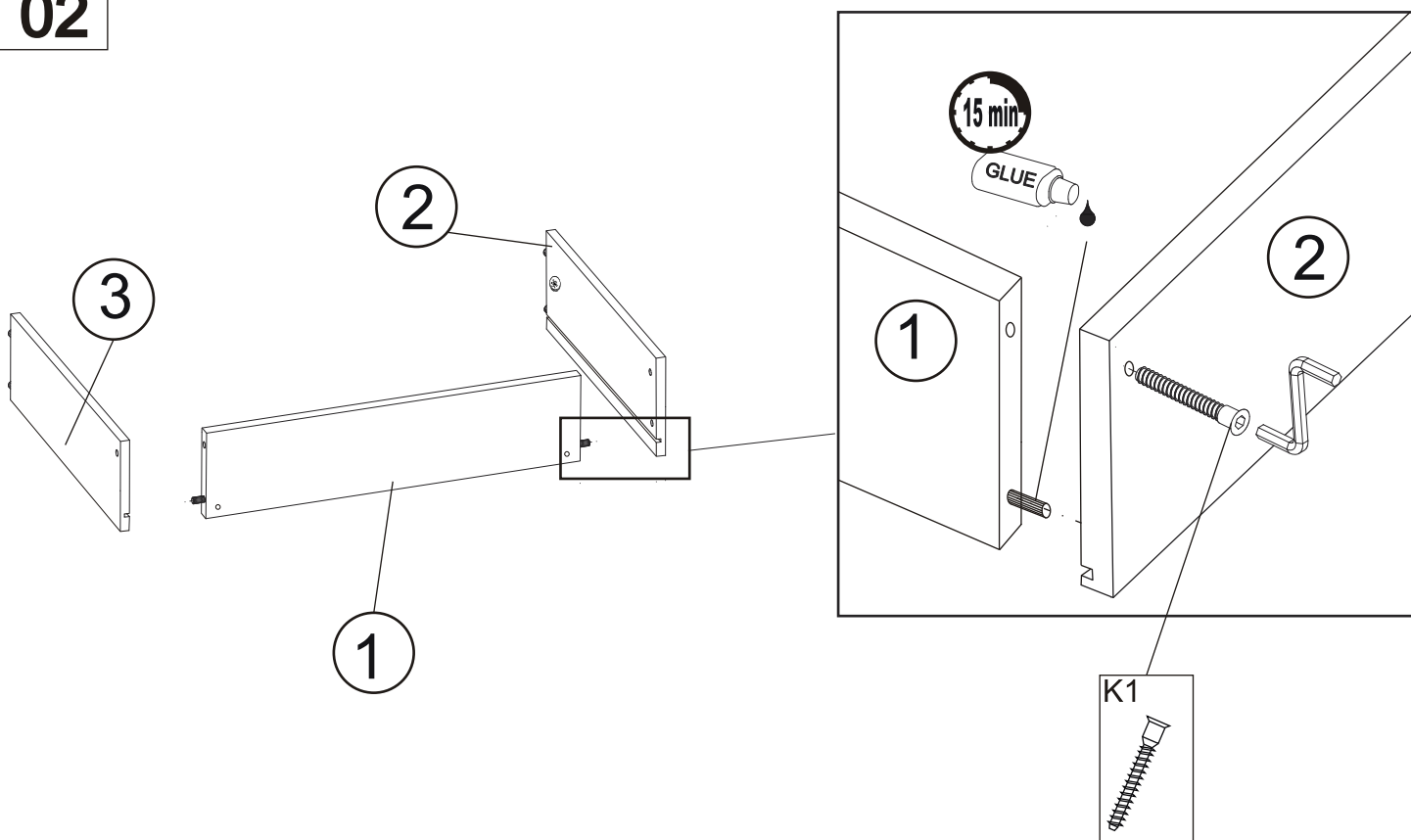


8	EL-MOU-GARŁAWKA-BOK-L-BE	22x399x391	x1
9	EL-MOU-GARŁAWKA-BOK-P-BE	22x399x391	x1
6	EL-MOU-GARŁAWKA-DACH-G-BE	22x400x700	x1
7	EL-MOU-GARŁAWKA-DACH-D-BE	22x400x700	x1
11	EL-MOU-GARŁAWKA-FRO-P-BE	16x242x385	x1
10	EL-MOU-GARŁAWKA-PRZEG-BI	16x363x391	x1
2	EL-MOU-GARŁAWKA-BOCZ-SZ-L-BI	16x110x310	x2
3	EL-MOU-GARŁAWKA-BOCZ-SZ-P-BI	16x110x310	x2
1	EL-MOU-GARŁAWKA-TYLNIK-SZ-BI	16x97x362	x2
4	EL-MOU-GARŁAWKA-FRO-SZ-BI SQ	16x405x191	x2
5	EL-MOU-GARŁAWKA-DNO-SZ-HDF-BI	3x315x376	x2
13	EL-MOU-GARŁAWKA-PLECY-HDF-P-BI	3x254x407	x1
12	EL-MOU-GARŁAWKA-PLECY-HDF-L-BI	3x418x407	x1

01



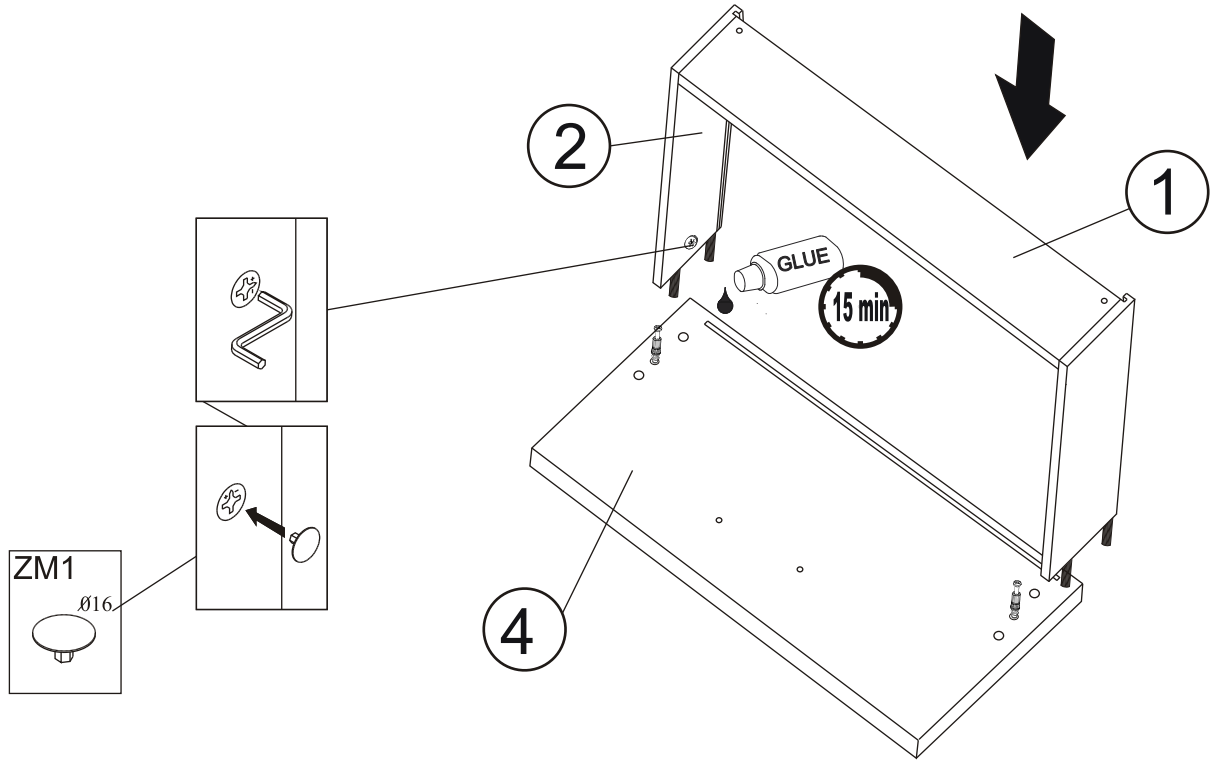
02



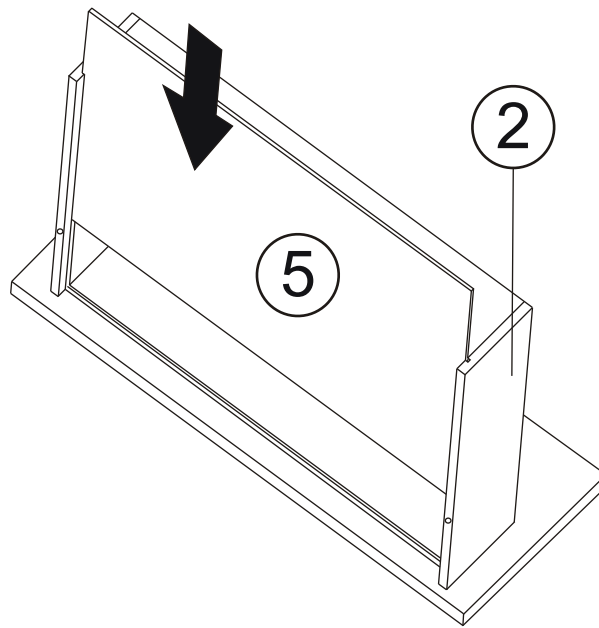
MOUNTAIN BANK

4/9

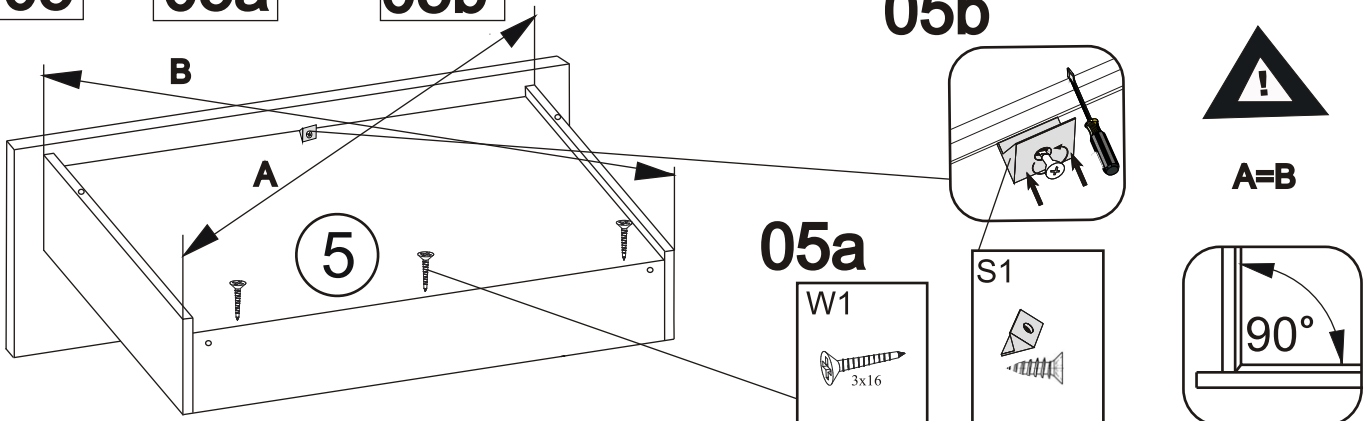
03



04



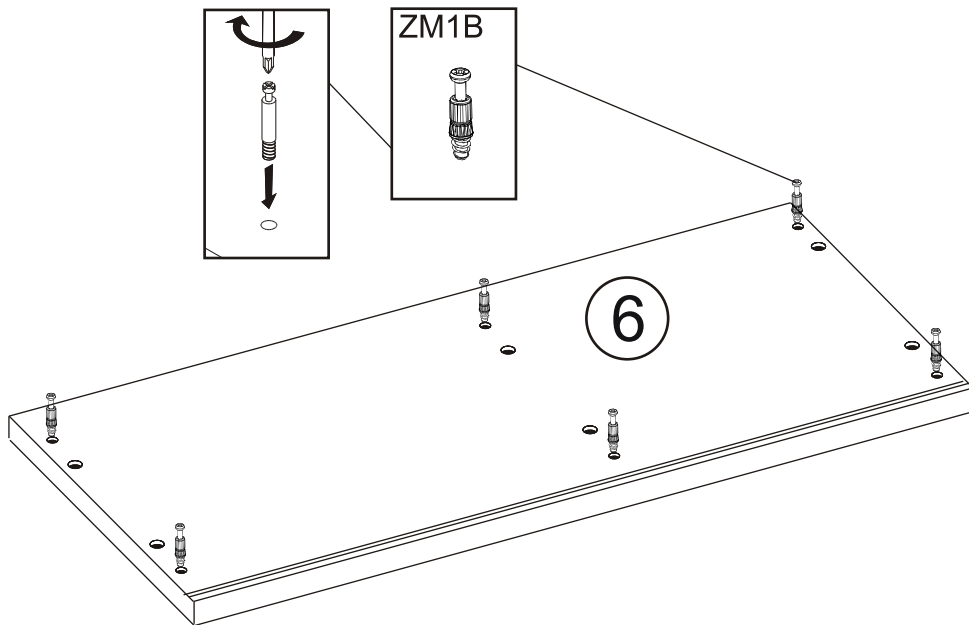
05 → 05a → 05b



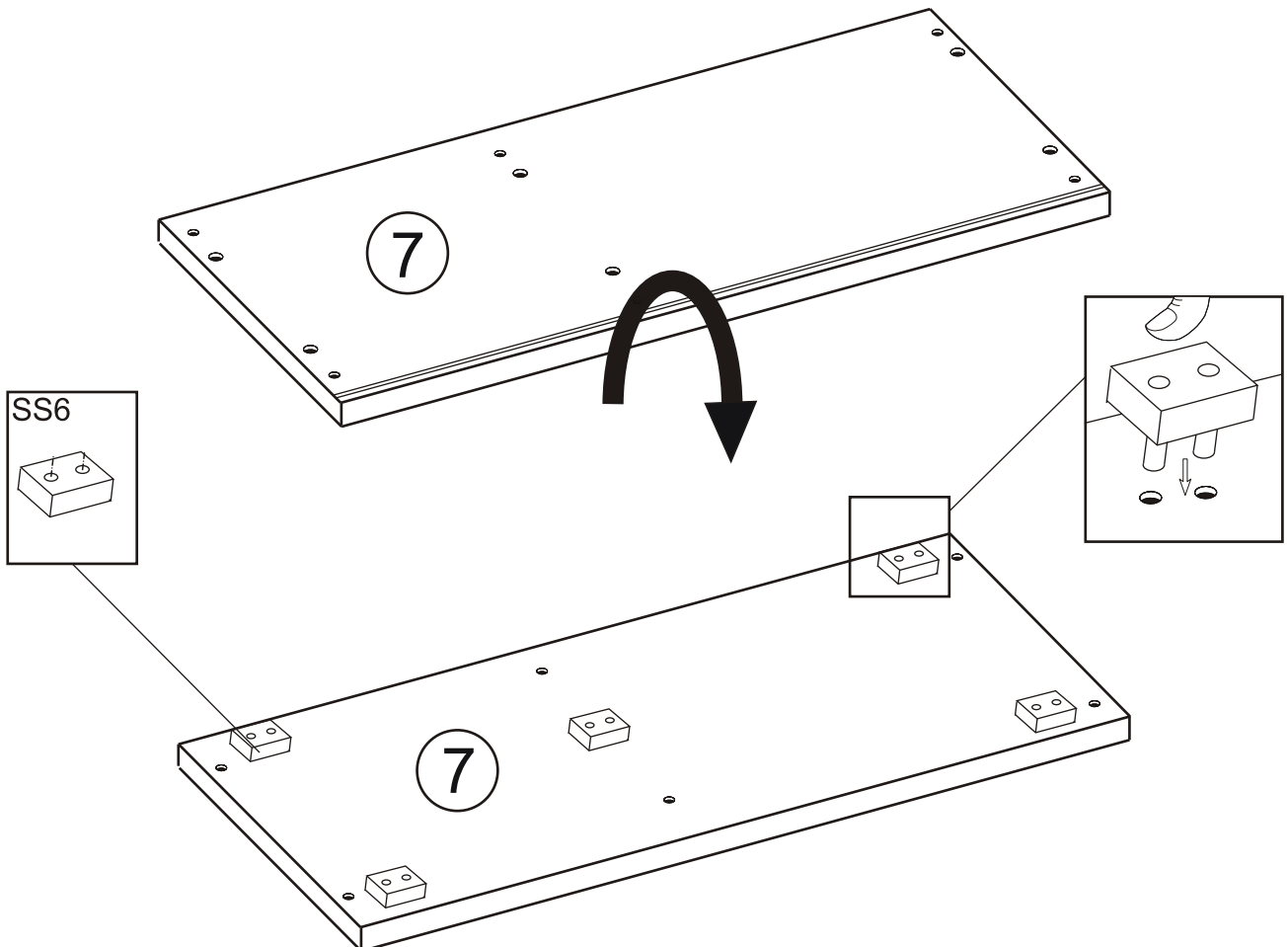
MOUNTAIN BANK

5/9

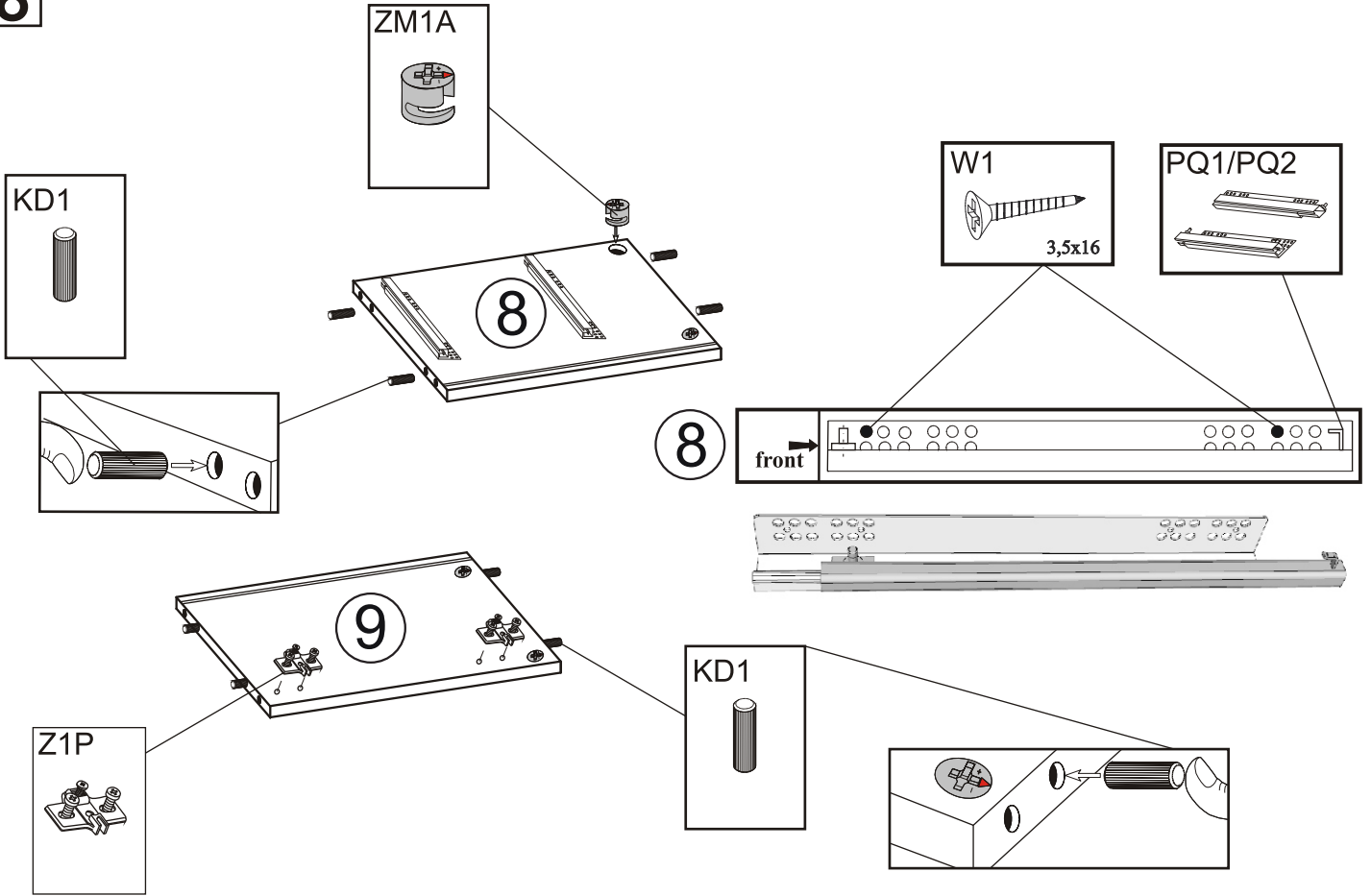
06



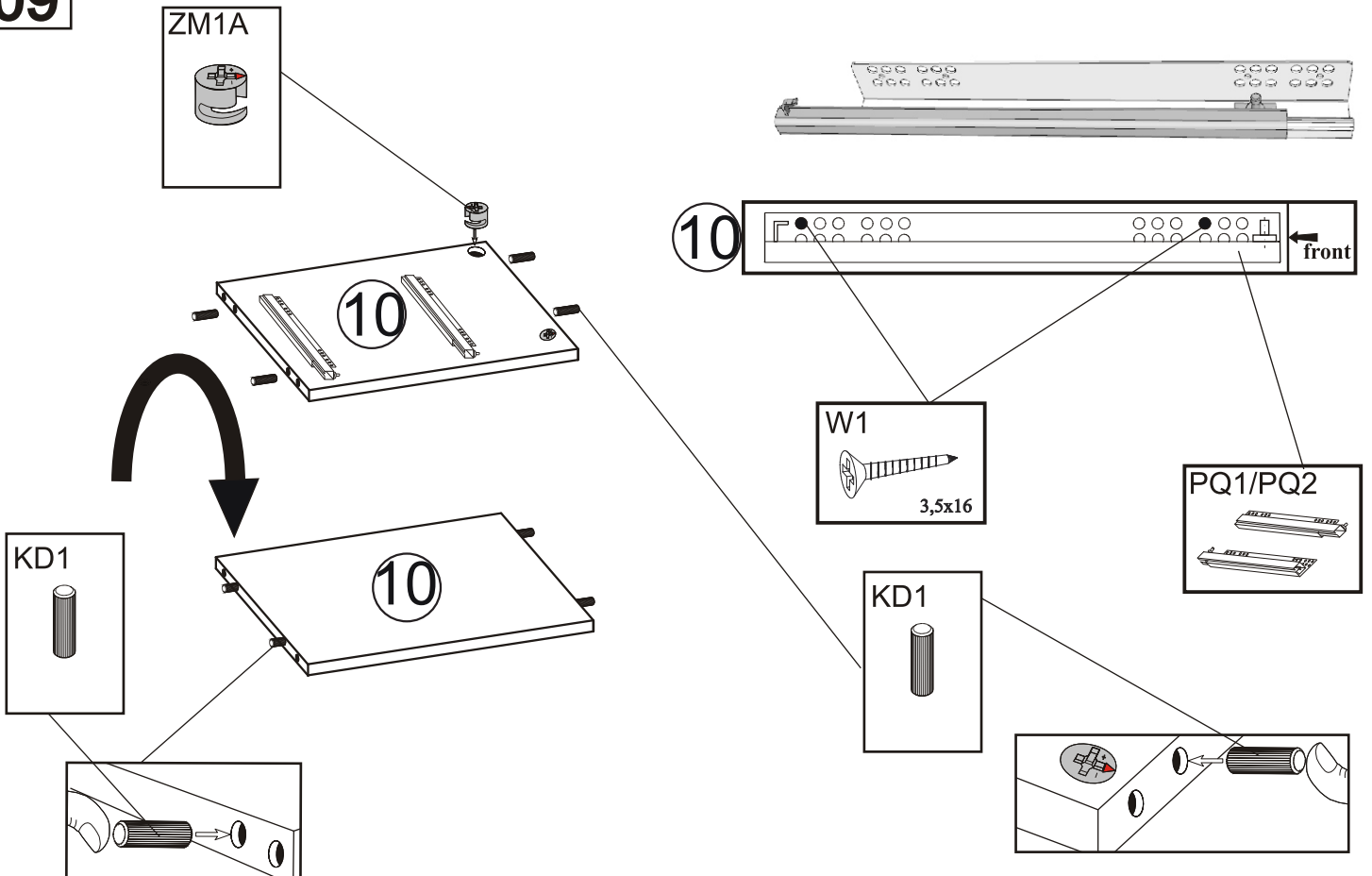
07



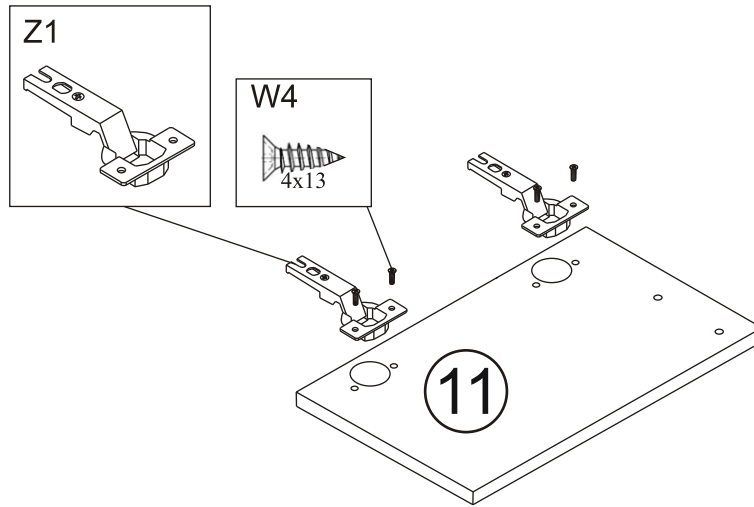
08



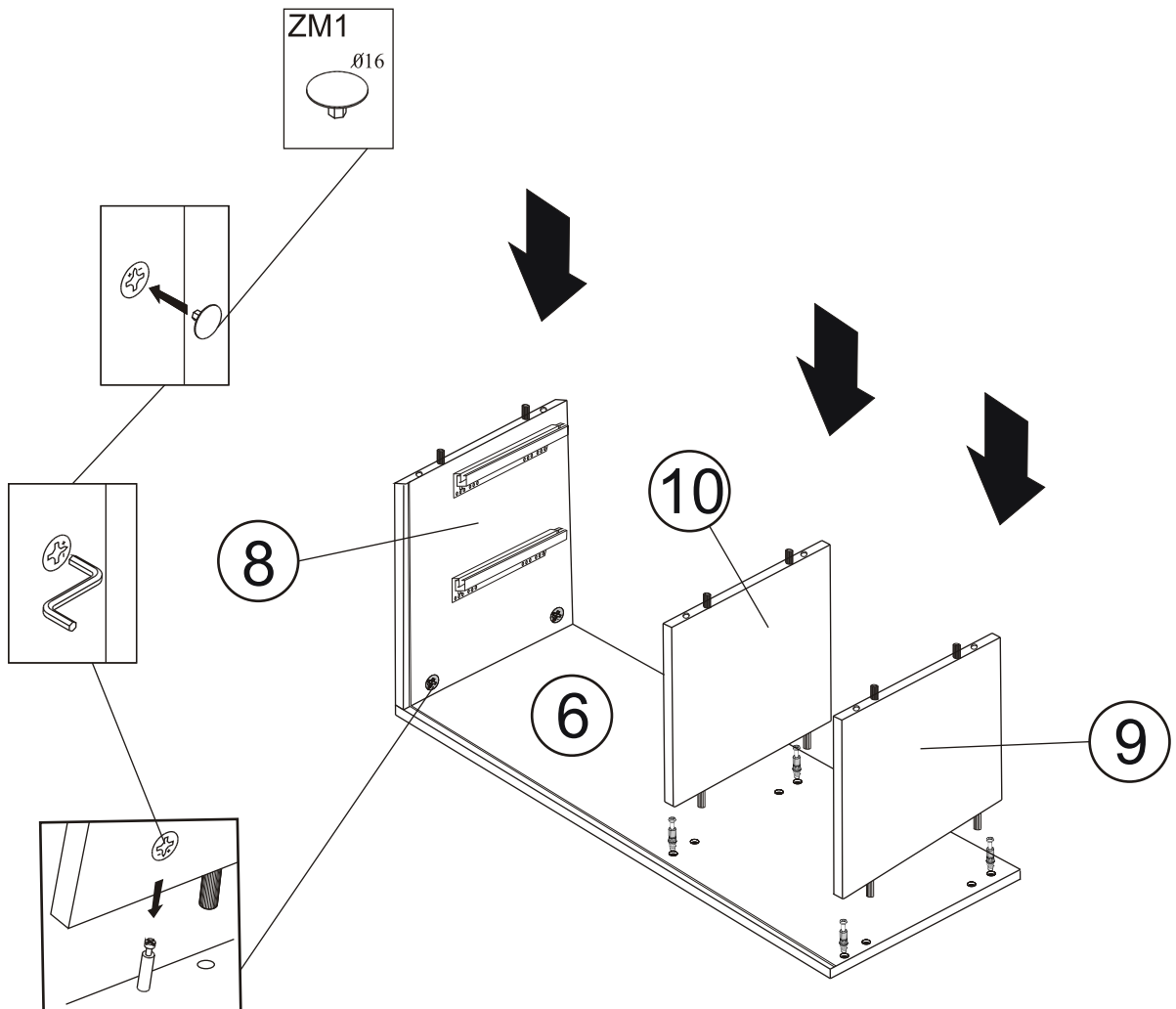
09



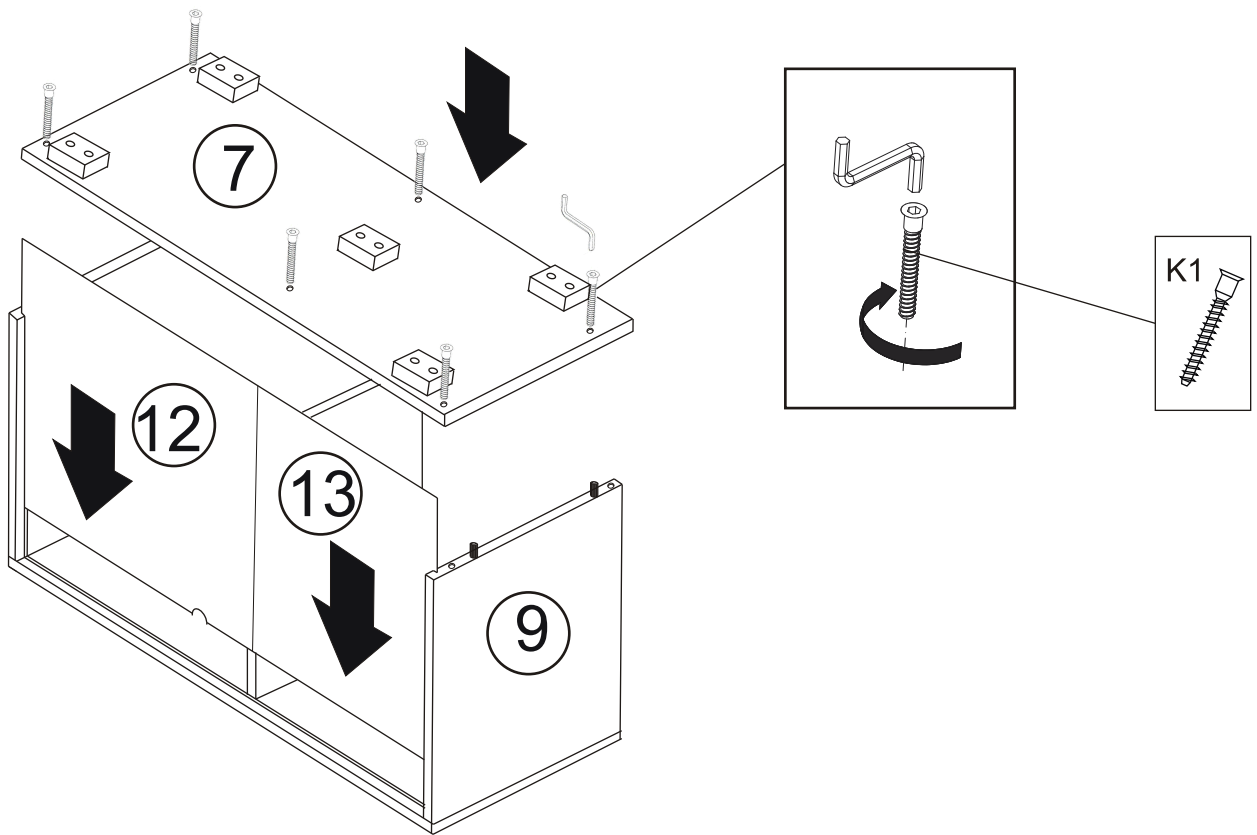
10



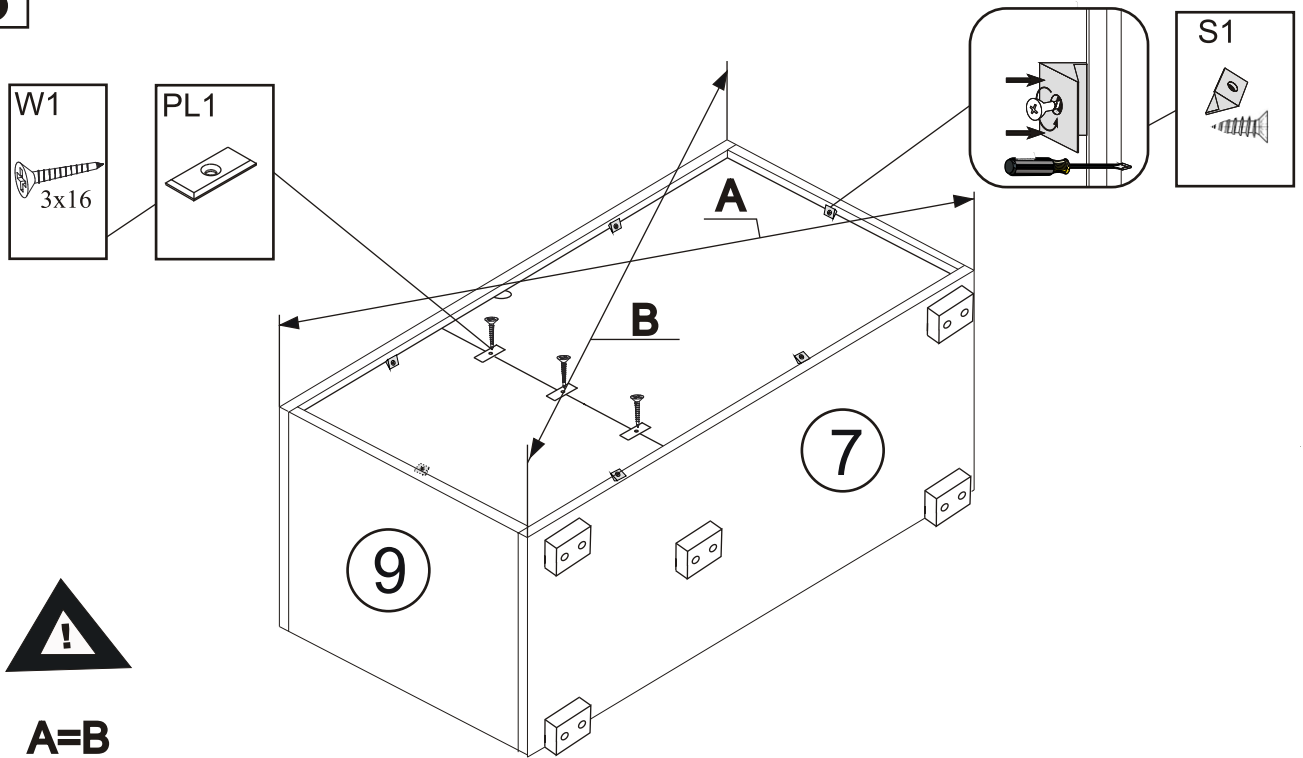
11



12



13



MOUNTAIN BANK

14

