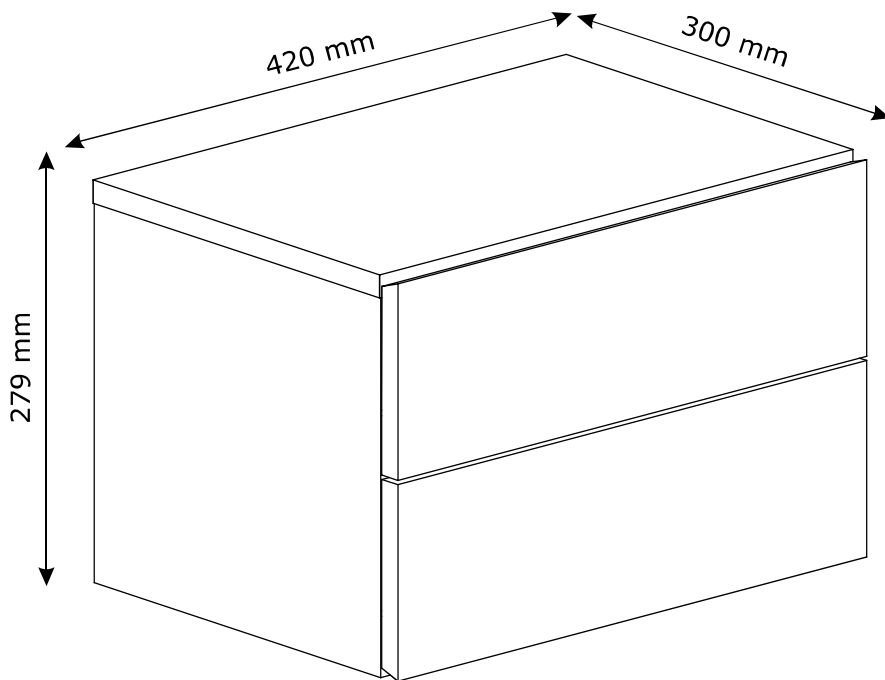
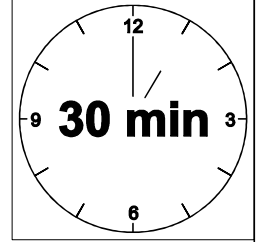
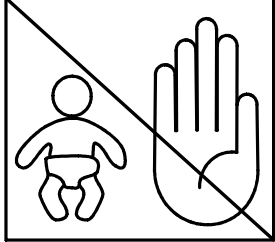
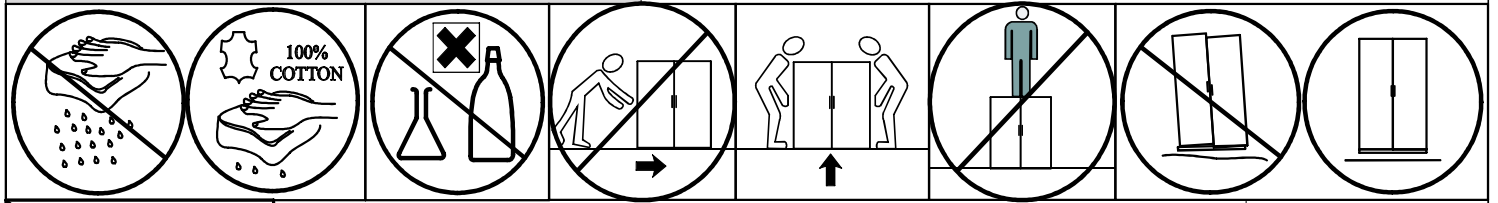
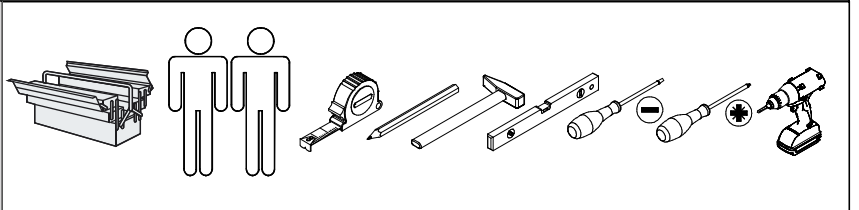
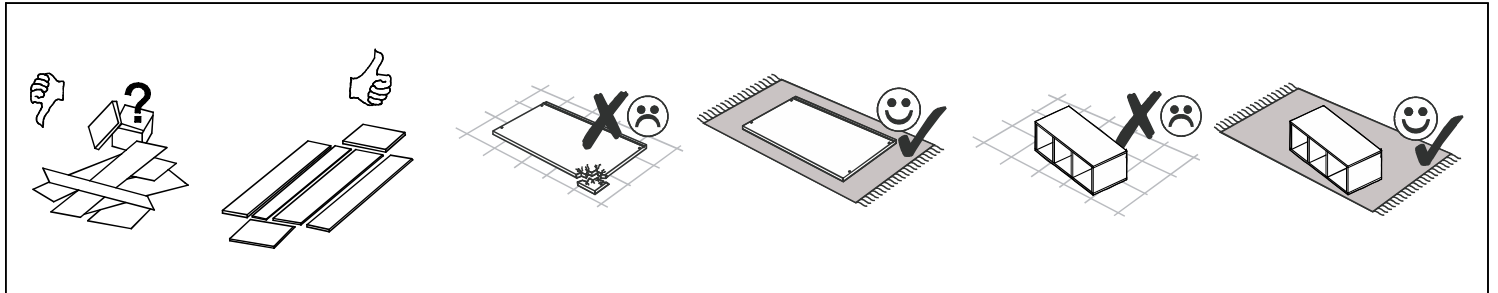


Cabo Nachtkommode 2 Schubkästen Art. 38-779-17

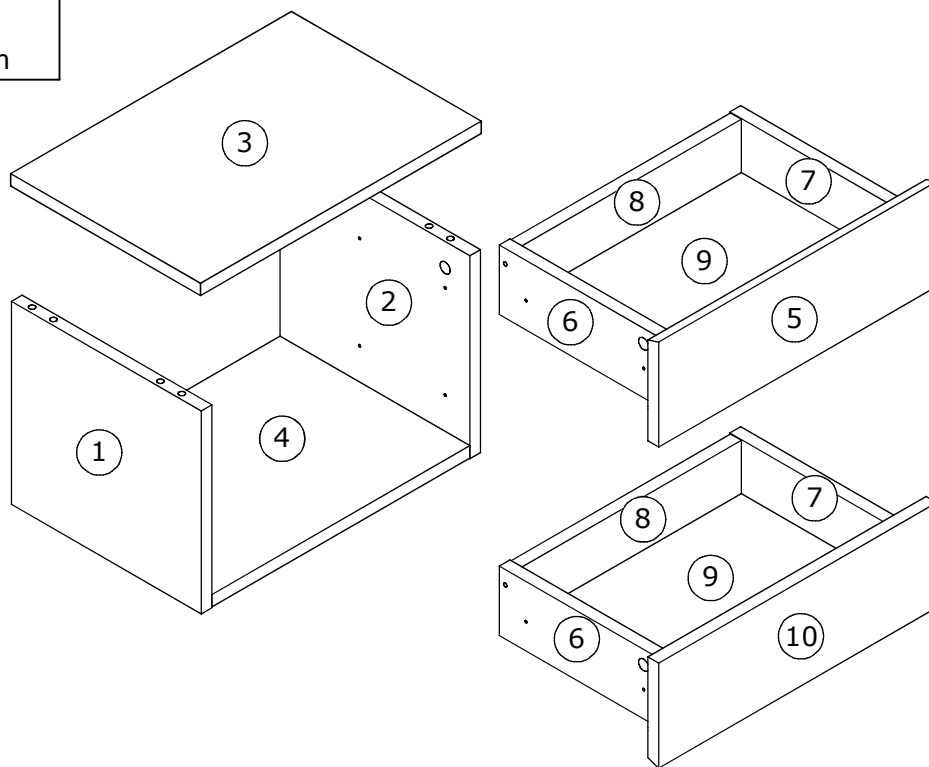
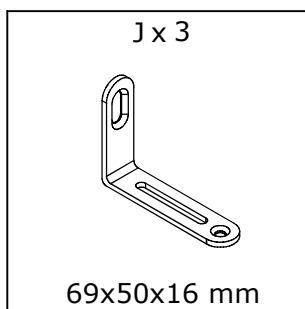
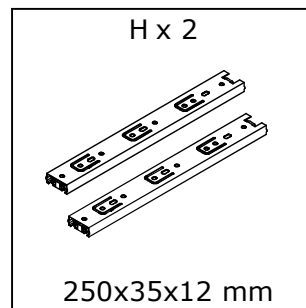
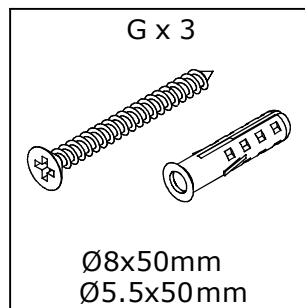
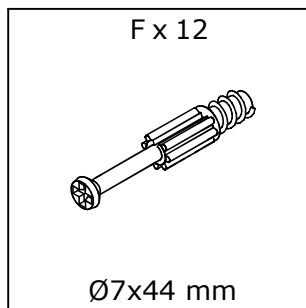
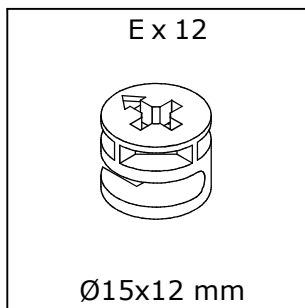
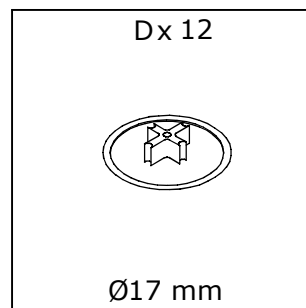
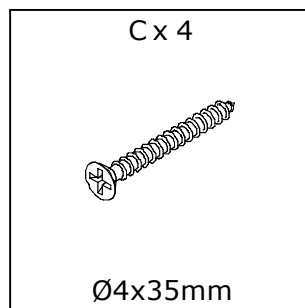
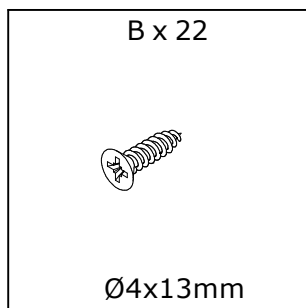
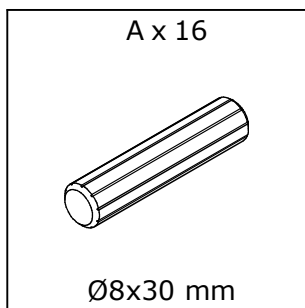


POL POWER Sp. Z o. o

ul. Poznanska, 113 A
PL 62-052 Koroniki

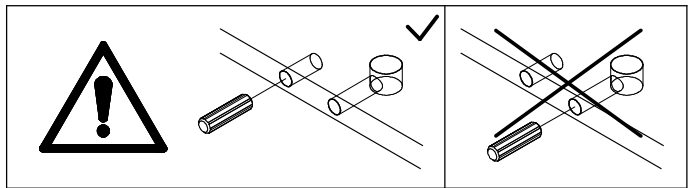
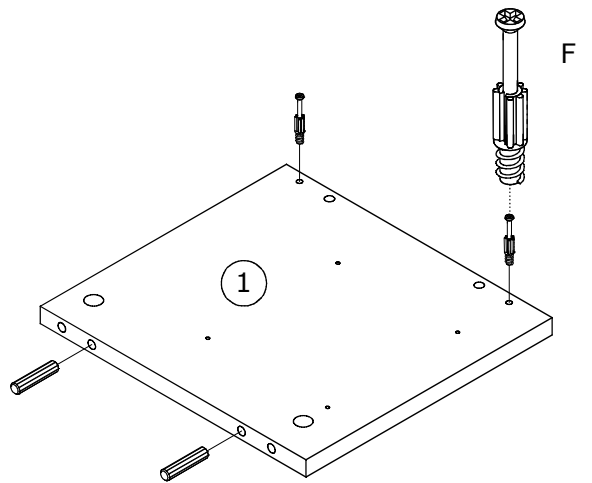
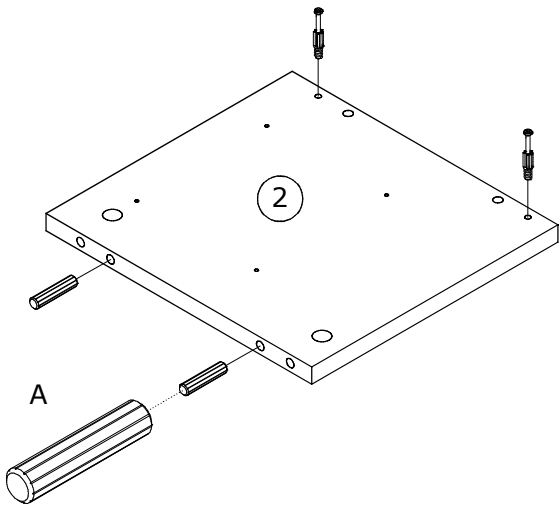
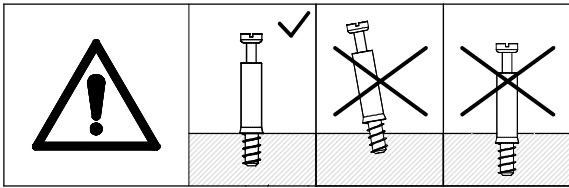
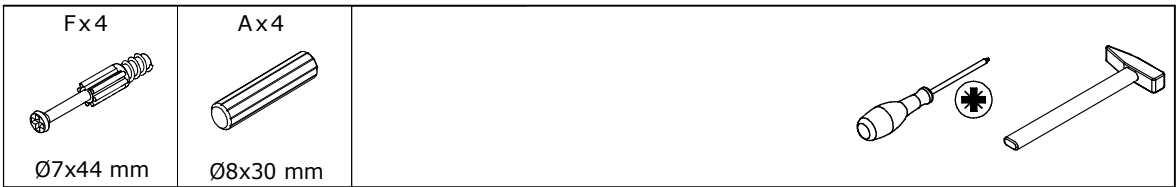
POL POWER

Verkaufsbüro Deutschland
Pyrmonter Straße 78
D-32676 Lügde

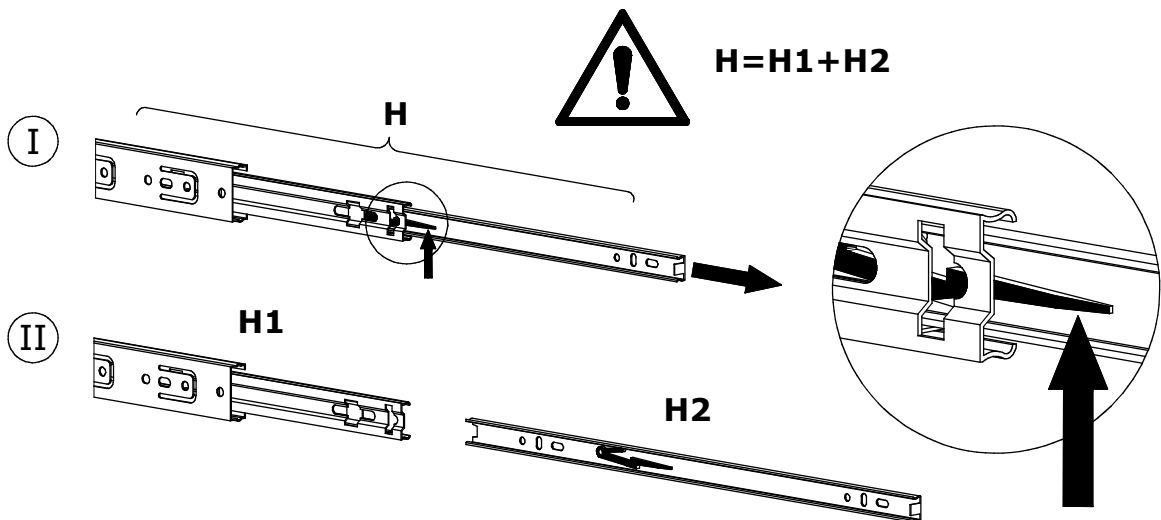


Pos.	L	B	S	N	Colli
1	263	284	16	1	1/1
2	263	284	16	1	1/1
3	420	284	16	1	1/1
4	386	284	16	1	1/1
5	416	136	16	1	1/1
6	250	90	16	2	1/1
7	250	90	16	2	1/1
8	329	89	16	2	1/1
9	343	247	3	2	1/1
10	416	136	16	1	1/1

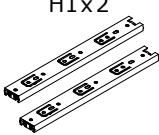
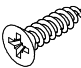
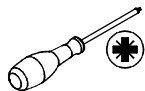
1

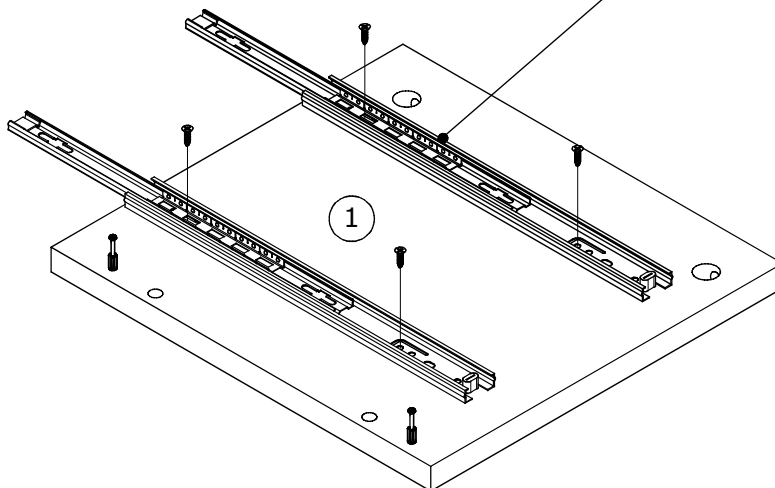
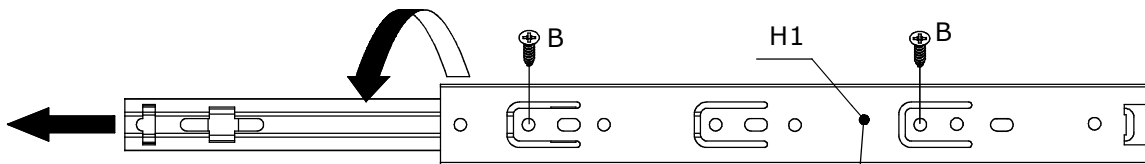
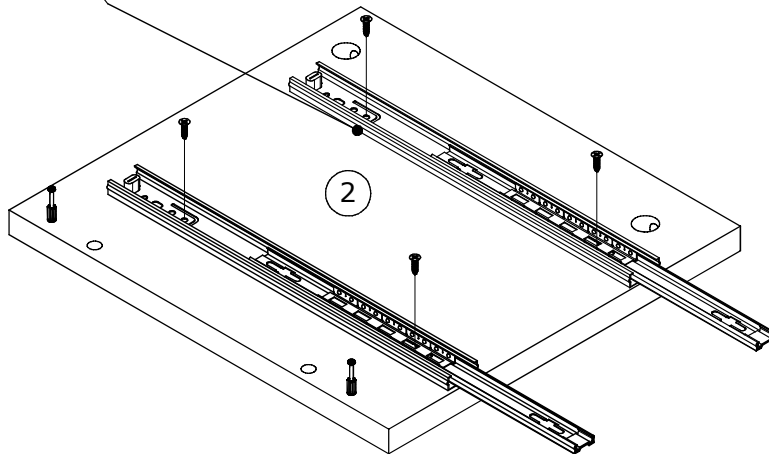
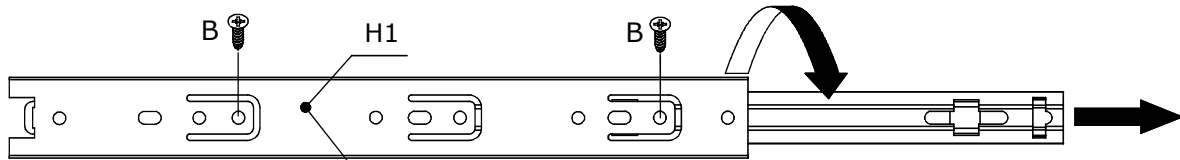


2

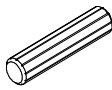

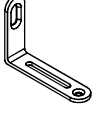
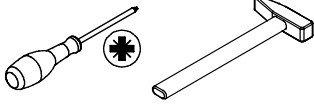


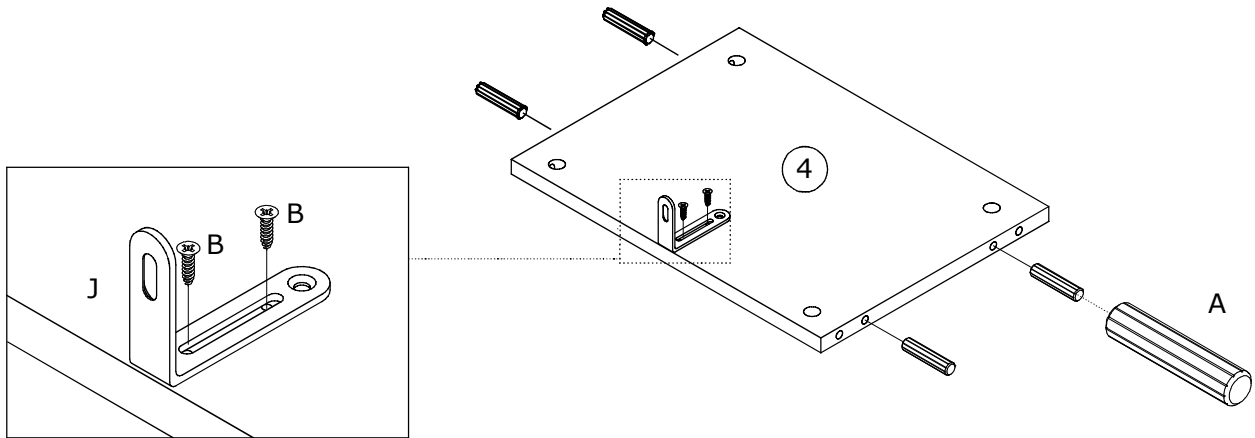
3

<p>H1x2 250x35x12 mm</p> 	<p>Bx8 Ø4x13 mm</p> 	
--	---	---



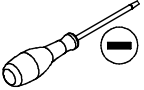


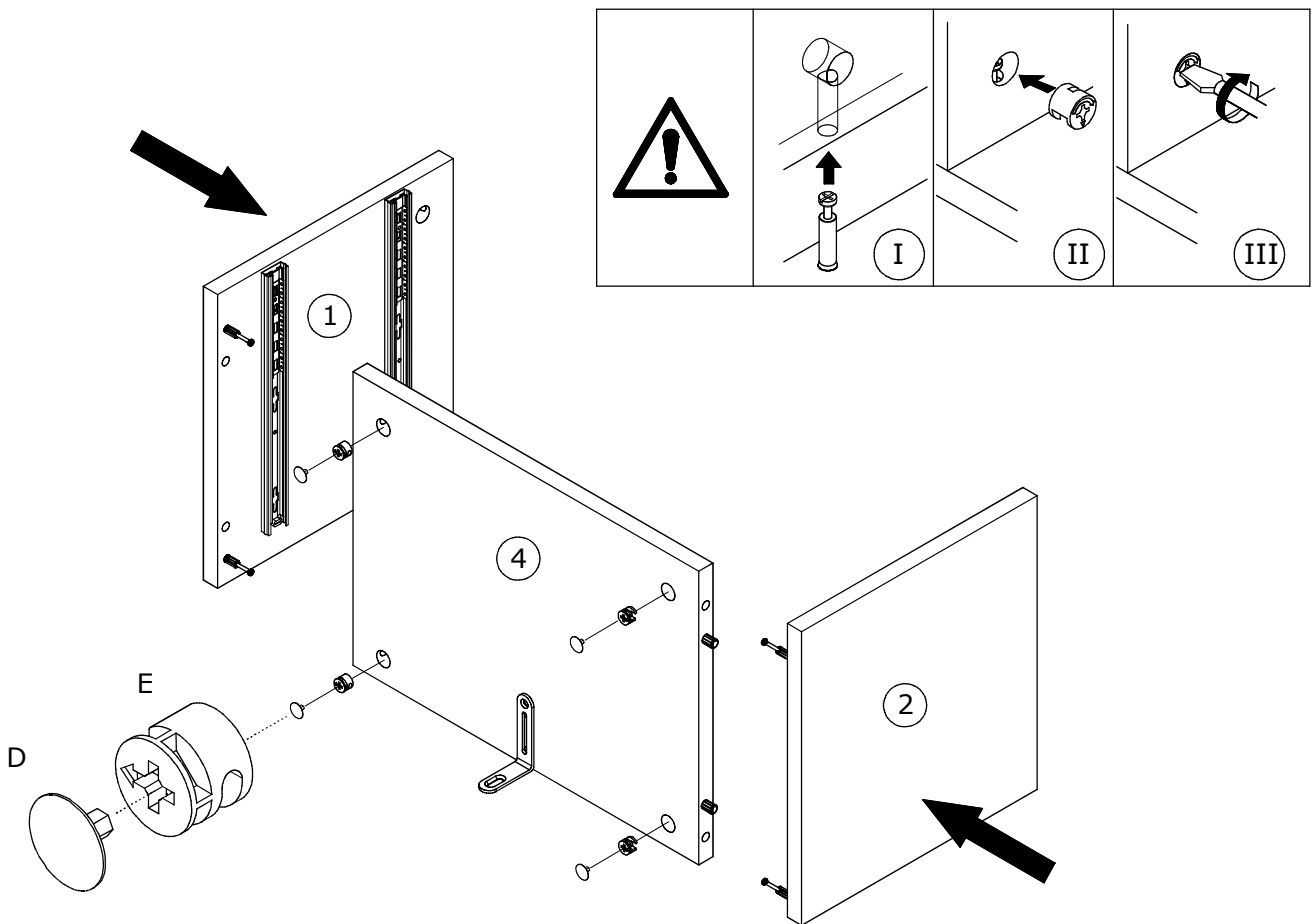
4

Ax4  Ø8x30 mm	Bx2  Ø4x13 mm	Jx1  69x50x16 mm	
--	--	---	---

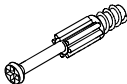

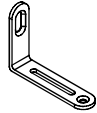
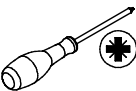


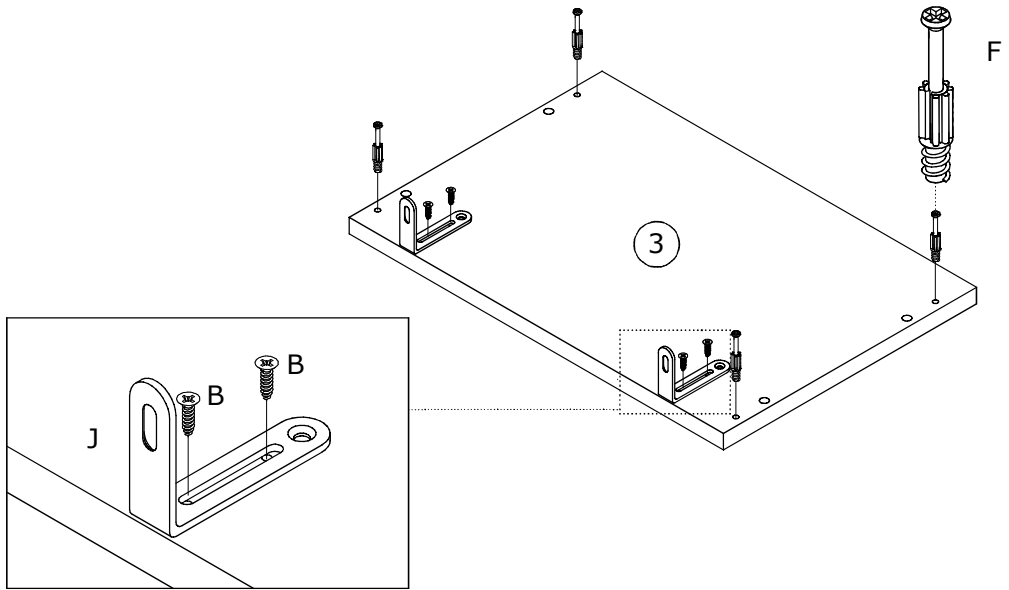
5

Ex4  Ø15x12 mm	Dx4  Ø17 mm	
--	---	--



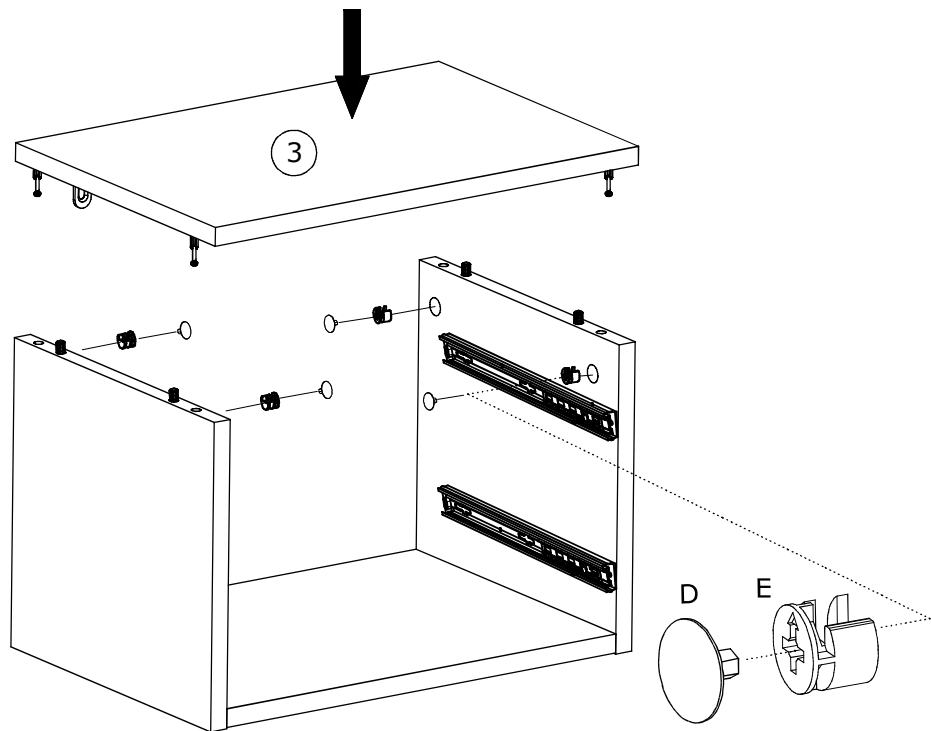
6

Fx4  Ø7x44 mm	Bx4  Ø4x13 mm	J x 2  69x50x16 mm	
--	--	---	---

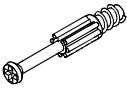
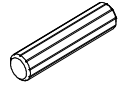
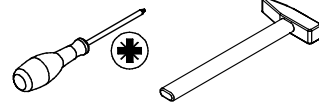


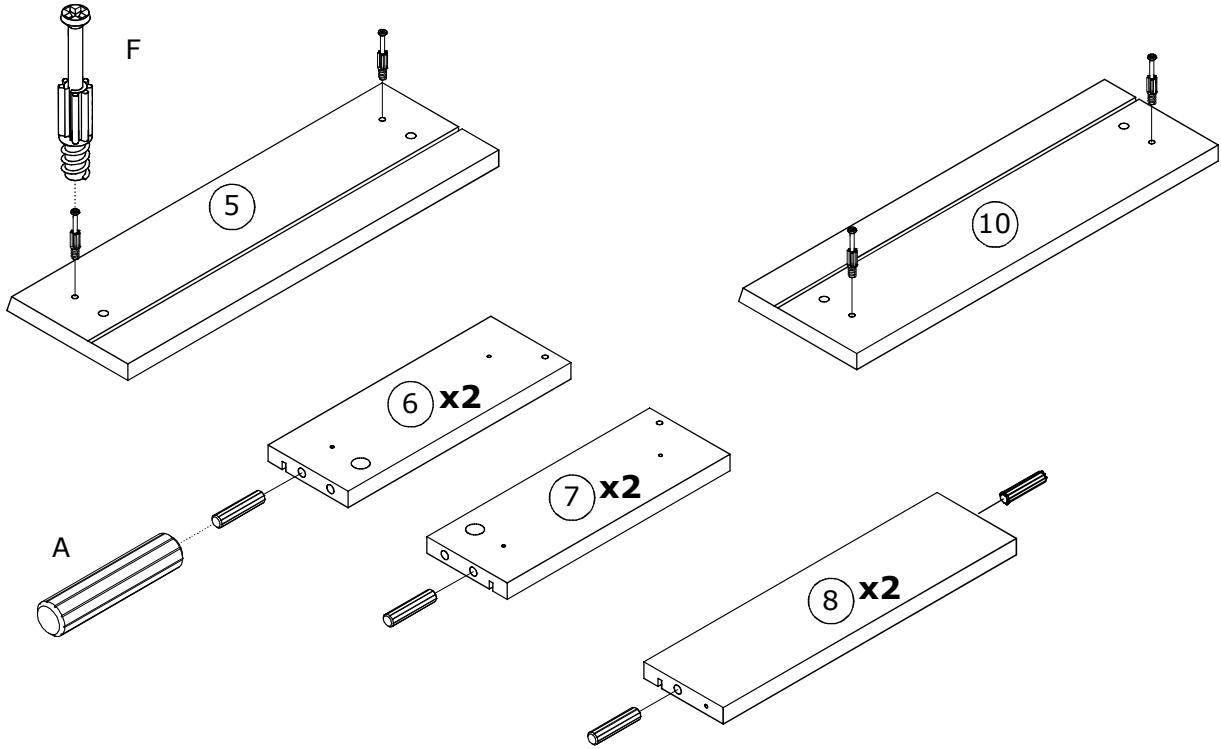
7

Ex4  Ø15x12 mm	Dx4  Ø17 mm	
---	--	---



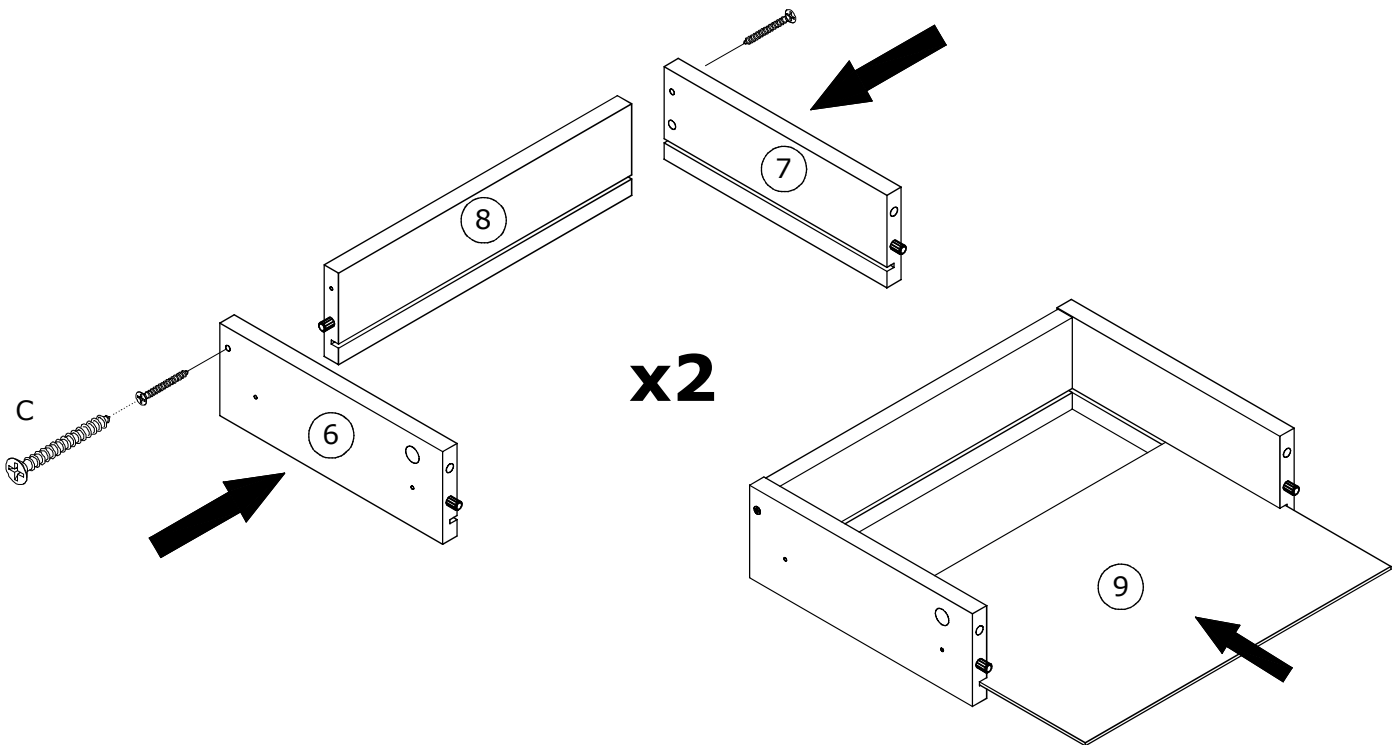
8

Fx4  Ø7x44 mm	Ax8  Ø8x30 mm	
--	--	---



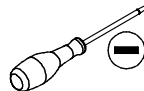


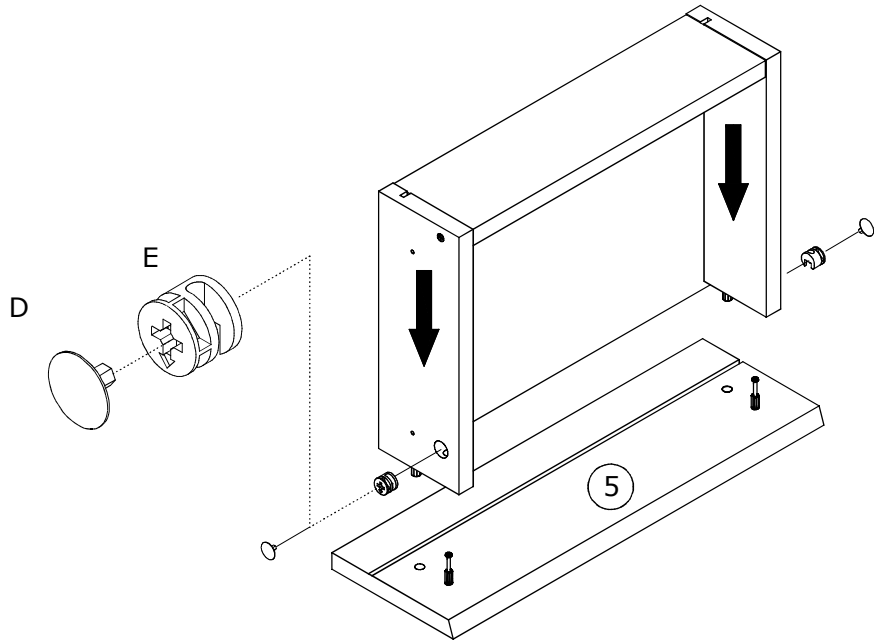
9

Cx4  Ø4x35 mm	
--	---



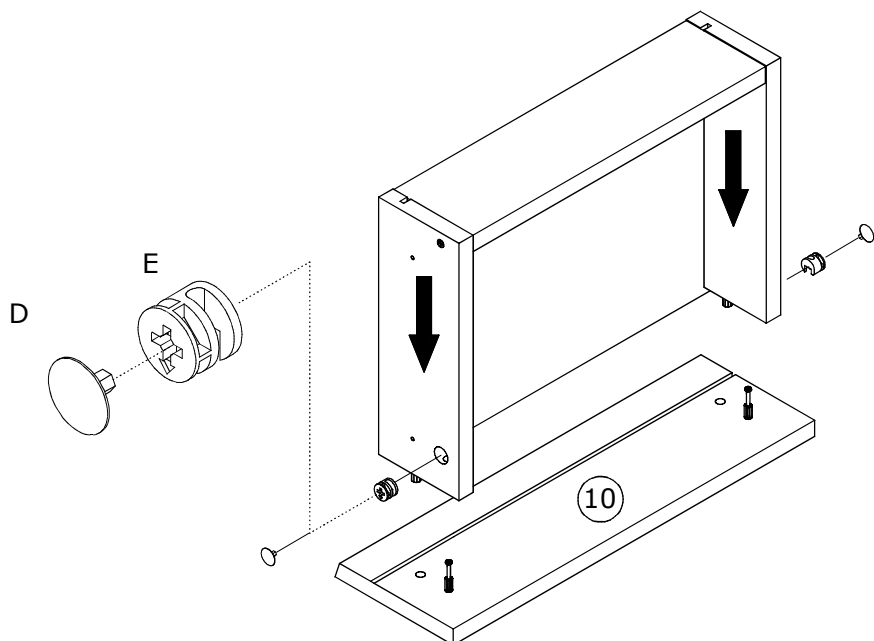
10

Ex2  Ø15x12 mm	Dx2  Ø17 mm	
---	--	---


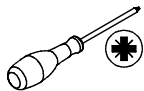


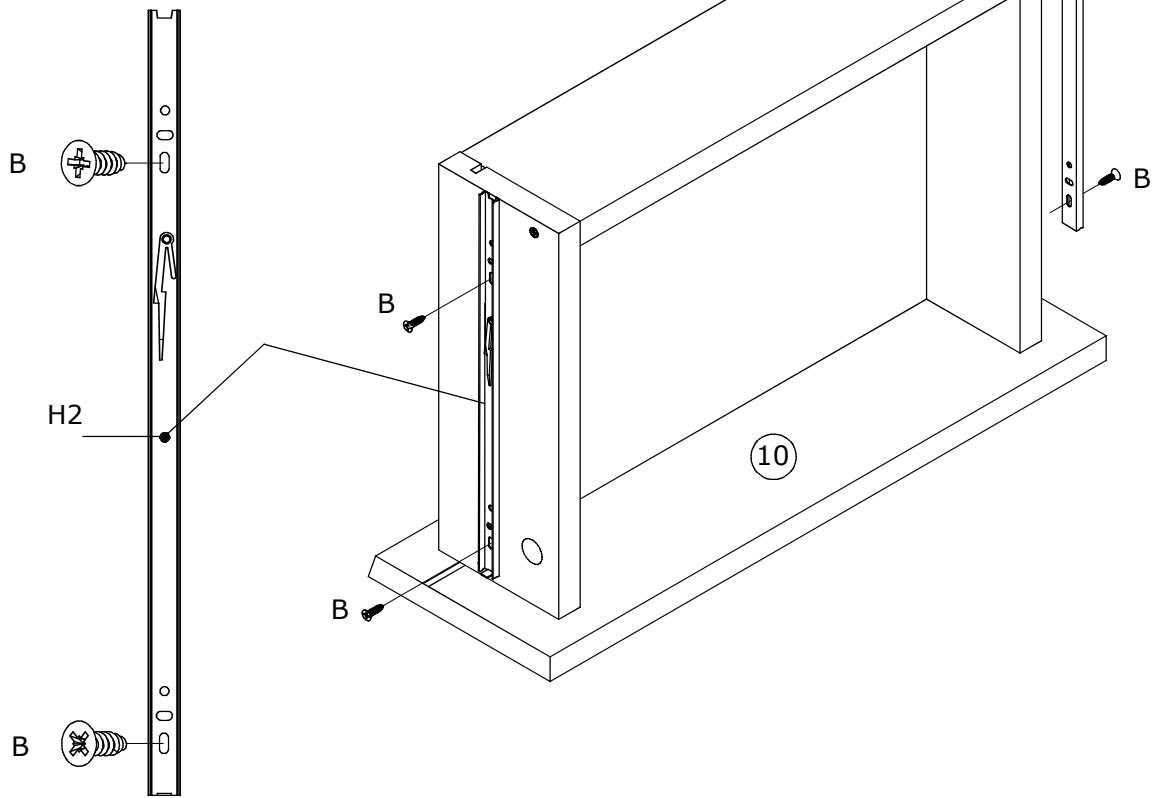
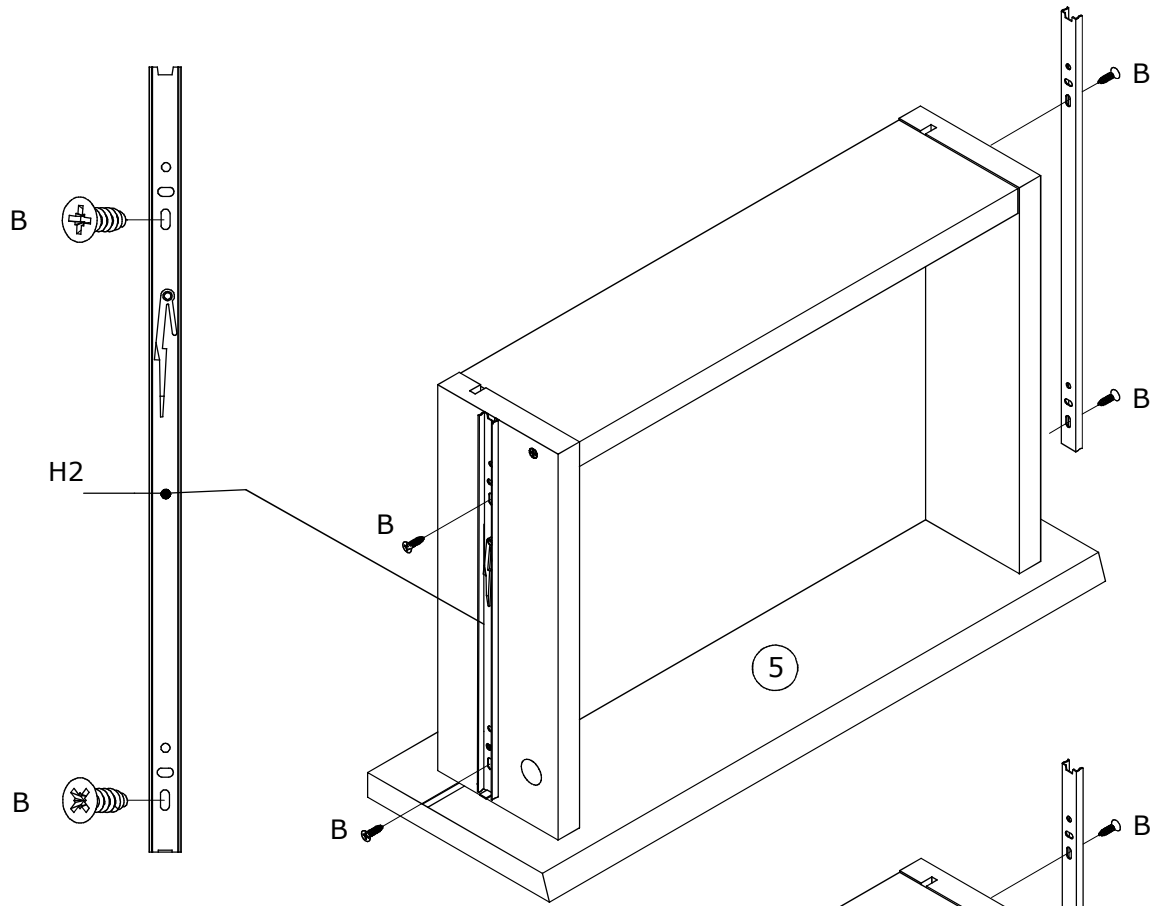
11

Ex2  Ø15x12 mm	Dx2  Ø17 mm	
---	--	---

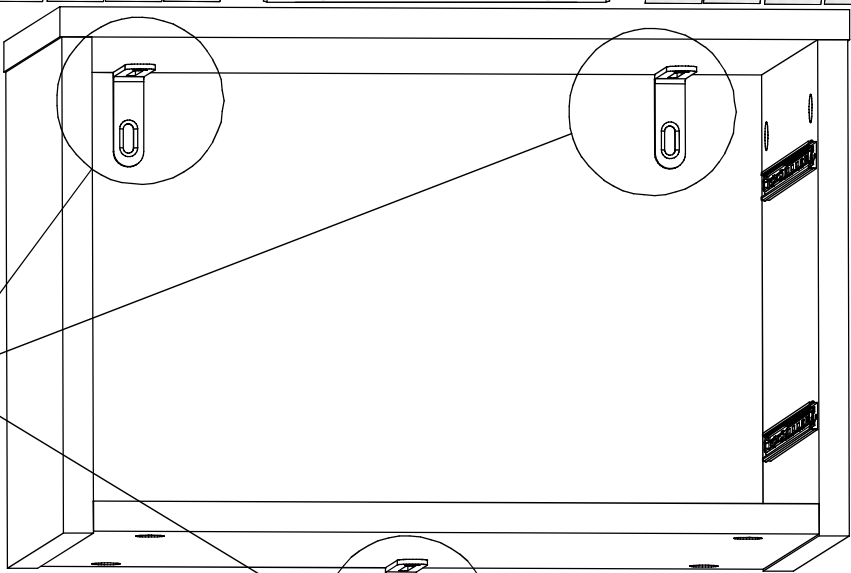
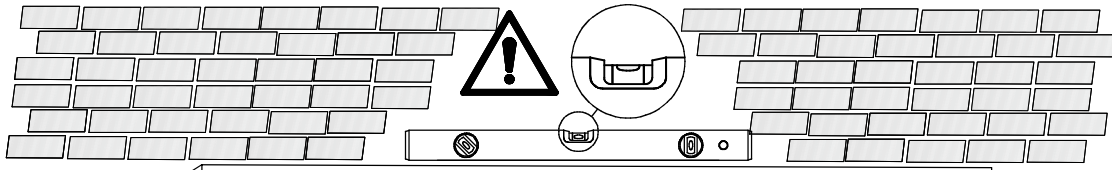
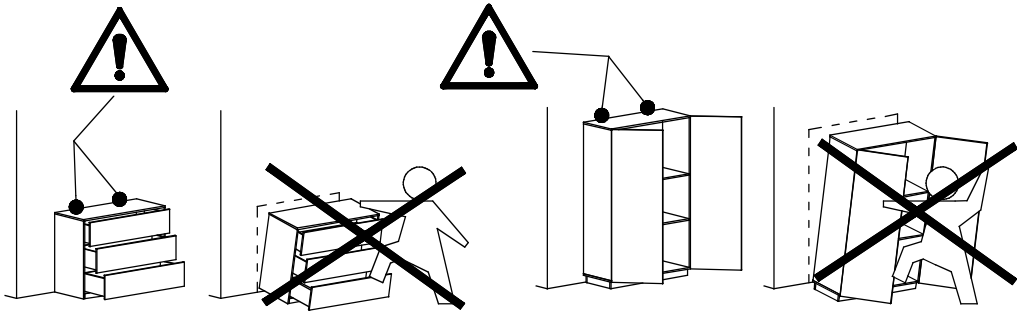
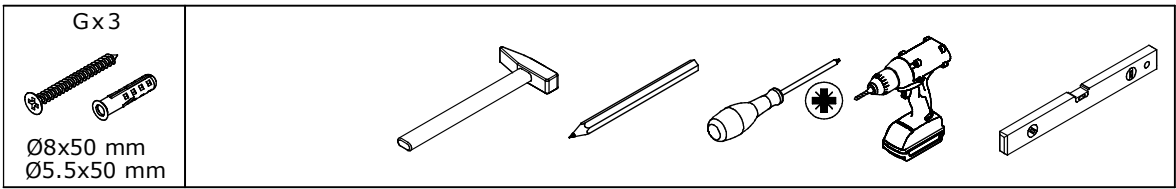


12

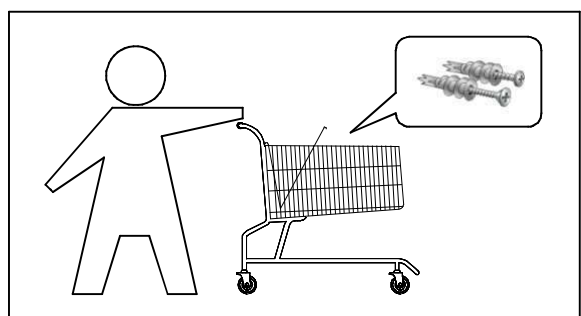
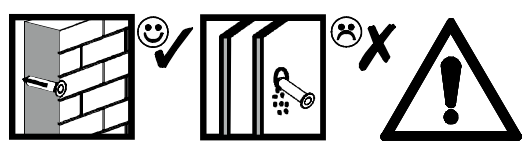
<p>H2x2</p>  <p>250x8x18 mm</p>	<p>Bx8</p>  <p>Ø4x13 mm</p>	
--	--	---



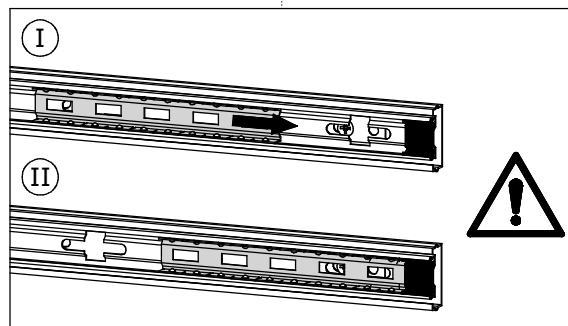
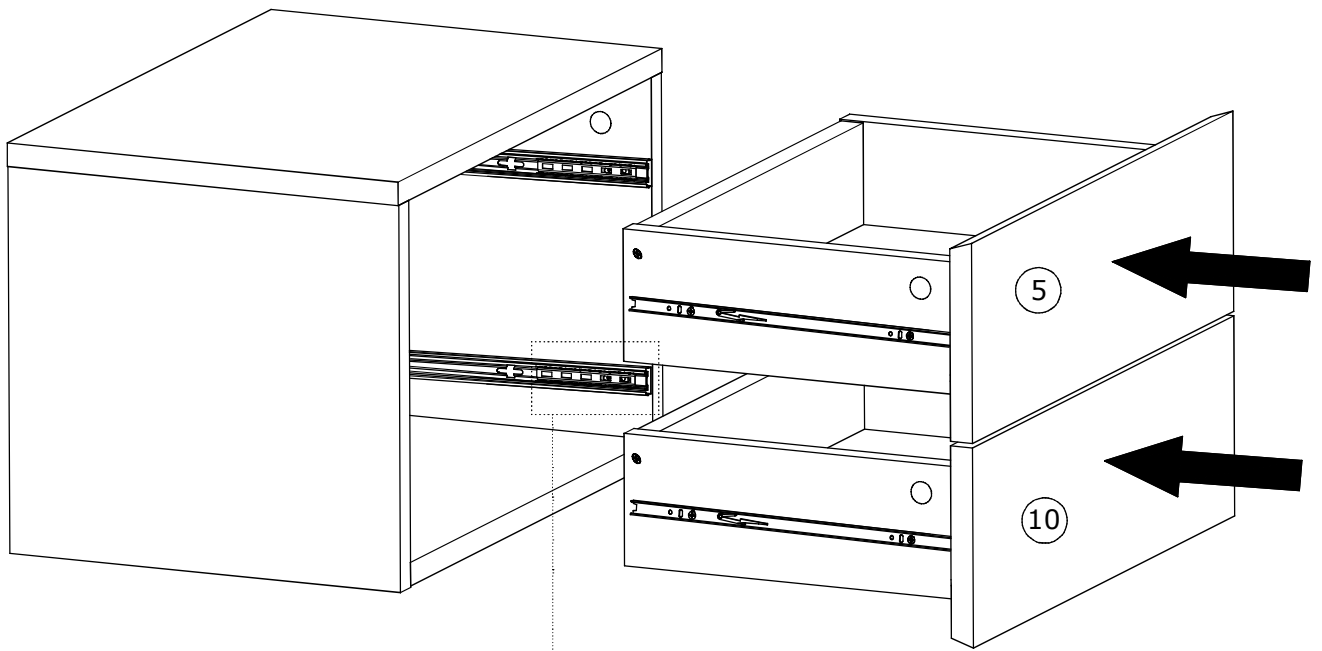
13



- I
- II
- III
- IV



14



15

