








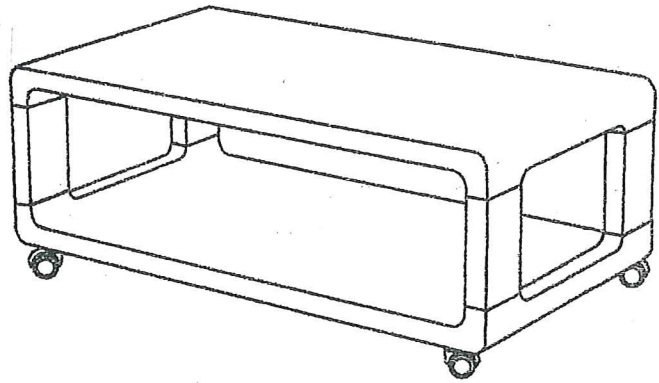


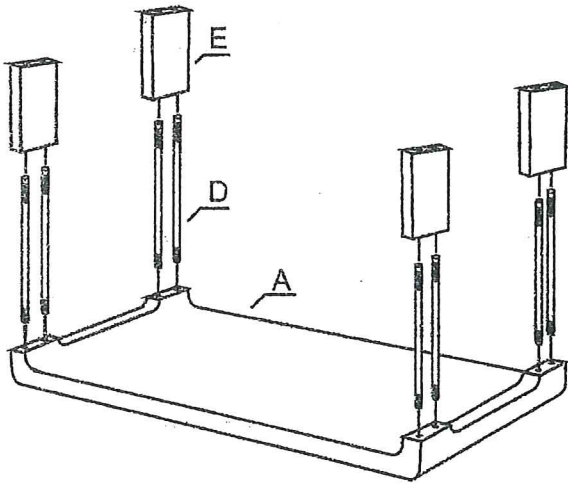
# ASSEMBLY INSTRUCTION

Item NO: Fever

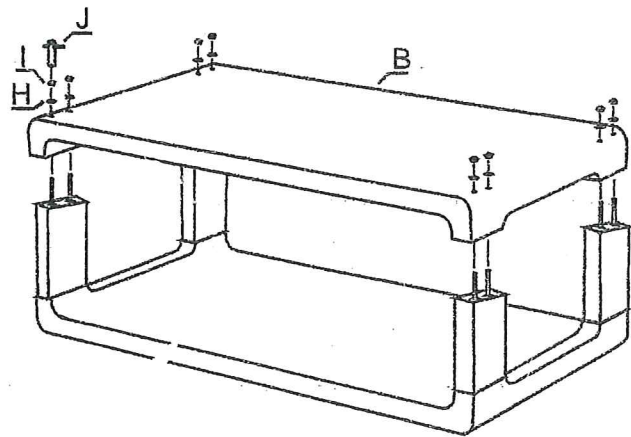
HARDWARE LIST			
NO.	PART	DESCRIPTION	Q'TY
A		top MDF	1
B		bottom MDF	1
C		caster	4
D		rod	8
E		legs	4
G		nail	16
H		caps	8
I		screw nut	8
J		hexagon spanner	1



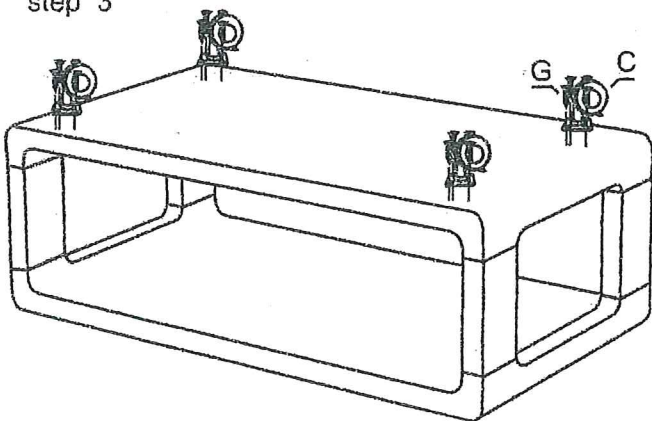
step 1



step 2



step 3



step 4

