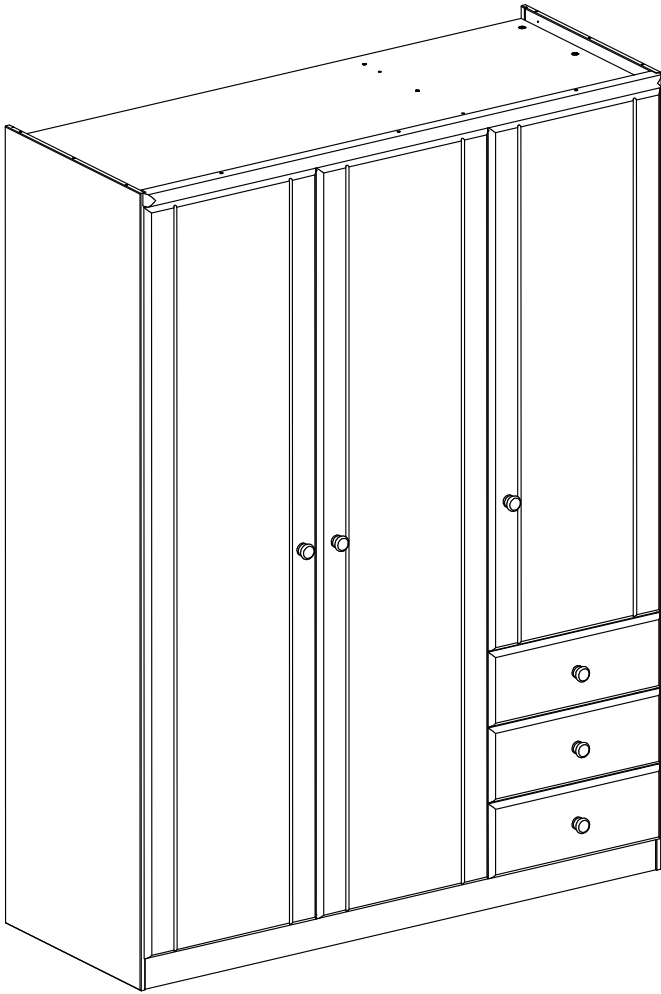
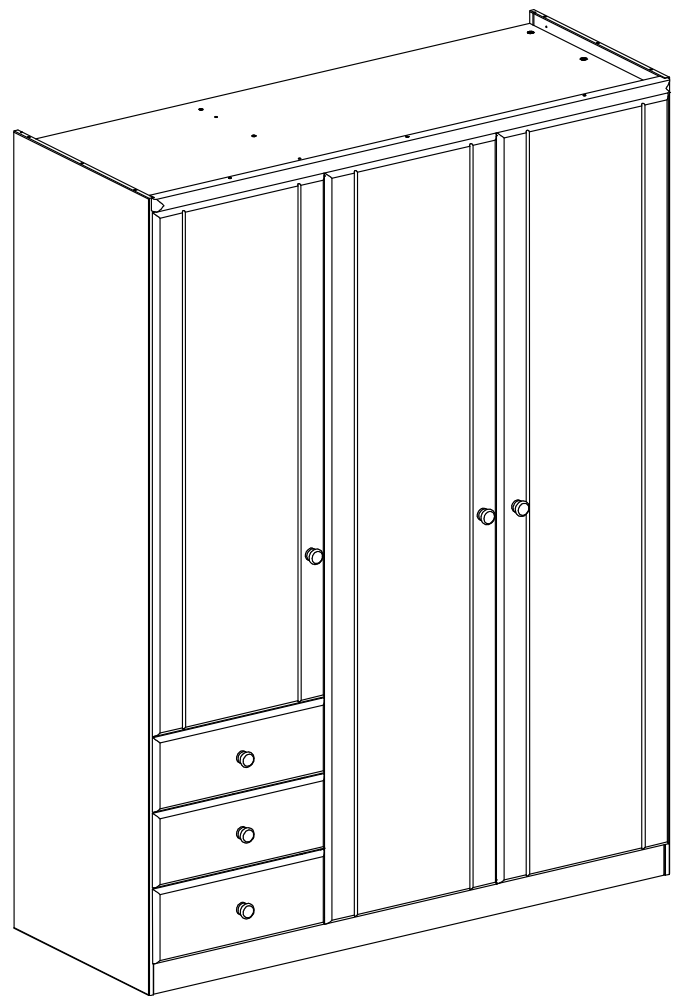


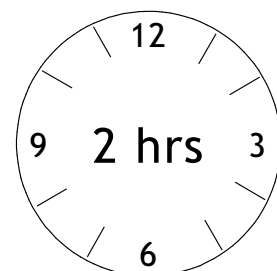
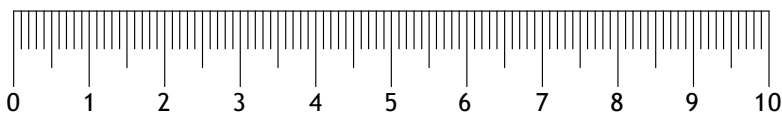
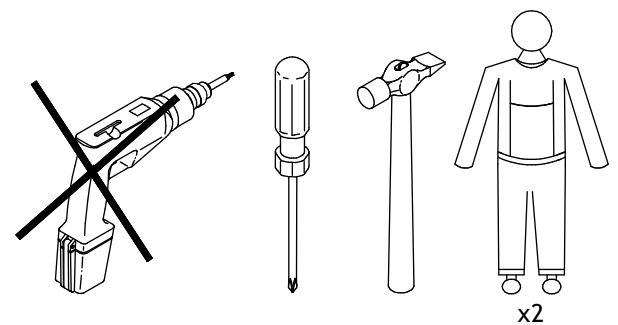
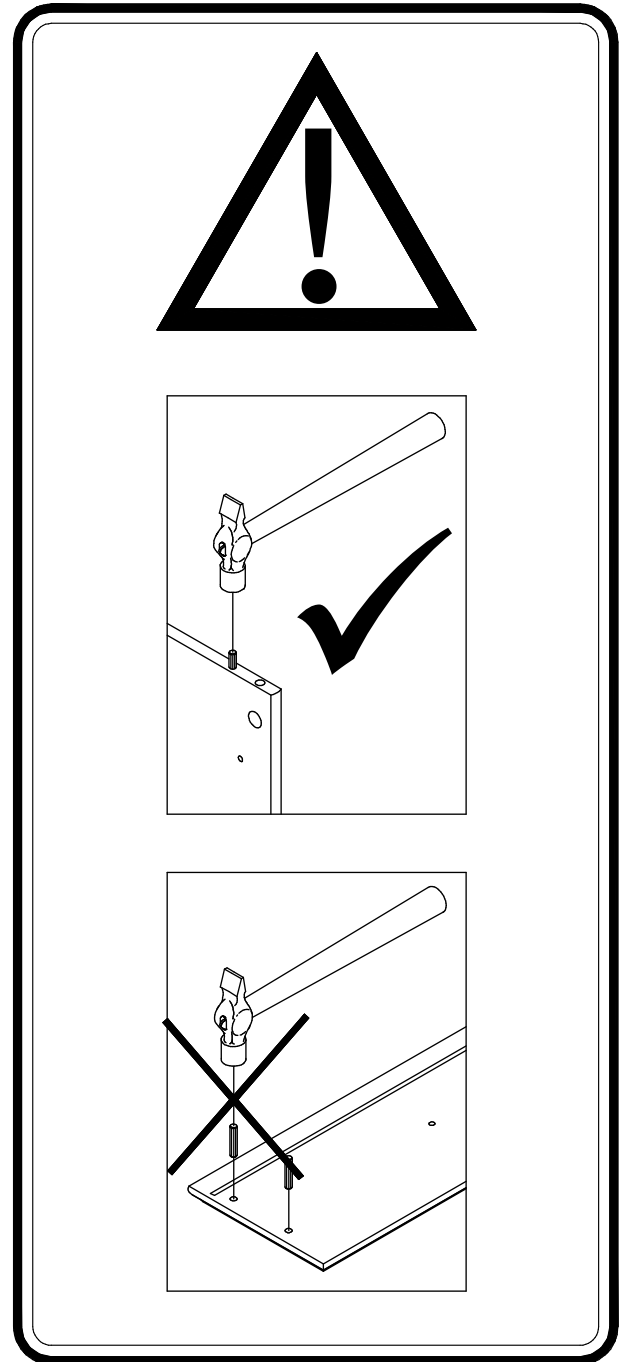
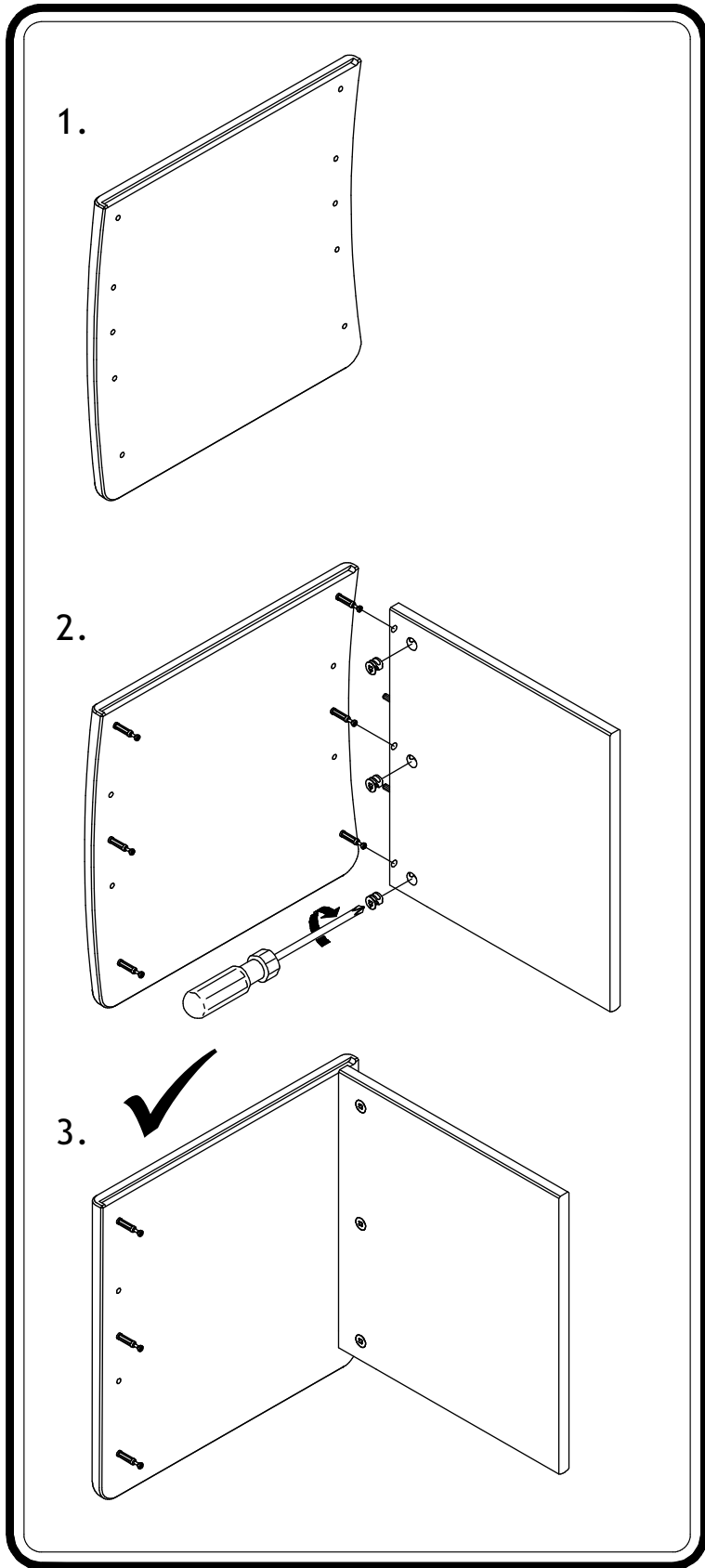
345108013



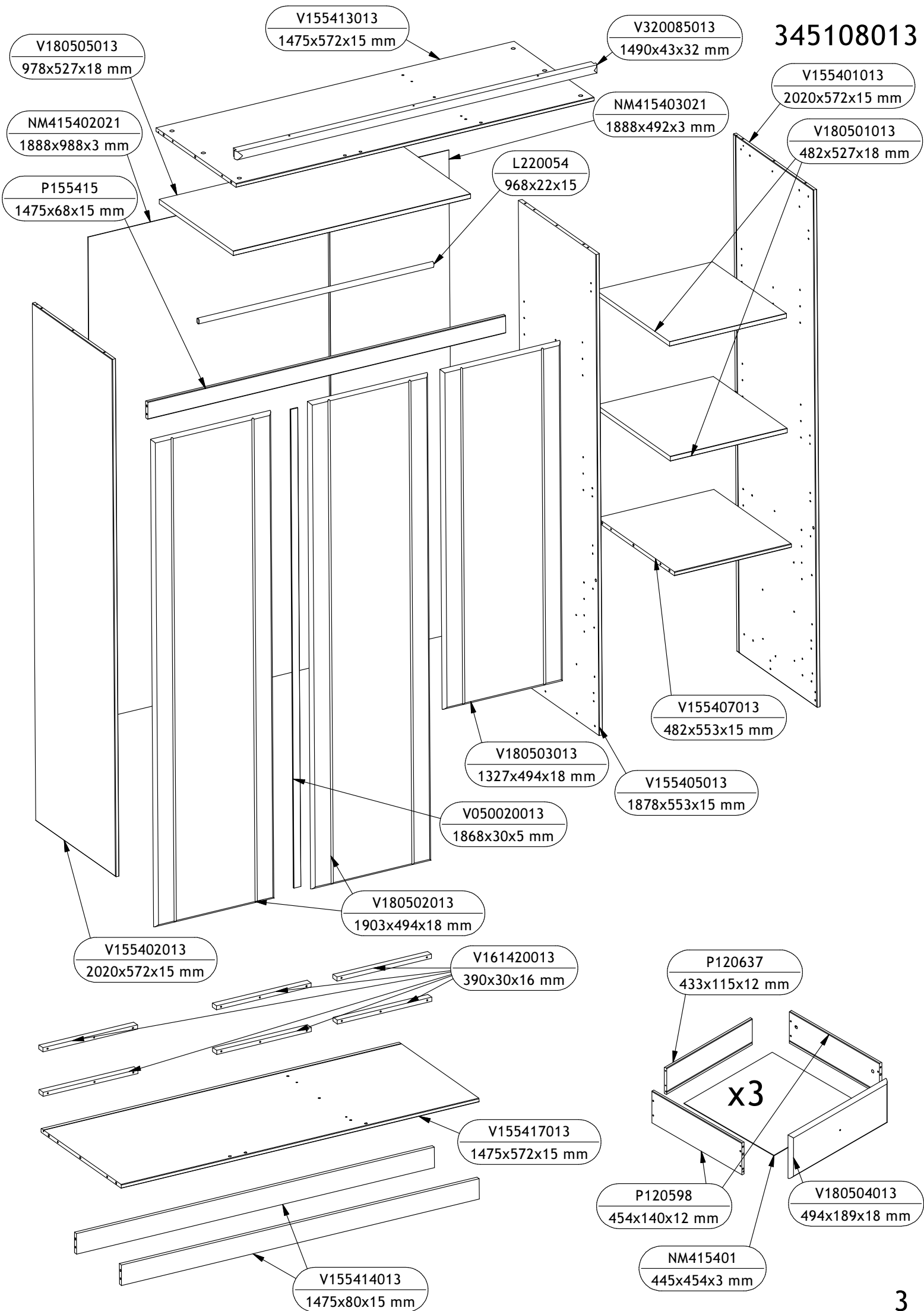
Version 1

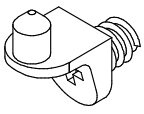
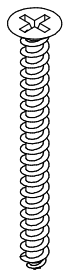
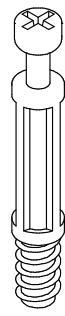
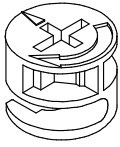
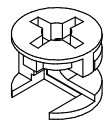
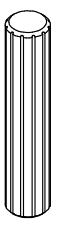
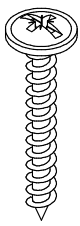
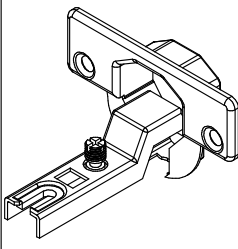
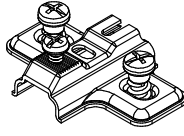
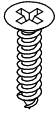
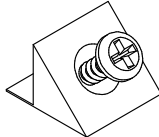
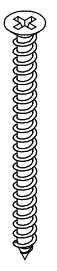
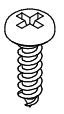
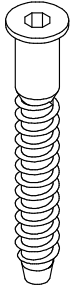
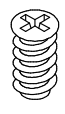

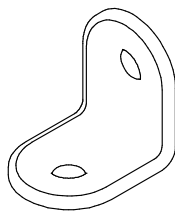
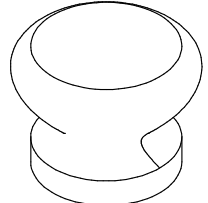
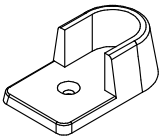
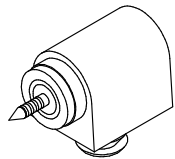

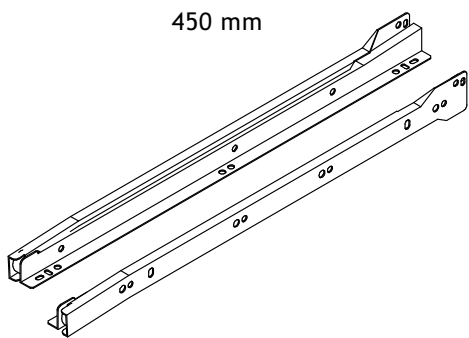
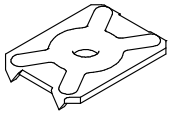
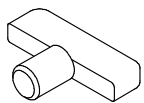
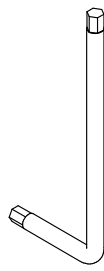


Version 2



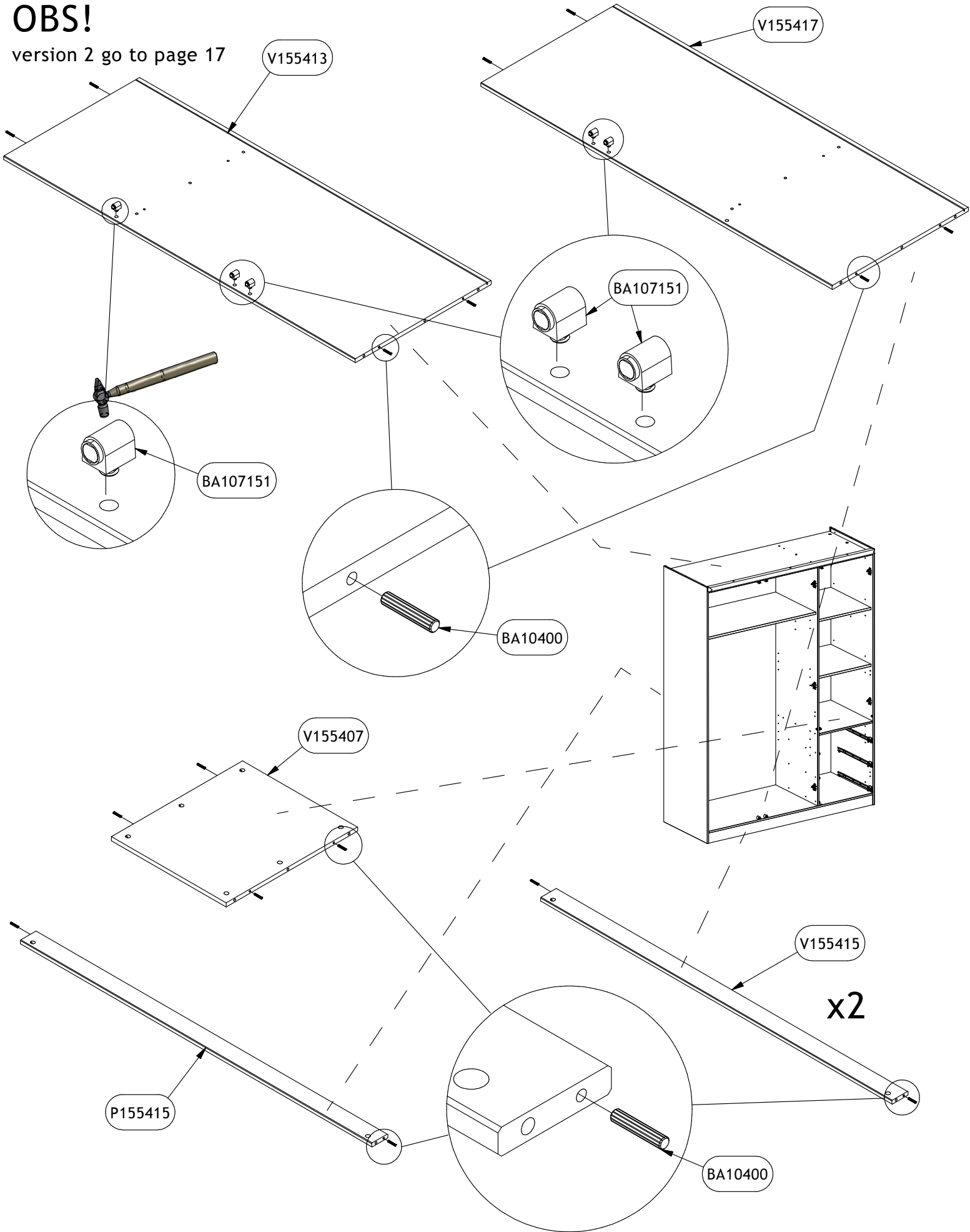
345108013

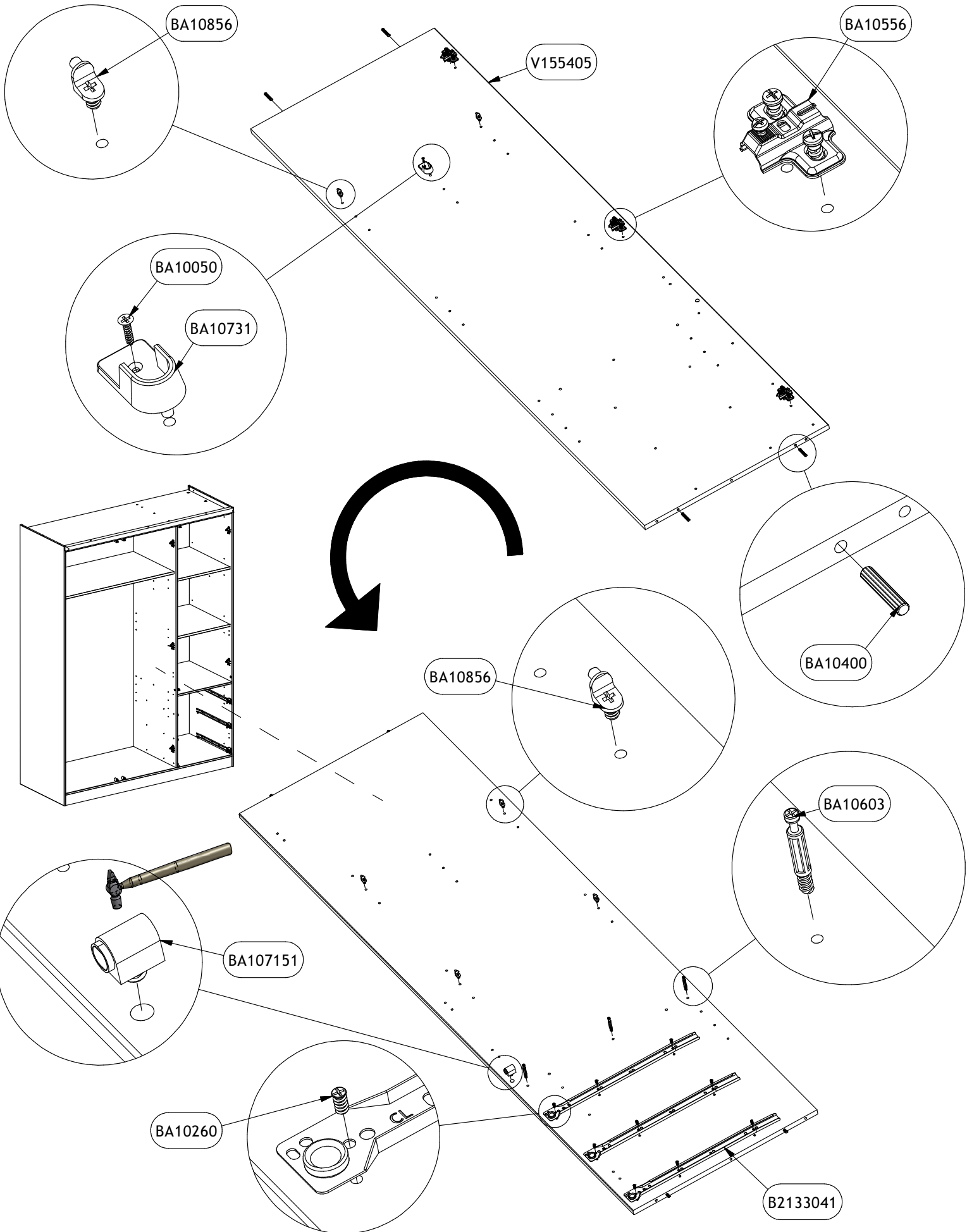


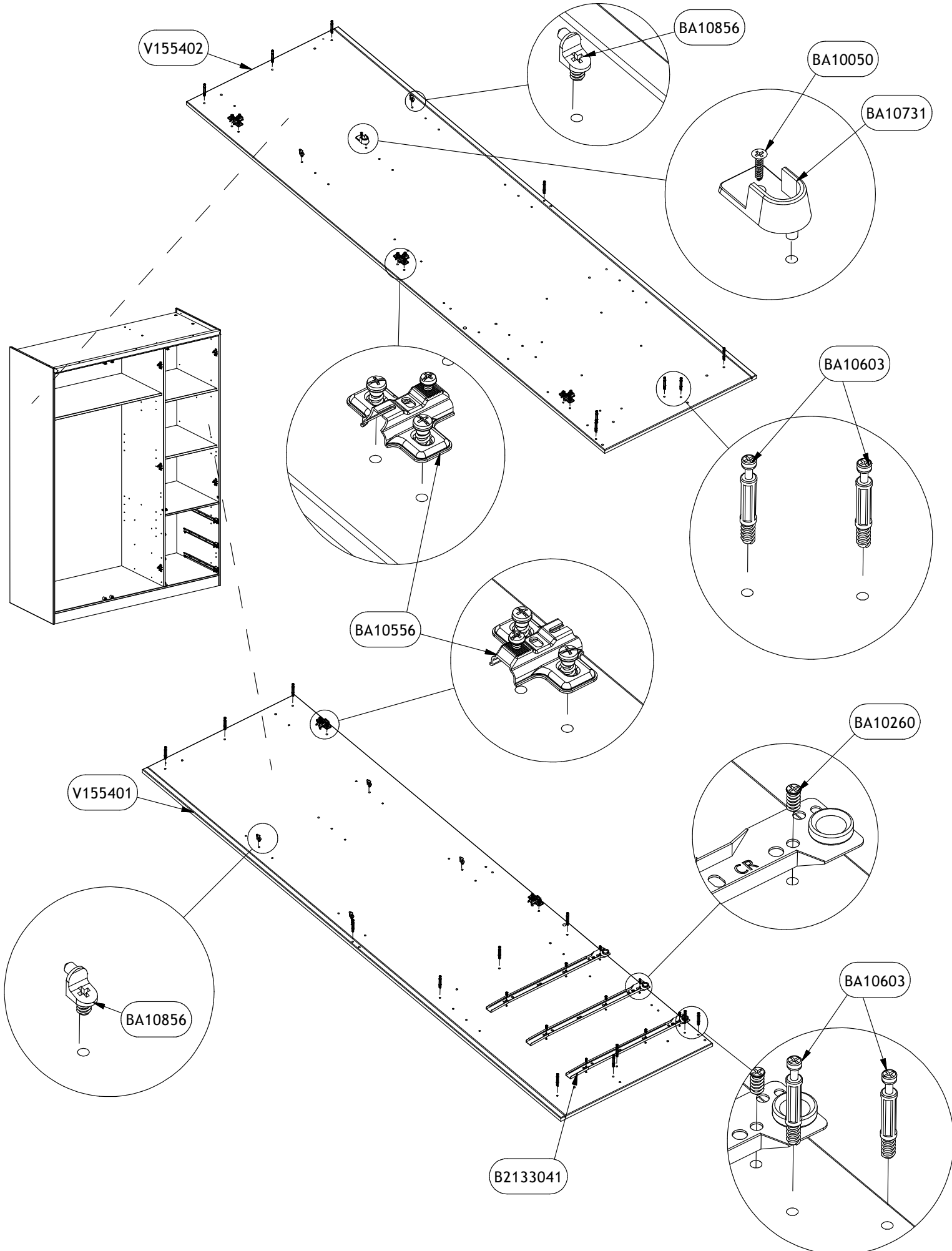
<p>BA10856 x12 14x10x14 mm</p> 	<p>BA10090 x18 ø4,0x40 mm</p> 	<p>BA10603 x30 ø5/11x34 mm</p> 	<p>BA10570 x24 ø15x12 mm</p> 	<p>BA10596 x6 ø12x9,5 mm</p> 	<p>BA10400 x34 ø6x30 mm</p> 
<p>BA10170 x18 ø4,0x35 mm</p> 	<p>BA10549 x8 Ø35</p> 	<p>BA10556 x8 2 mm/37 mm</p> 	<p>BA10050 x26 ø3,5x15 mm</p> 	<p>BA10833 x10 15x15x10 mm</p> 	<p>BA10150 x3 ø4,5x45 mm</p> 
<p>BA10109 x12 ø3,5x11 mm</p> 	<p>BA10310 x6 Ø7x50 mm</p> 	<p>BA10260 x18 ø5,8x11</p> 	<p>BA10020 x25 ø1,2x16 mm</p> 	<p>BA10849 x1 20x20x2</p> 	<p>BA10468013 x6 ø40x30 mm</p> 
<p>BA10731 x2 15x22 mm</p> 	<p>BA107151 x6 Ø10</p> 	<p>BA103442 x4 ø13 mm</p> 	<p>B2133041 x3 450 mm</p> 		<p>BA10837 x6 19x14xø3 mm</p> 
<p>BA10831 x3 ø5 mm</p> 	<p>BA10680 x1 4 mm</p> 				

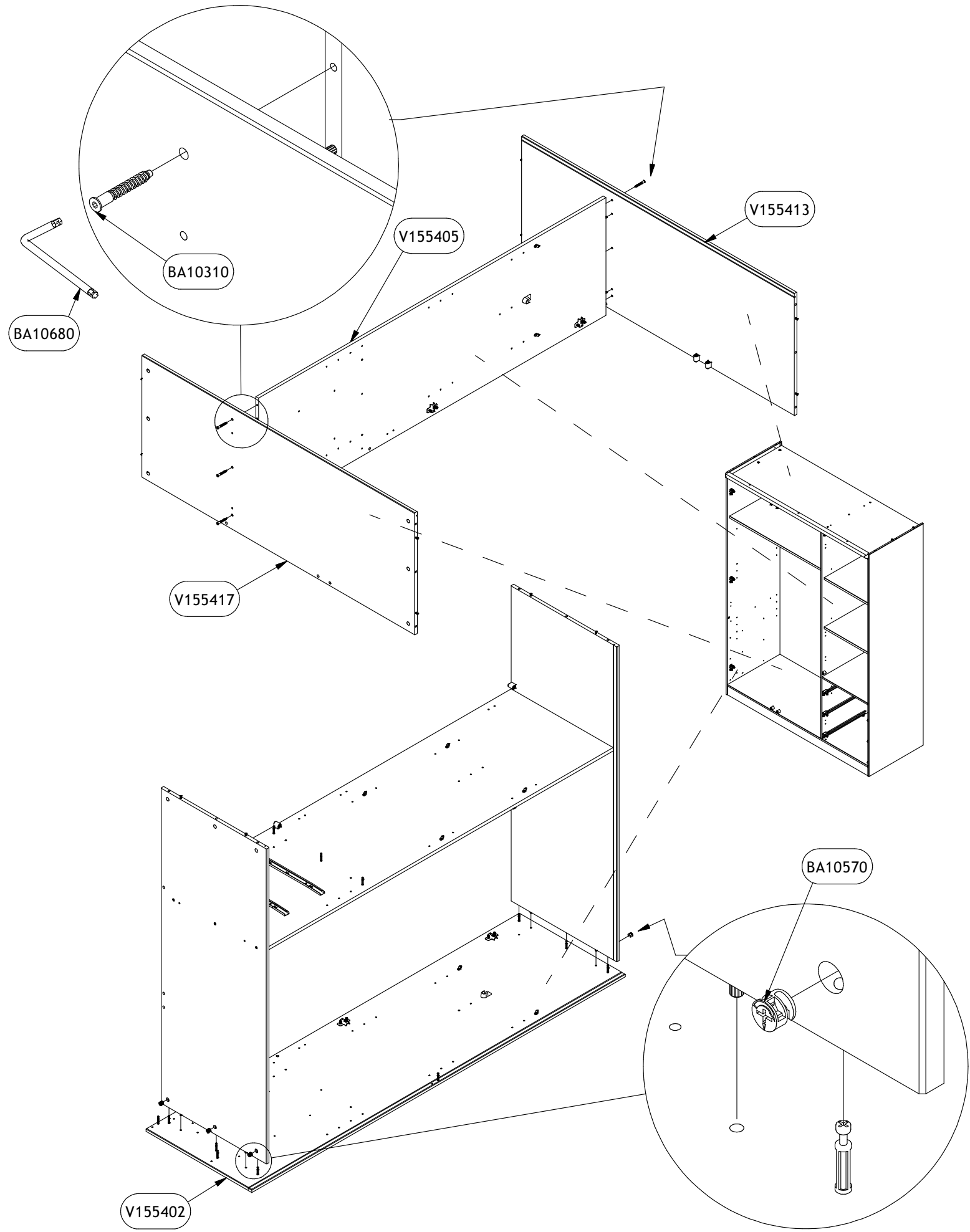
OBS!

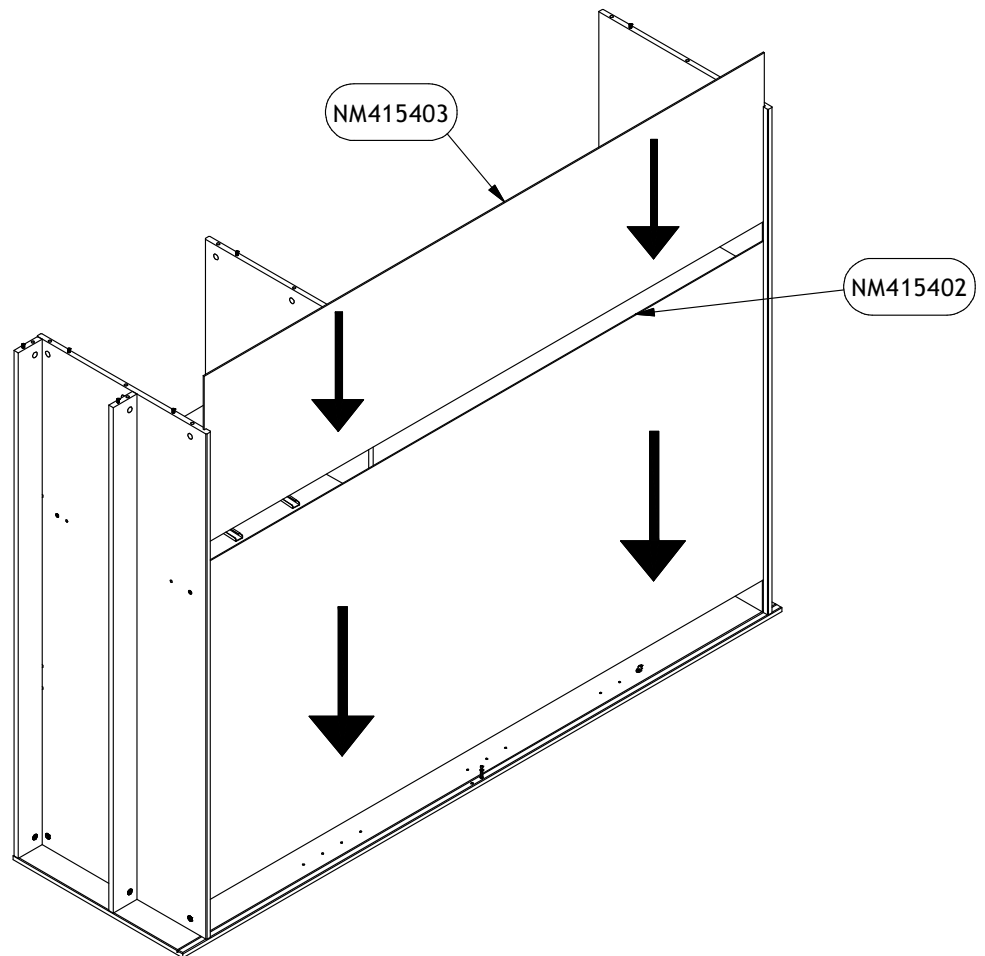
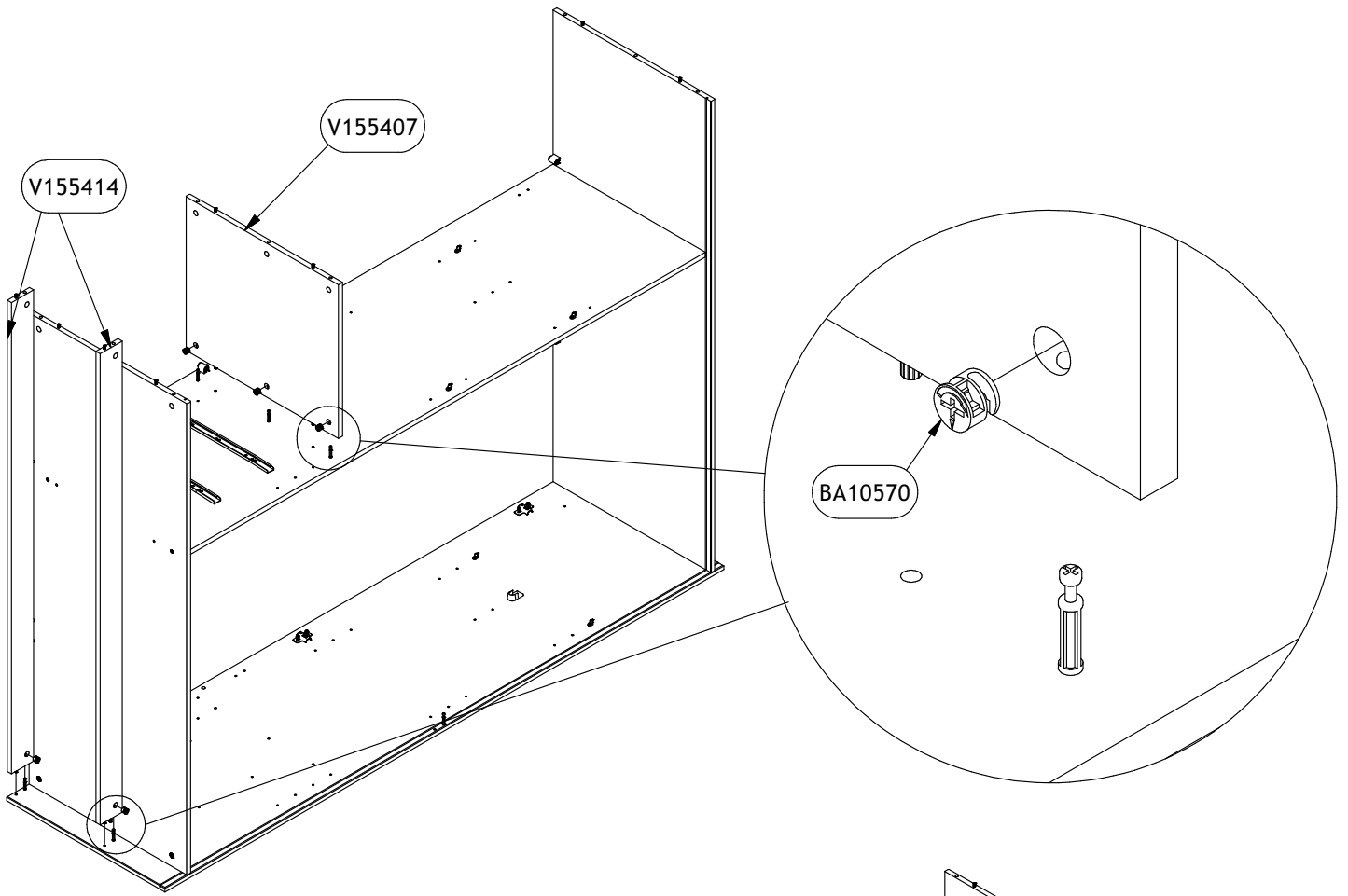
version 2 go to page 17

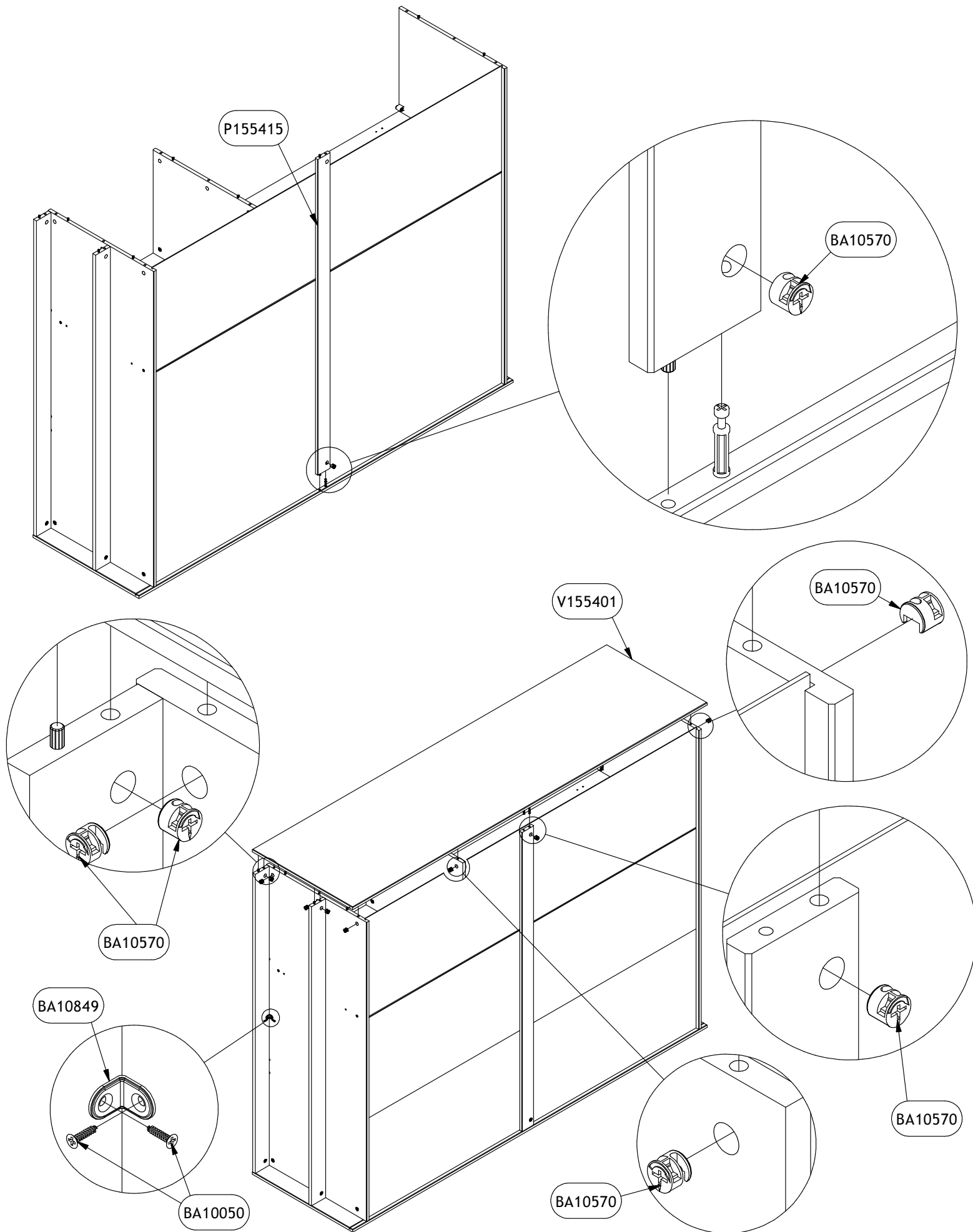


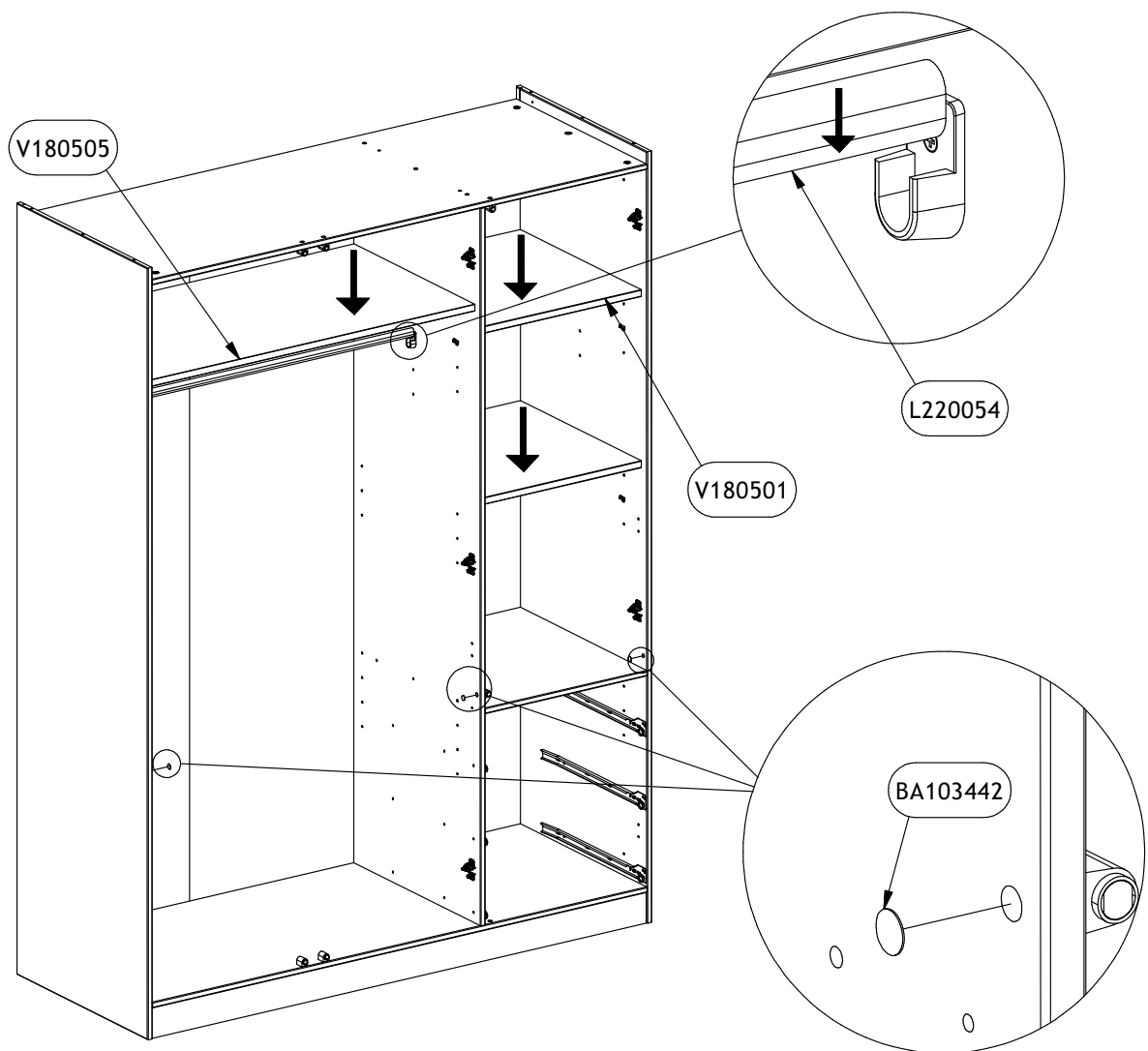
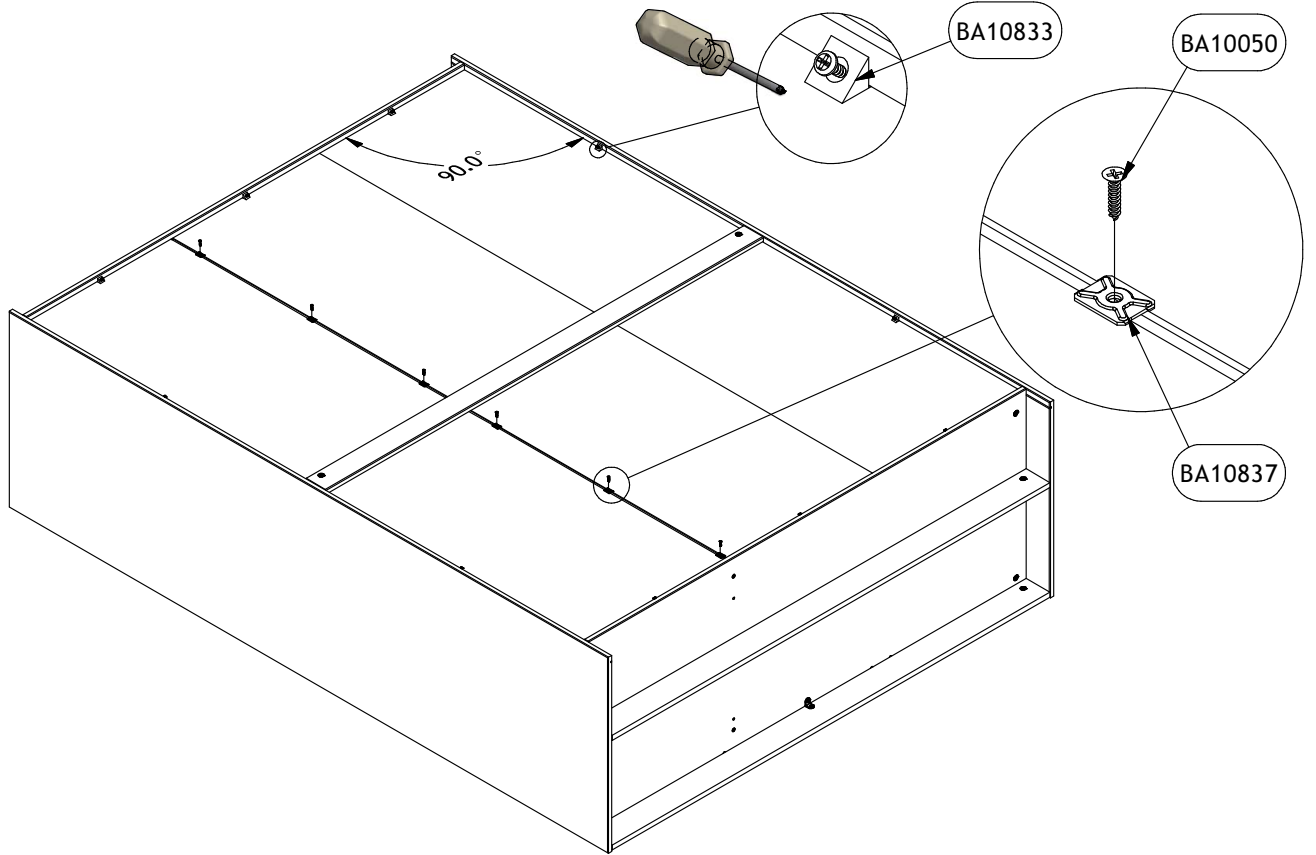


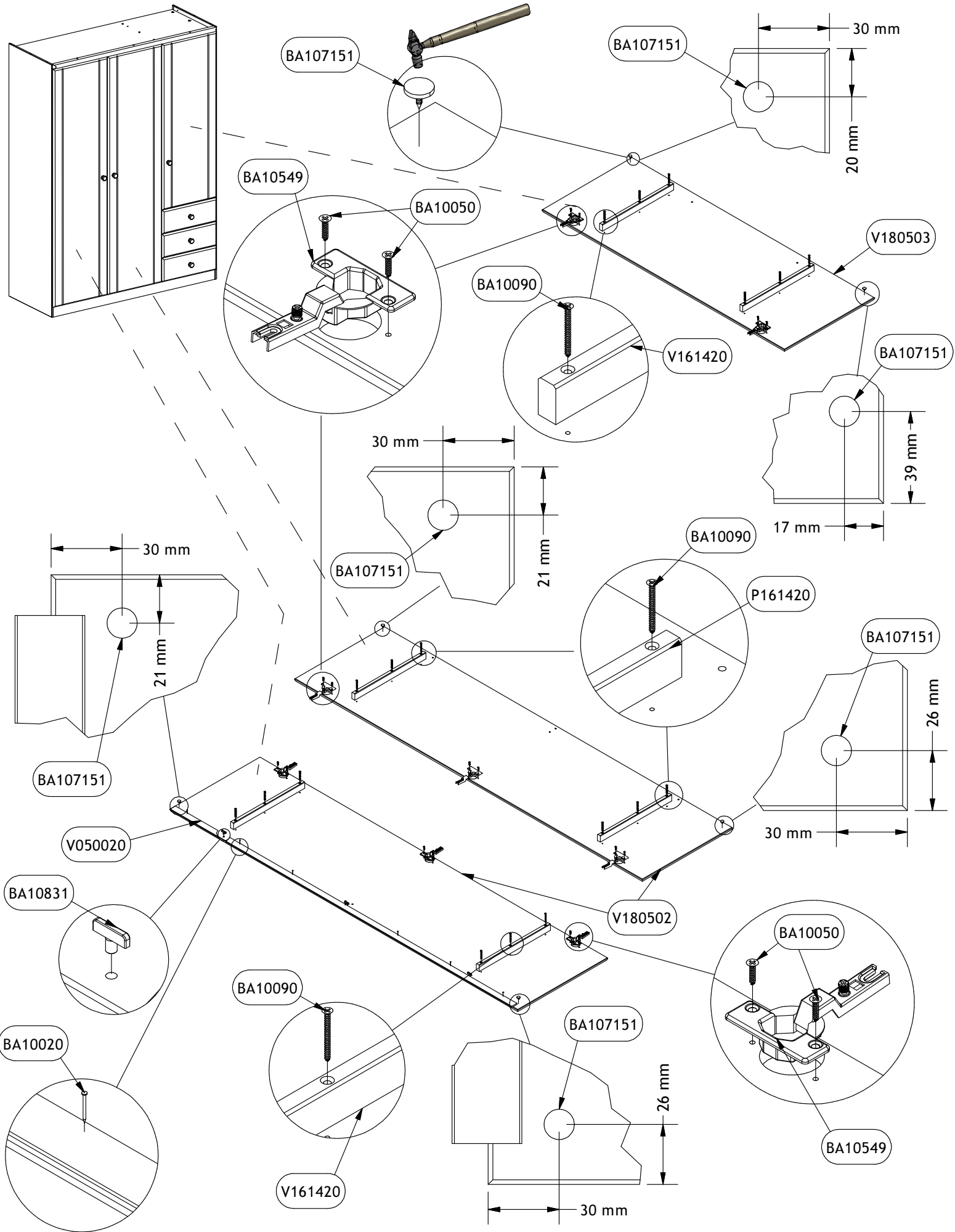


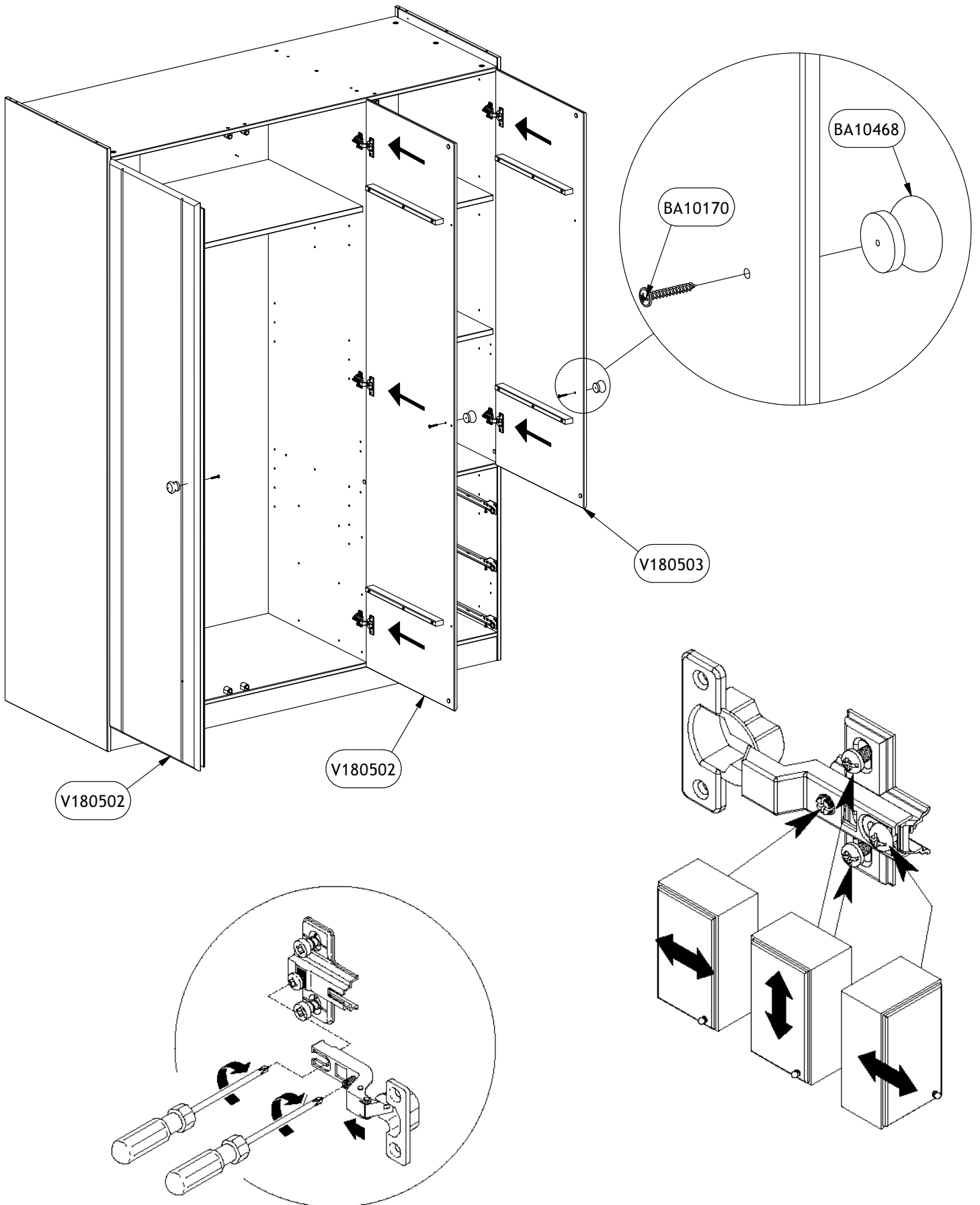


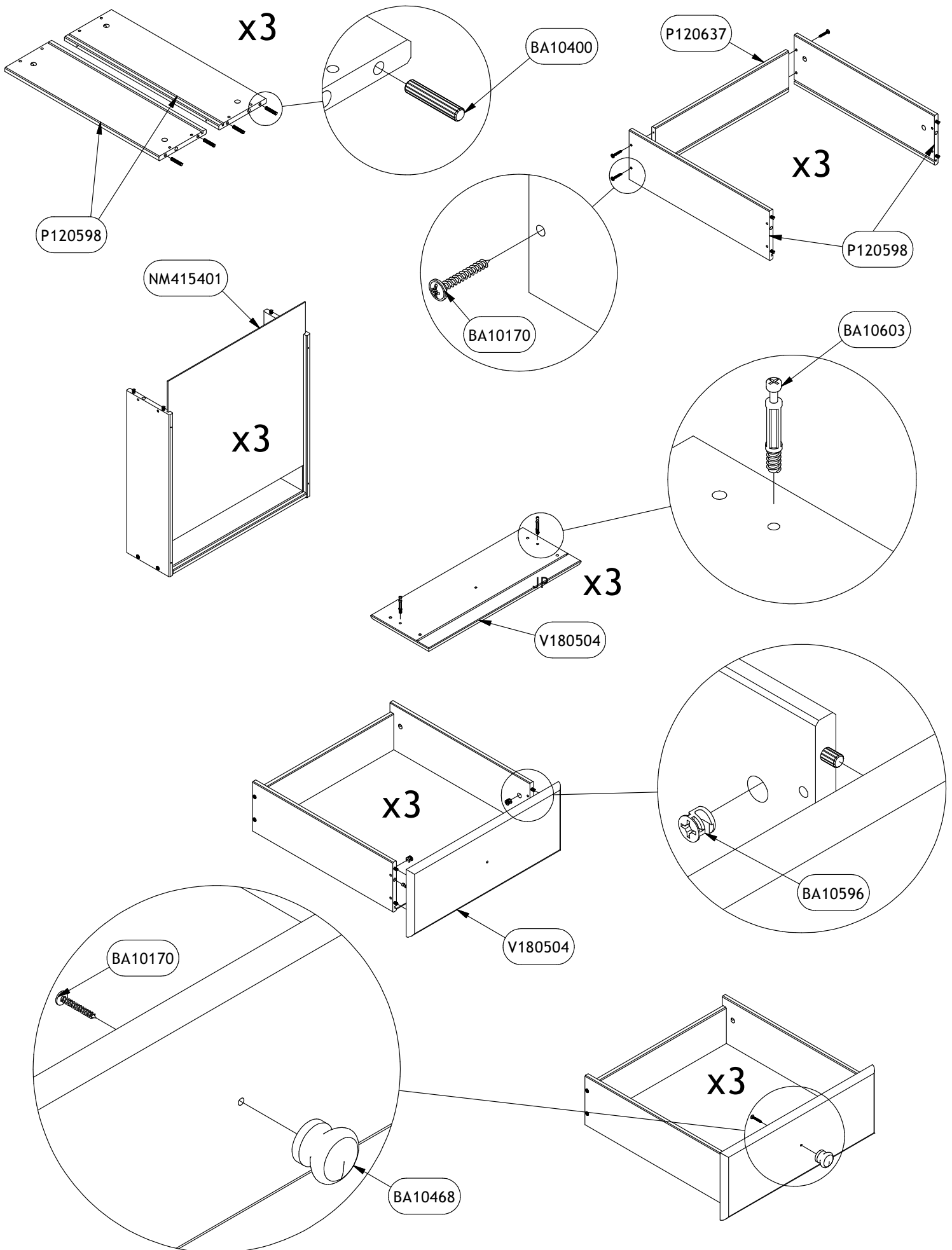


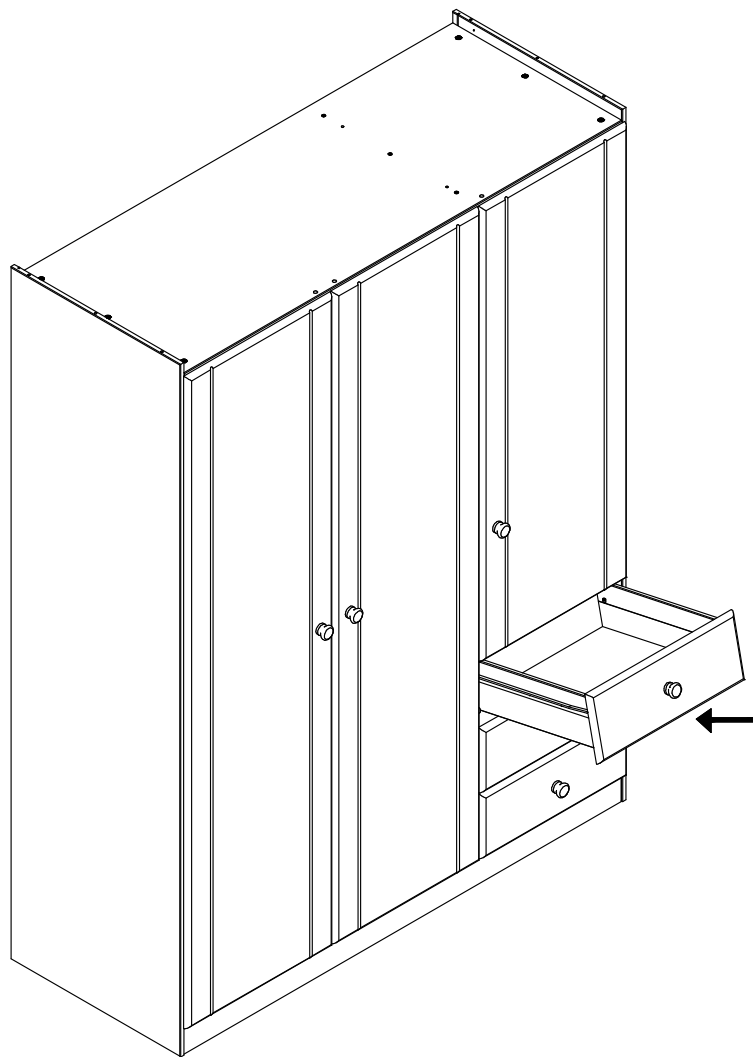
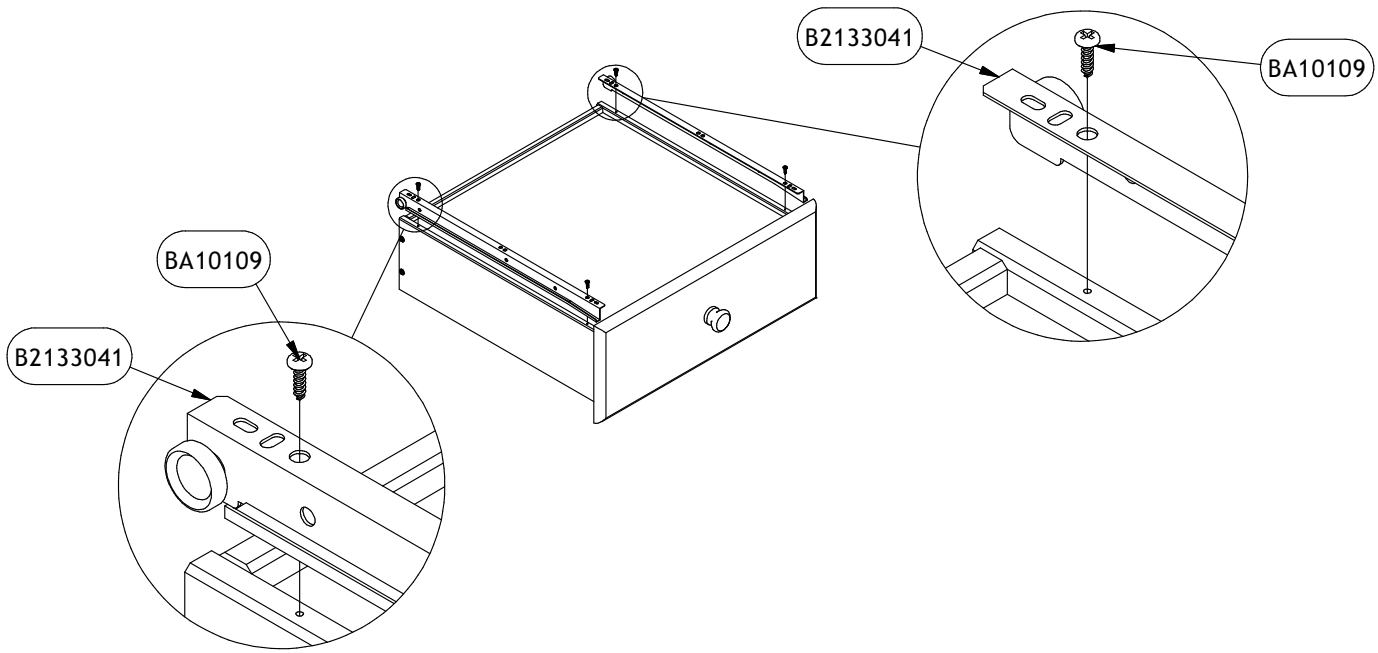


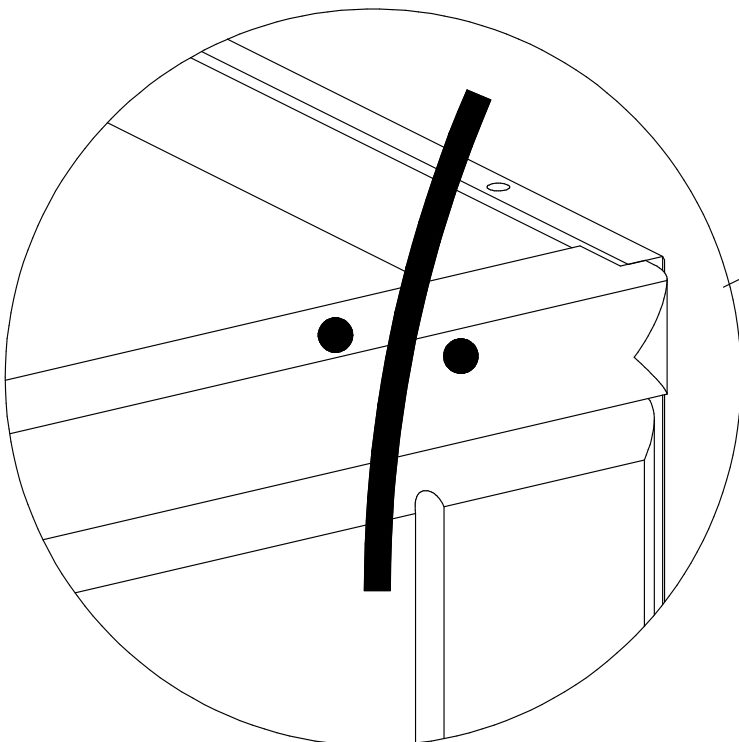
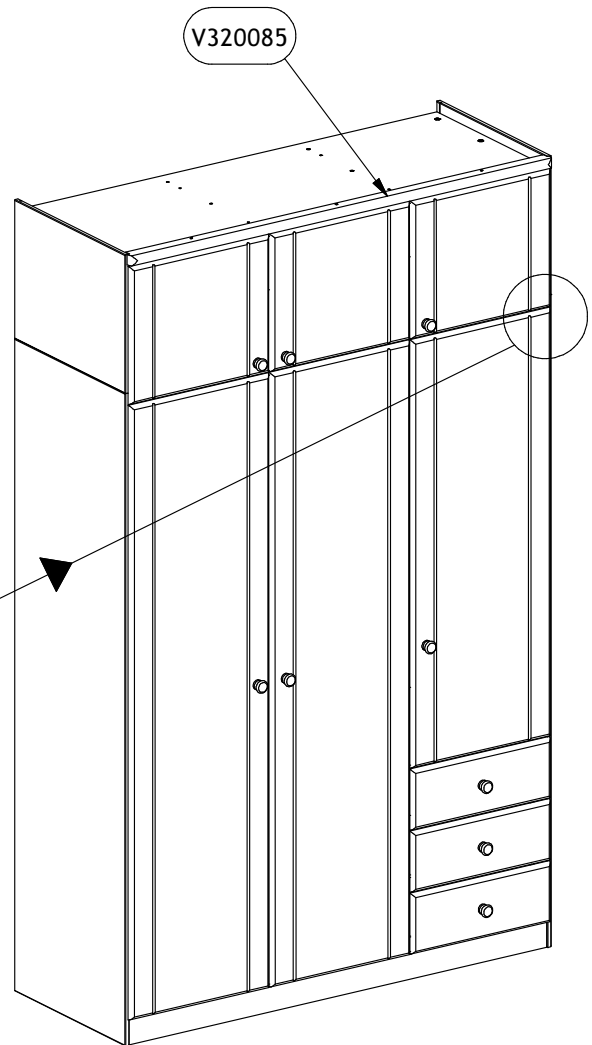
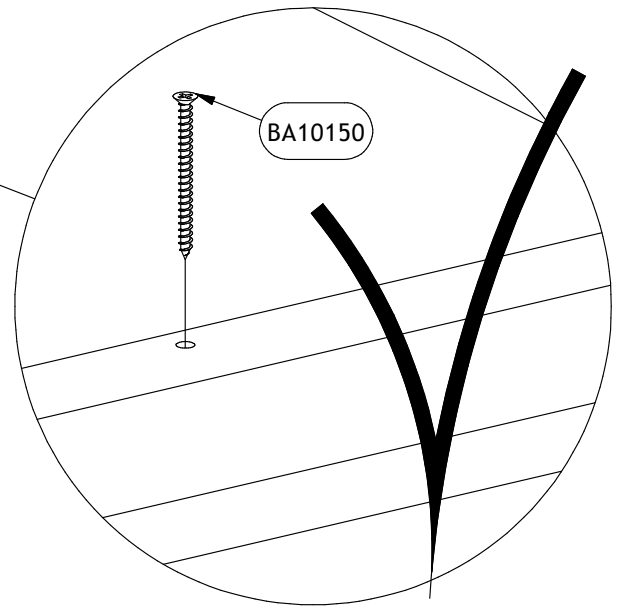
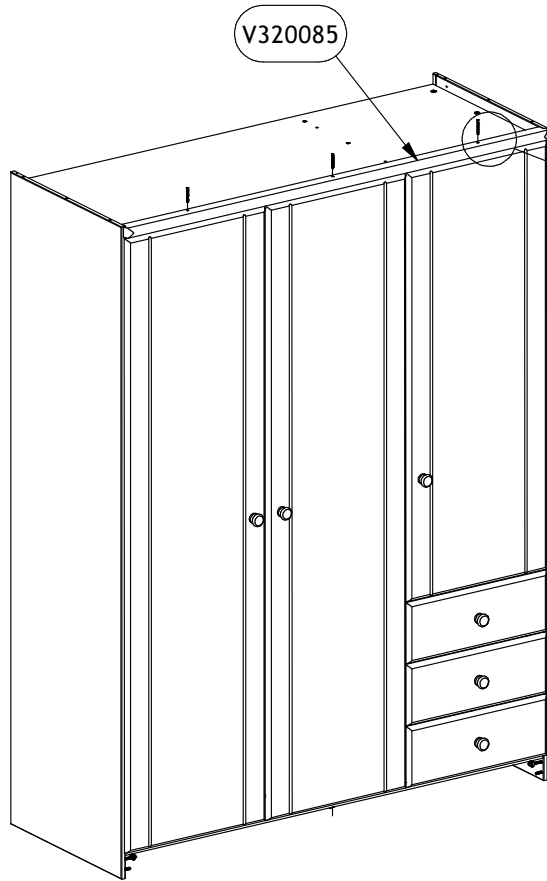




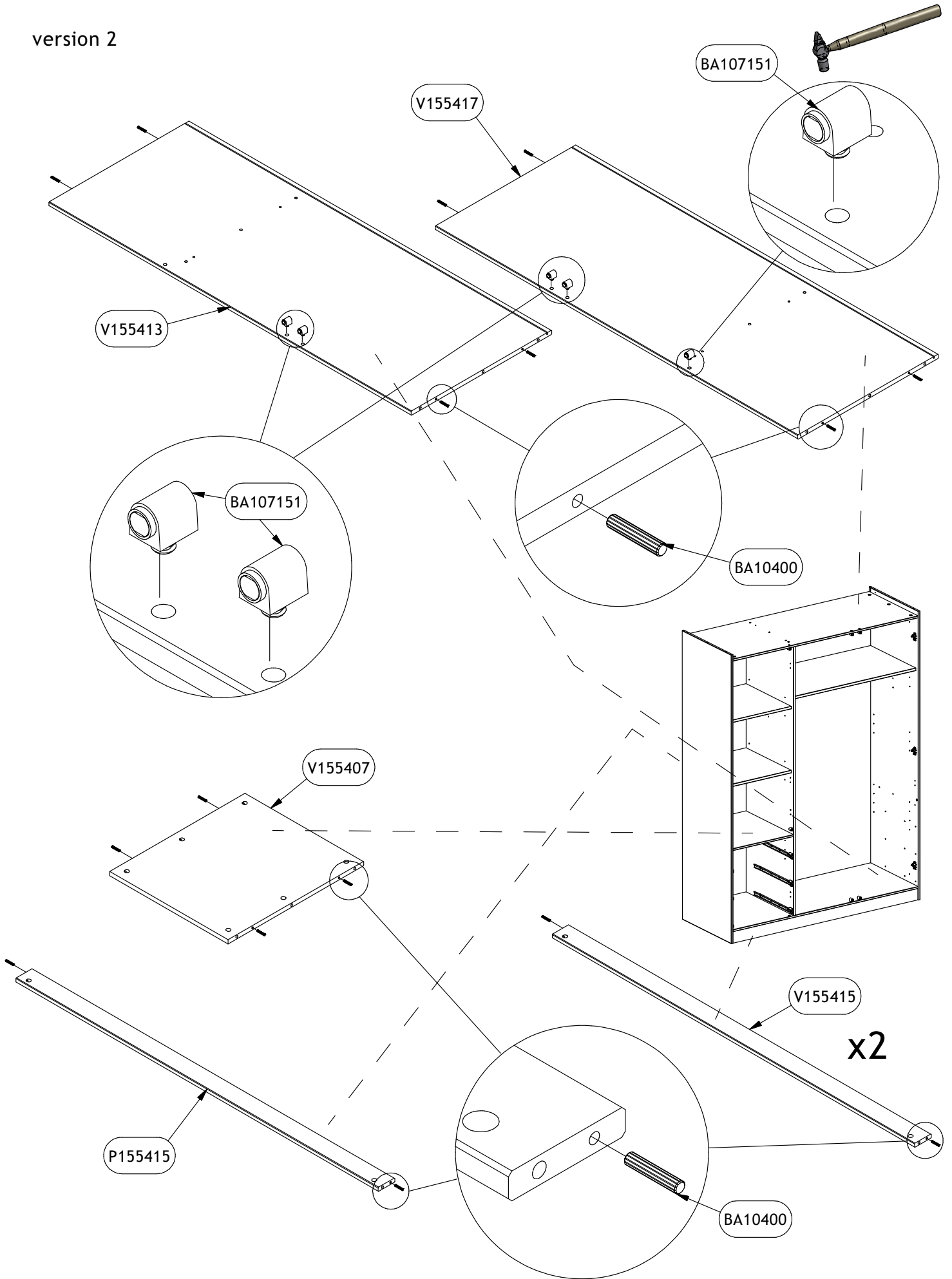


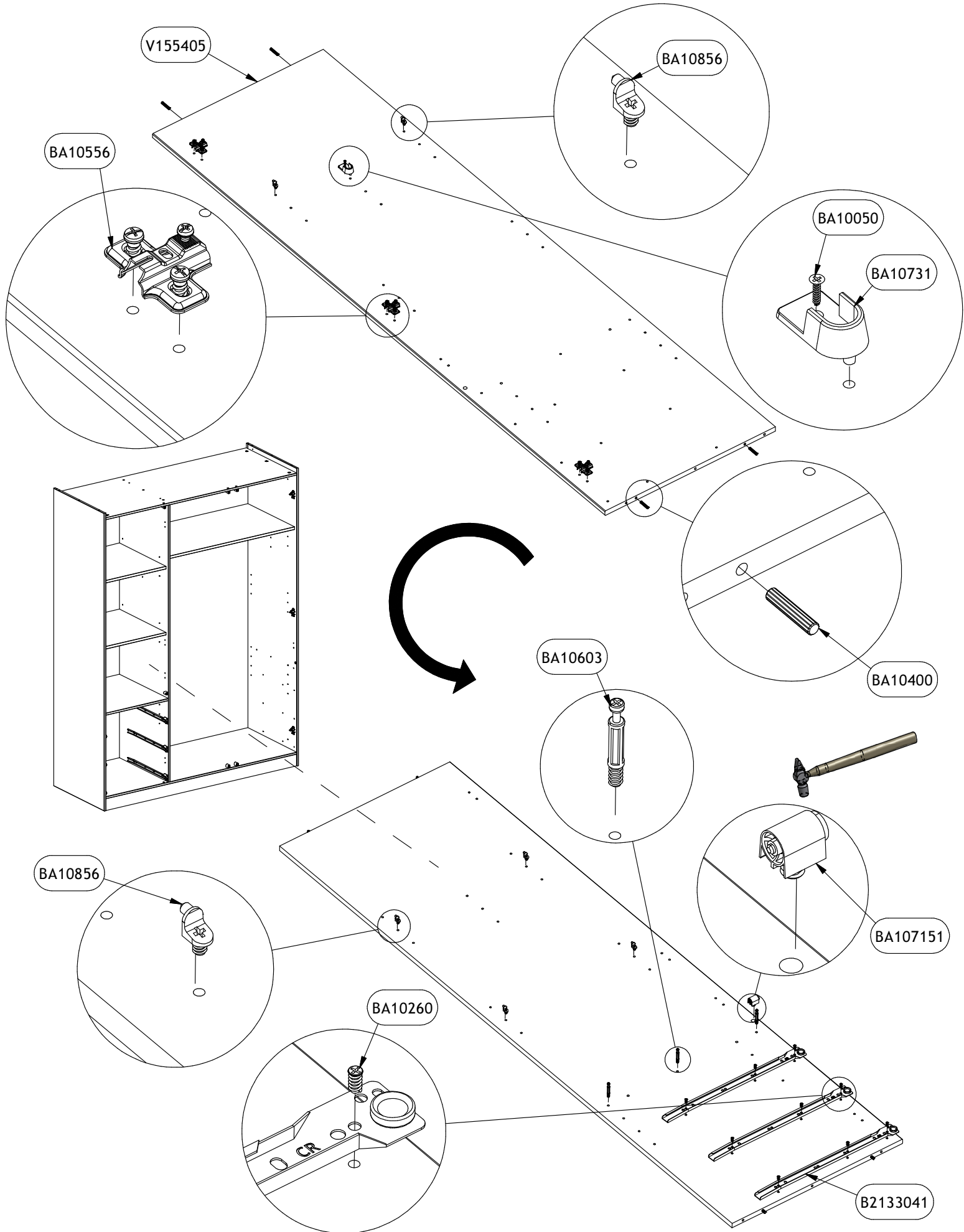


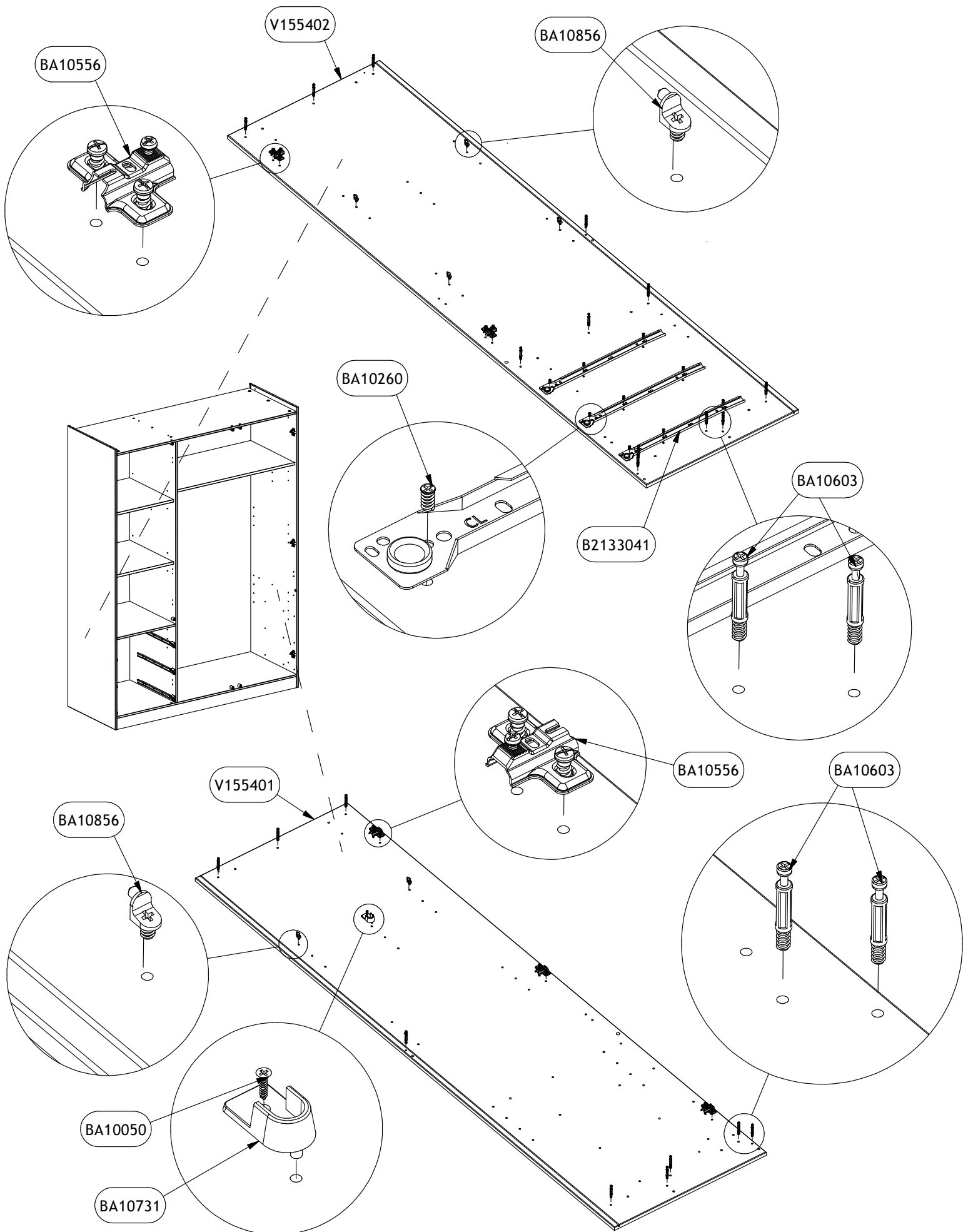


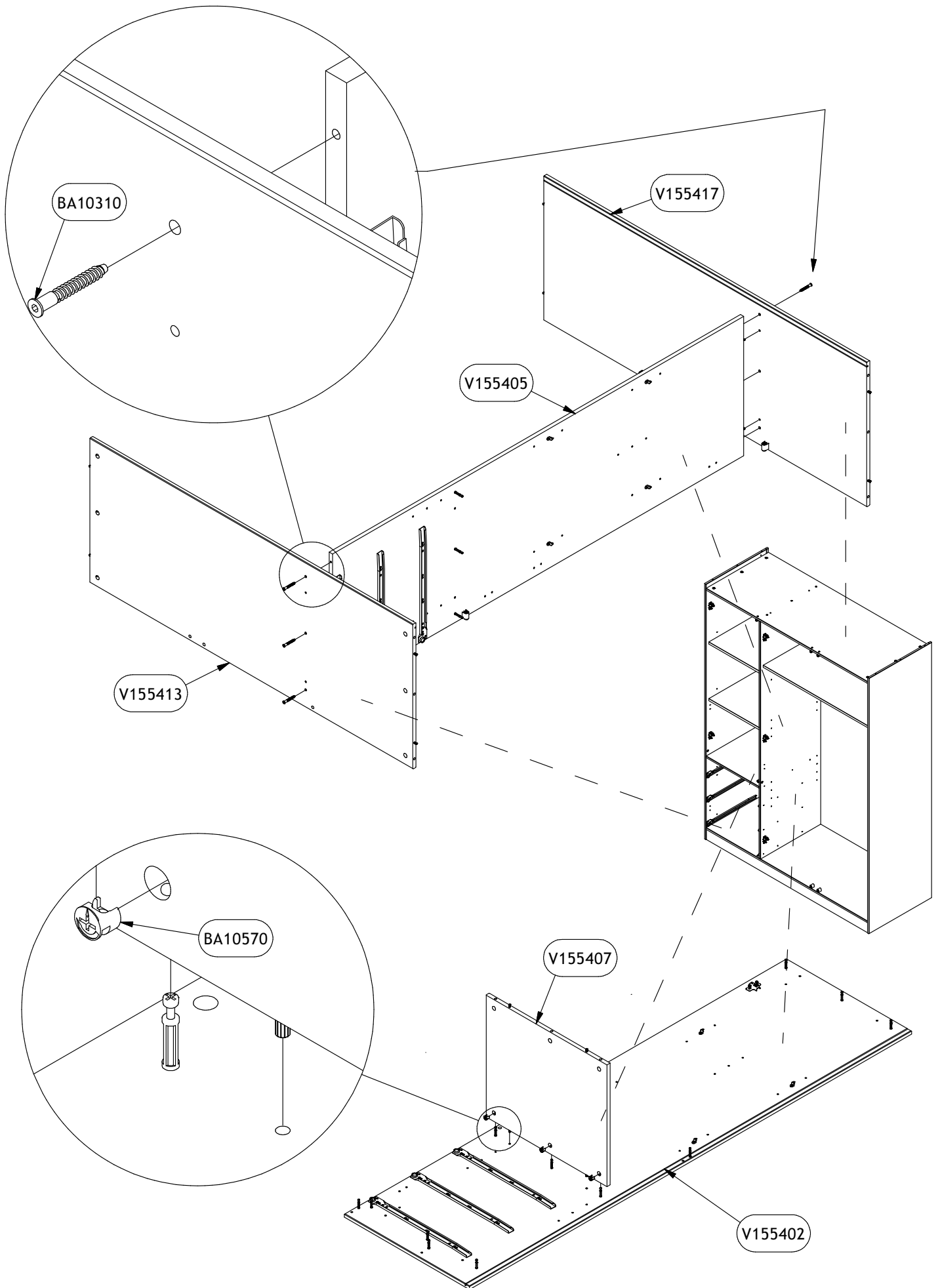


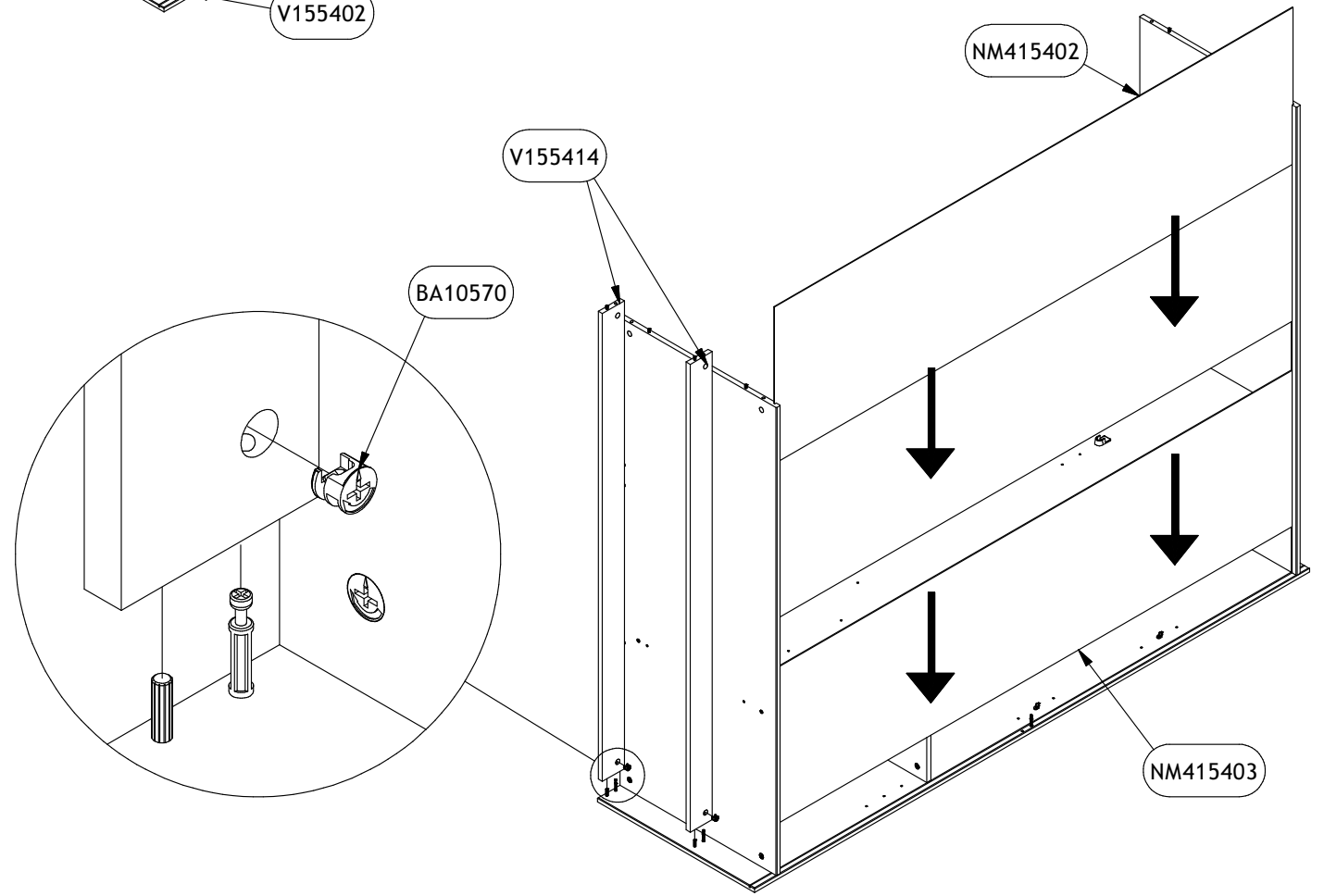
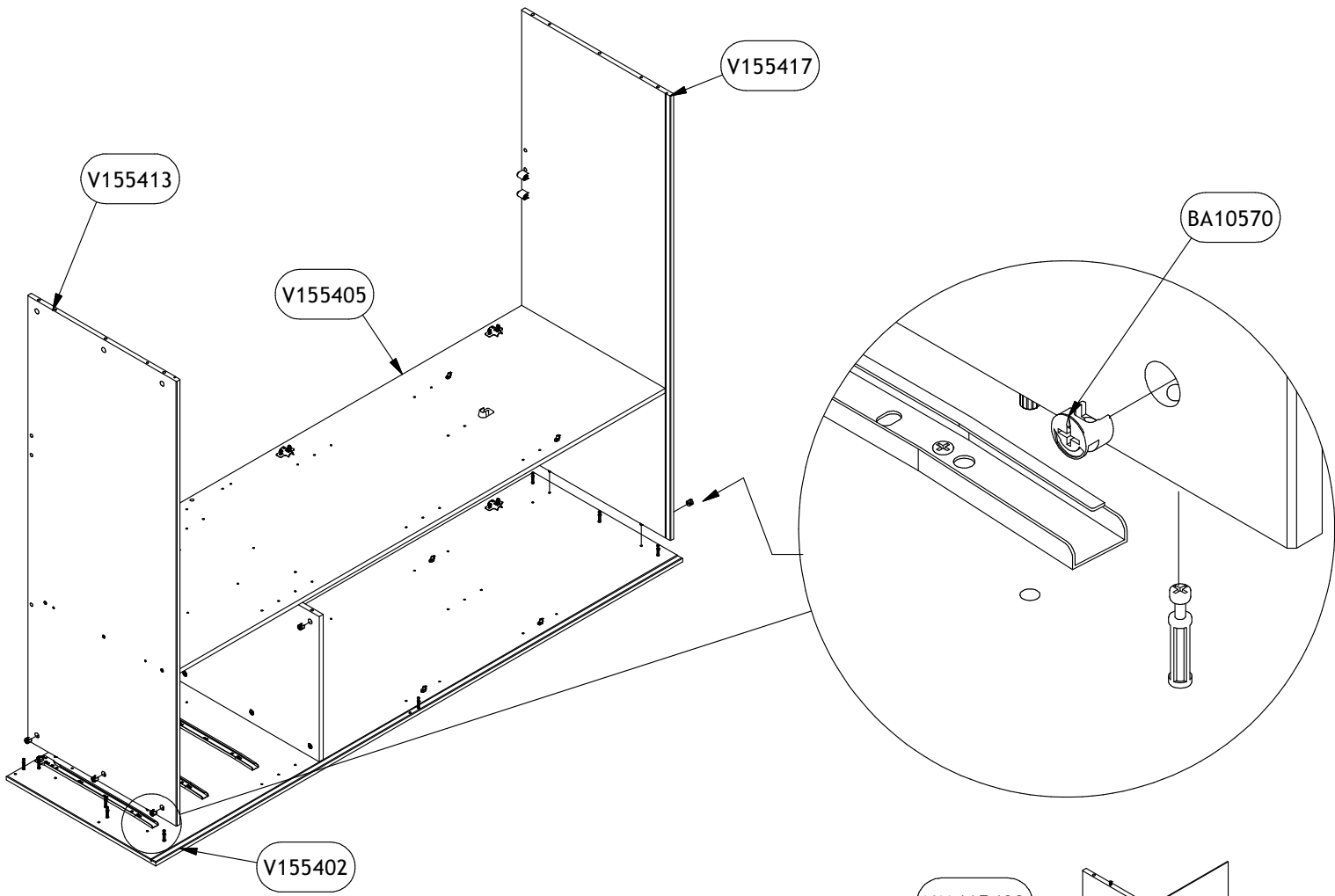
version 2

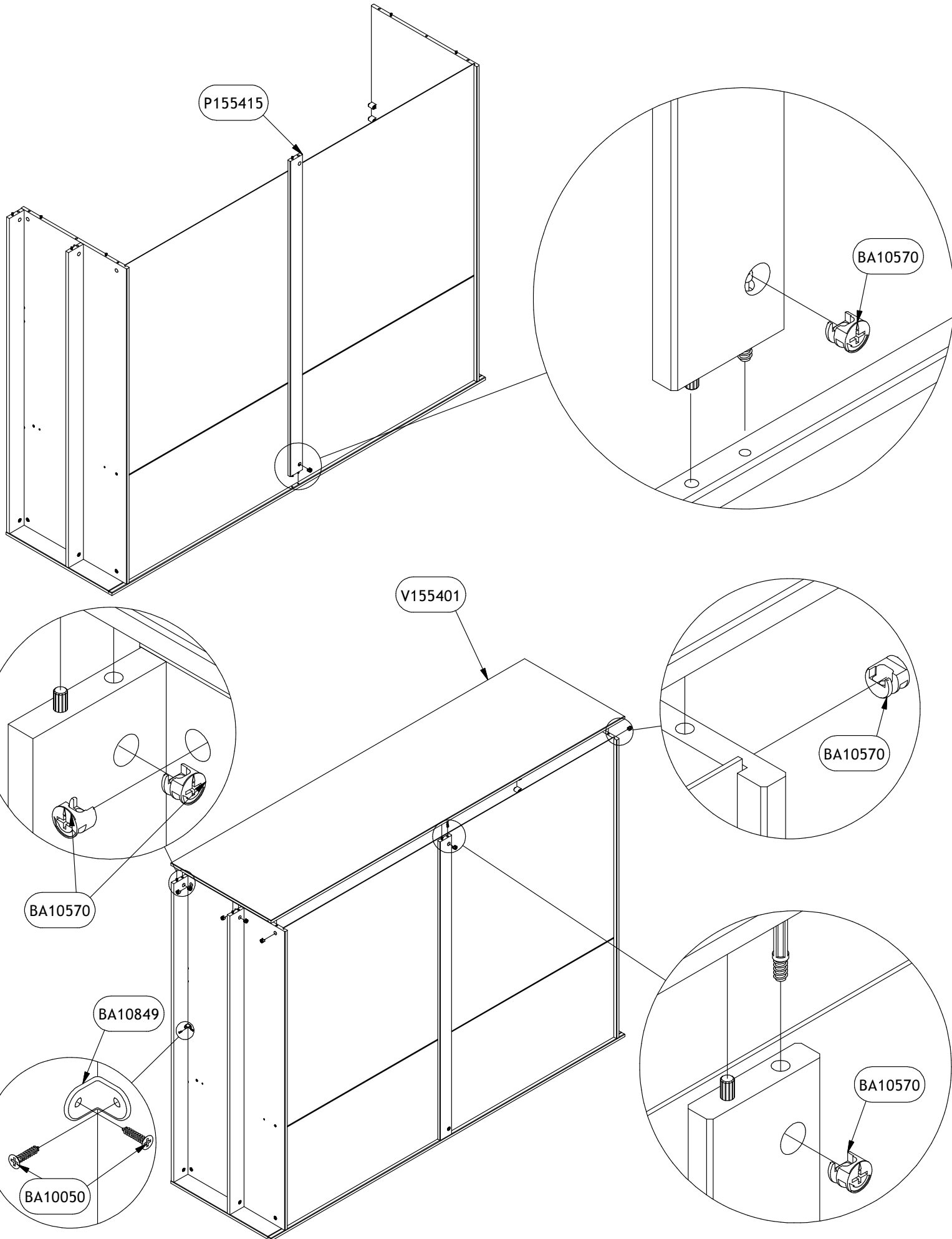


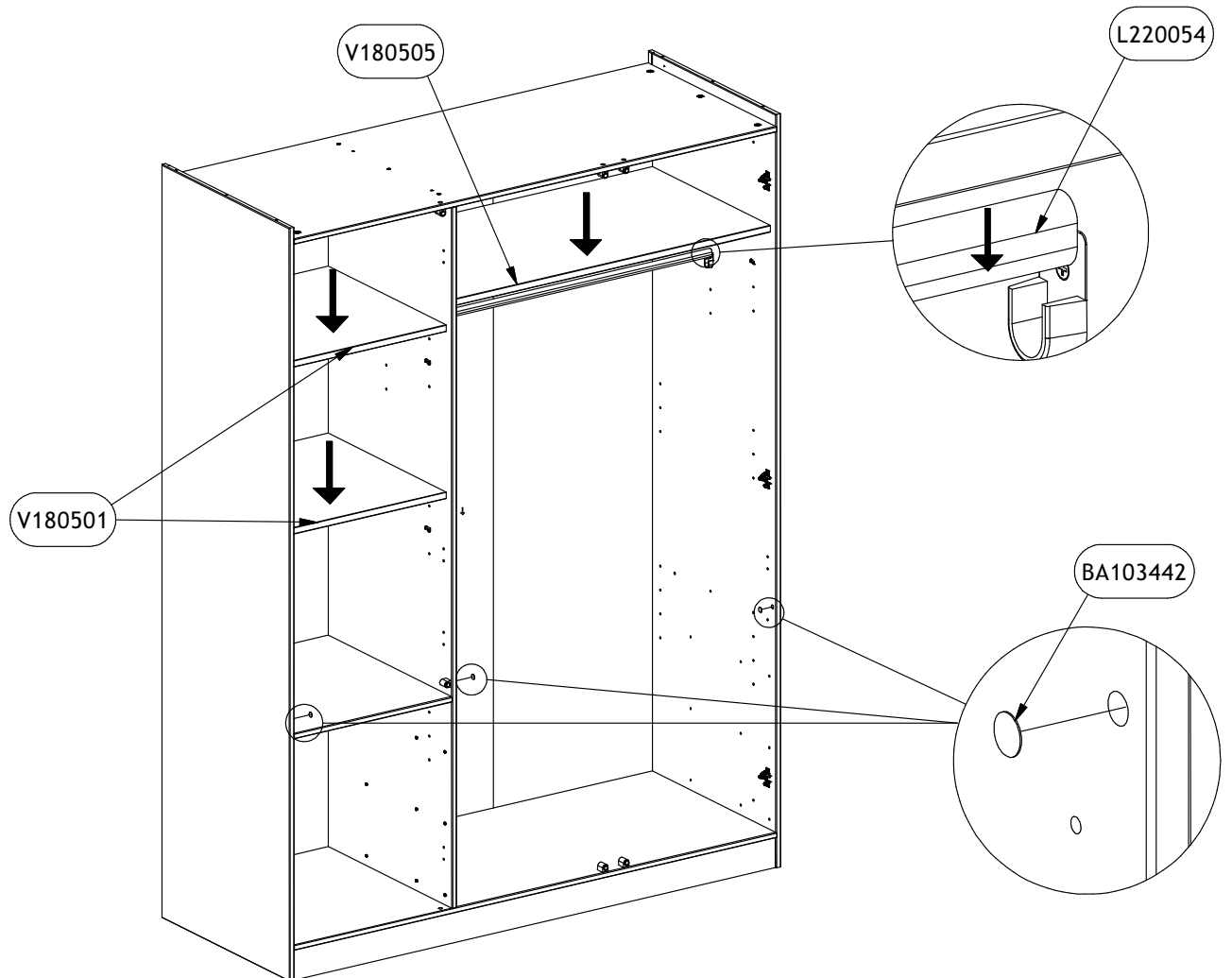
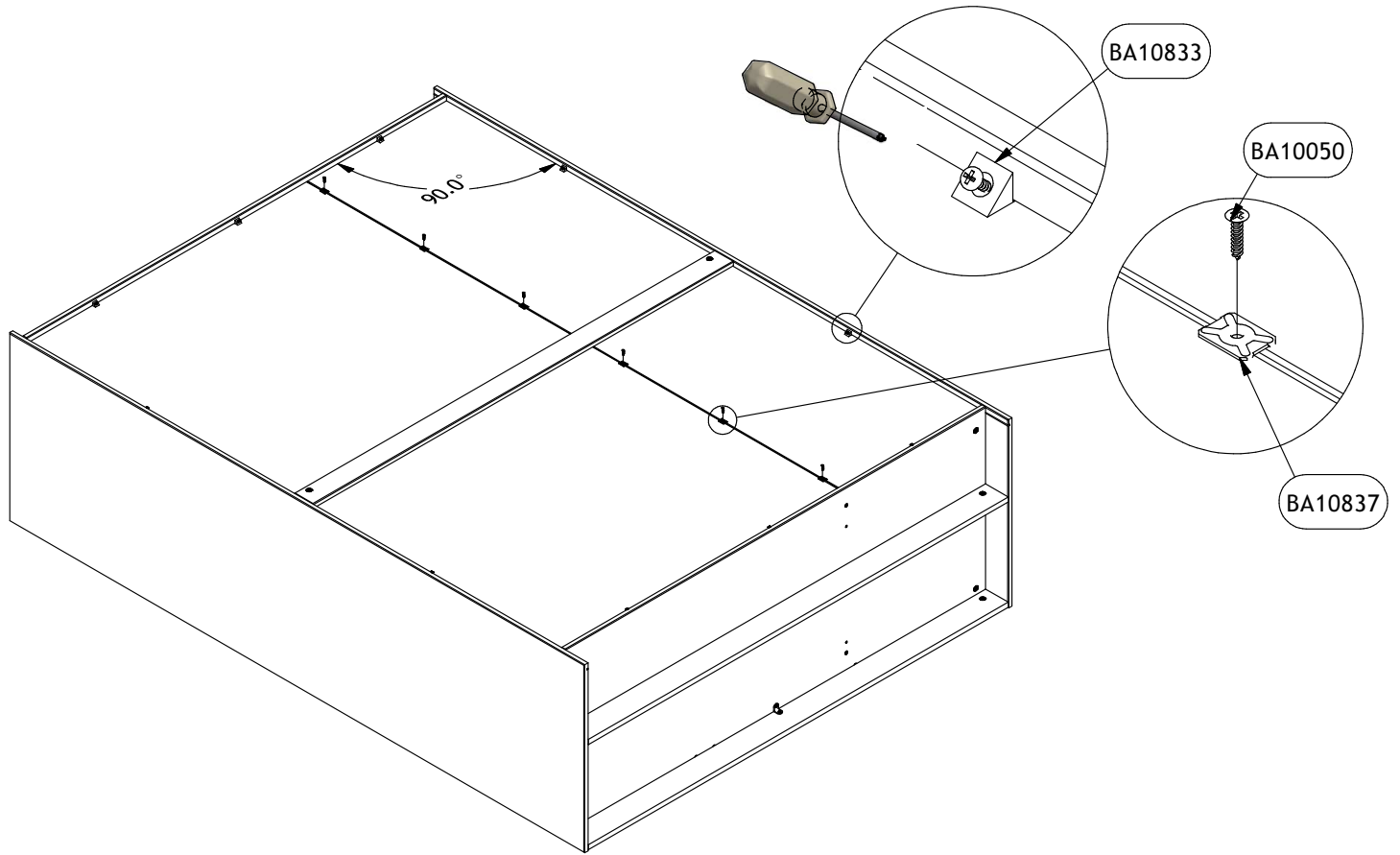


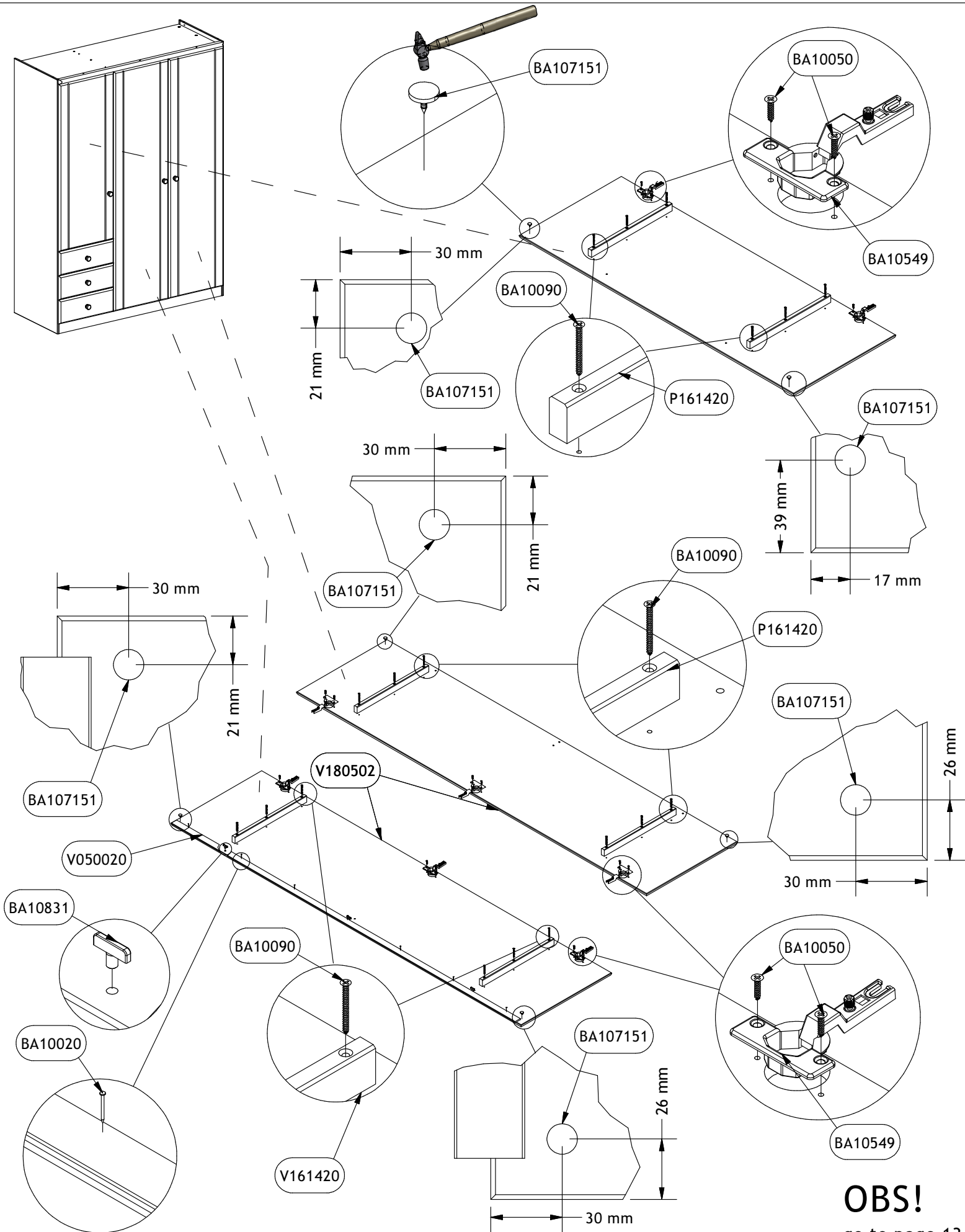












OBS!
go to page 13