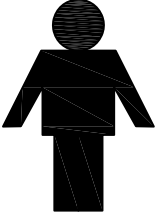
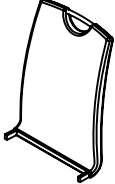
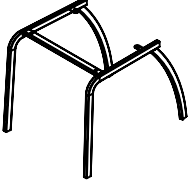
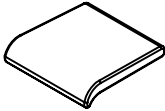

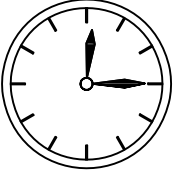



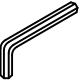


NC019 ASSEMBLY INSTRUCTION

	 ① × 1	 ② × 1	 ③ × 1	 M6×10 ④ × 4
	 M6×16 ⑤ × 2	 M6×25 ⑥ × 2	 $\phi 16 / \phi 6$ ⑦ × 4	 4# ⑧ × 1

