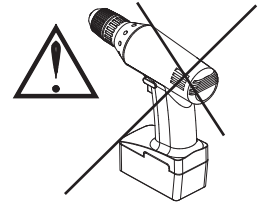
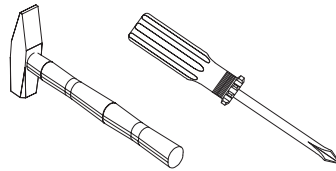
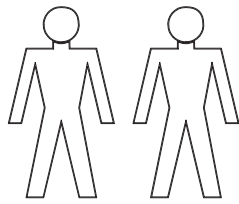
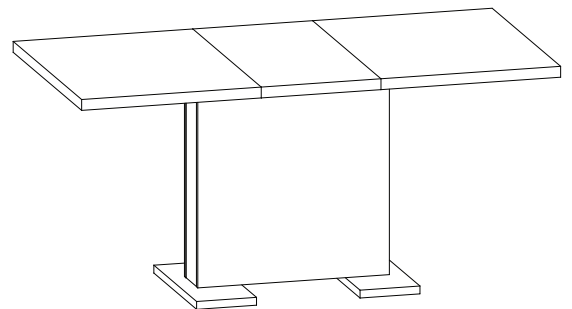
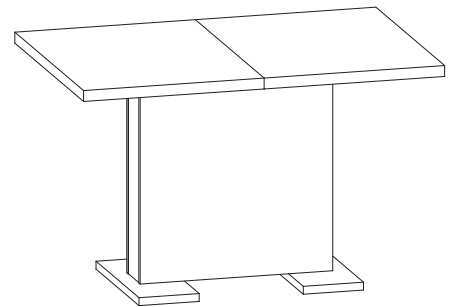
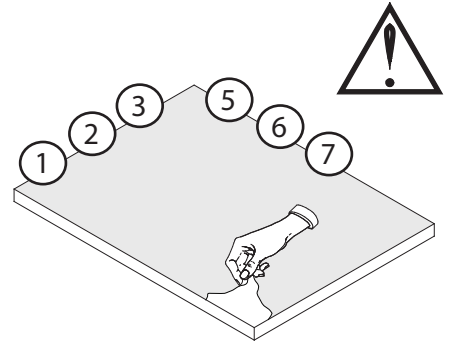
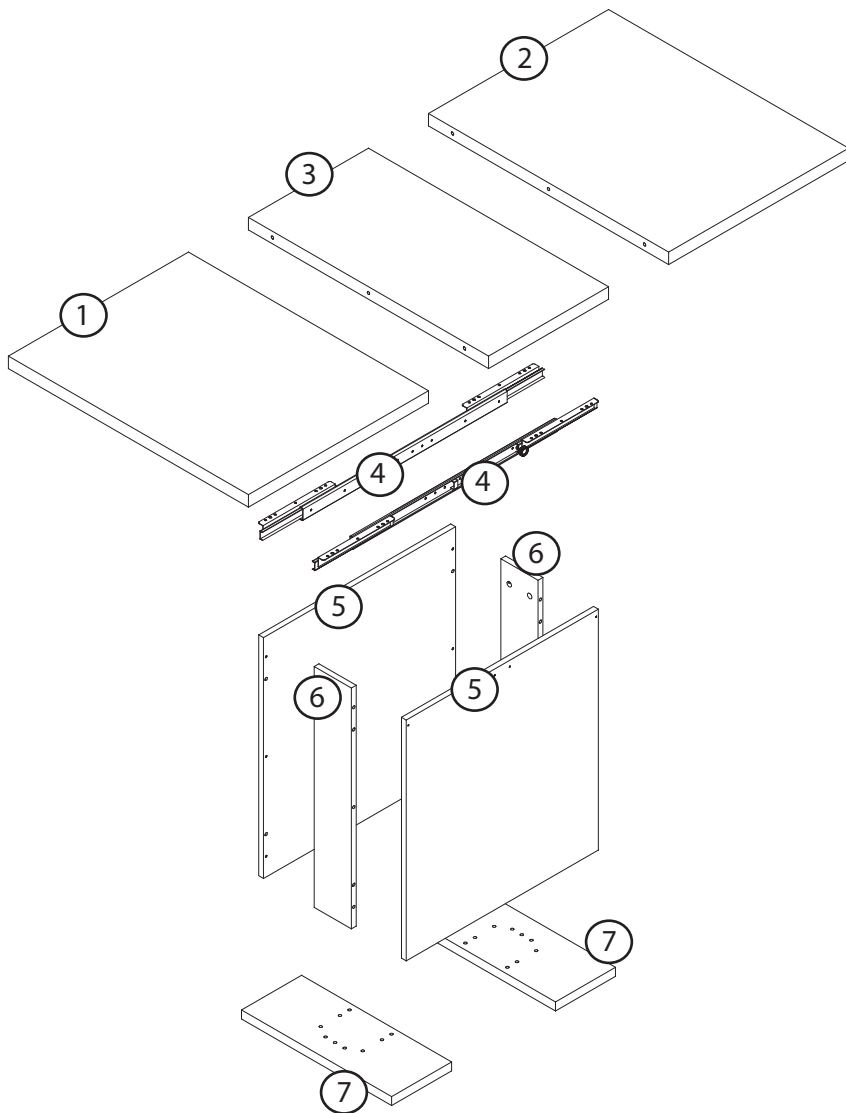


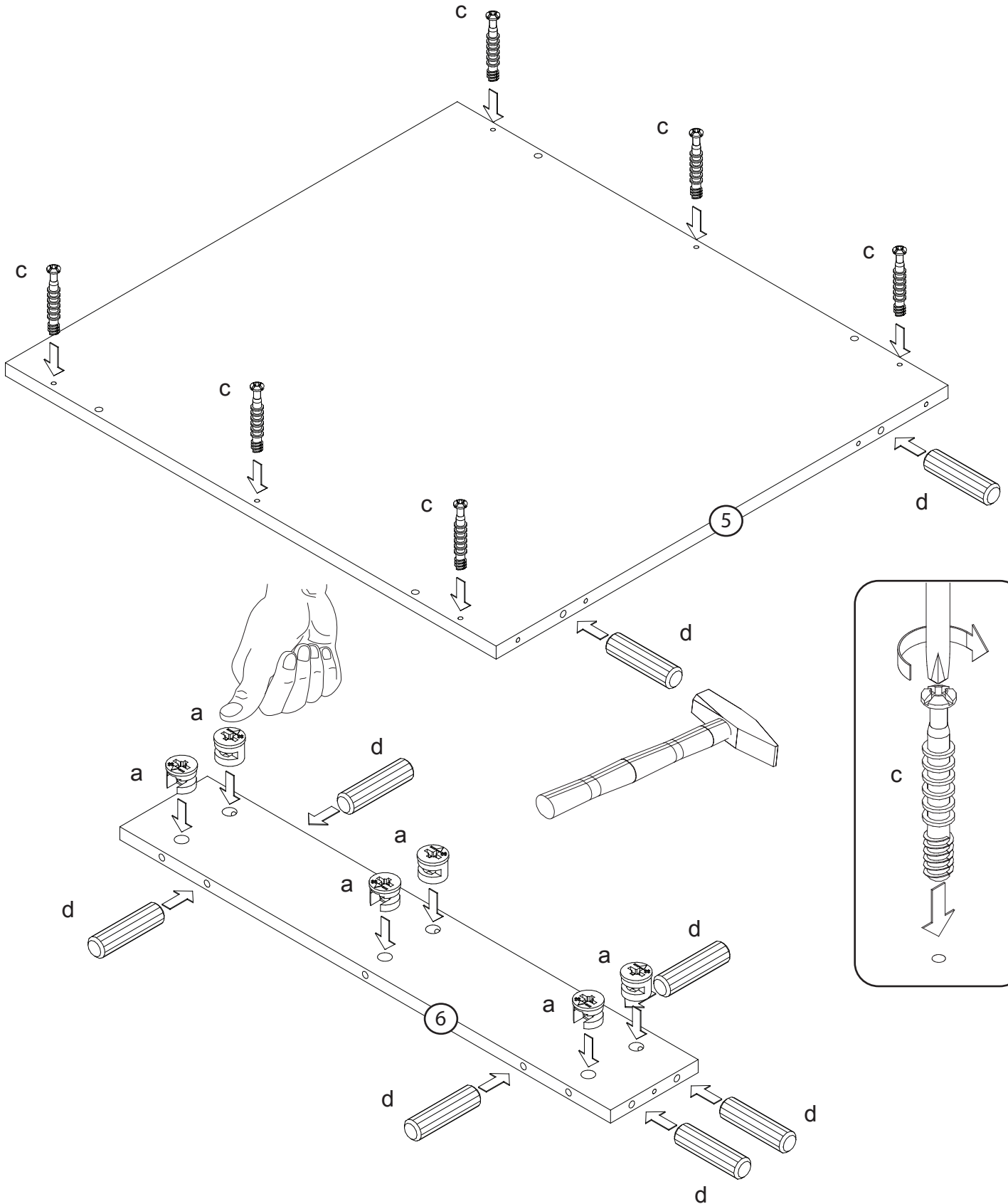
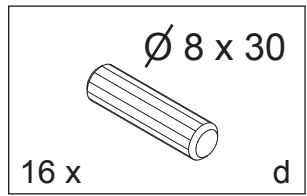
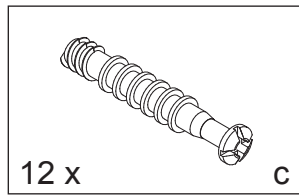
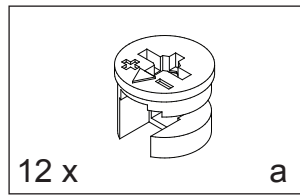
JULIA 2



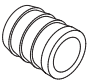
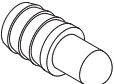
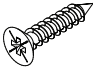
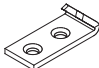
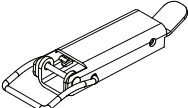
<p>12 x a</p>	<p>1 x b</p>	<p>12 x c</p>	<p>16 x d</p>	<p>10 x e</p>	<p>8 x f</p>
X....	X....	X....	X....	X....	X....
<p>6 x g</p>	<p>6 x h</p>	<p>4,0 x 25 i</p>	<p>4,0 x 16 j</p>	<p>4 x k</p>	<p>4 x l</p>
X....	X....	X....	X....	X....	X....

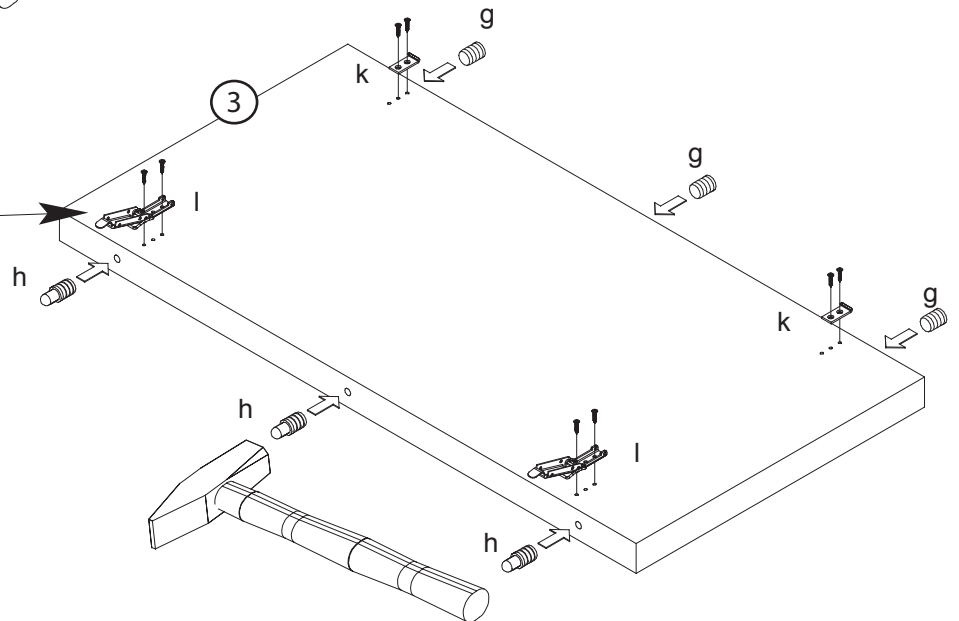
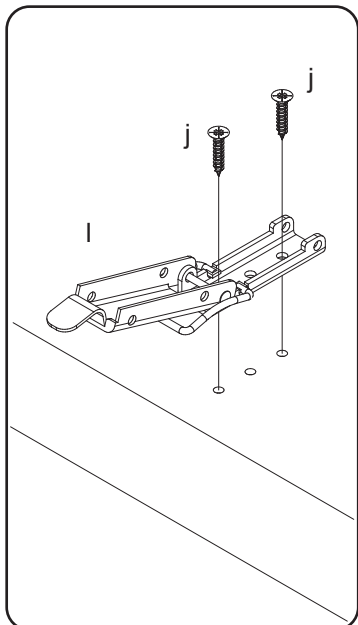
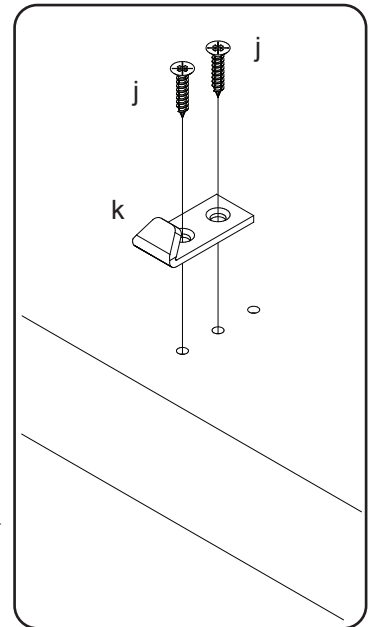
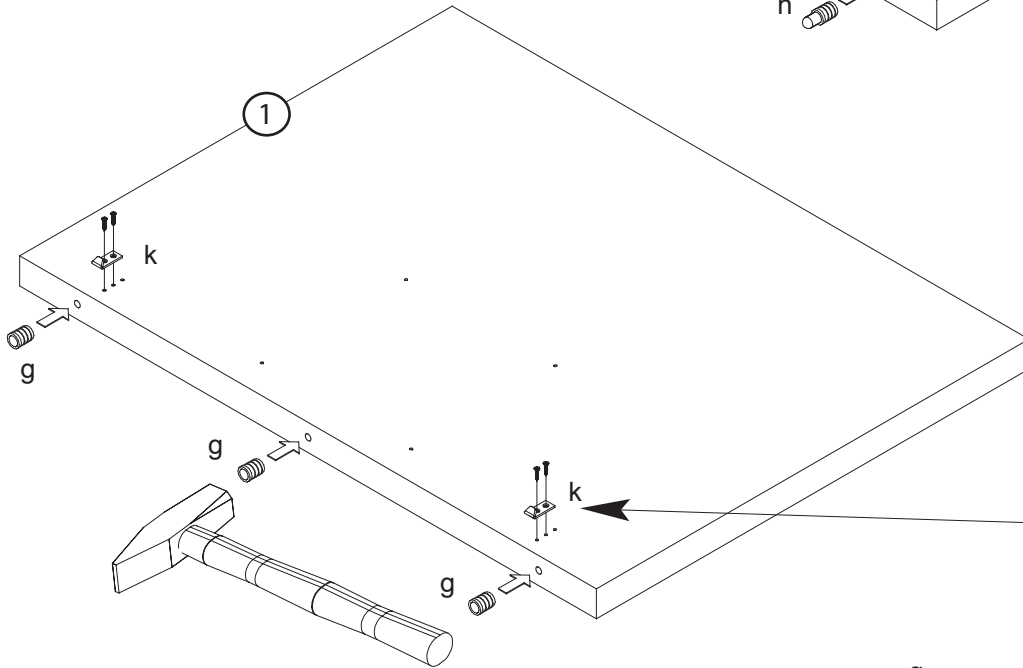
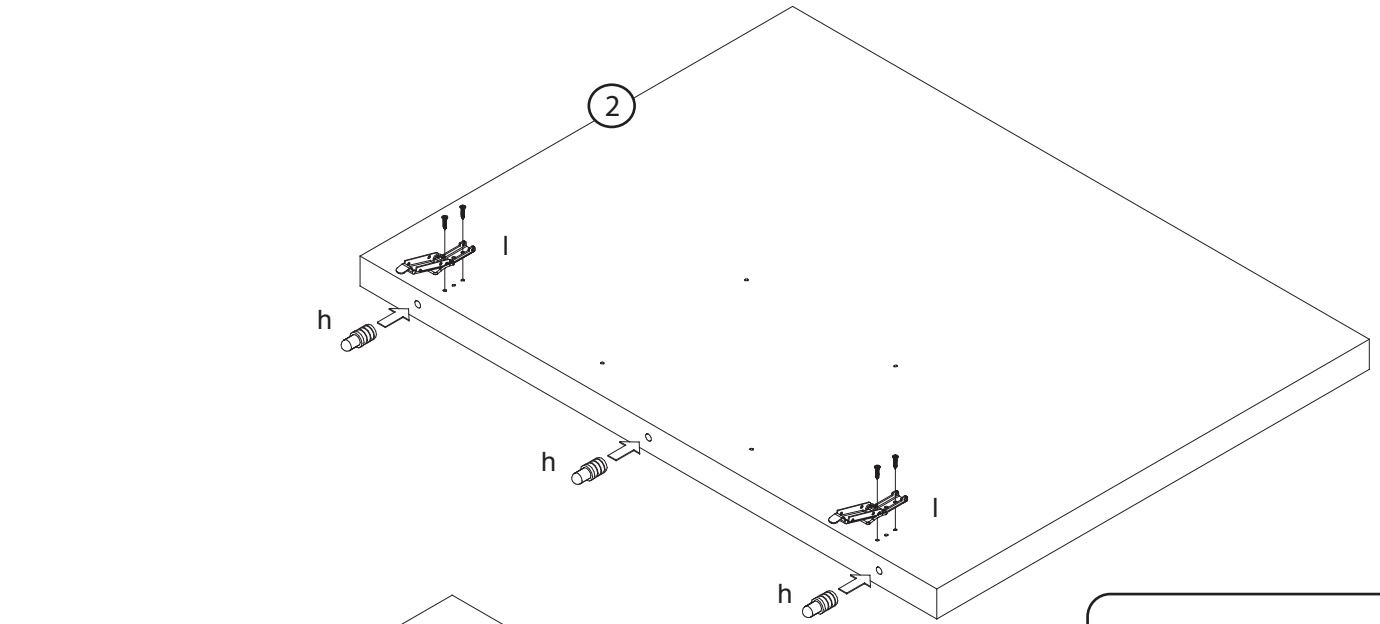


A 2 x

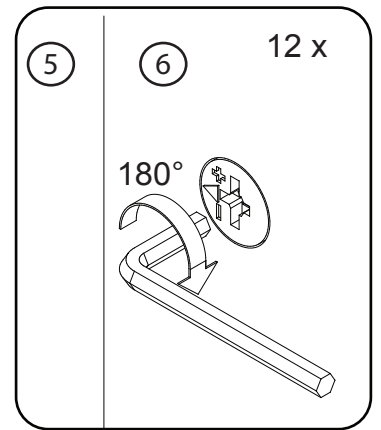
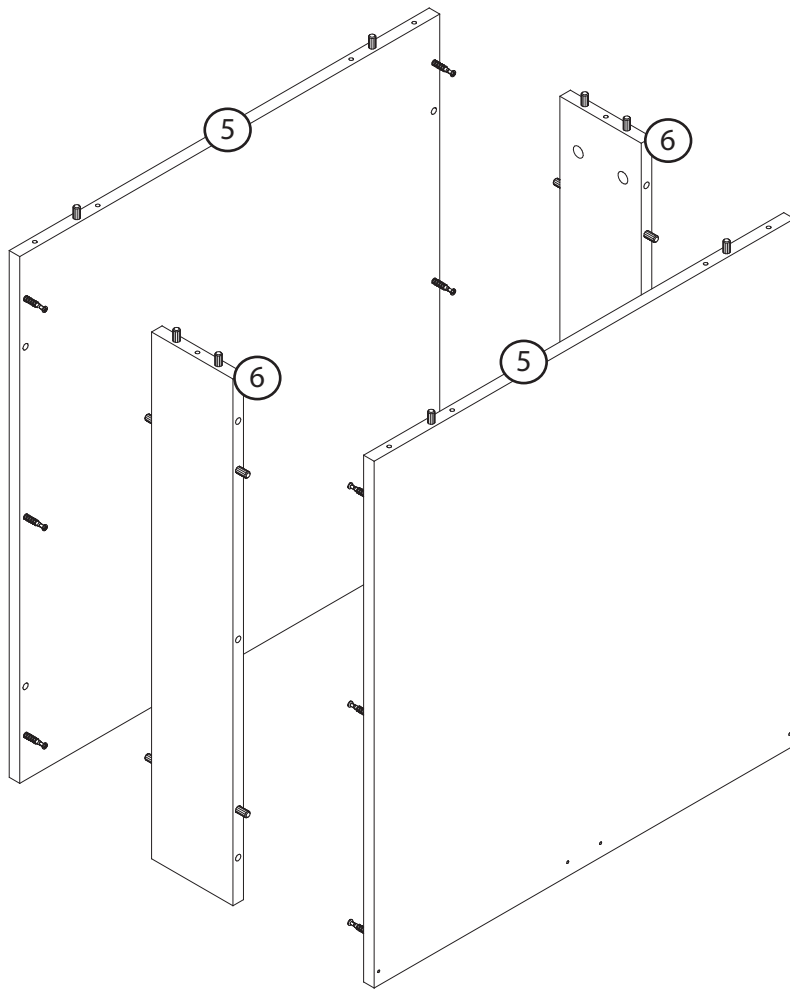


B

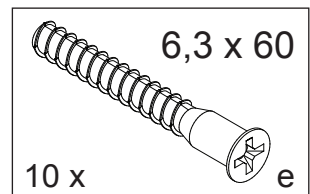
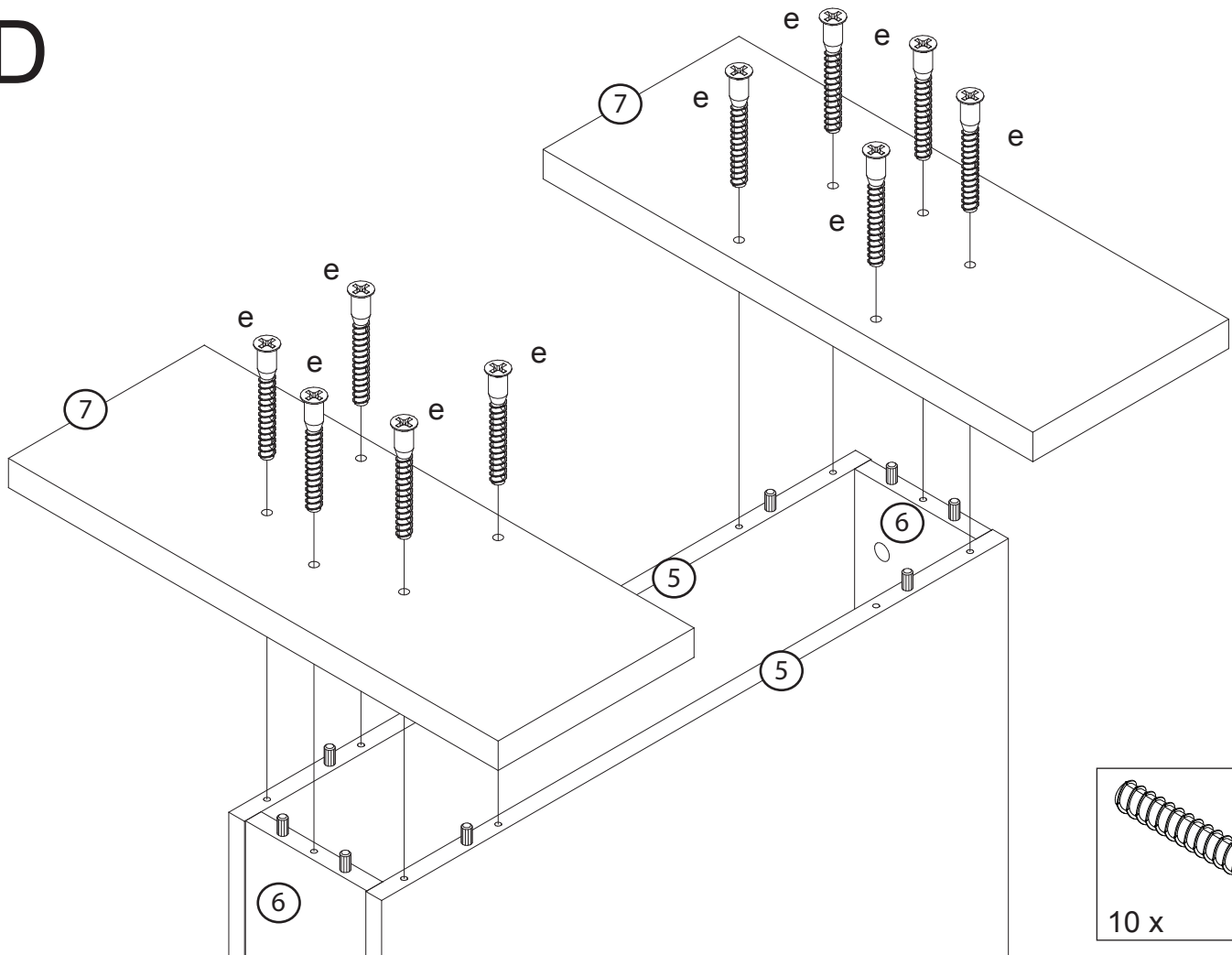
 6 x X.....	 6 x X.....	 4,0 x 16 16 x X.....	 4 x X.....	 4 x X.....
---	---	---	---	---



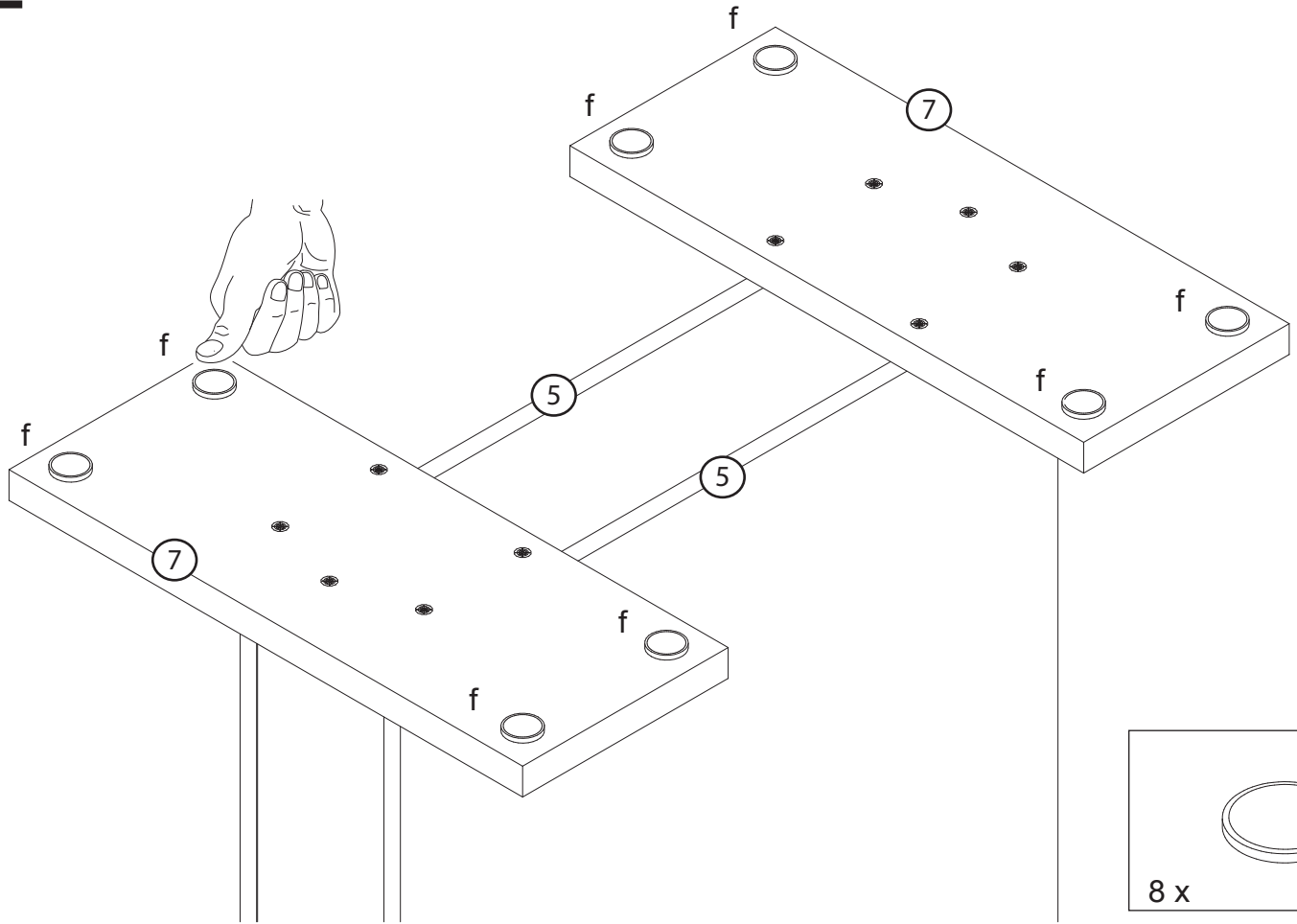
C



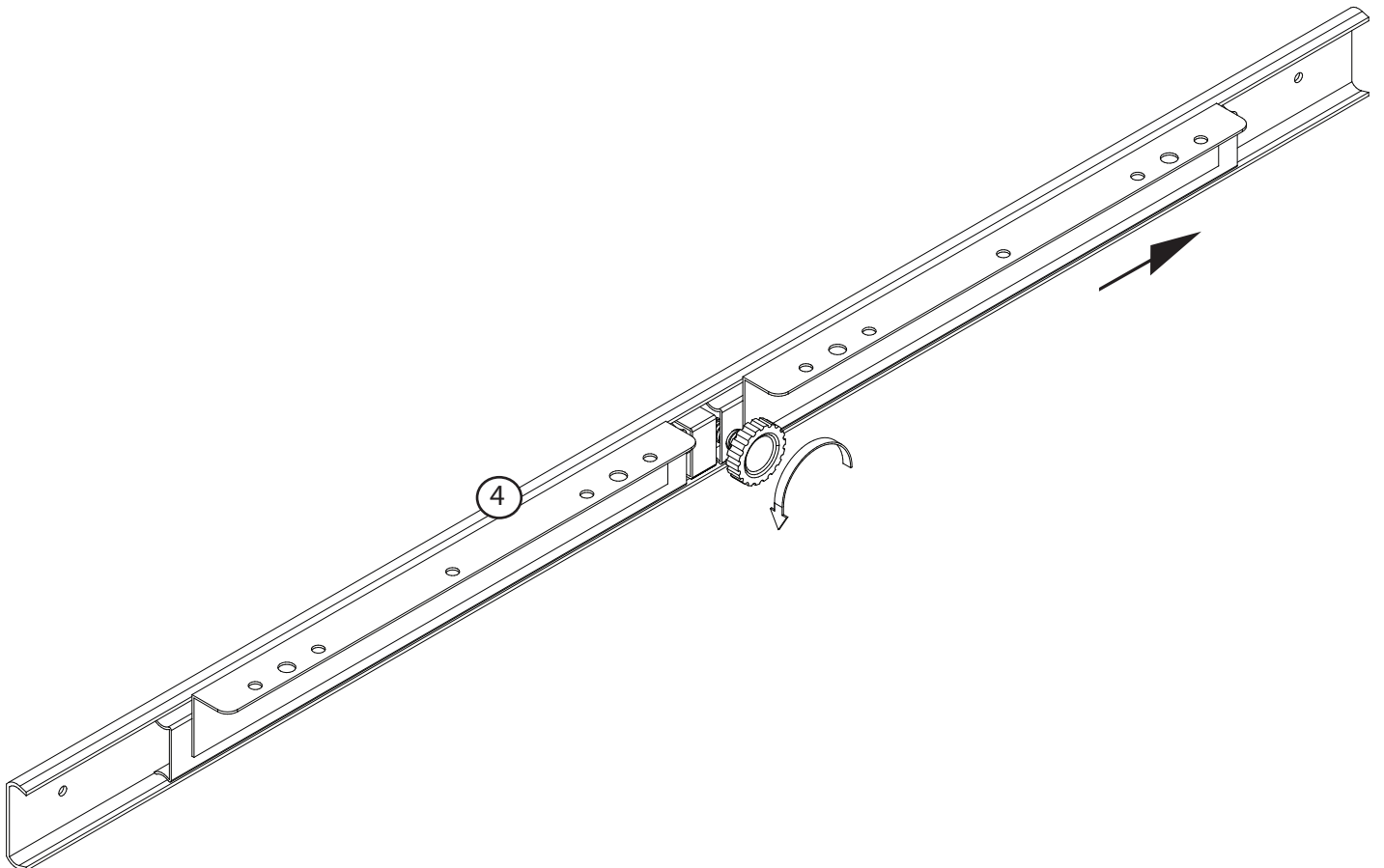
D



E

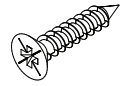


F



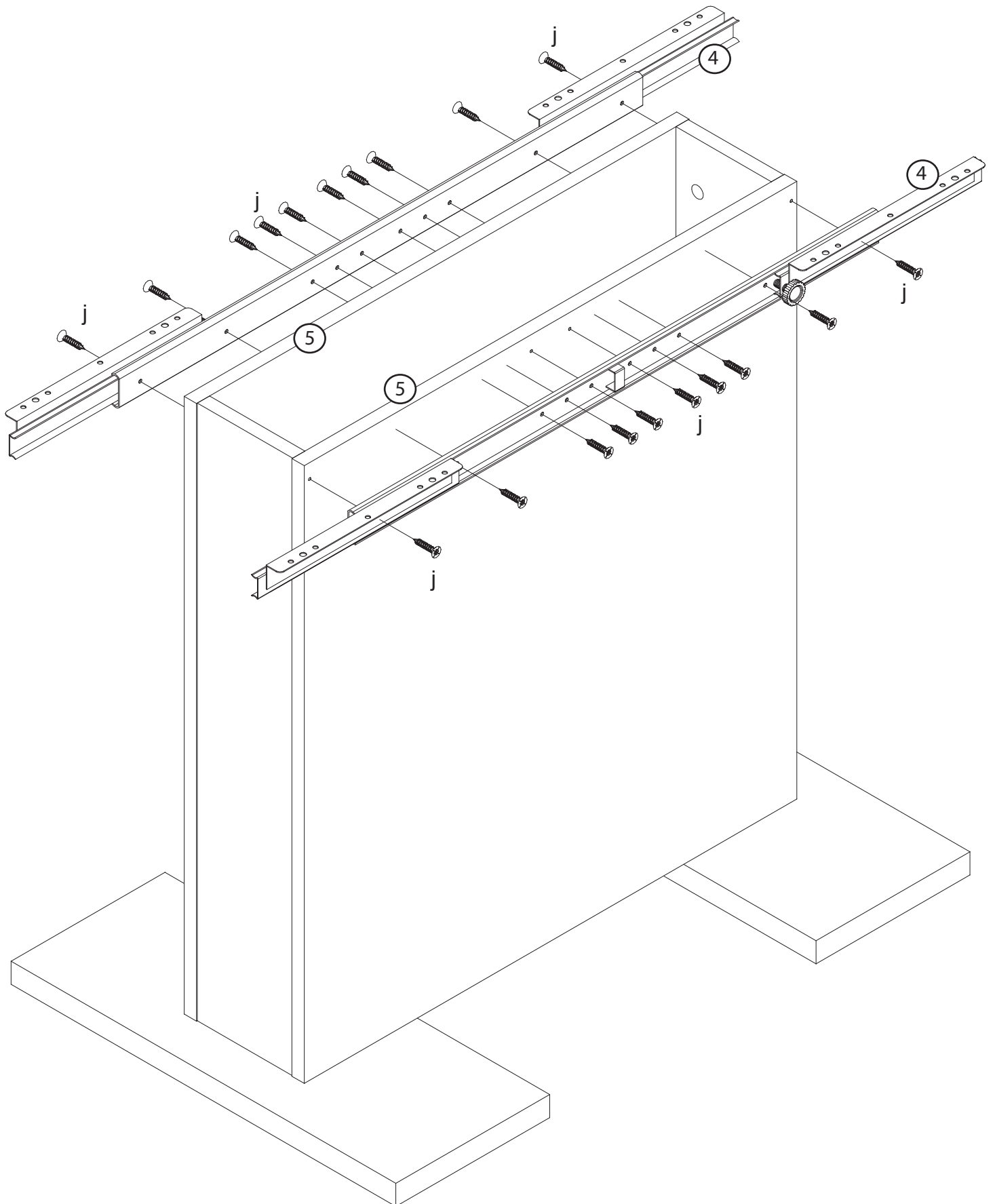
G

4,0 x 16

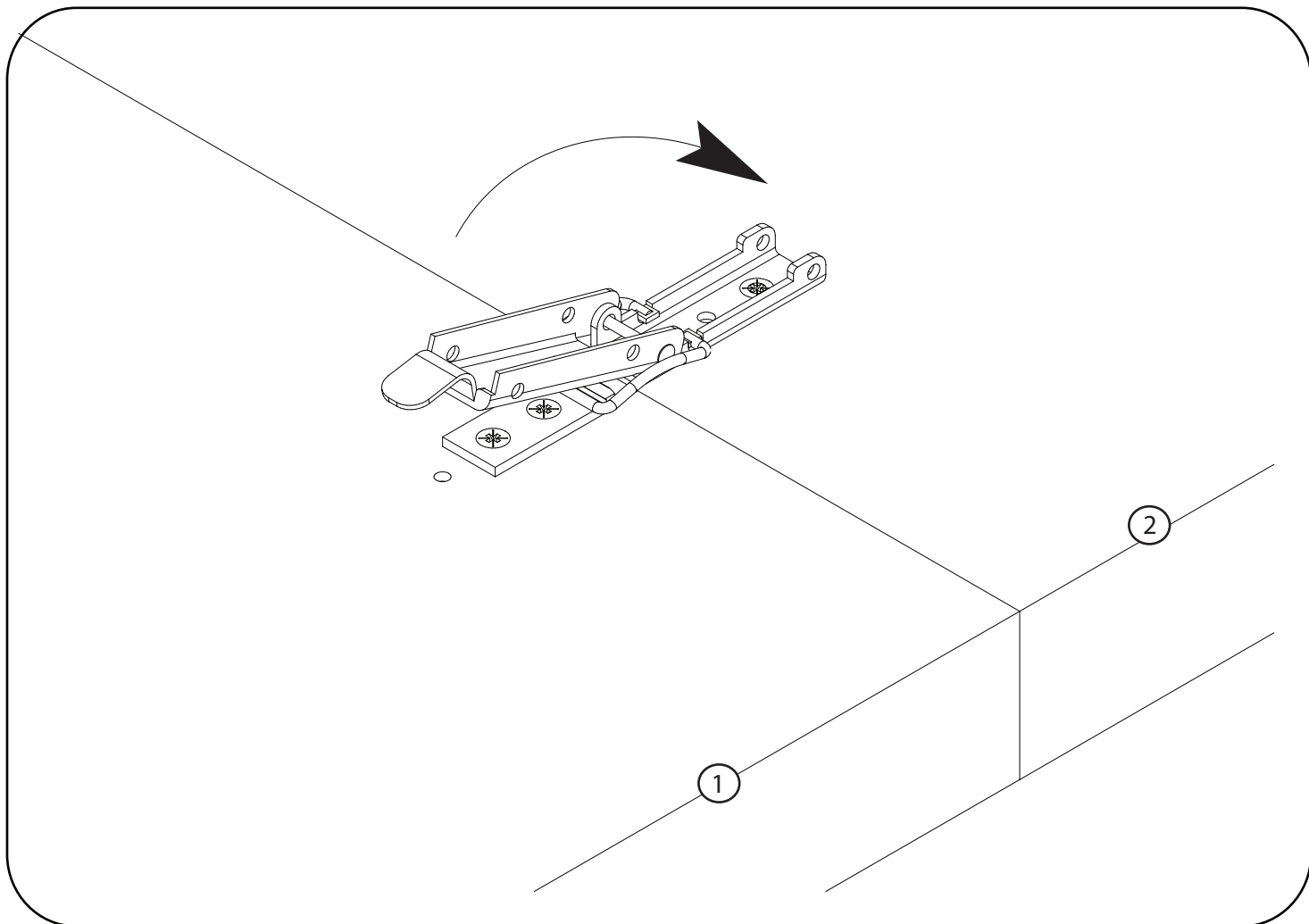
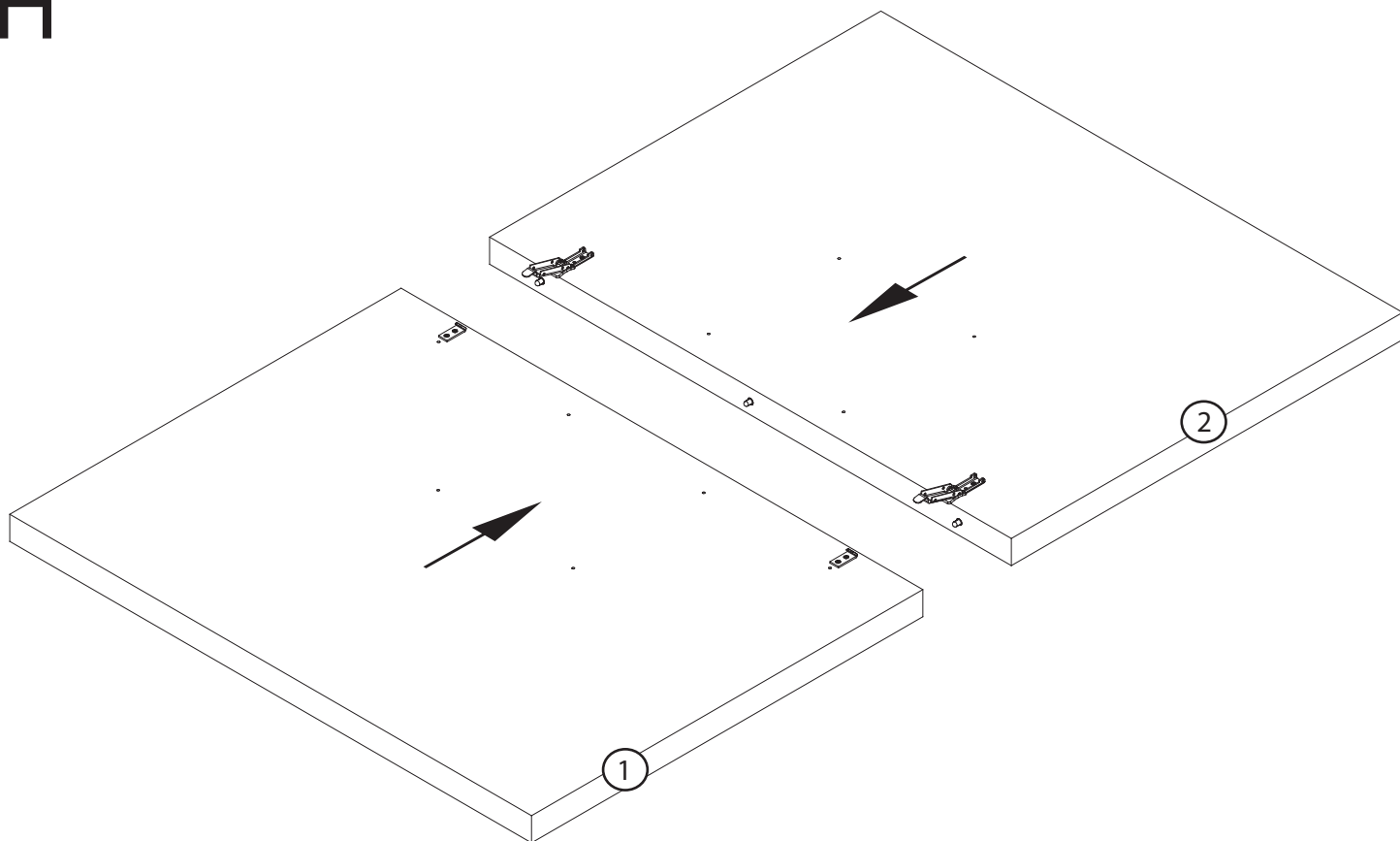


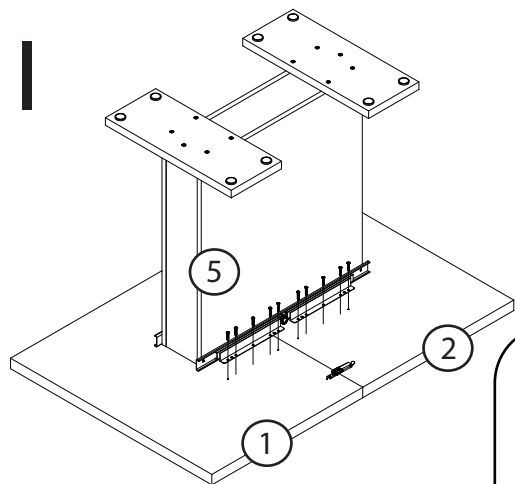
20 x

j



H





4,0 x 25
 20 x i

