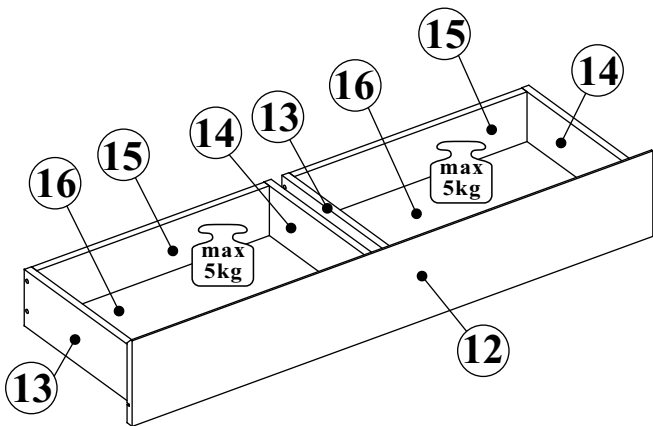
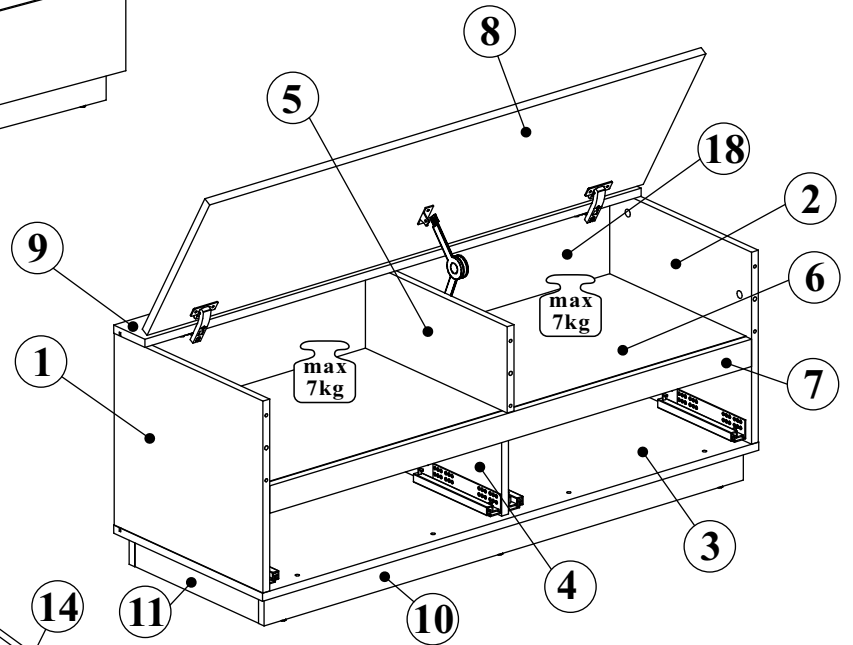
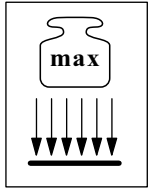
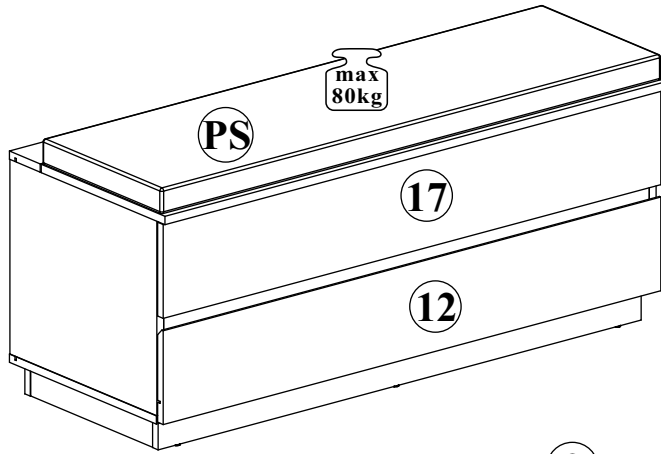
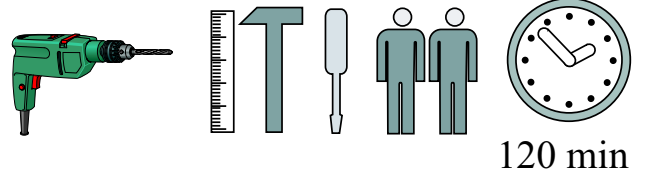


SINTRA

30 90 -- 60

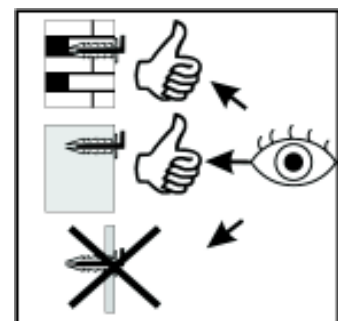
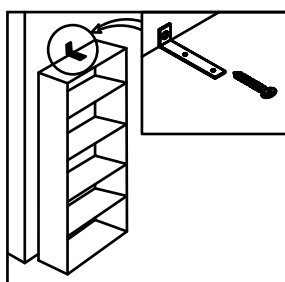
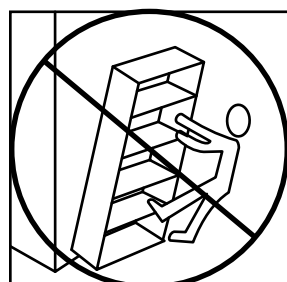
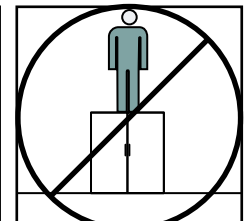
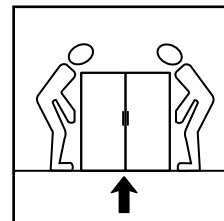
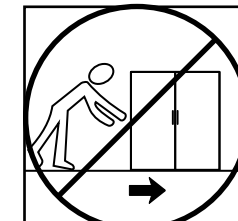
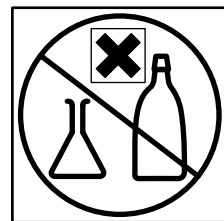
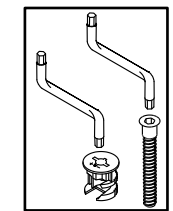
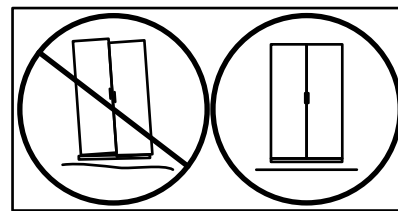
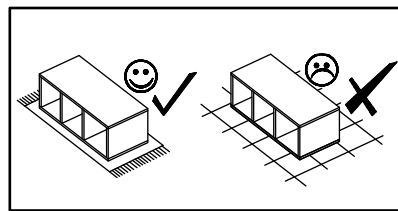
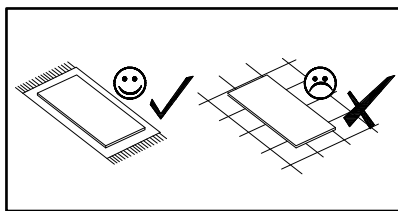
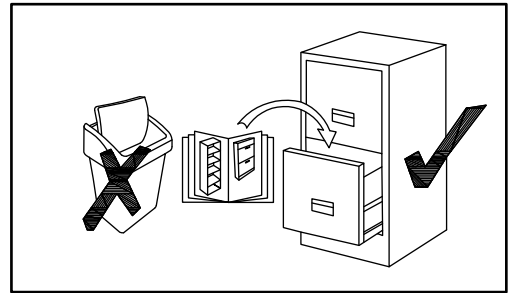
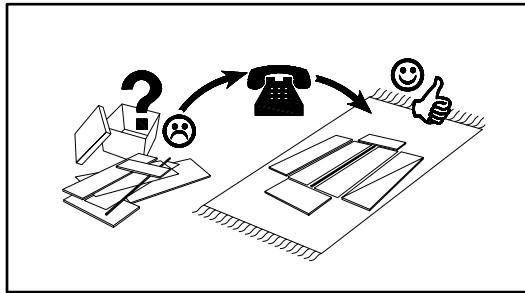
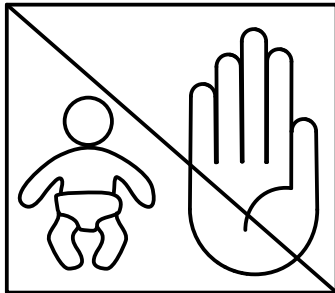
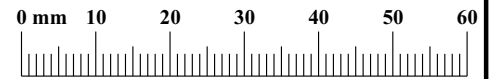


NO	Dim.		Col.-No	Qty
1	378	430	1	1
2	378	430	1	1
3	1170	430	1	1
4	192	394	1	1
5	170	410	1	1
6	1136	394	1	1
7	1136	54	1	1
8	1170	362	1	1
9	1170	90	1	1
10	1130	60	1	2
11	358	60	1	2
12	1164	182	1	1
13	350	120	1	2
14	350	120	1	2
15	520	106	1	2
16	531	353	1	2
17	1164	182	1	1
18	1148	390	1	1



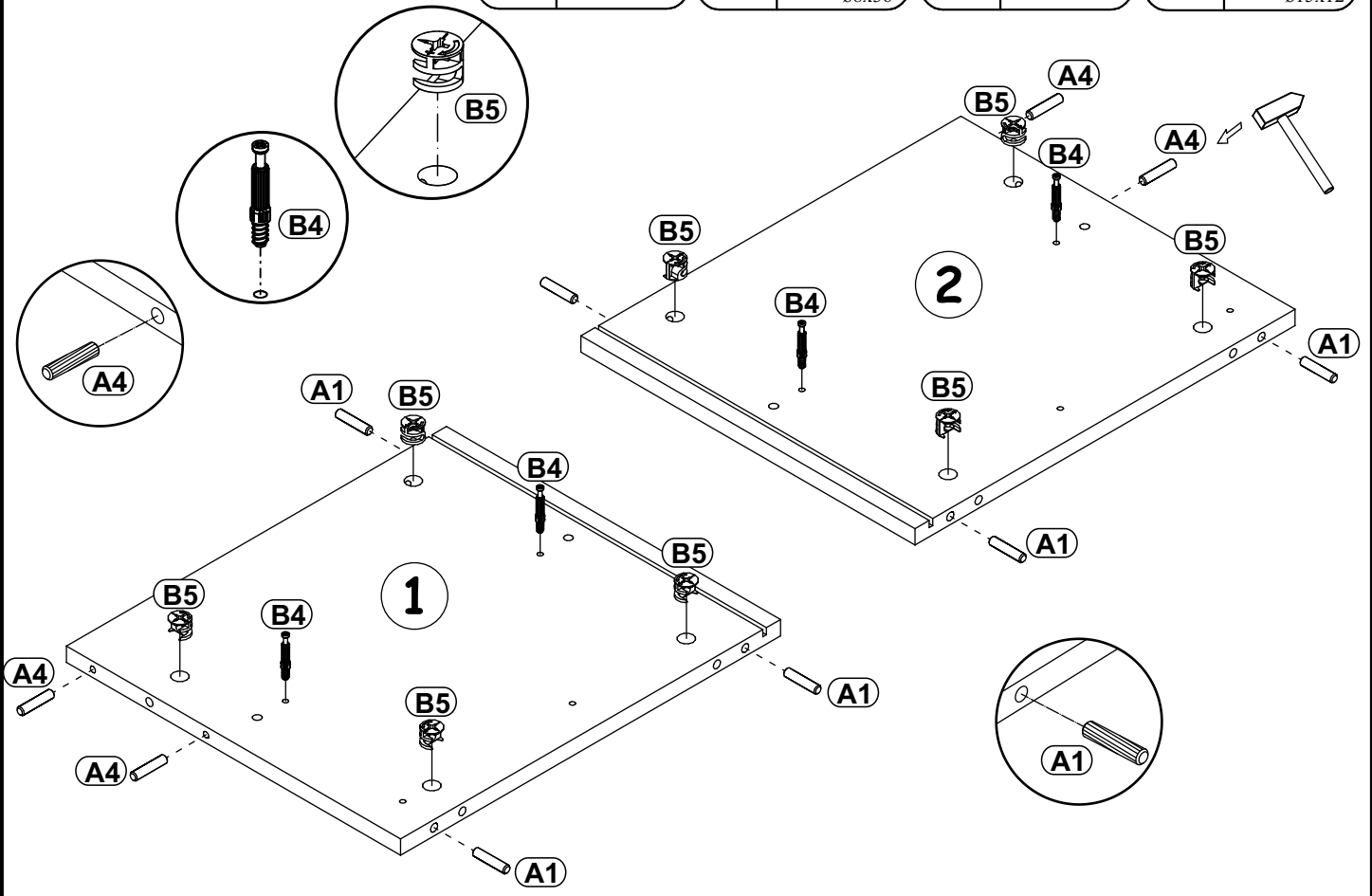
SINTRA 30 90 -- 60

A1 x49 ø8x36	B4 x24	B5 x28 ø15x12	G5 x28	B11 x20 Ø7x50	G4 x20
E13 x2	E12 x2 H=2	D10 x16 USØ3,5x13	SFD x1	UP14 x4 UPØ3,5x13	S1 x10
QU x2 L-350	D27 x8 ESØ6x8	UP13 x11 UPØ3x16	I2 x6	L1 x2	KR1 x2
B6 x2 Ø7x76	A4 x6 Ø6x36	P3 x3	G2 x1		



1

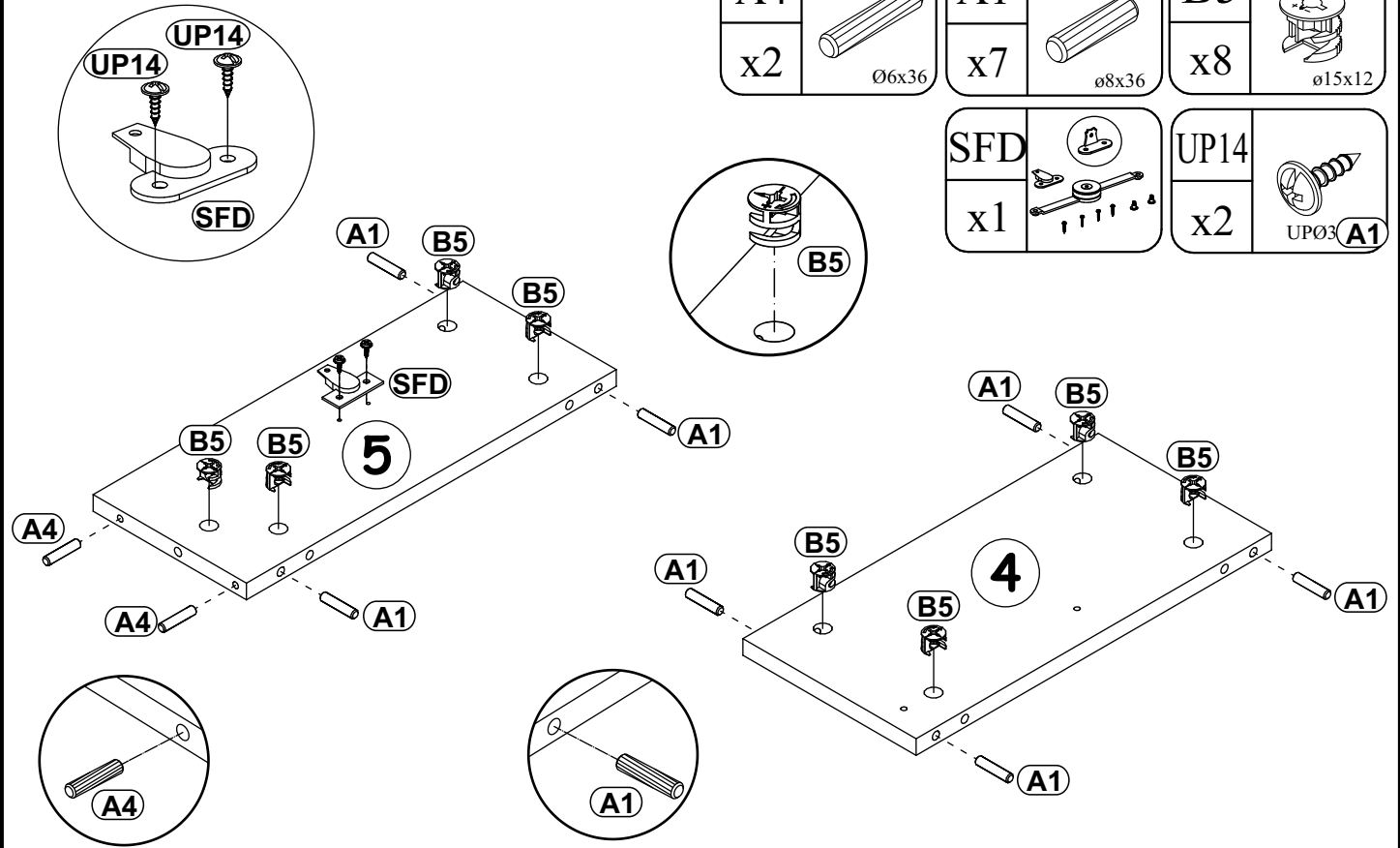
A4		A1		B4		B5	
x4	Ø6x36	x6	ø8x36	x4		x8	ø15x12



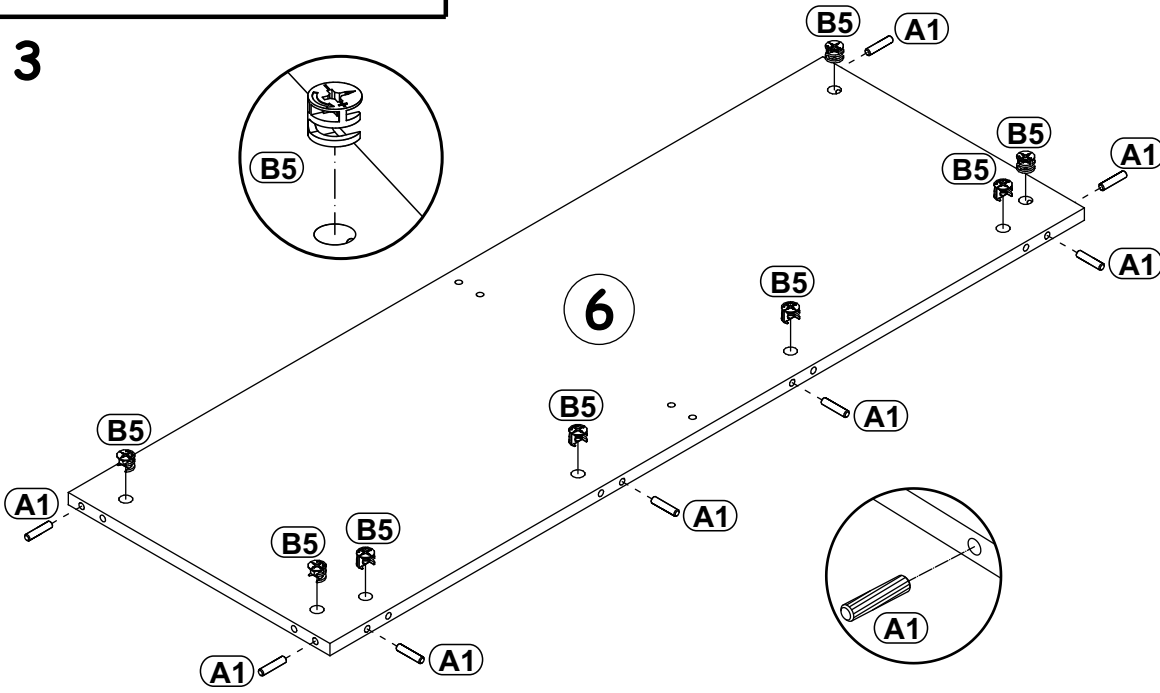
2

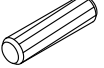
A4		A1		B5	
x2	Ø6x36	x7	ø8x36	x8	ø15x12


SFD		UP14	
x1		x2	UP03 (A1)



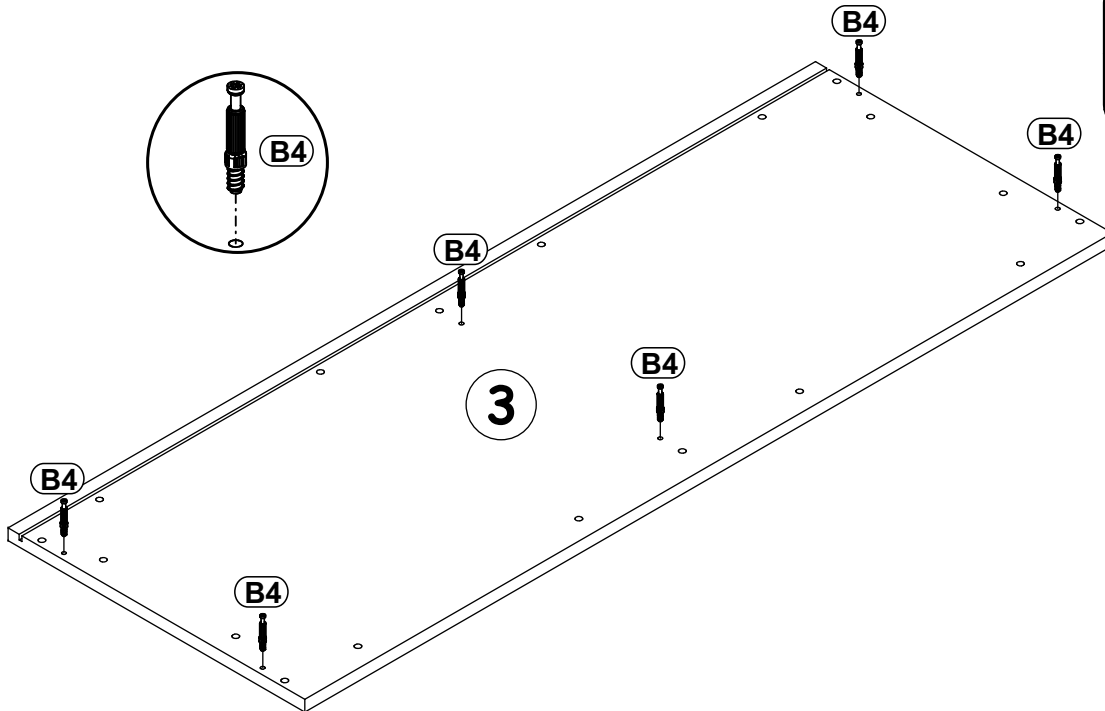
3

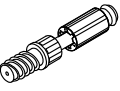


A1	
x8	ø8x36

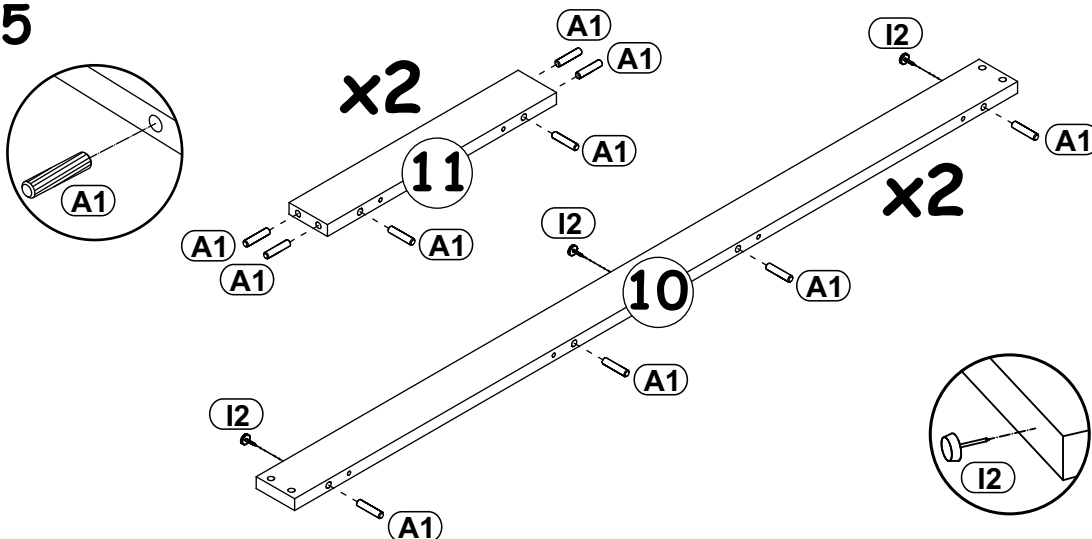
B5	
x8	ø15x12

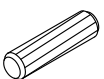
4

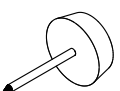


B4	
x6	

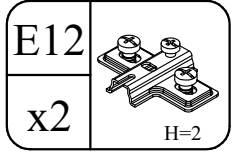
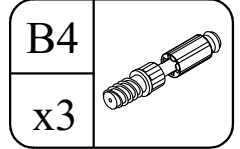
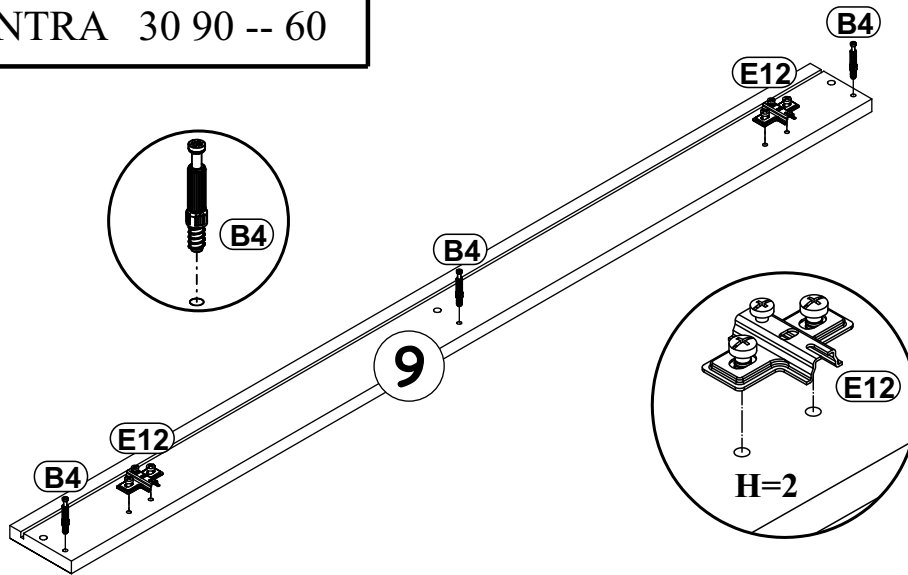
5



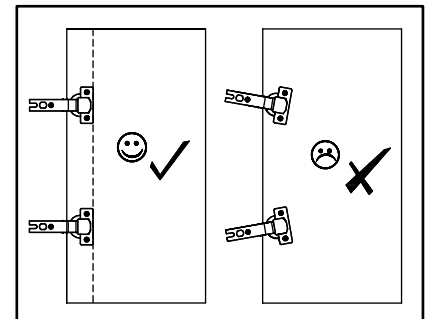
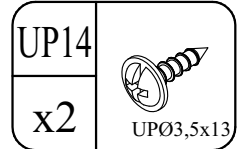
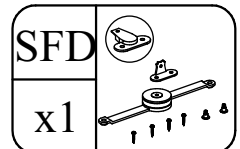
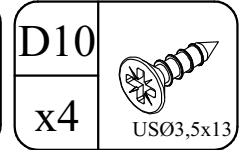
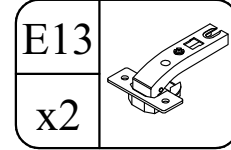
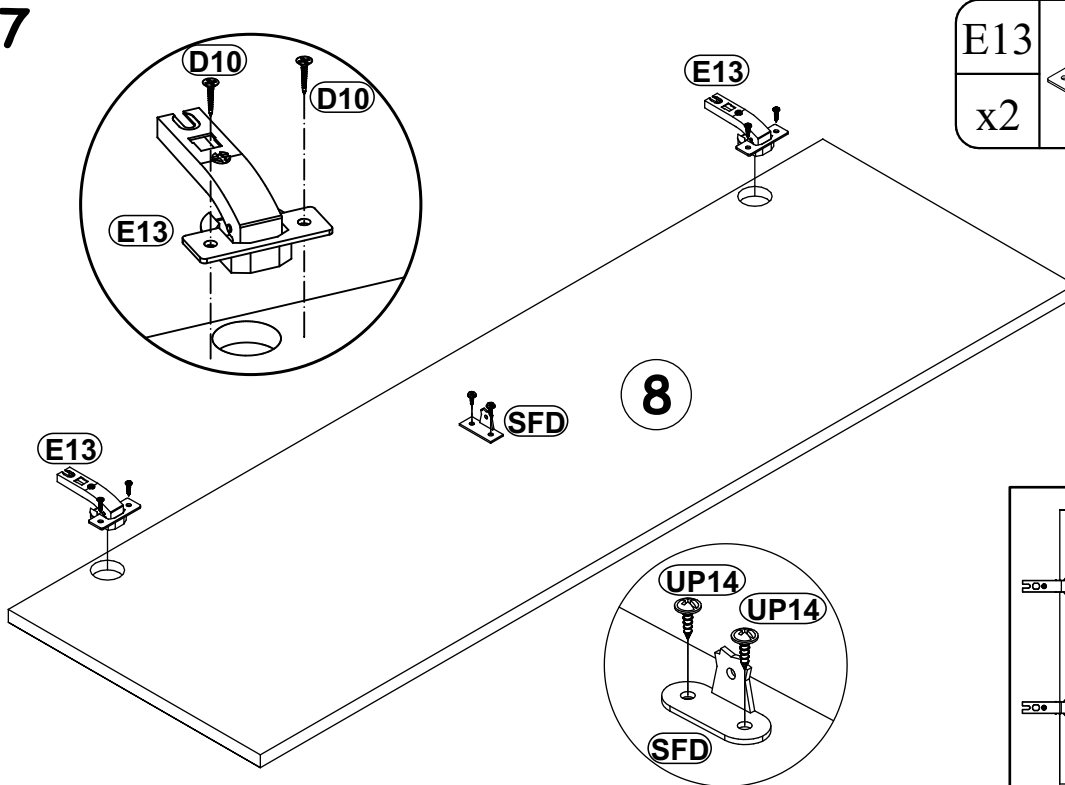
A1	
x20	ø8x36

I2	
x6	

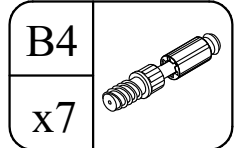
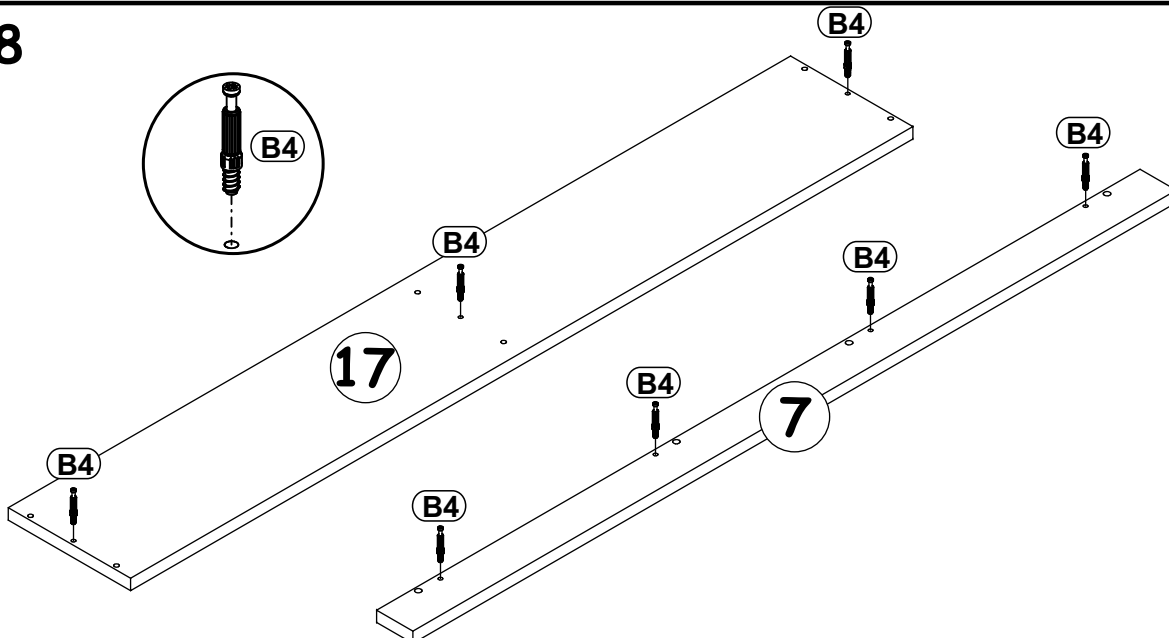
6



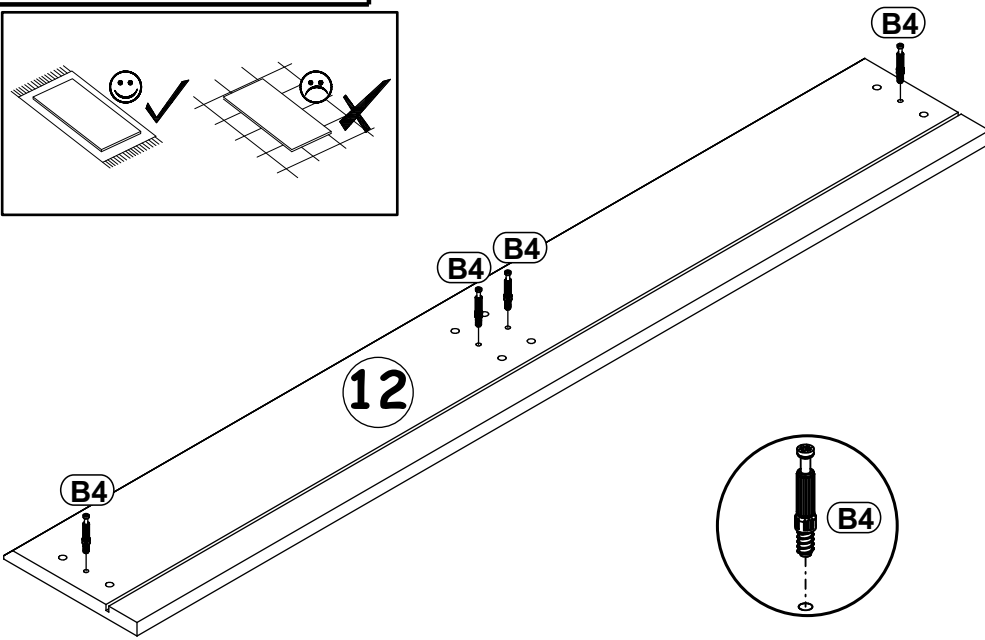
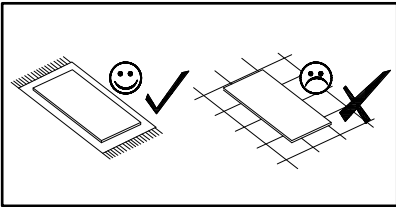
7

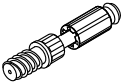


8

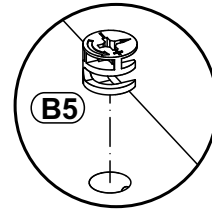
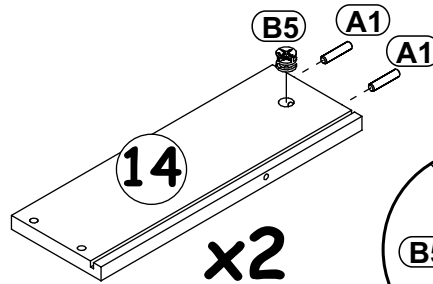
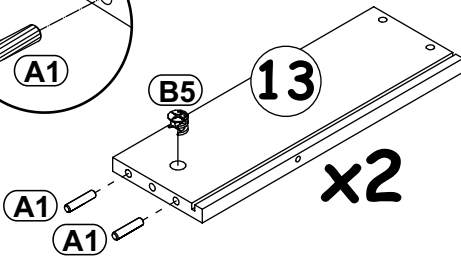
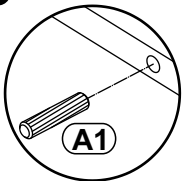


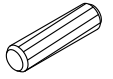
9




B4	
x4	

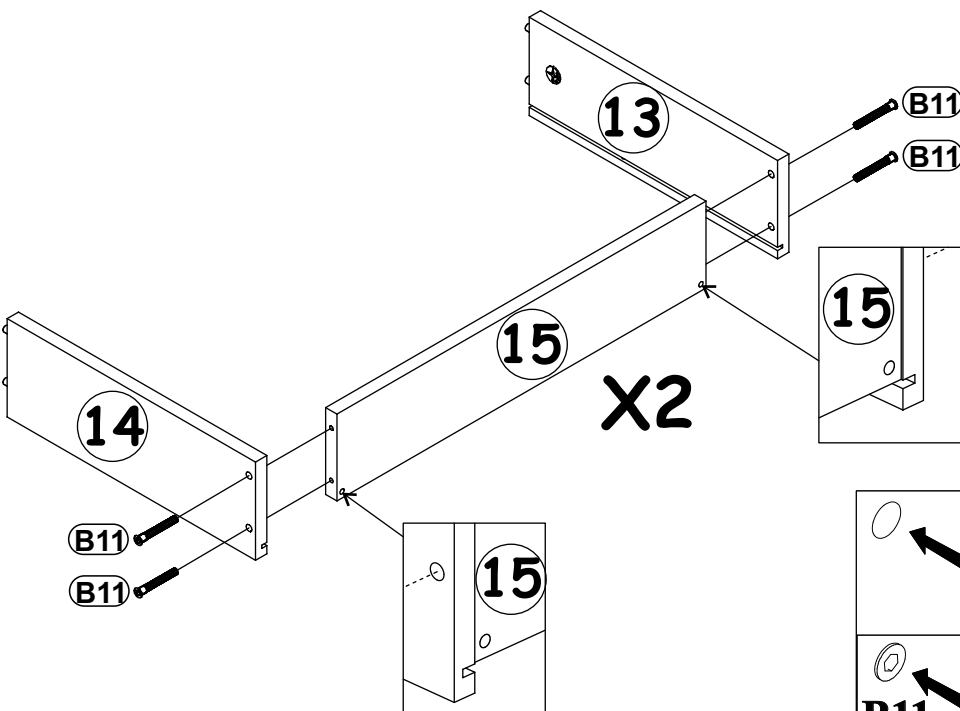
10





A1	
x8	ø8x36

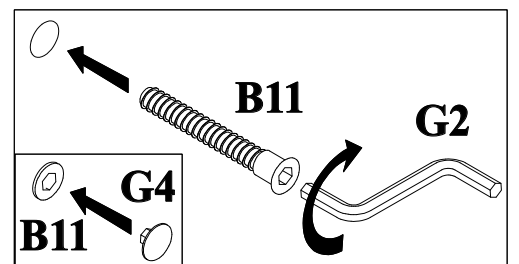
B5	
x4	ø15x12

11



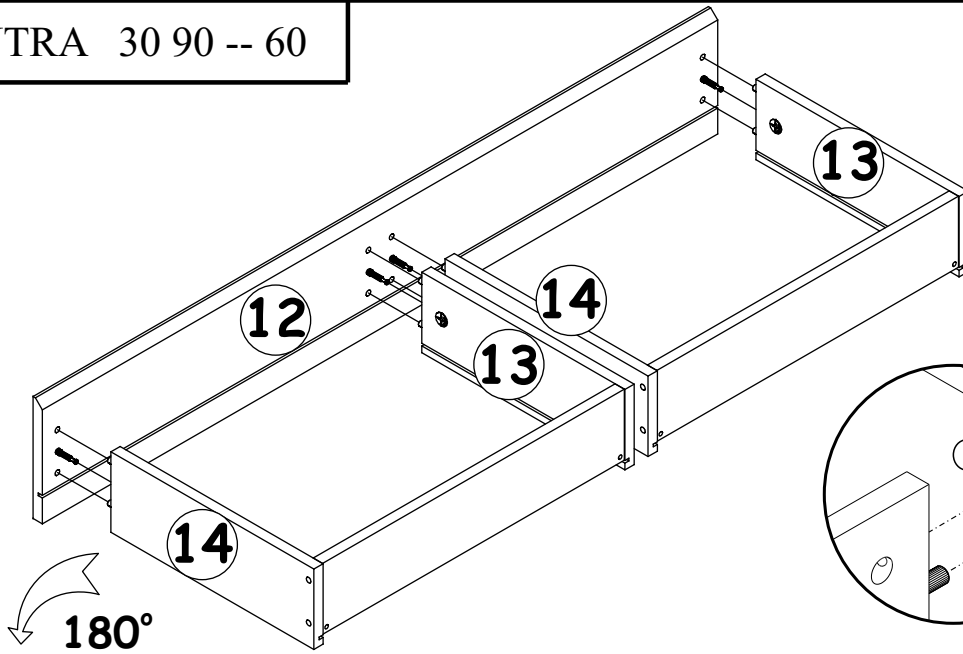
B11	
x8	Ø7x50

G4	
x8	



SINTRA 30 90 -- 60

12

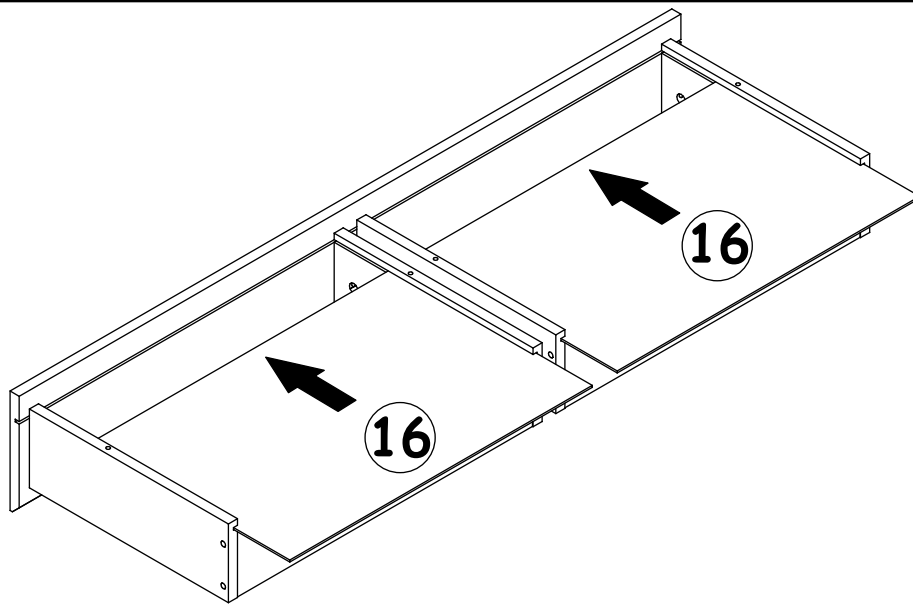


G5

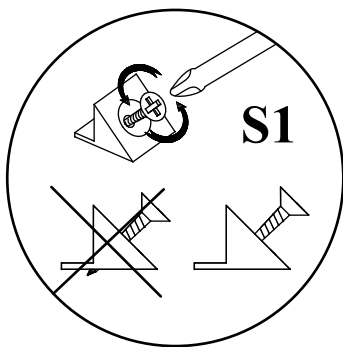
x4



13

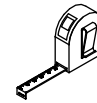


14



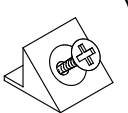
S1

X=Y 90°



S1

x2

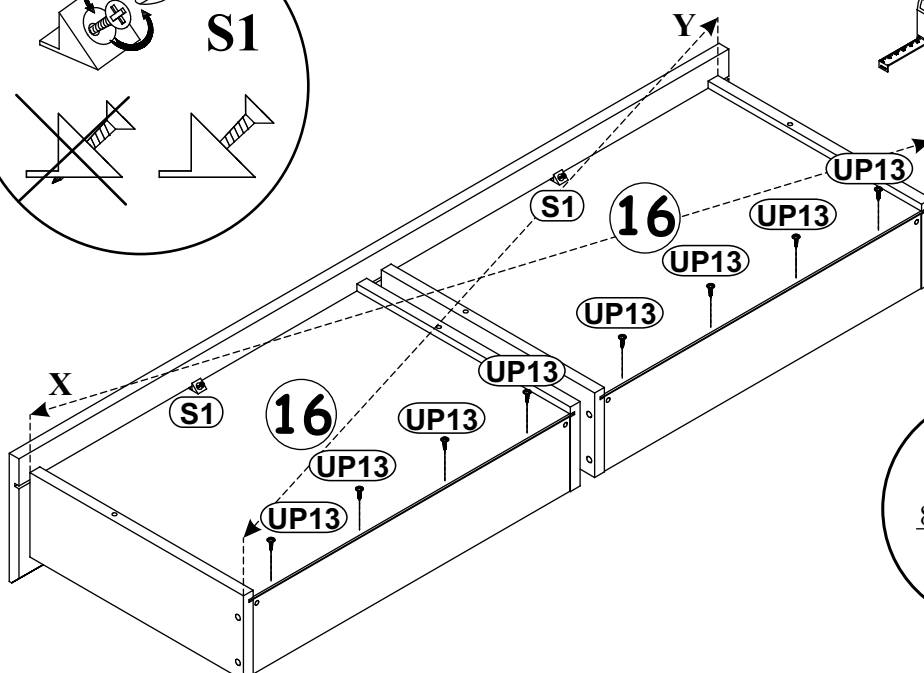


UP13

x8



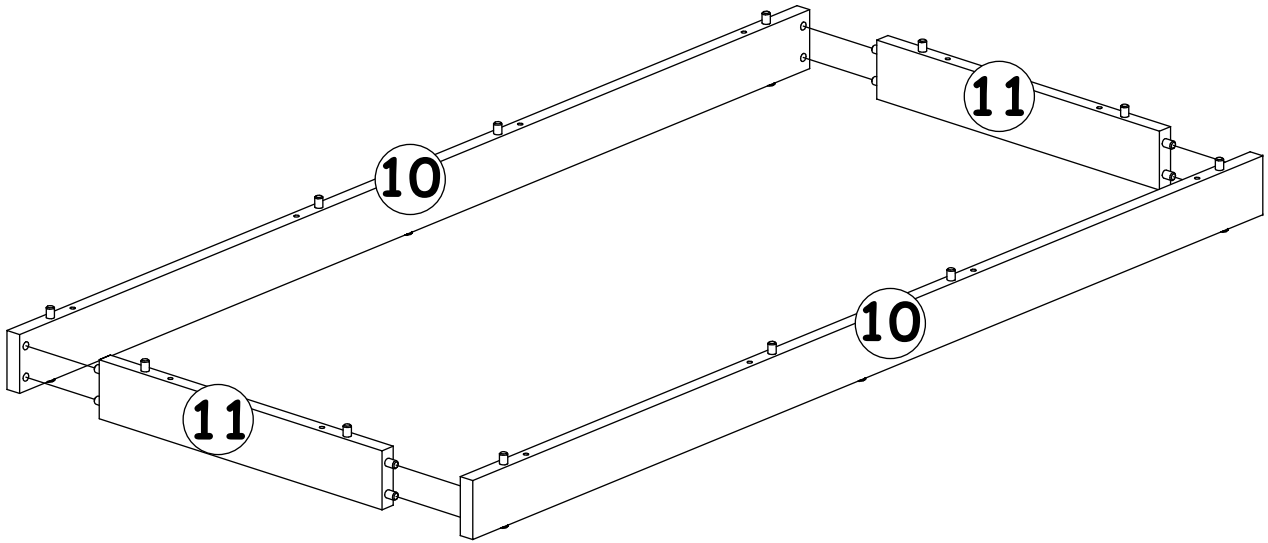
UPØ3x16



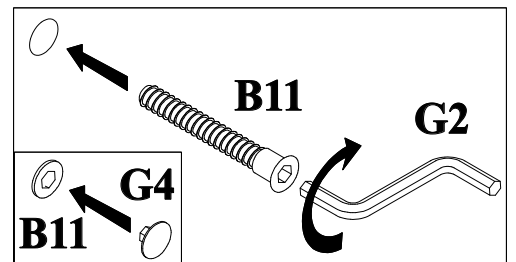
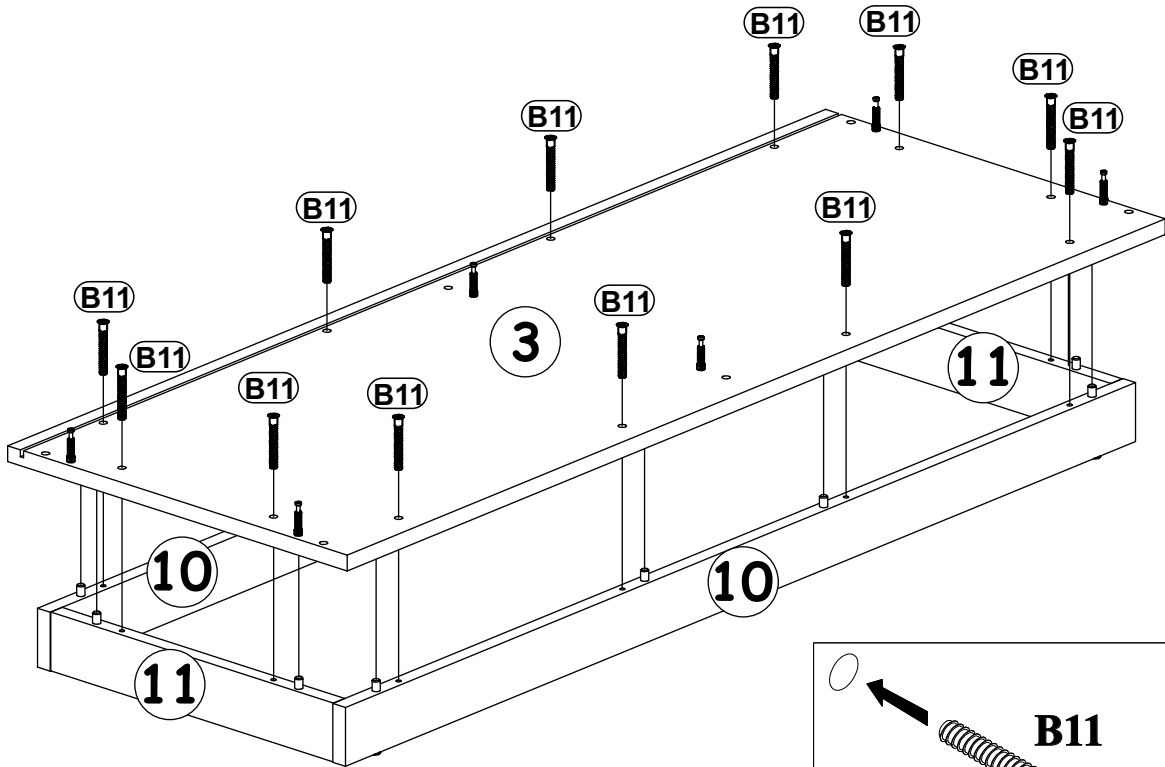
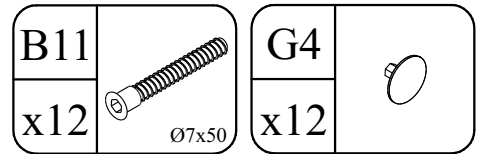
8mm

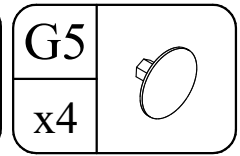
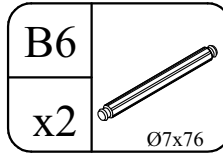
UP13

15

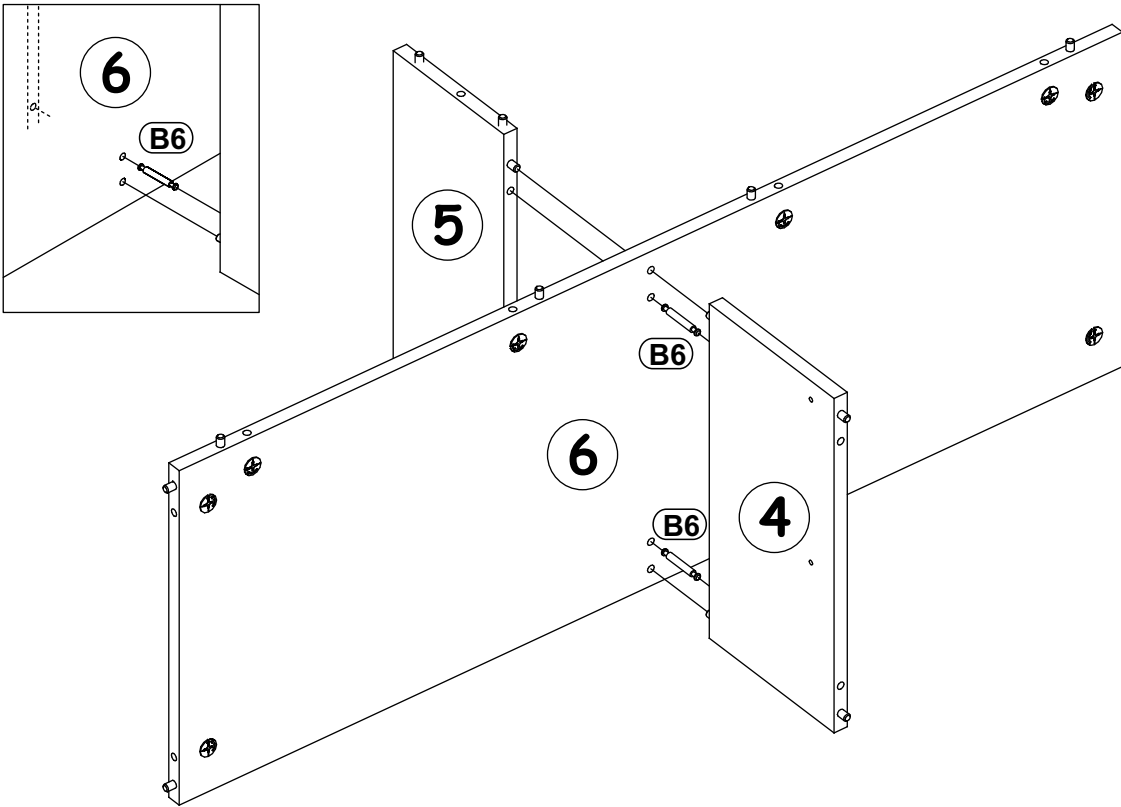


16

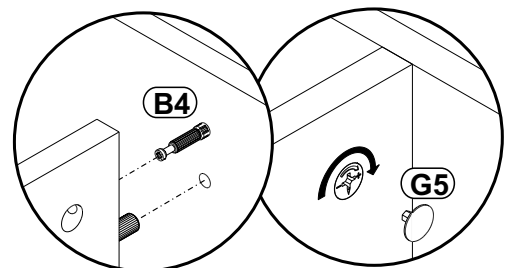
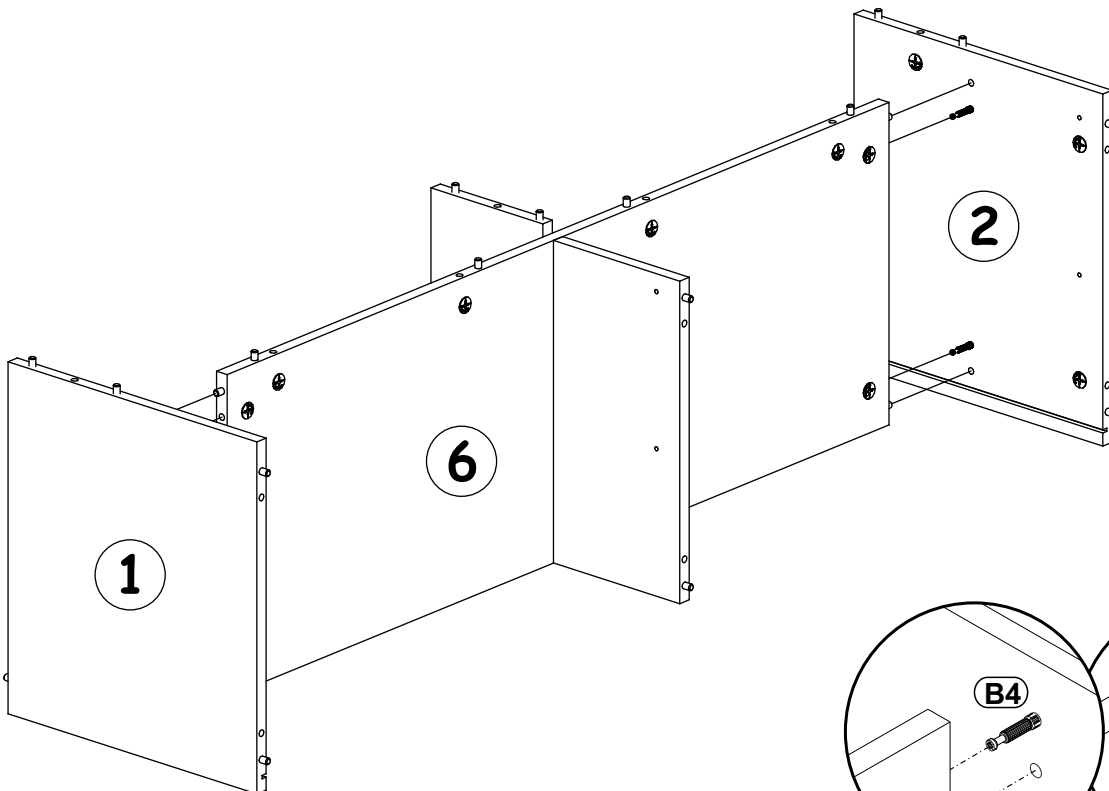
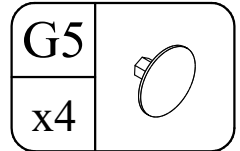





17

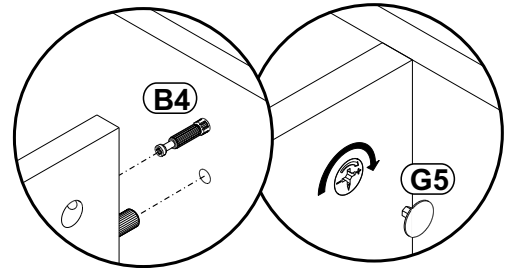
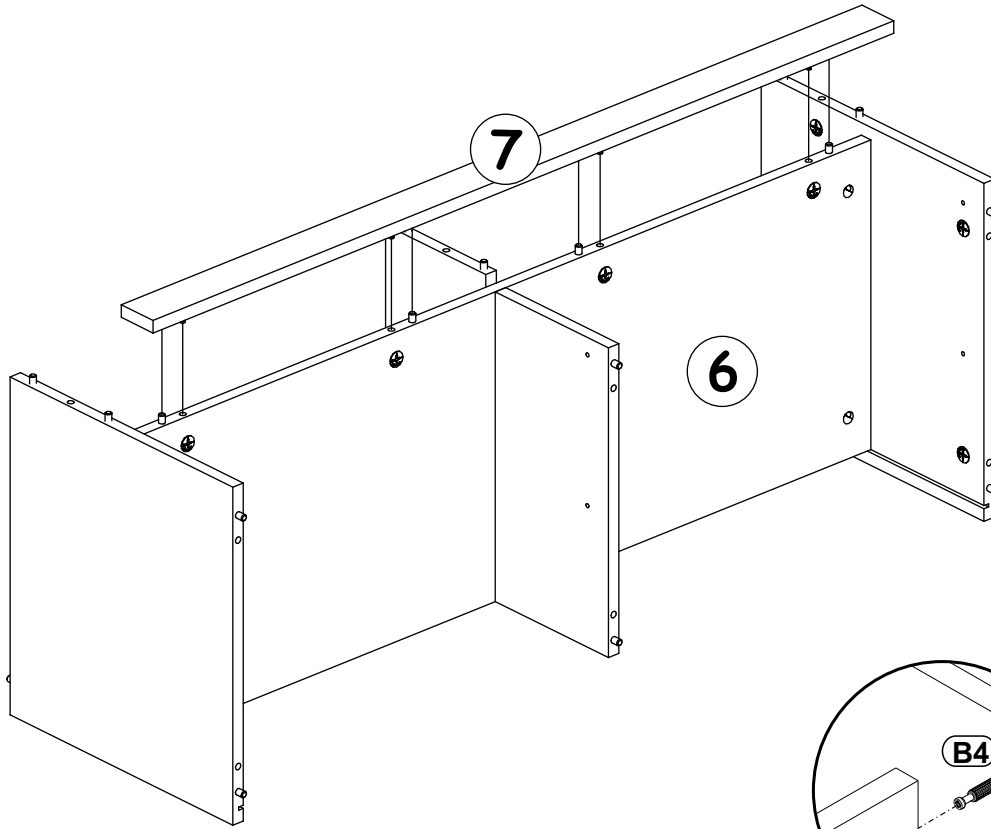


18




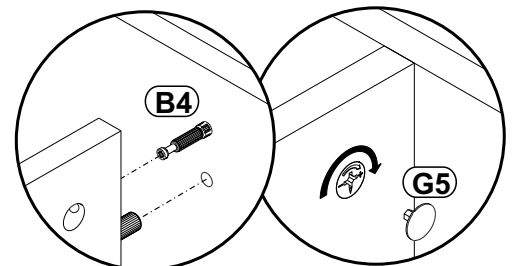
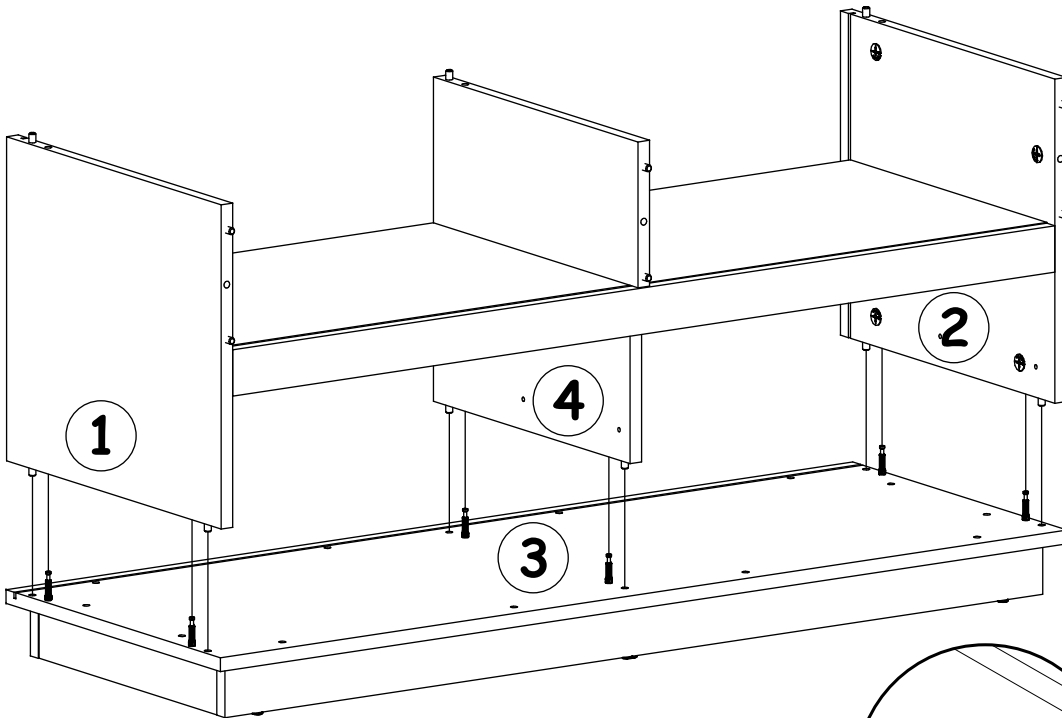
19

G5	
x4	

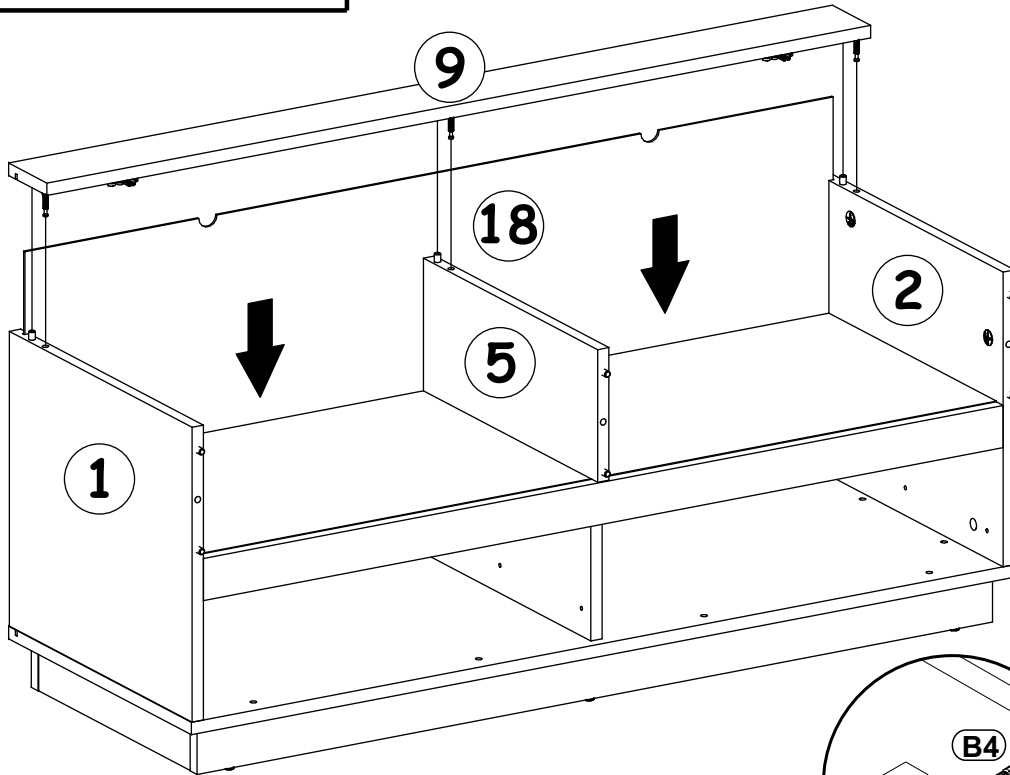


20

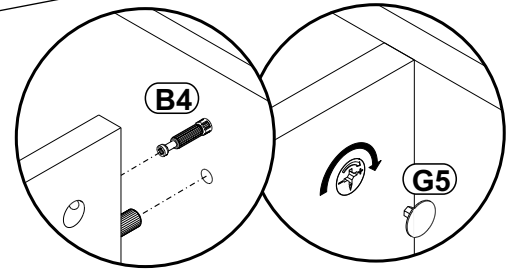
G5	
x6	



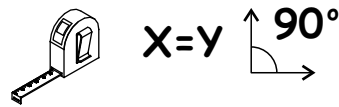
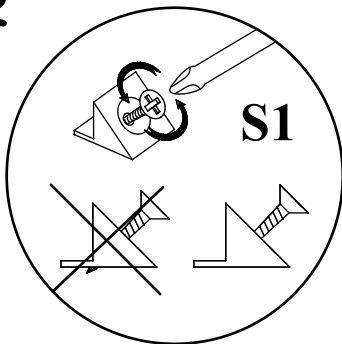
21



G5	
x3	

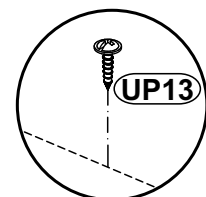
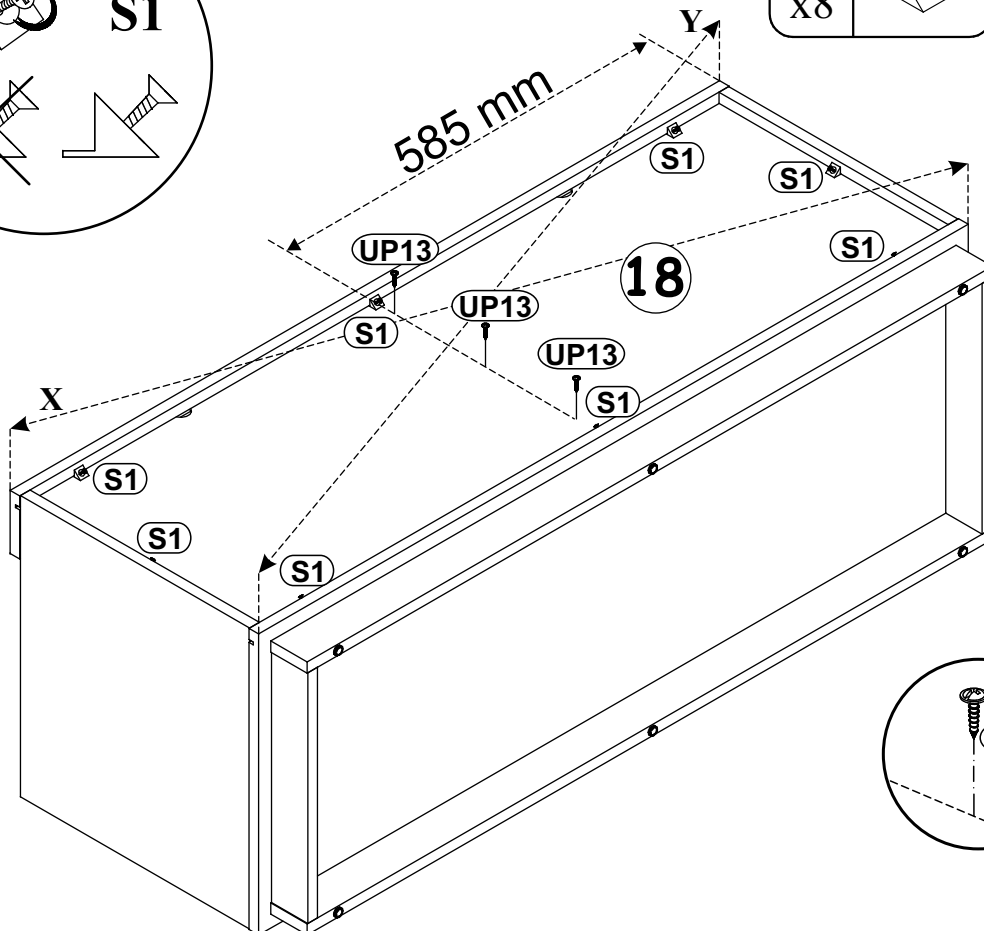


22

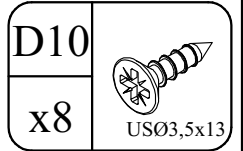
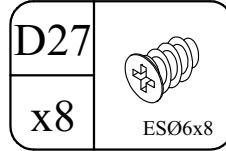
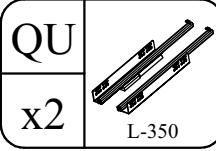


S1	
x8	

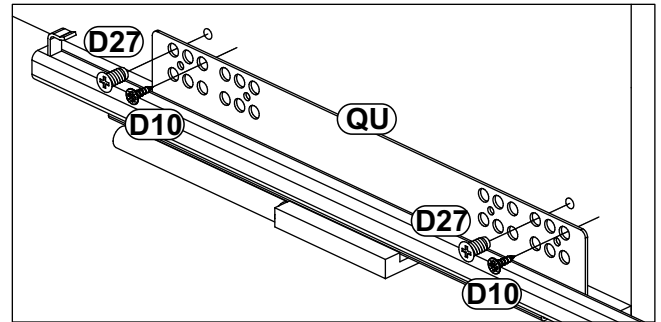
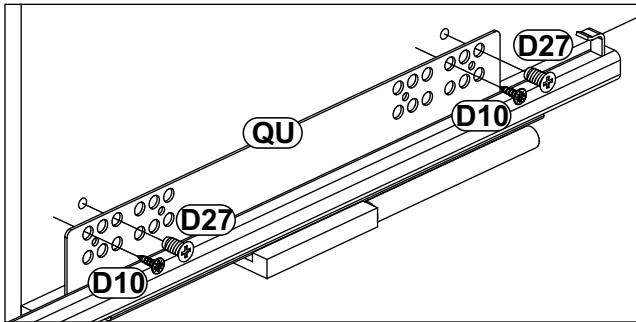
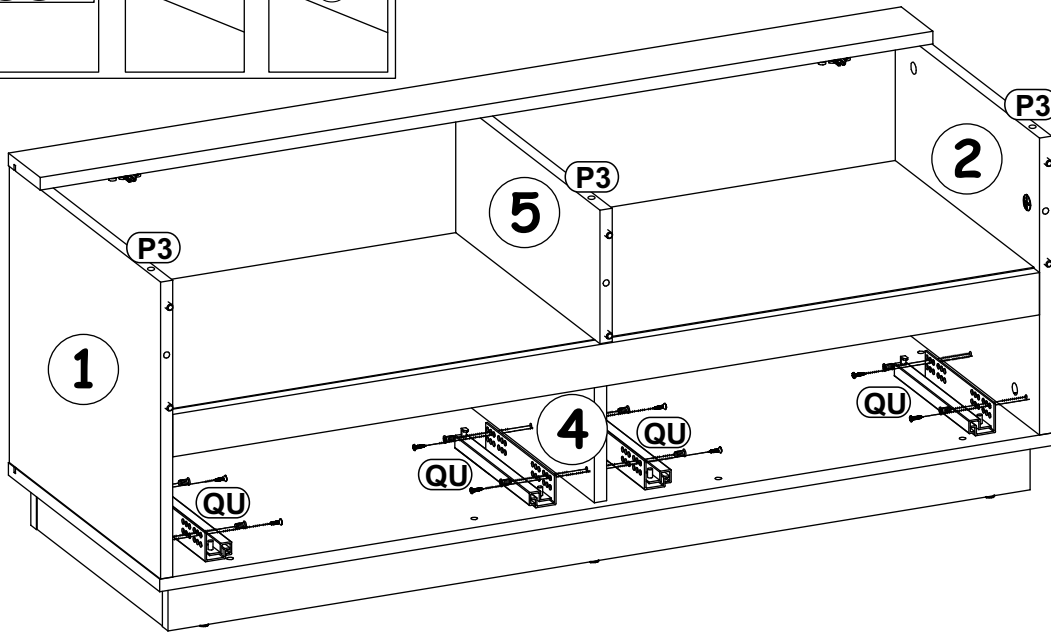
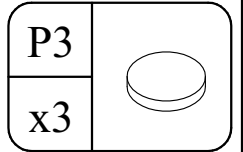
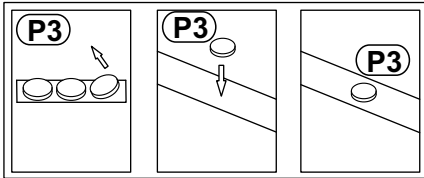
UP13	
x3	UPØ3x16



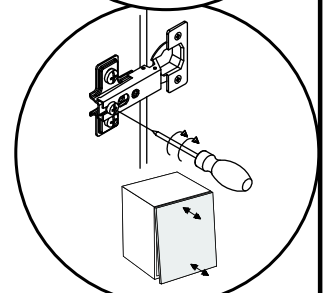
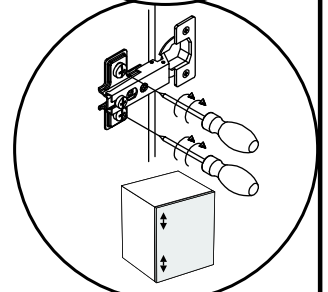
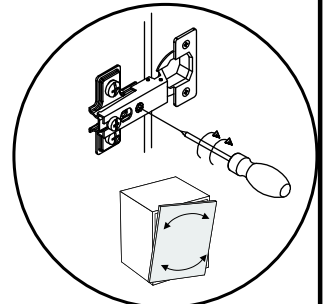
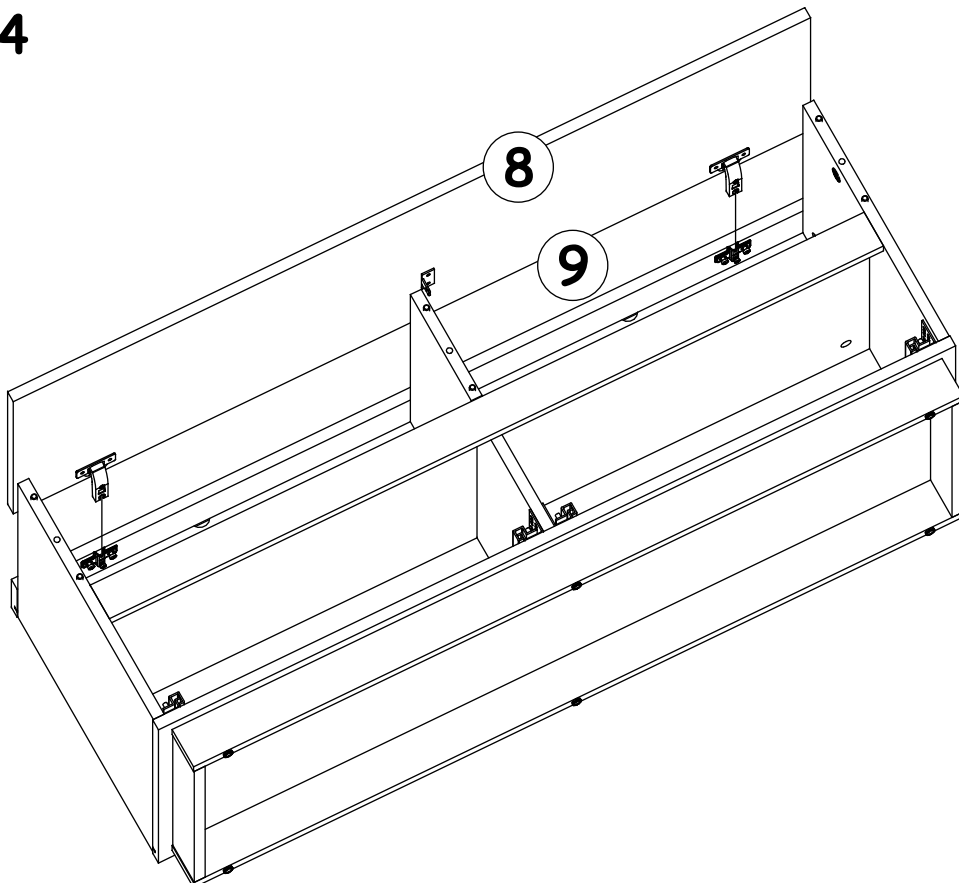
SINTRA 30 90 -- 60

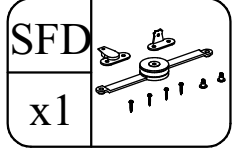


23

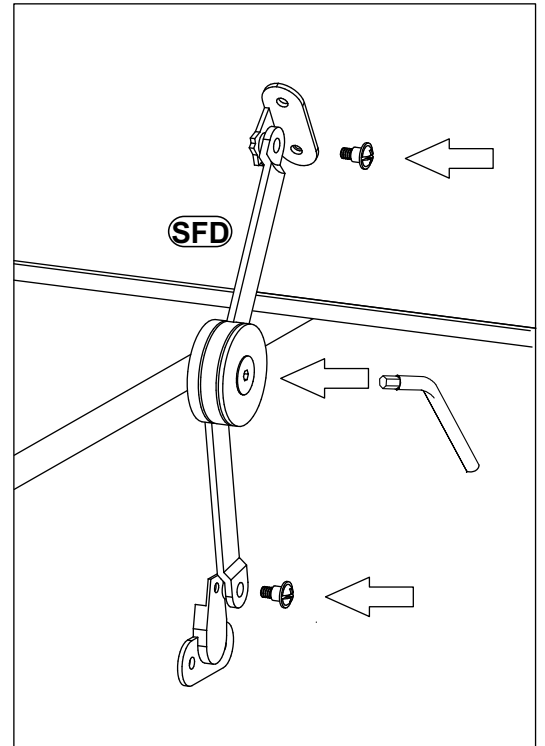
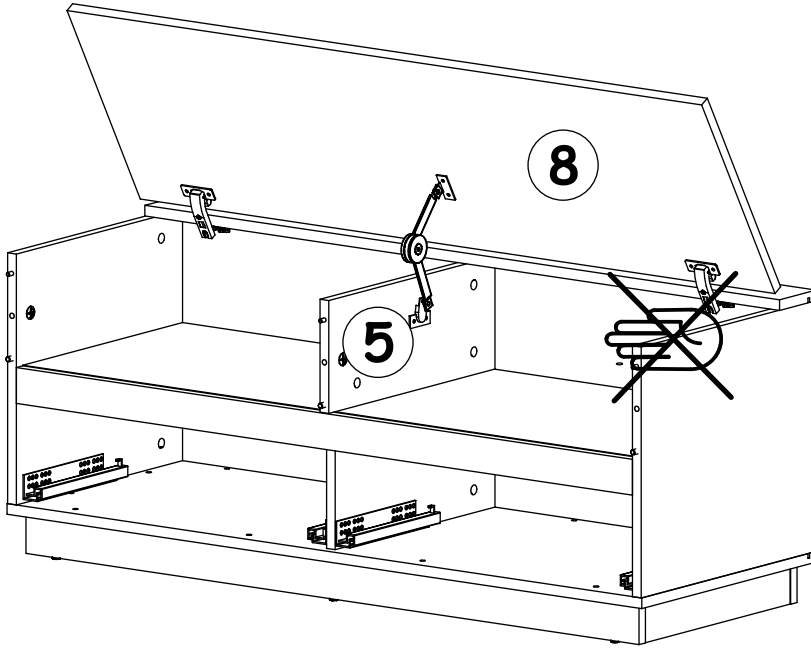
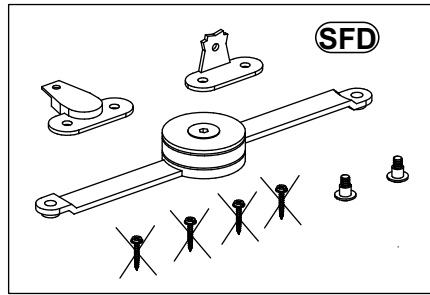


24

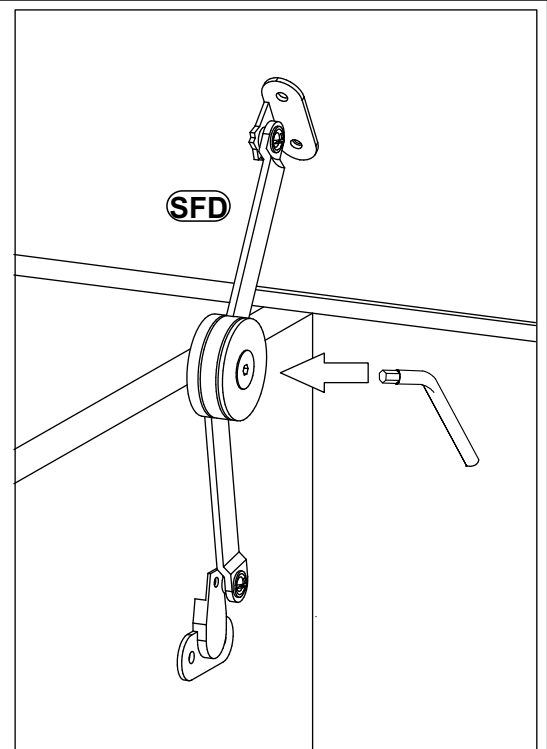
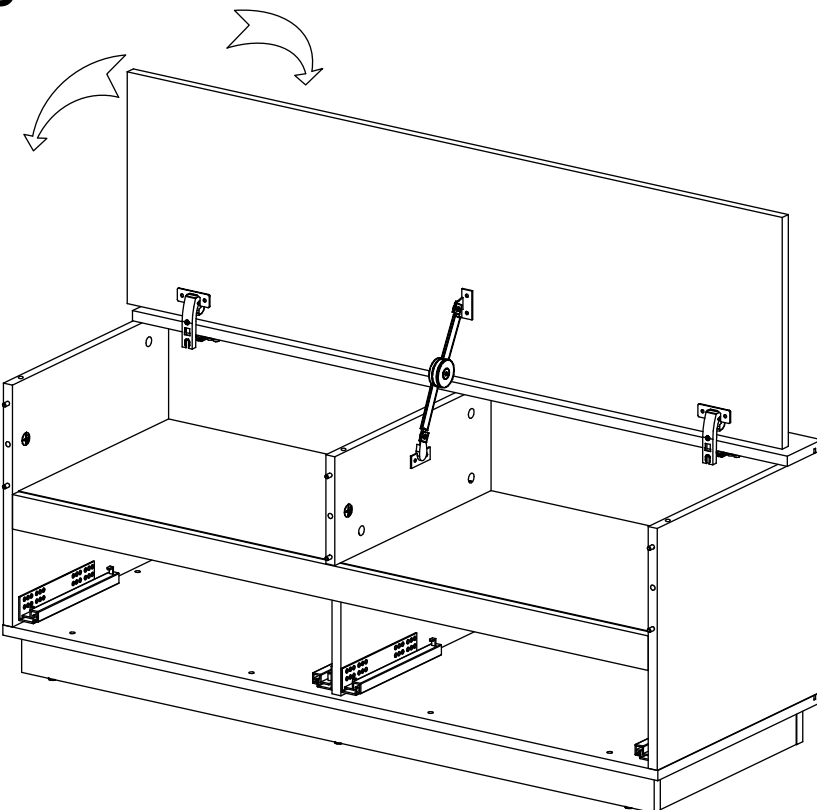


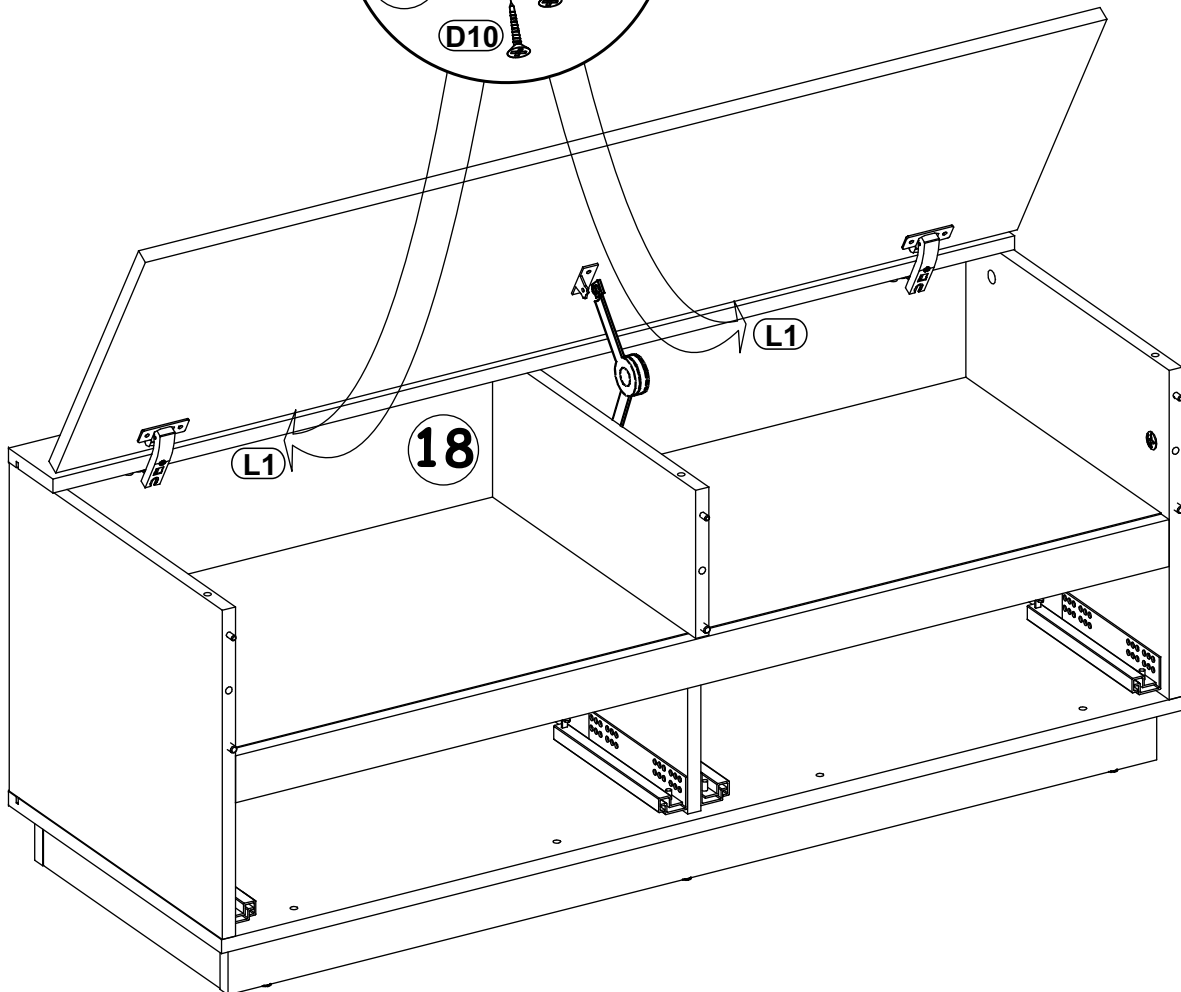
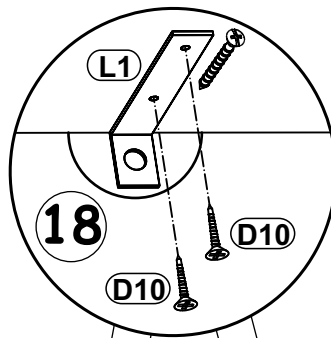
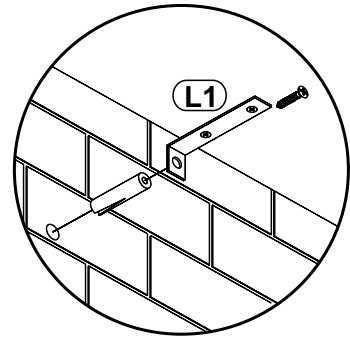
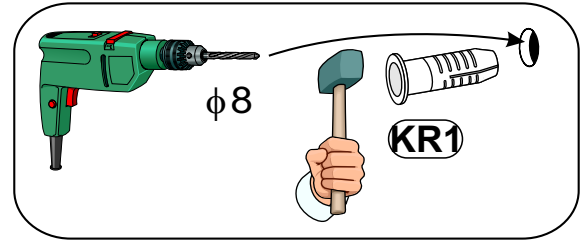
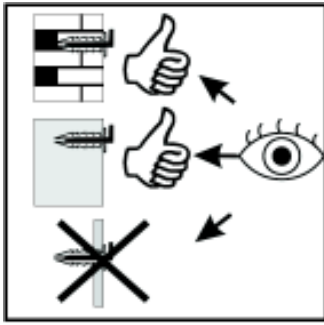
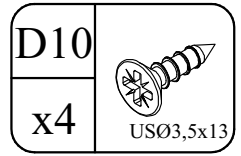
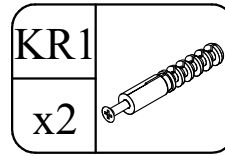
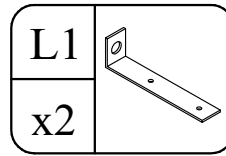



25



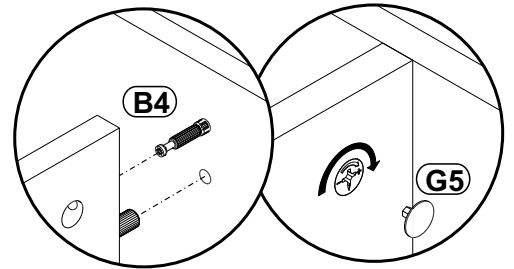
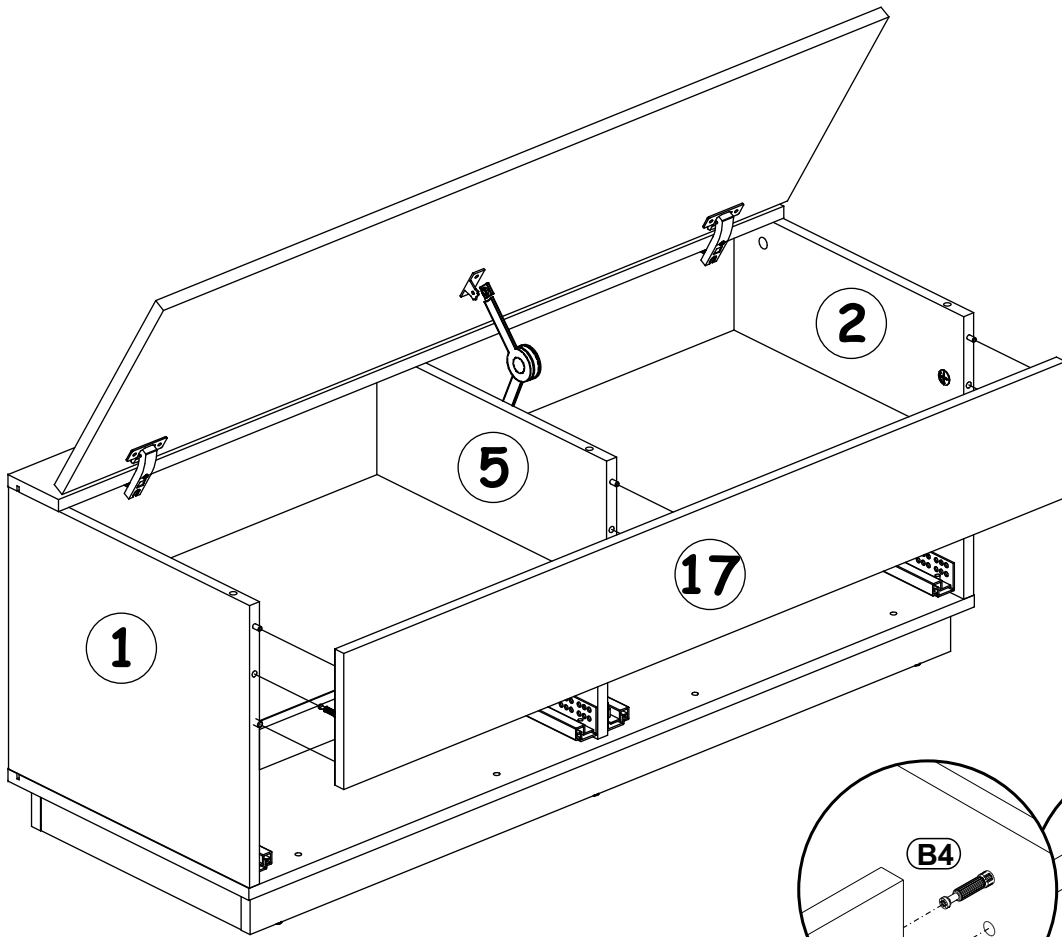
26



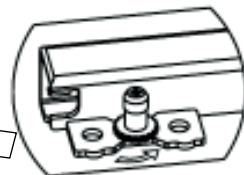
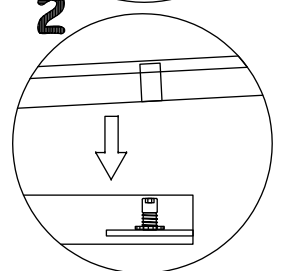
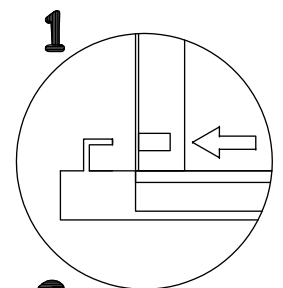
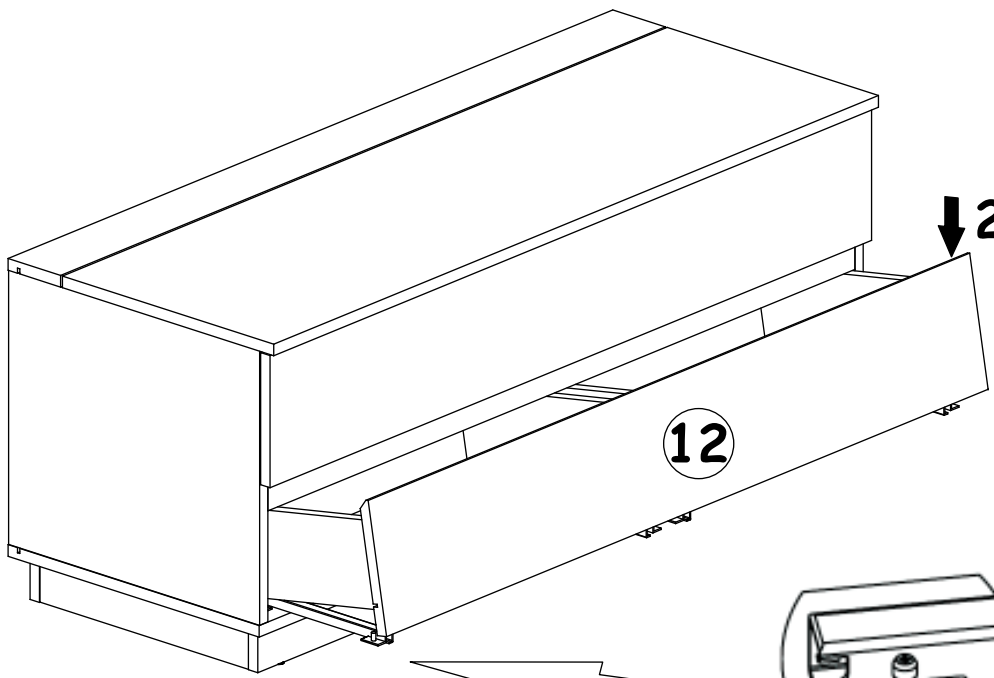


G5	
x3	

28

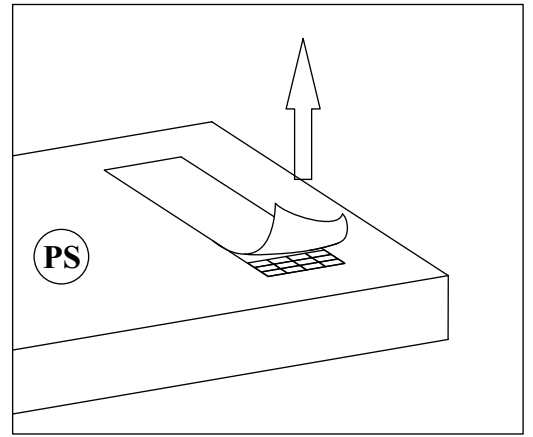
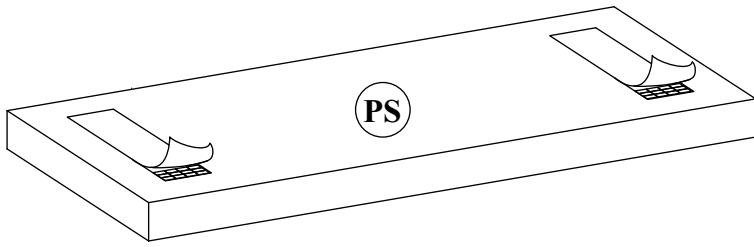


29

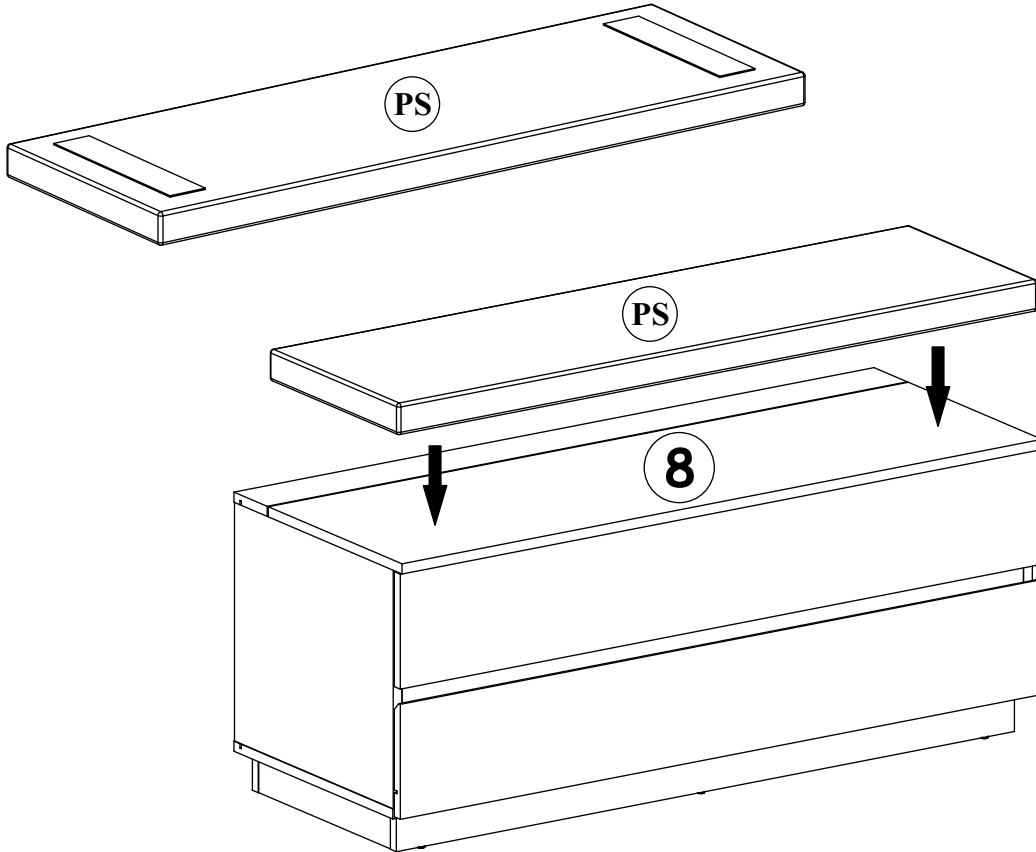


↑4 mm

30



31



32

