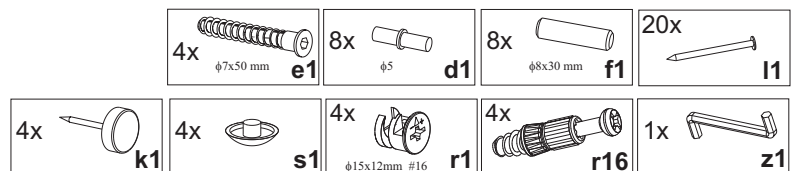
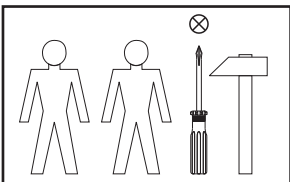
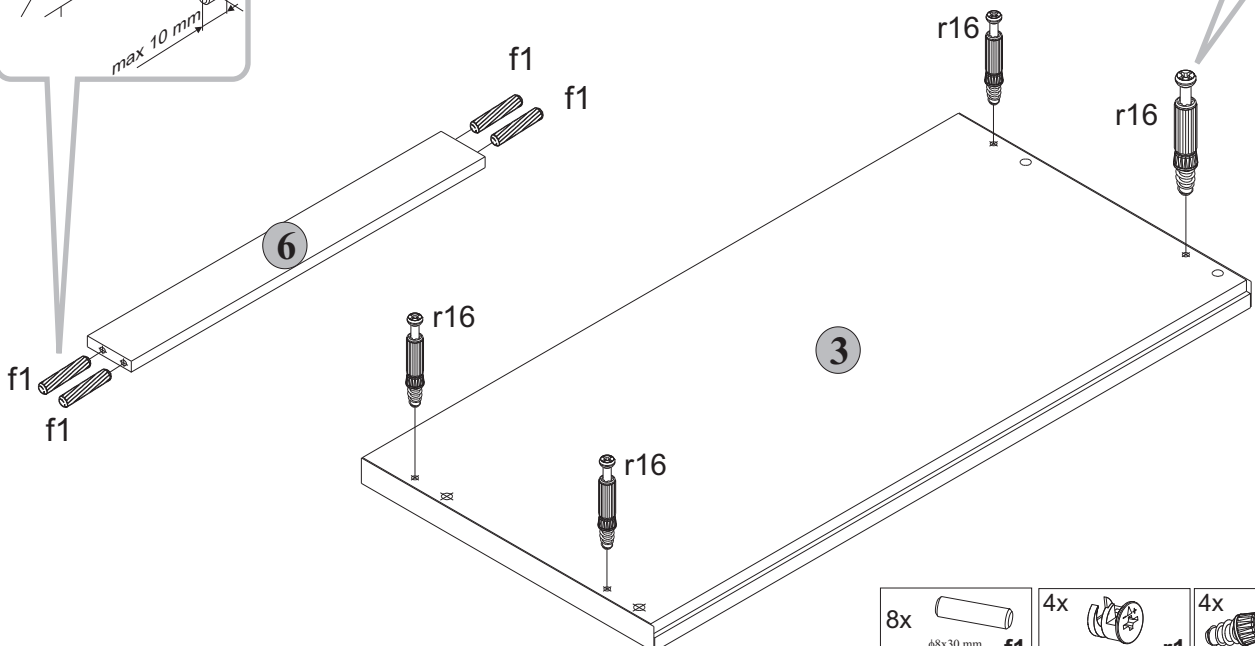
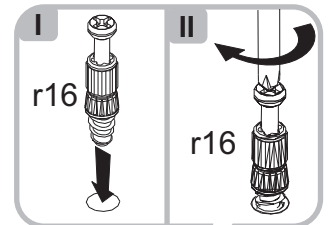
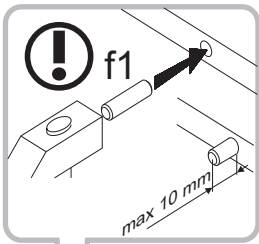
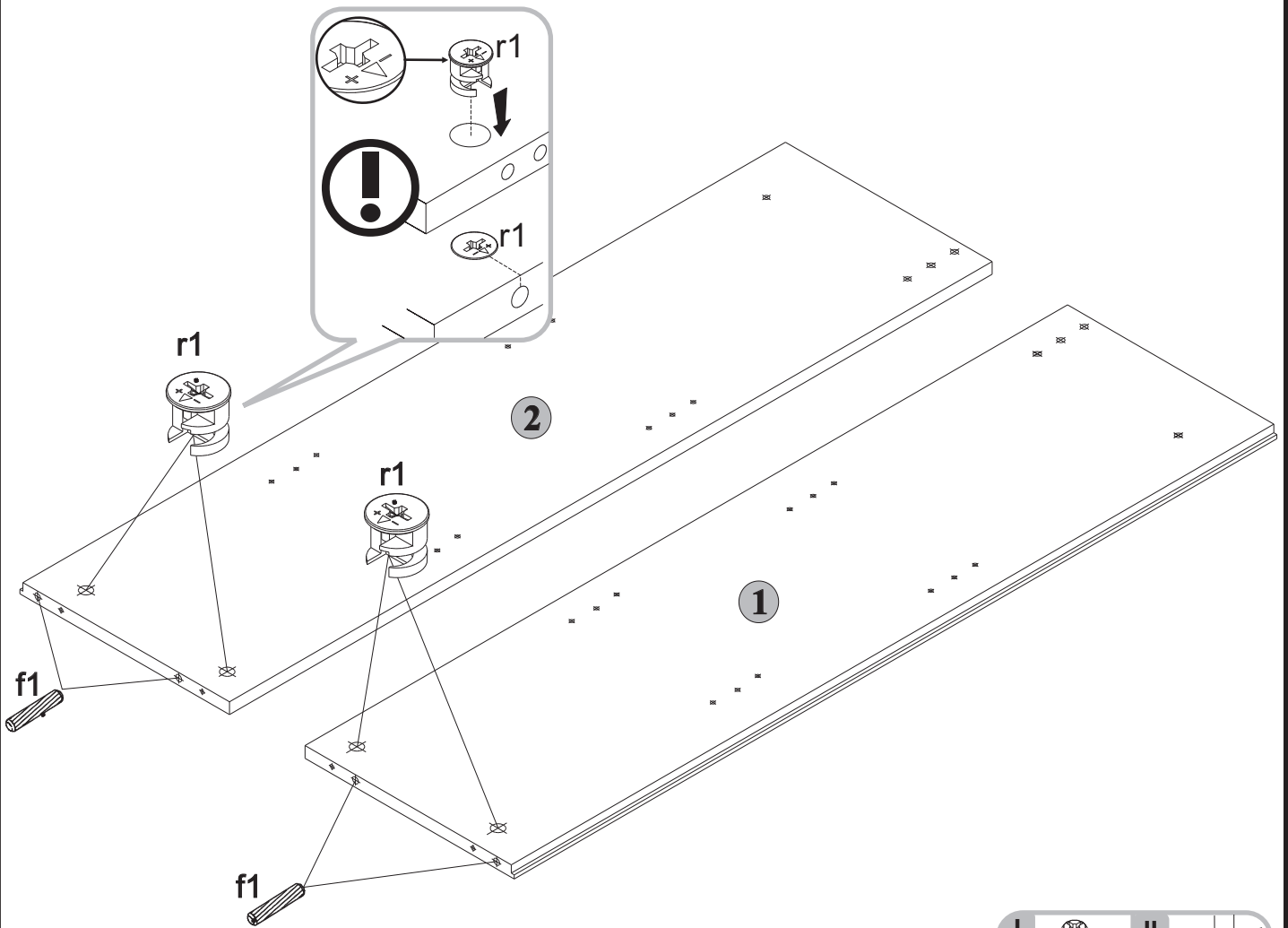


A	B	C	D
1	S19-131/B	1038x285	1/1
2	S19-132/B	1038x285	1/1
3	S19-211	595x292	1/1
4	S19-323	561x279	1/1
5	S19-324	560x279	1/1
6	S19-414	561x70	1/1
7	S19-925	976x577	1/1

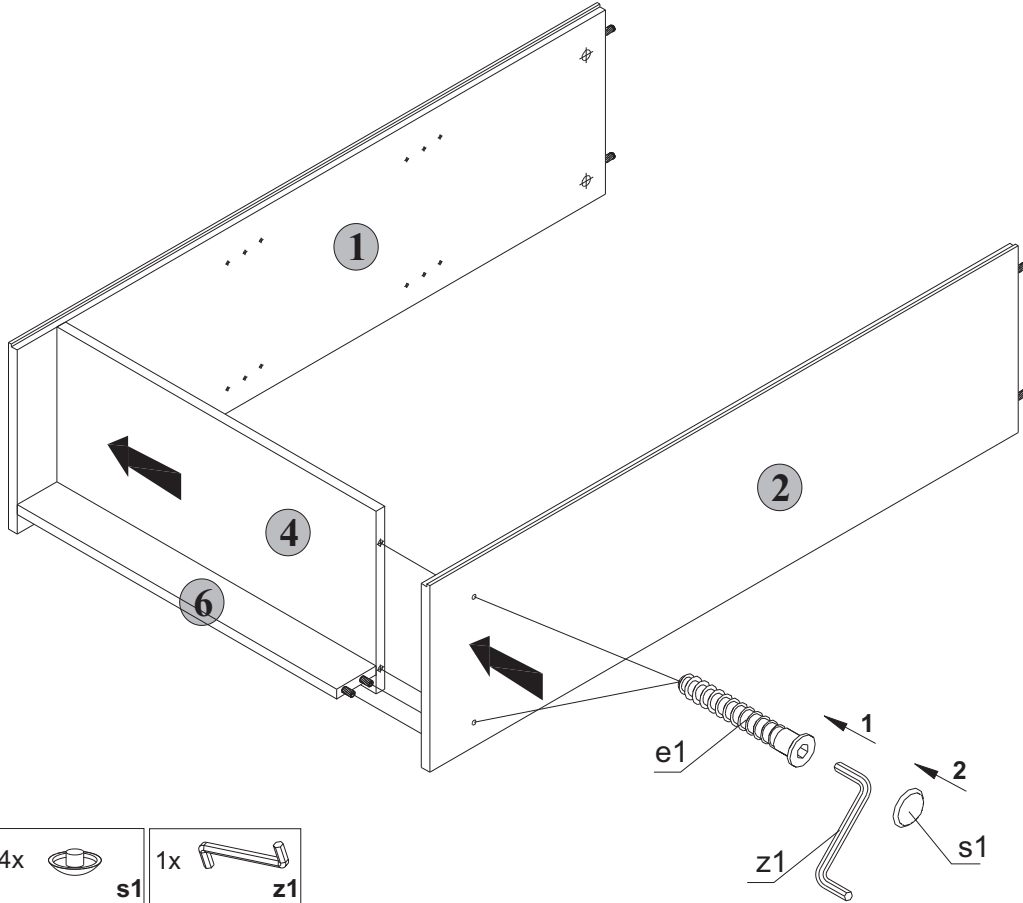


# 1

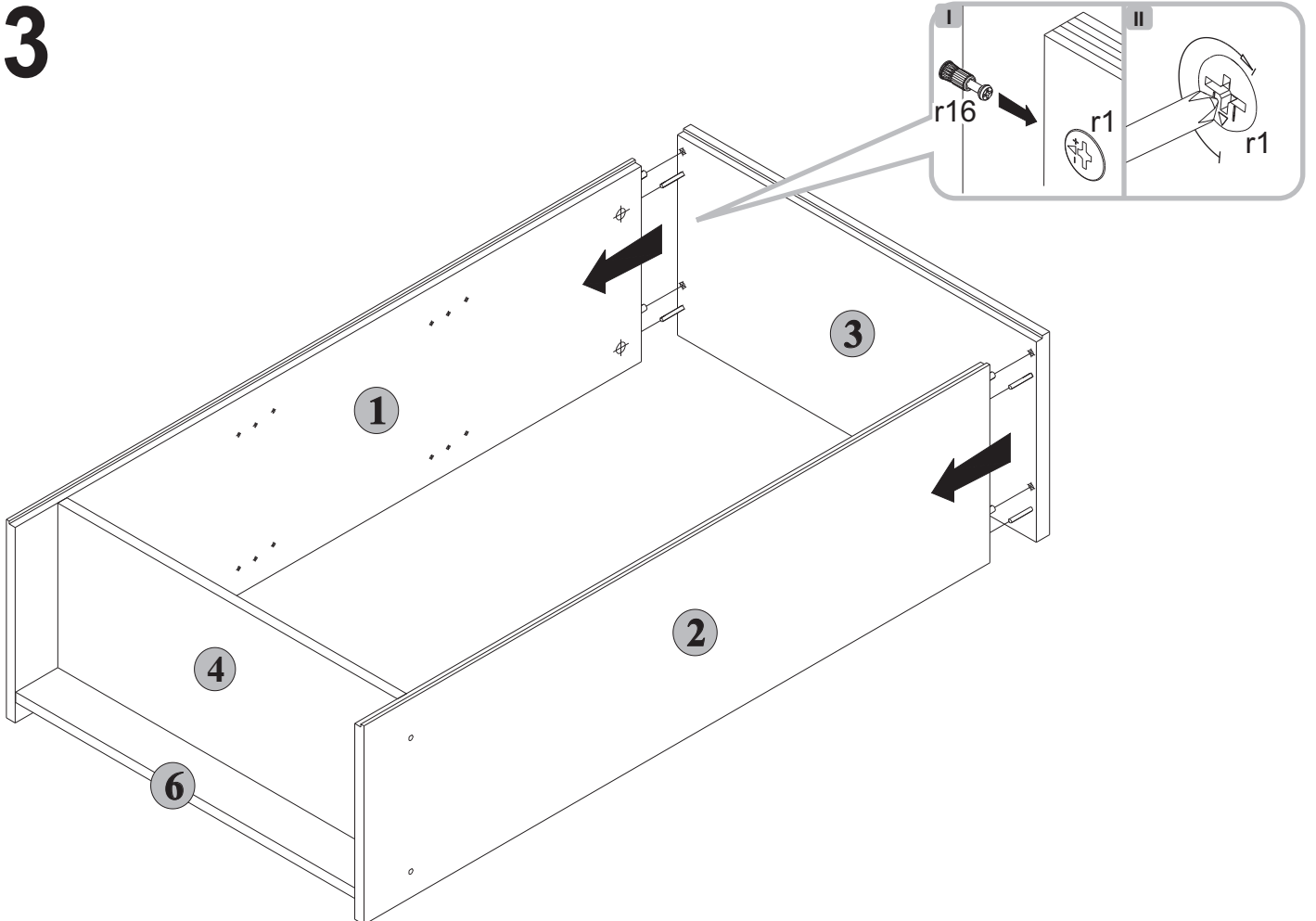


- |    |                       |    |                            |    |     |
|----|-----------------------|----|----------------------------|----|-----|
| 8x |                       | 4x |                            | 4x |     |
|    | $\phi 8 \times 30$ mm |    | $\phi 15 \times 12$ mm #16 |    |     |
|    | f1                    |    | r1                         |    | r16 |

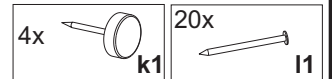
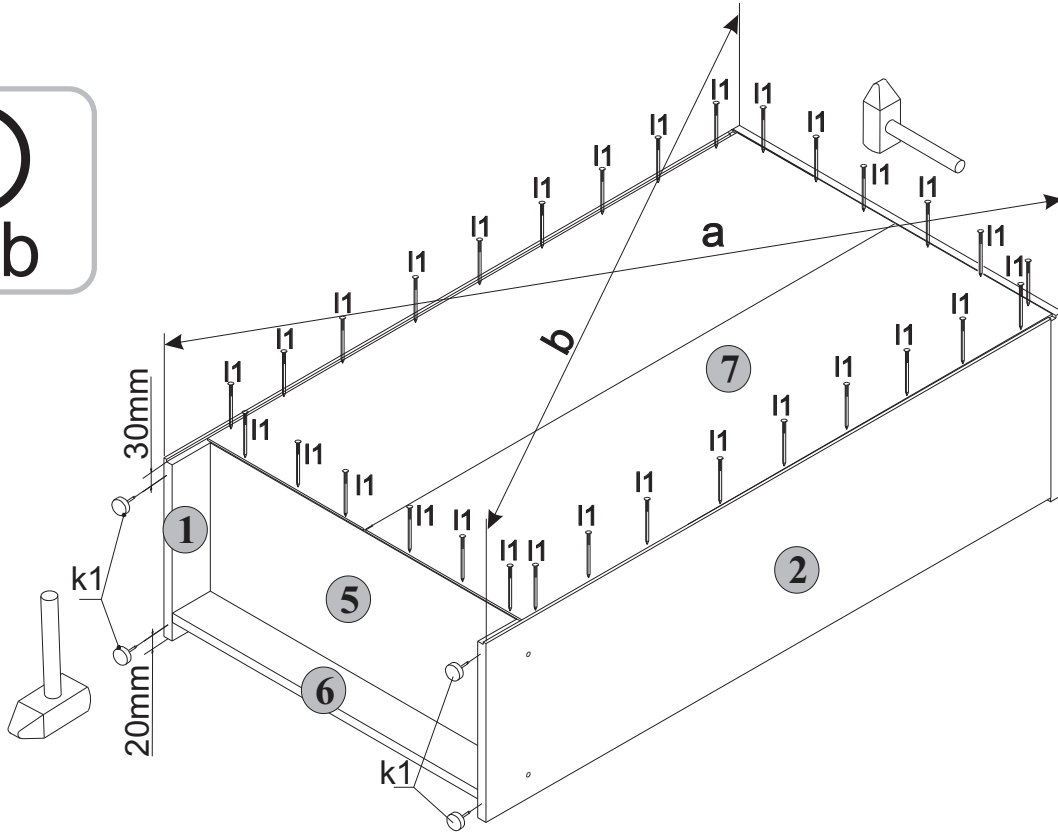
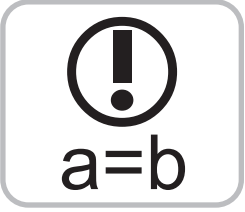
# 2



# 3



# 4



# 5

