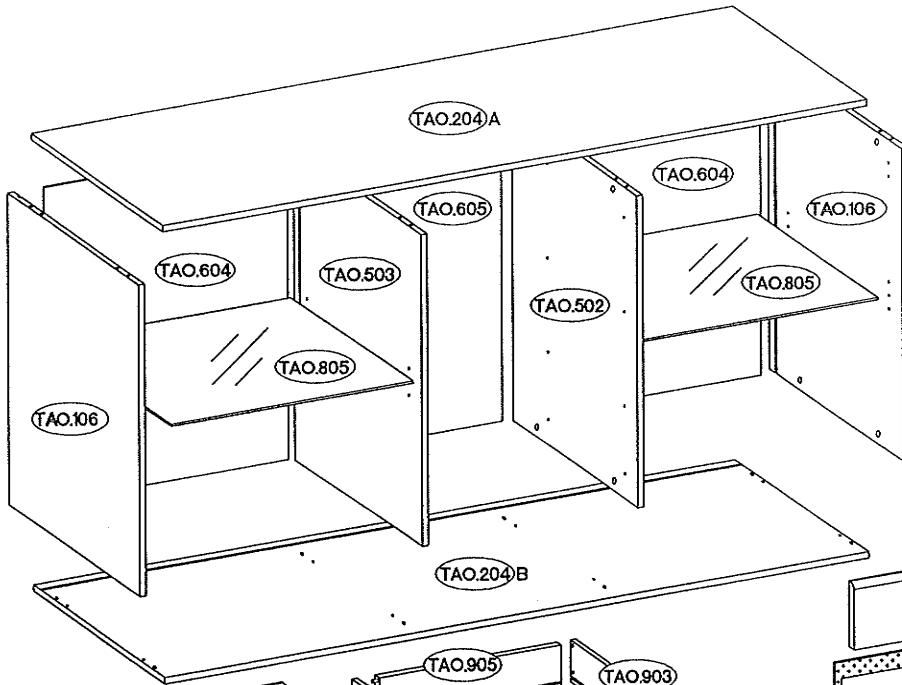
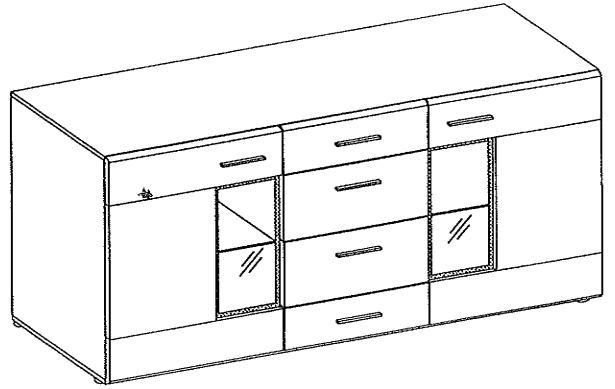
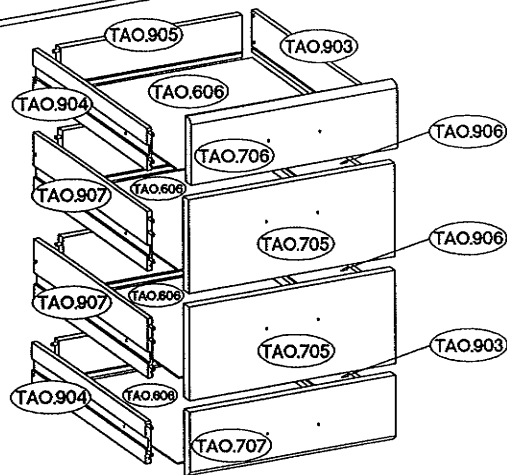
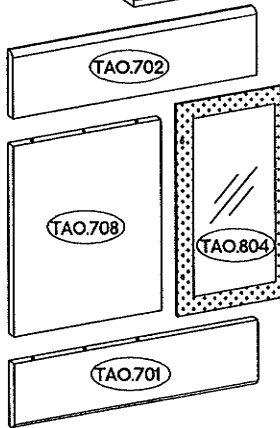


TANGO komoda







TAO.805 = max. 2kg

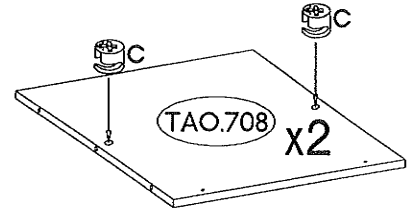
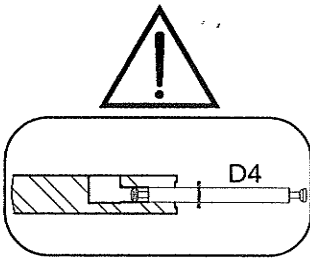
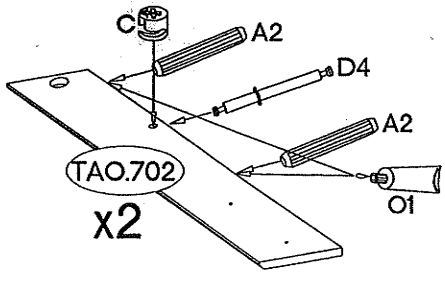
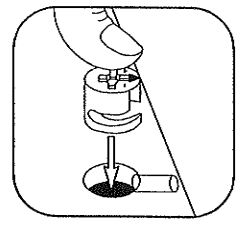
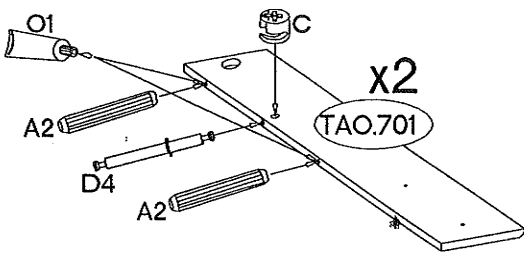
TAO.204 = max. 10kg




10														
+3.0x20mm	+6.3x13mm	27/50mm	M4x9mm	+8x60mm	0,05		+4.0x16mm	+7/4mm	L-56mm	+3.5x13mm		+35/0mm		
10	16	4	8	8	1	10	4	4	4	9	8	4		
L-20mm	+5/12mm	+8x30mm				+4.0x25mm	L-128mm	+4.0x30mm	+6x42mm	+10x50mm		H-0		
16	24	16	10	16	6	6	6	12	8	1	1	4		

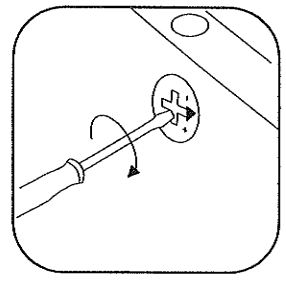
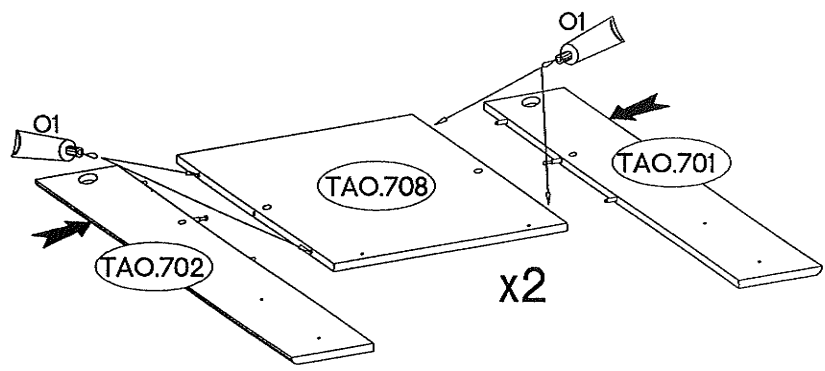
1

			
C	A2	O1	D4
8	8	1	4






2

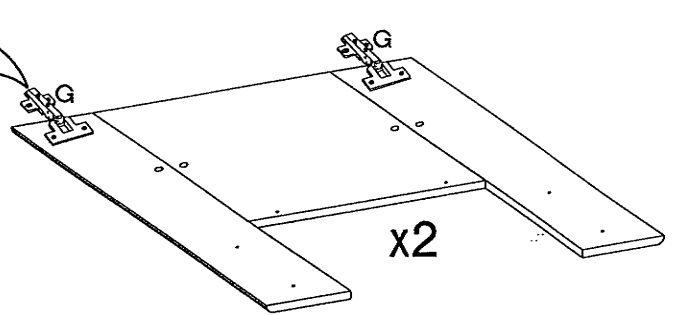
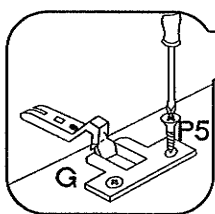
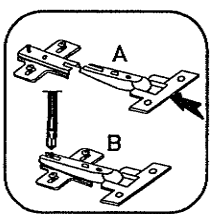

O1
1



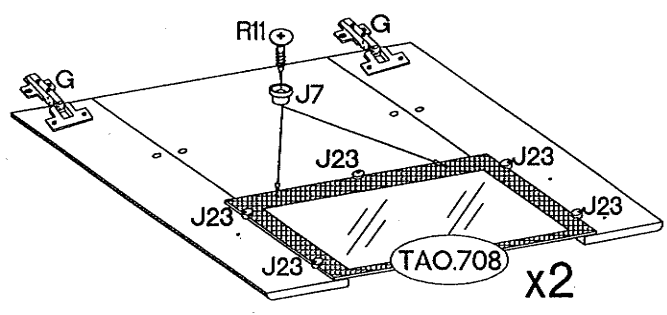
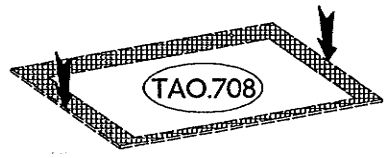
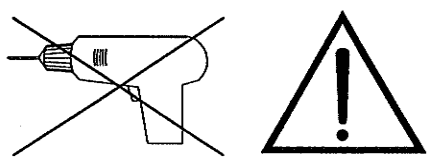
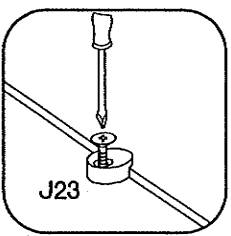
3





G
4

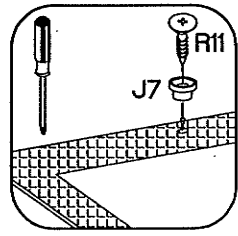
	
P5	H
8	4



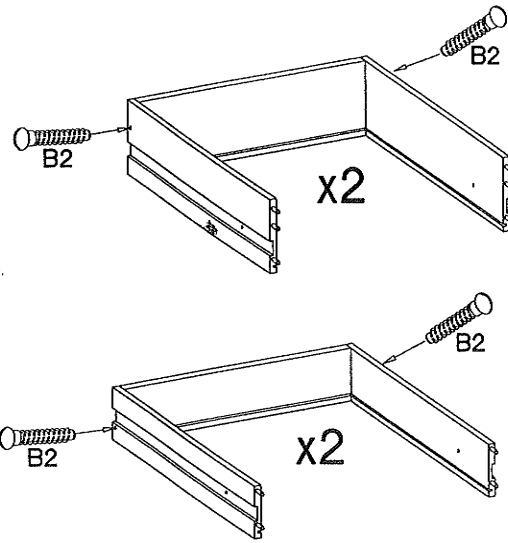
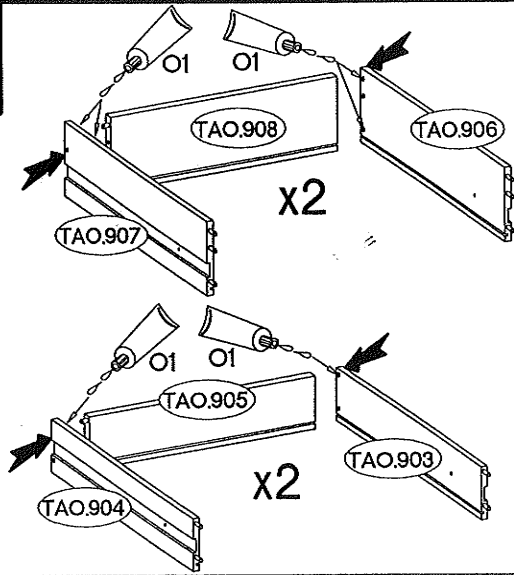
4



	
J23	
10	
	
R11	J7
4	4

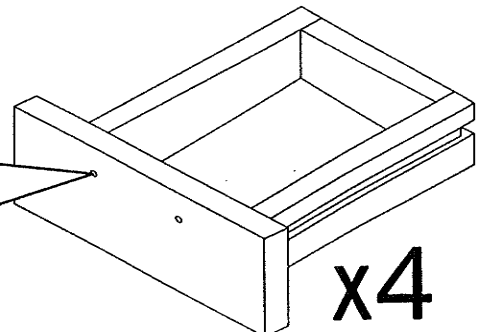
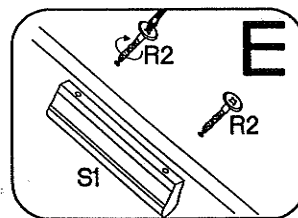
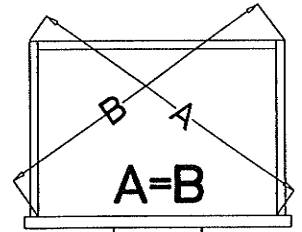
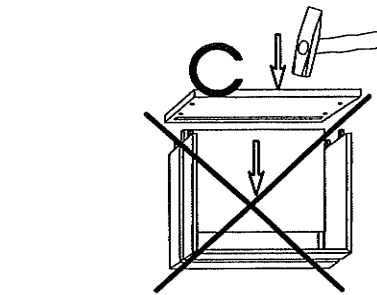
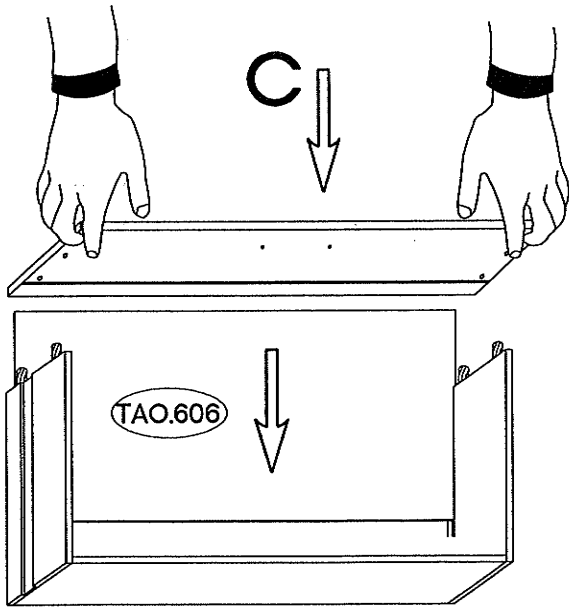
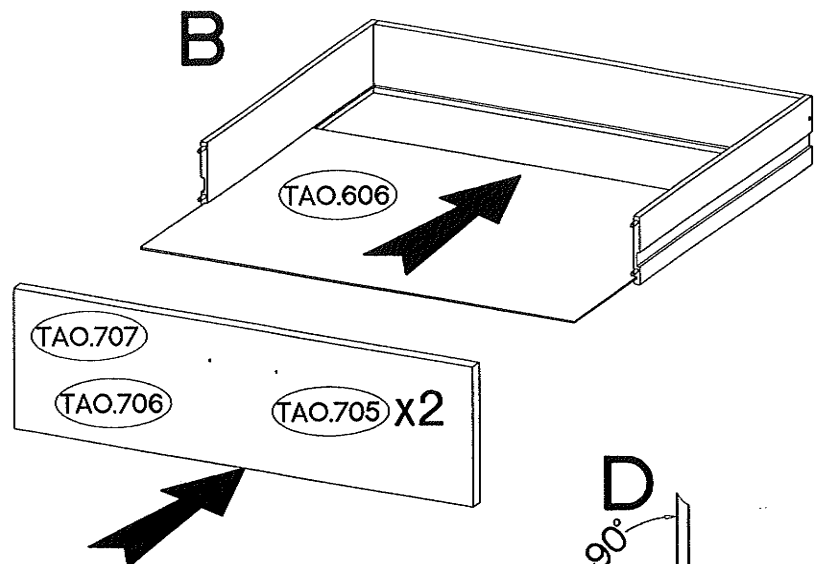
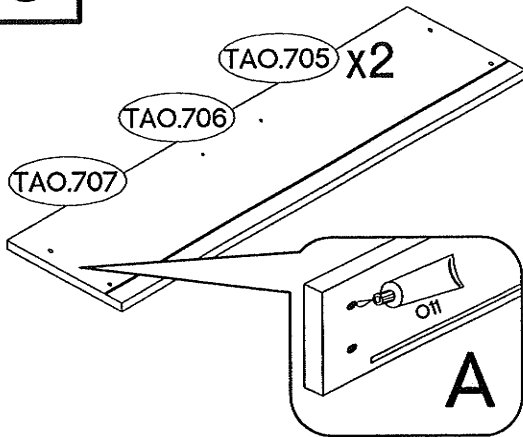


5



0,05		O1
1		B2
16x42mm		
8		





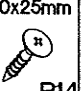
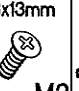

6

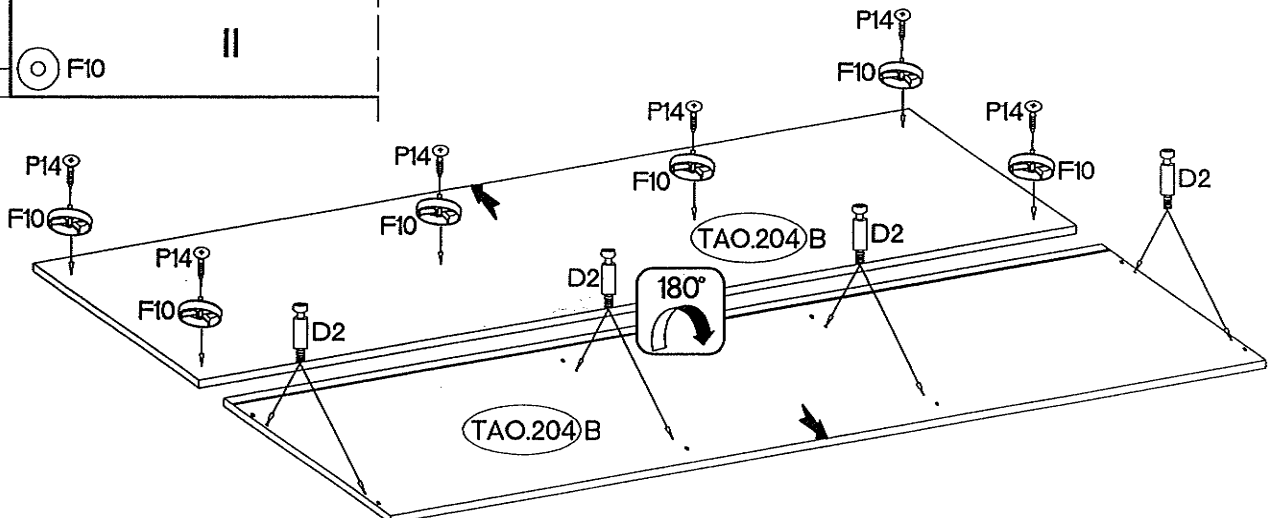
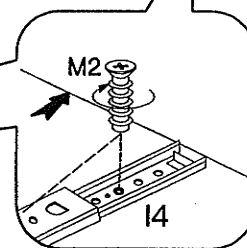
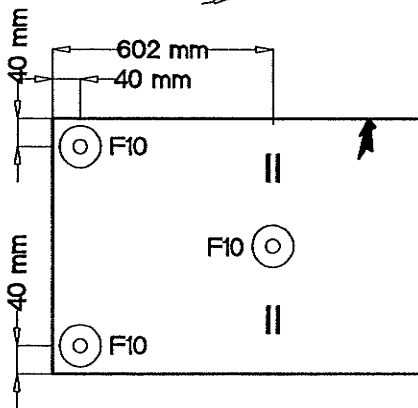
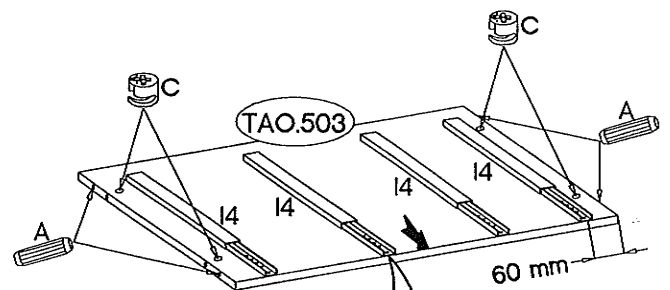
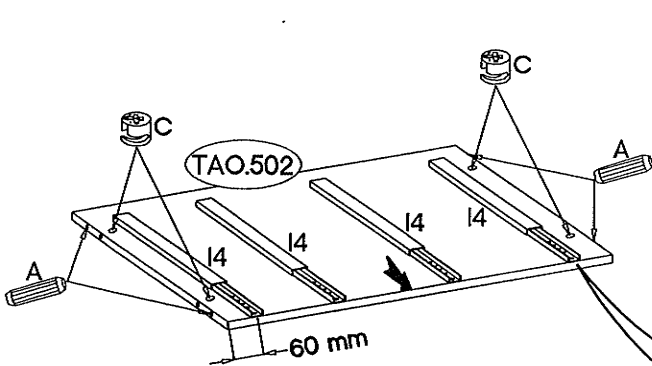
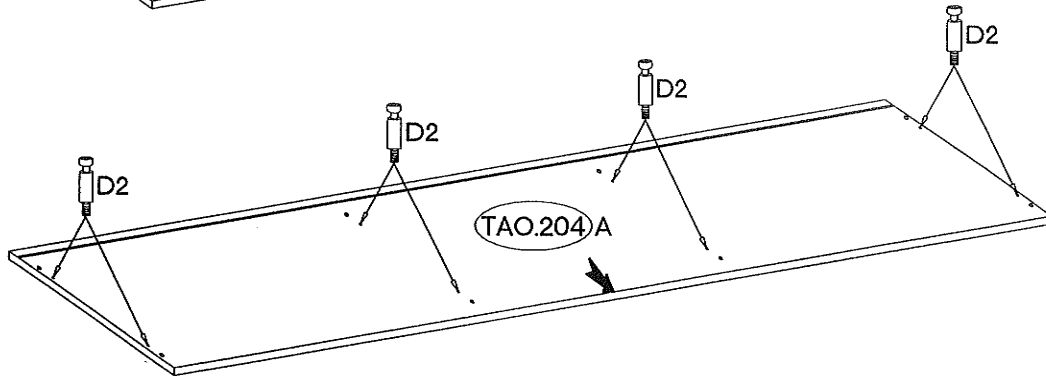
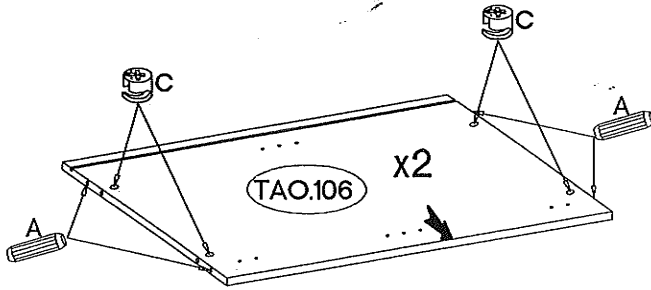
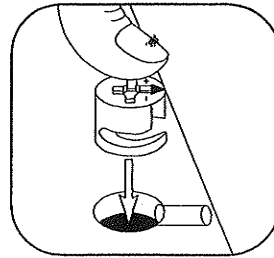
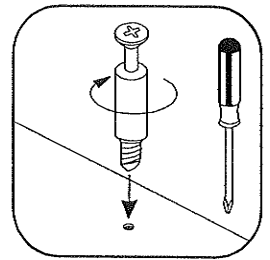


L=128mm	4.0x30mm	0,05
S1	R2	O1
4	8	1

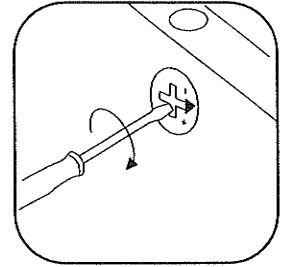
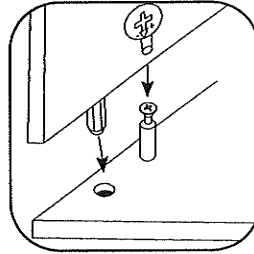
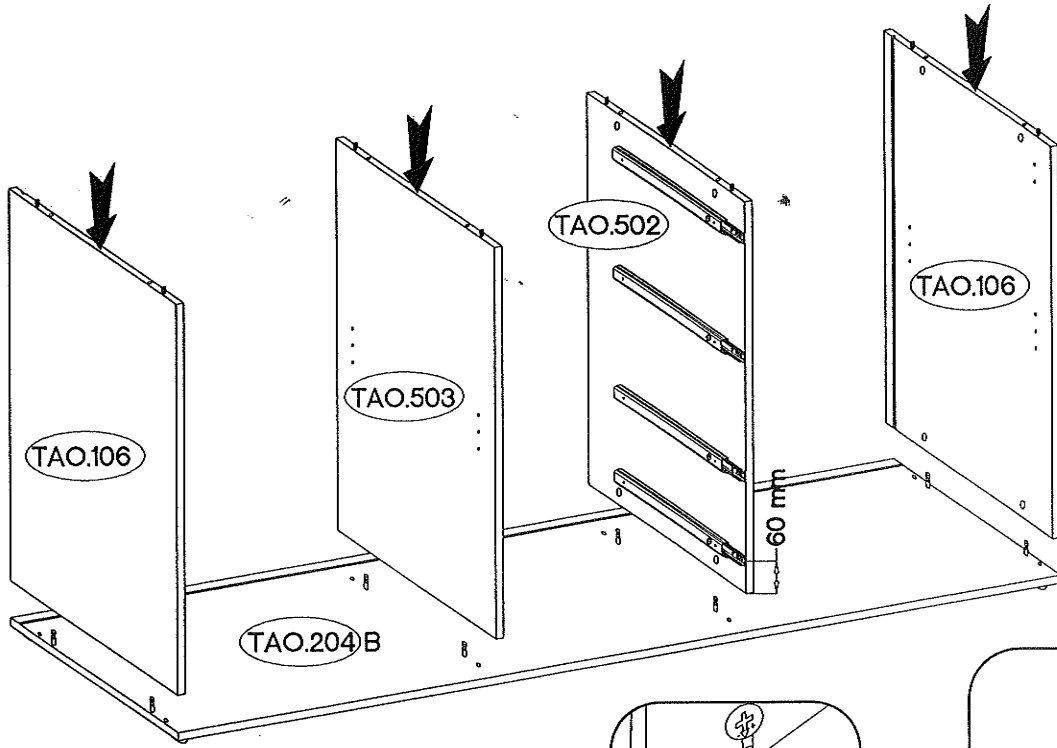


7

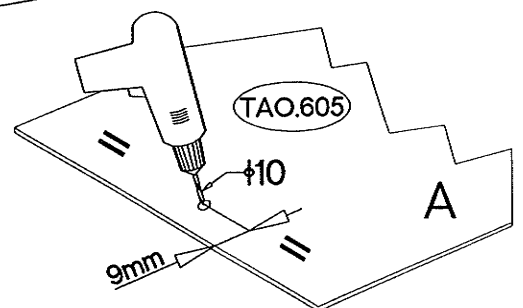
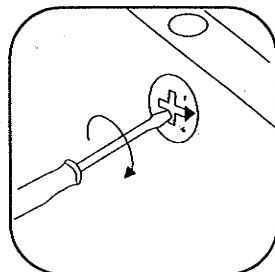
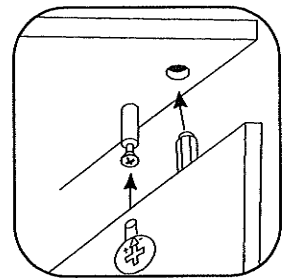
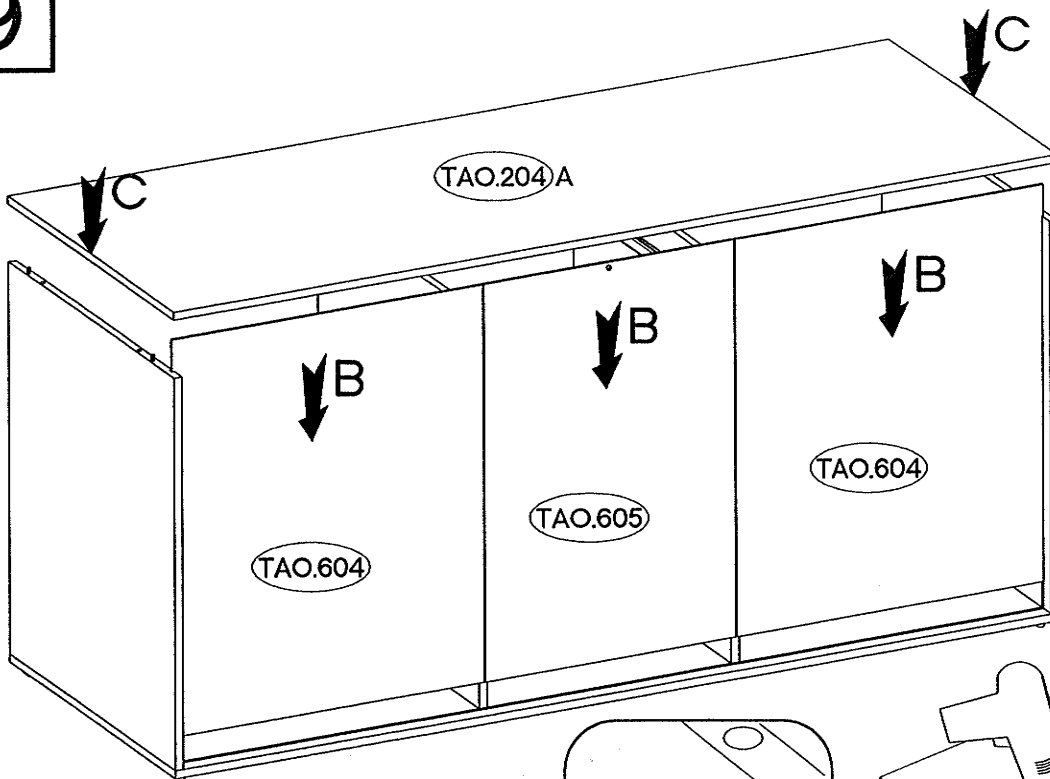
 L-20mm D2 16	 #15/12mm C 16	 #18x30mm A 16	 F10 6	 +4.0x25mm P14 6	 +6.3x13mm M2 16	 27/310mm I4 4
--	---	---	--	---	---	---






8

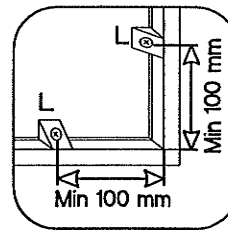
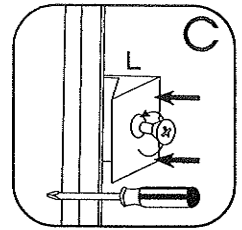
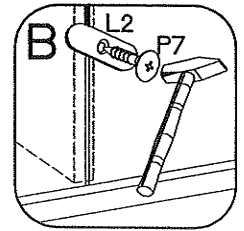
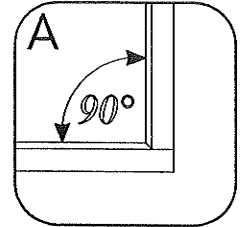
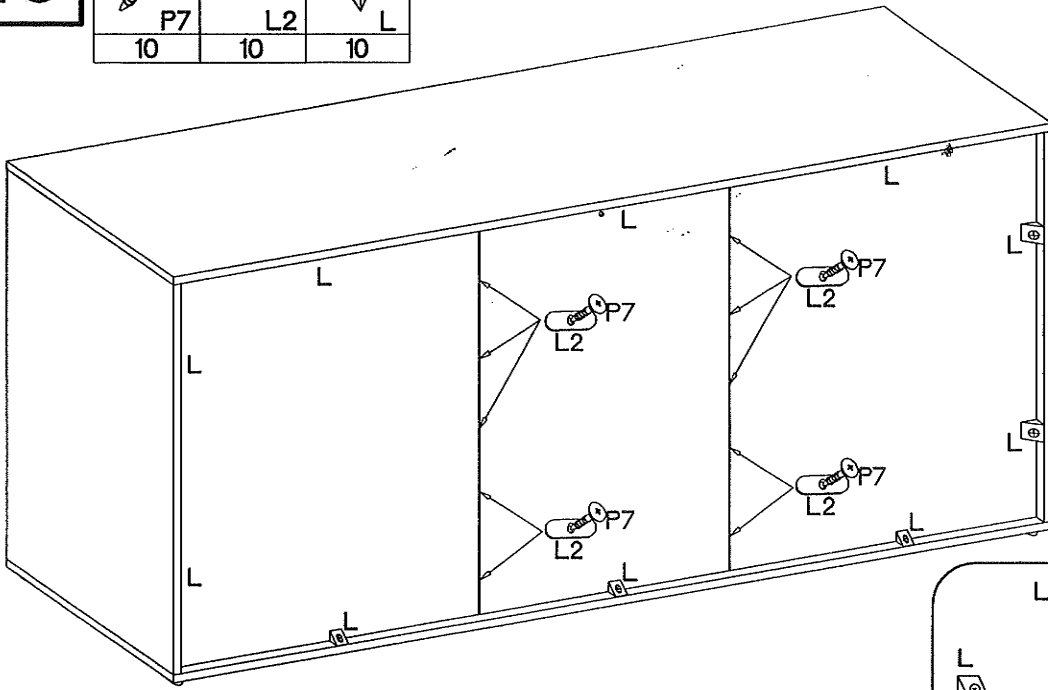


9

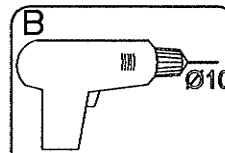
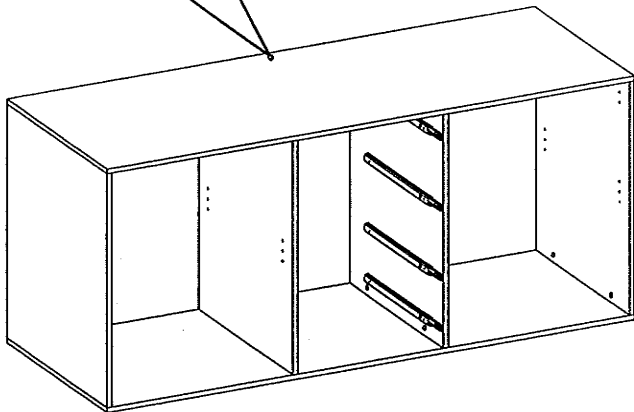
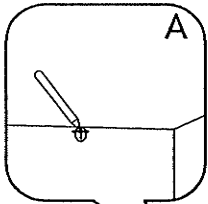





10

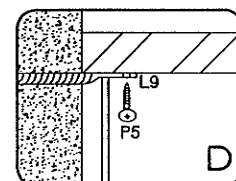
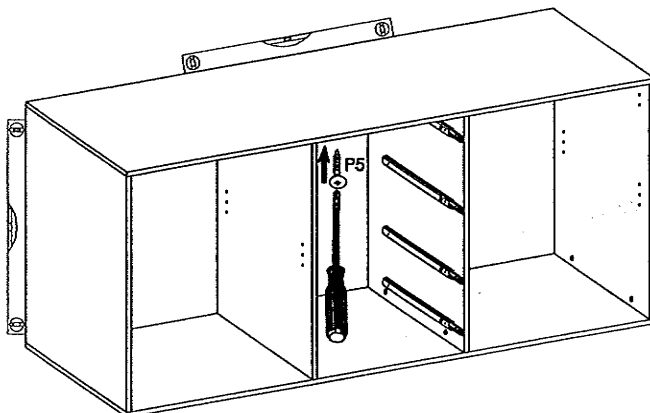
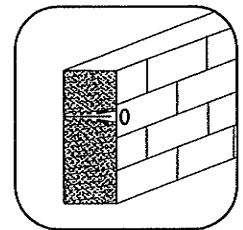
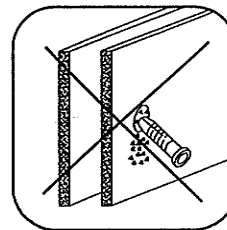
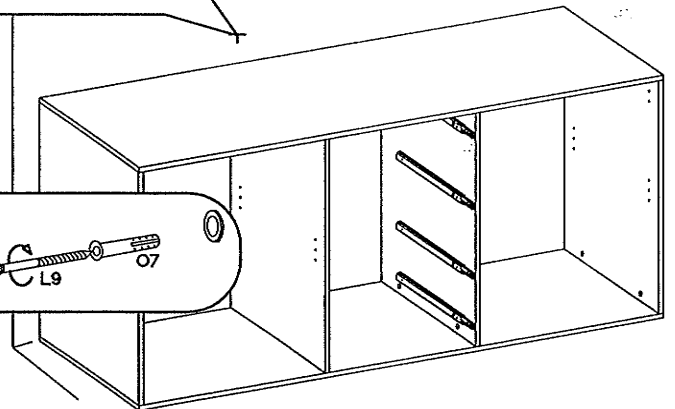
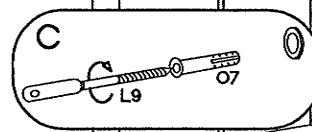
$\#3.0 \times 20 \text{mm}$  P7 10	 L2 10	 L 10
--	---	--



11



$\#3.5 \times 13 \text{mm}$  P5 1	$\#10 \times 50 \text{mm}$  O7 1	 L9 1
---	--	---



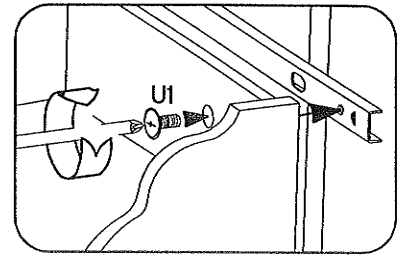
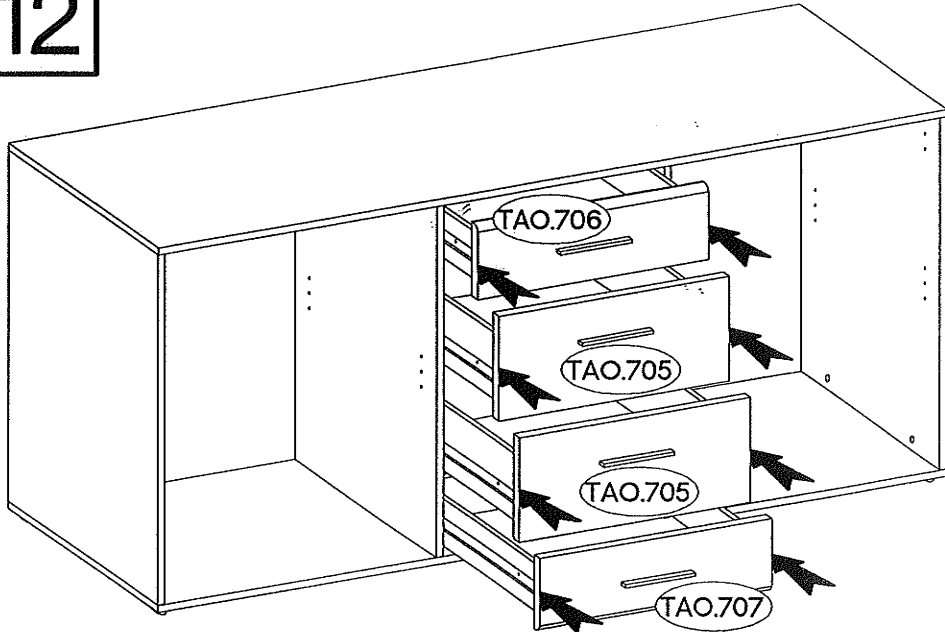
12

M4x9mm



U1

8



13

L=128mm

φ4.0x30mm



S1

2



R2

4



E

16



J12

8

