

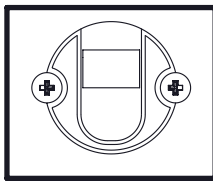
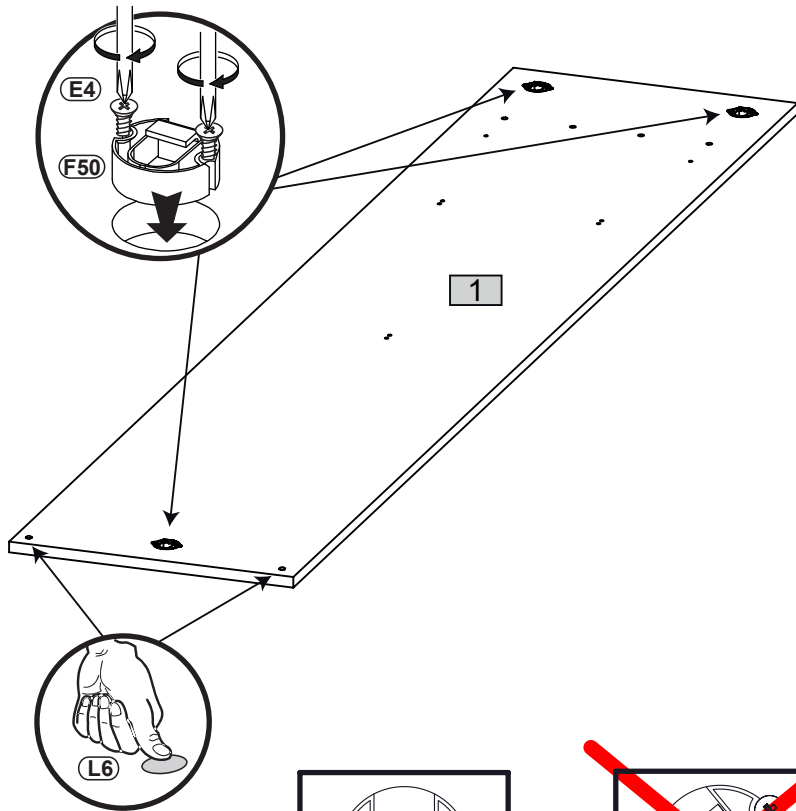
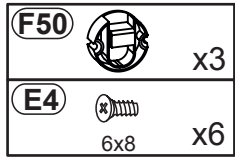
<b>H21</b>		x3
<b>P5</b>		x6
	4x30	
<b>H30</b>		x1
<b>A2</b>		x4
	M4x25	

<b>F50</b>		x3
<b>E4</b>		x6
	6x8	
<b>K2</b>		x4
	7x70	
<b>T10</b>		x3
	φ4,5x60	
<b>L6</b>		x2

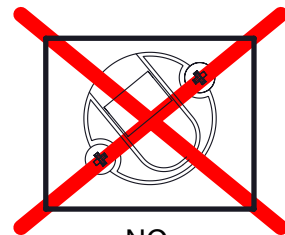
Nr	Ausmaß			St
1	1950	400	15	1
2	398	350	15	1



1

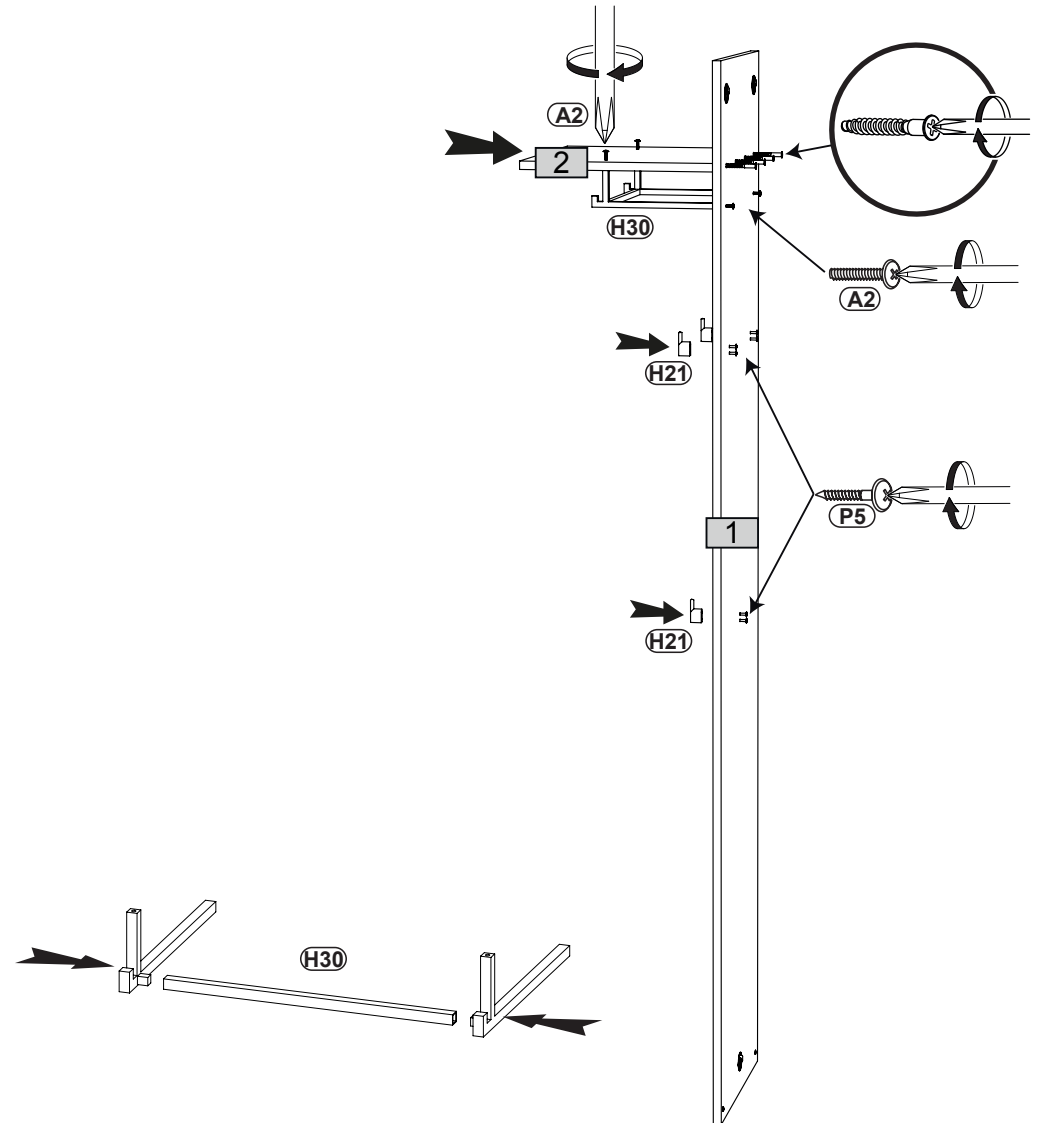
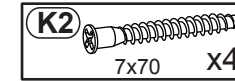
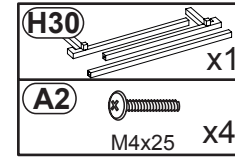
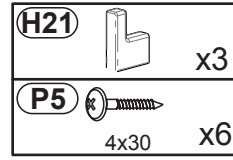


OK



NO

2



3

T10  $\phi 8 \times 50$   
 $\phi 4,5 \times 60$  x3

