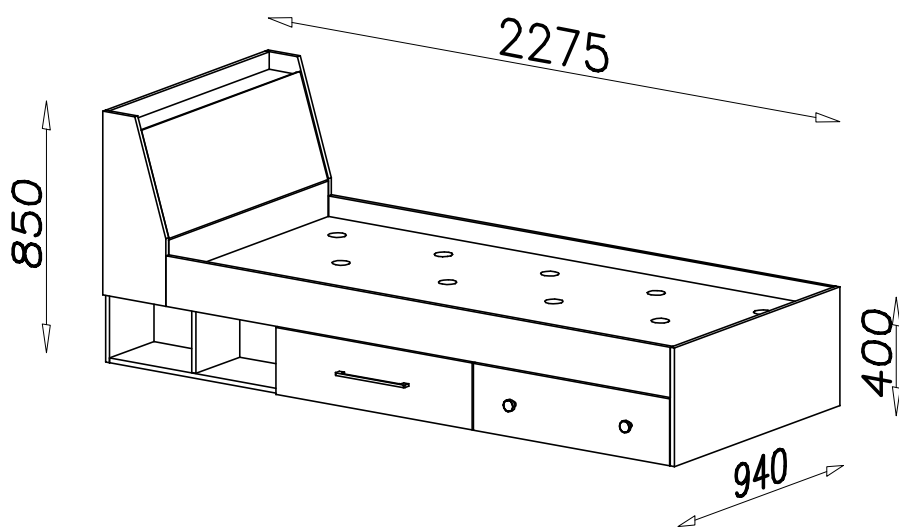
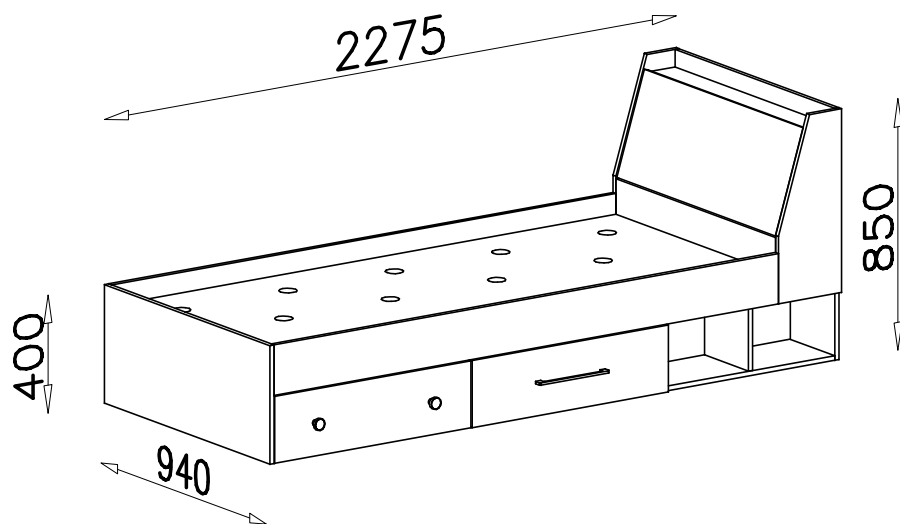
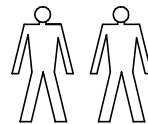
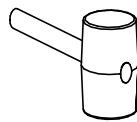
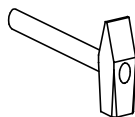
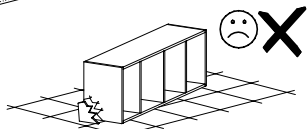
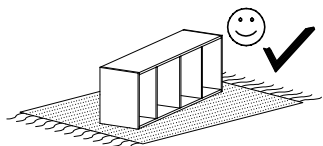
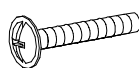

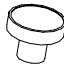
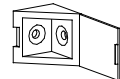
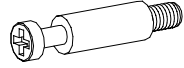
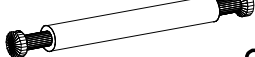
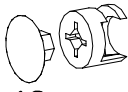
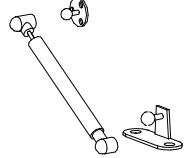
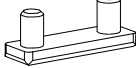


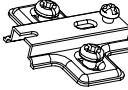


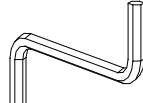
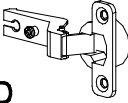
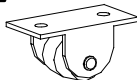
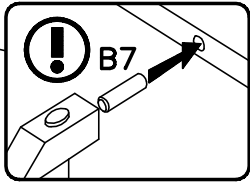
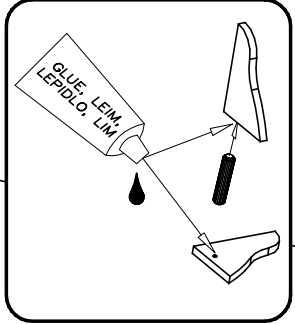
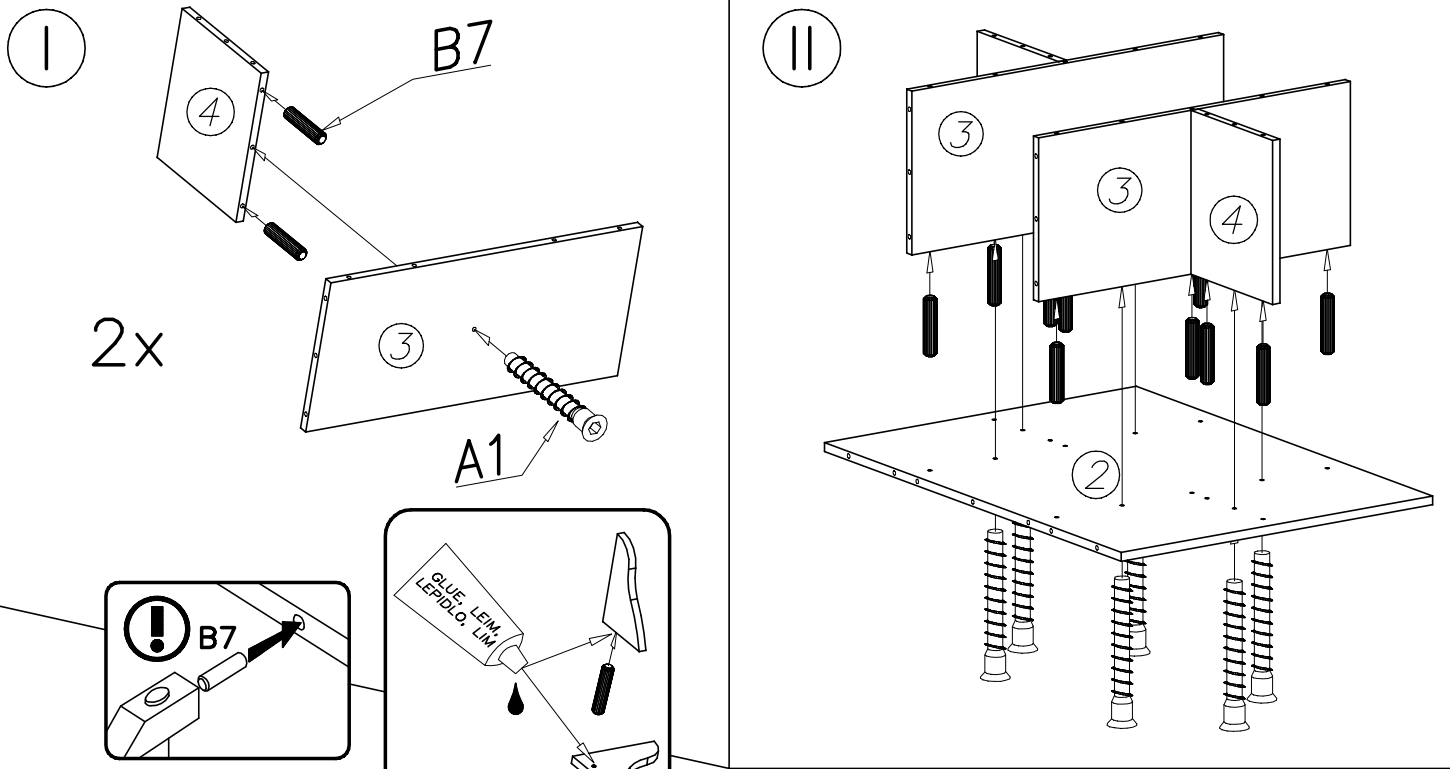


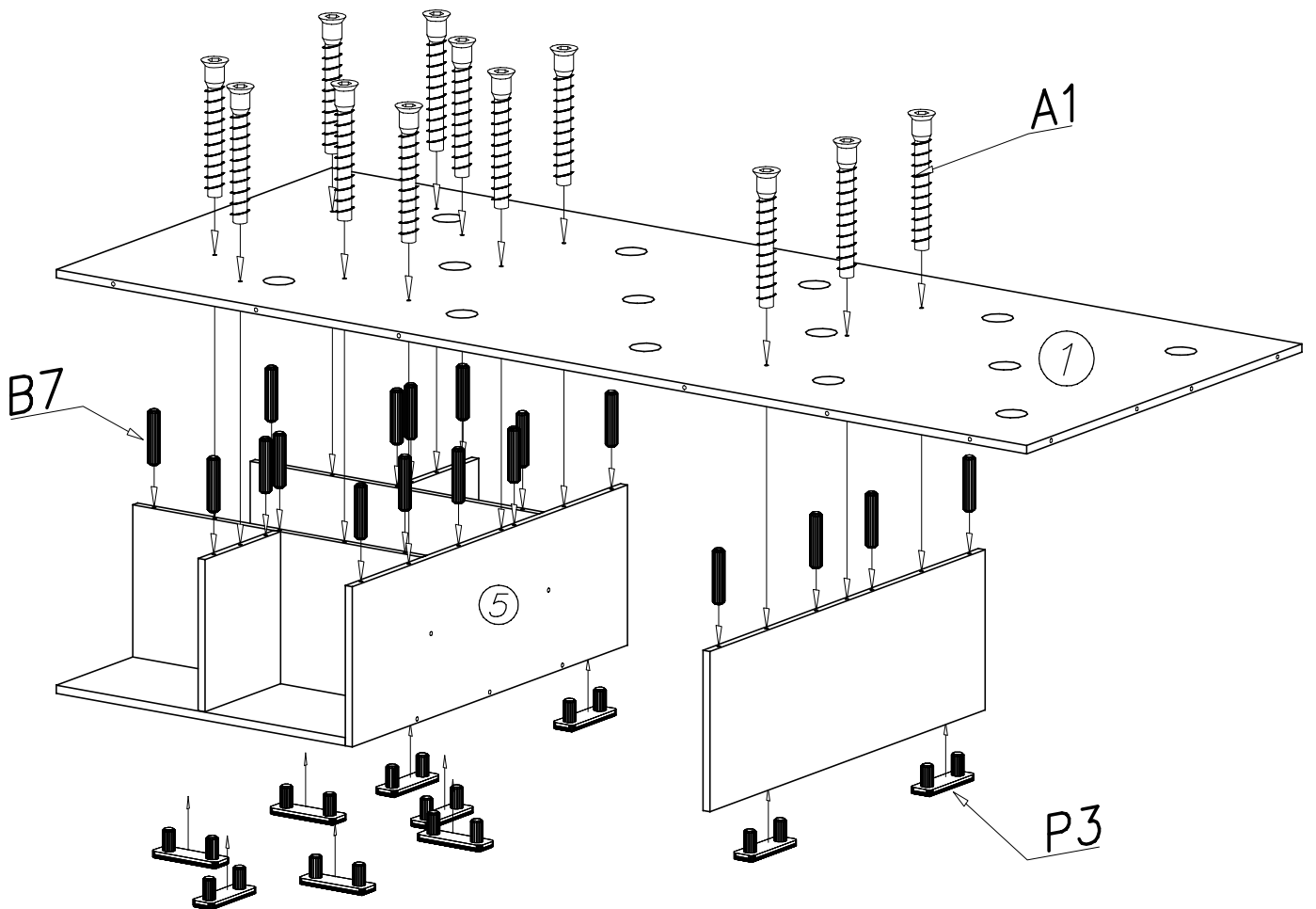
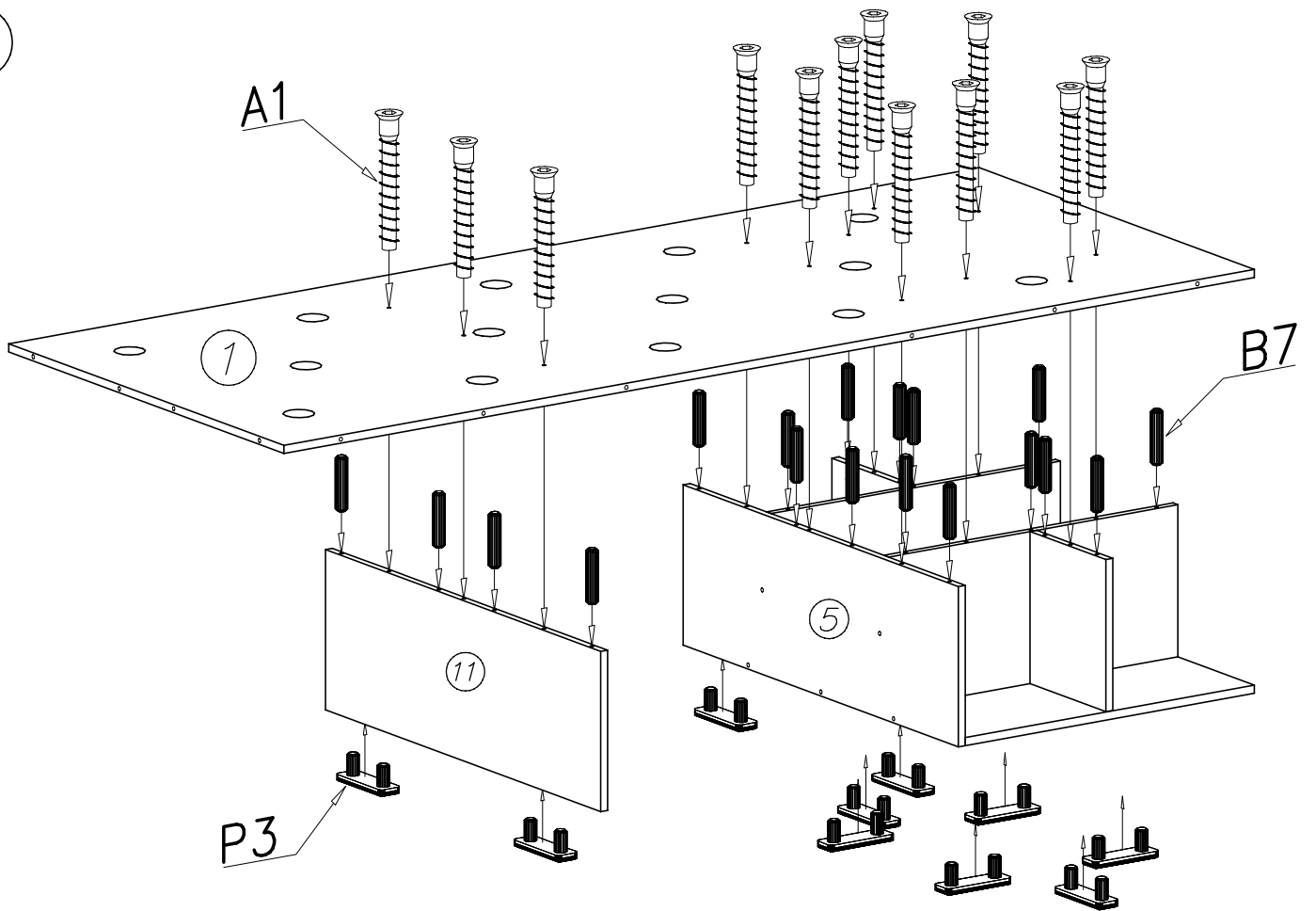
# STEP ST11 L/P



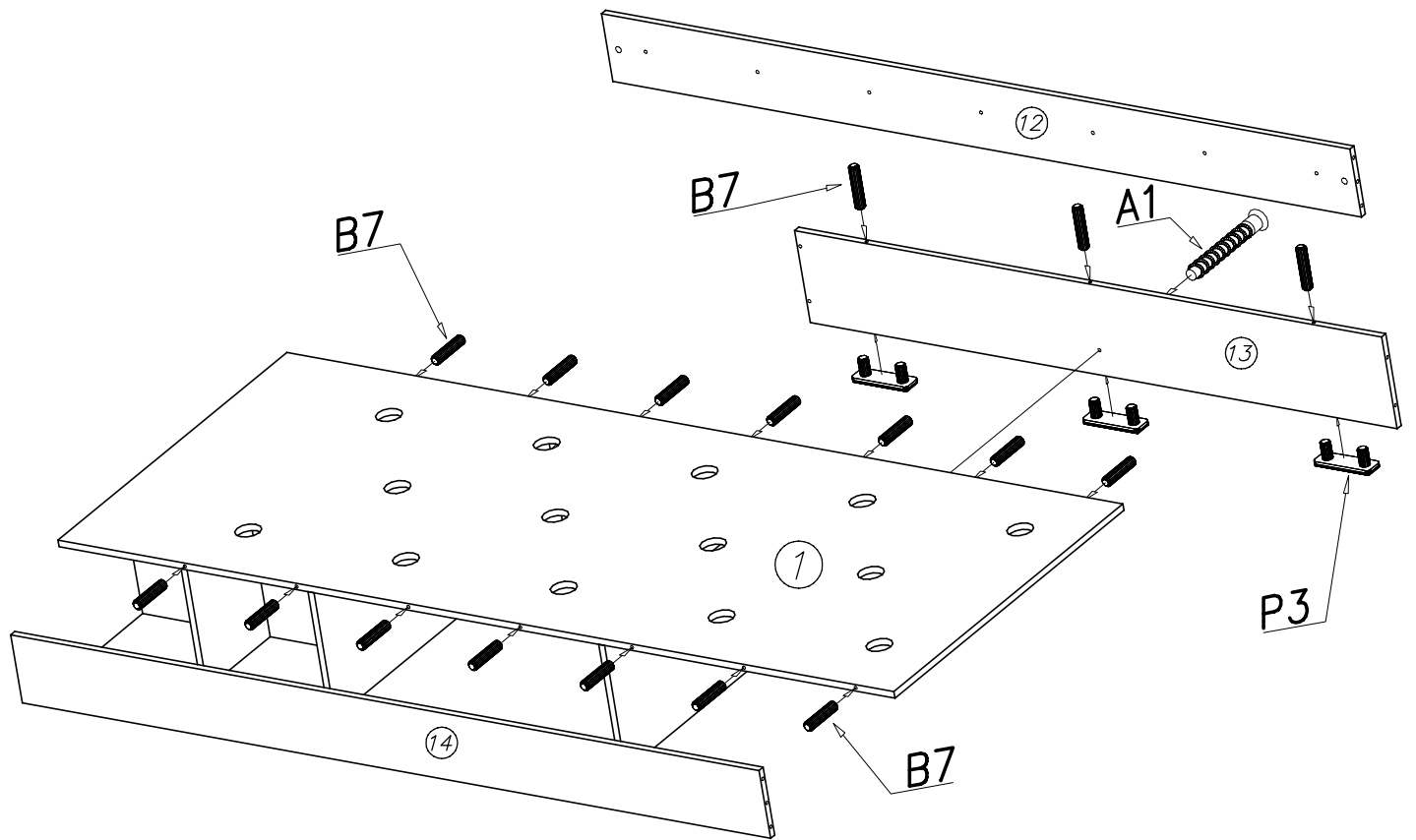
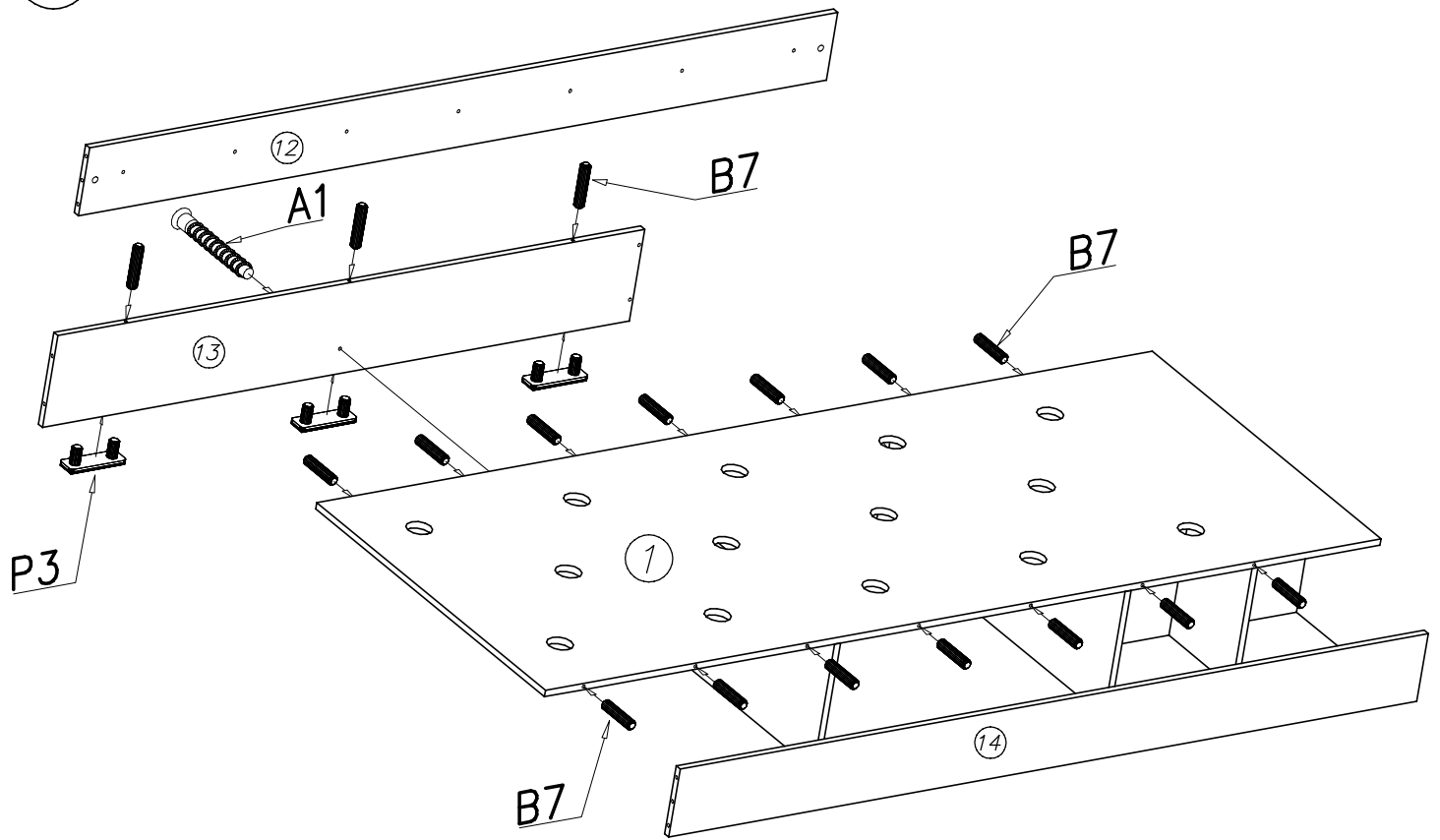
<b>N13</b>  M4x22 x4	<b>E7</b>  x1	<b>E8</b>  x2		
<b>F4</b>  x12	<b>K5</b>  x9	<b>K6</b>  x2	<b>K1</b>  ø15x12 x13	<b>L8</b>  x1
<b>P3</b>  x17	<b>G4</b>  4x16 x44	<b>W1</b>  KLEJ x1	<b>D4</b>  PZ350D x2	<b>80N</b> x1
<b>A1</b>  ø7x50 x42	<b>B7</b>  ø8x30 x139	<b>W2</b>  x1	<b>C4</b>  Z350D x2	<b>P24</b>  x8

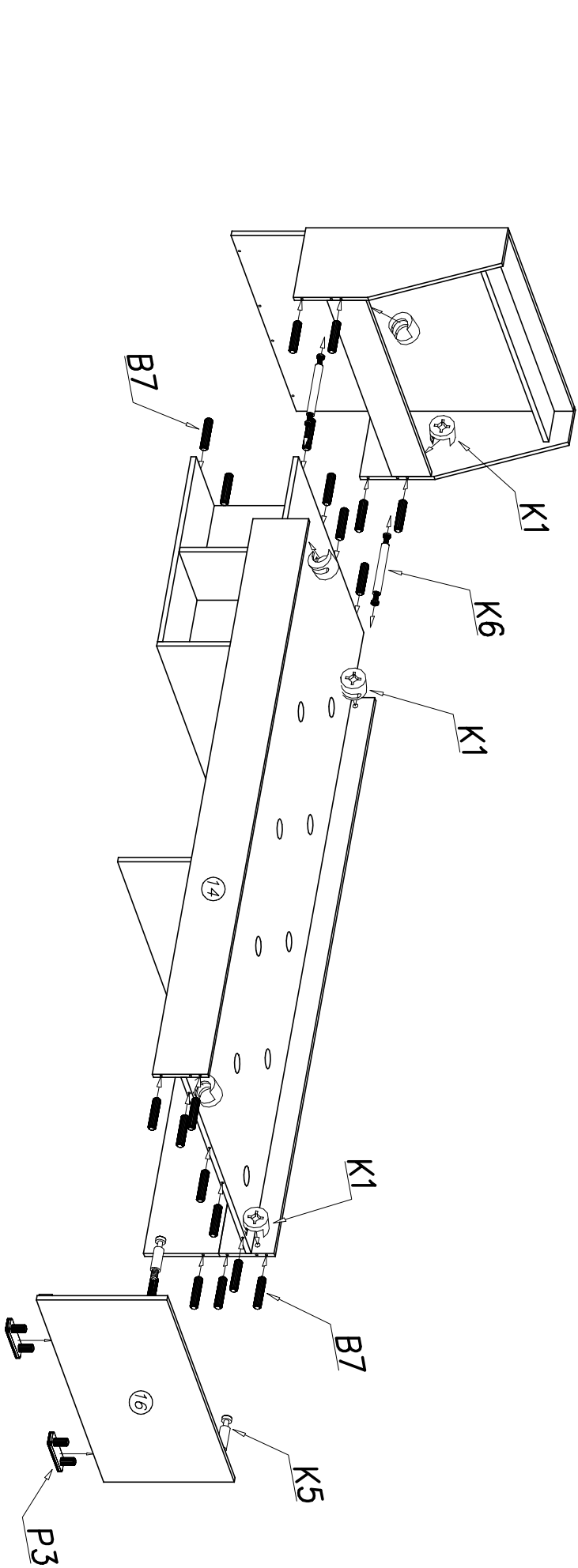
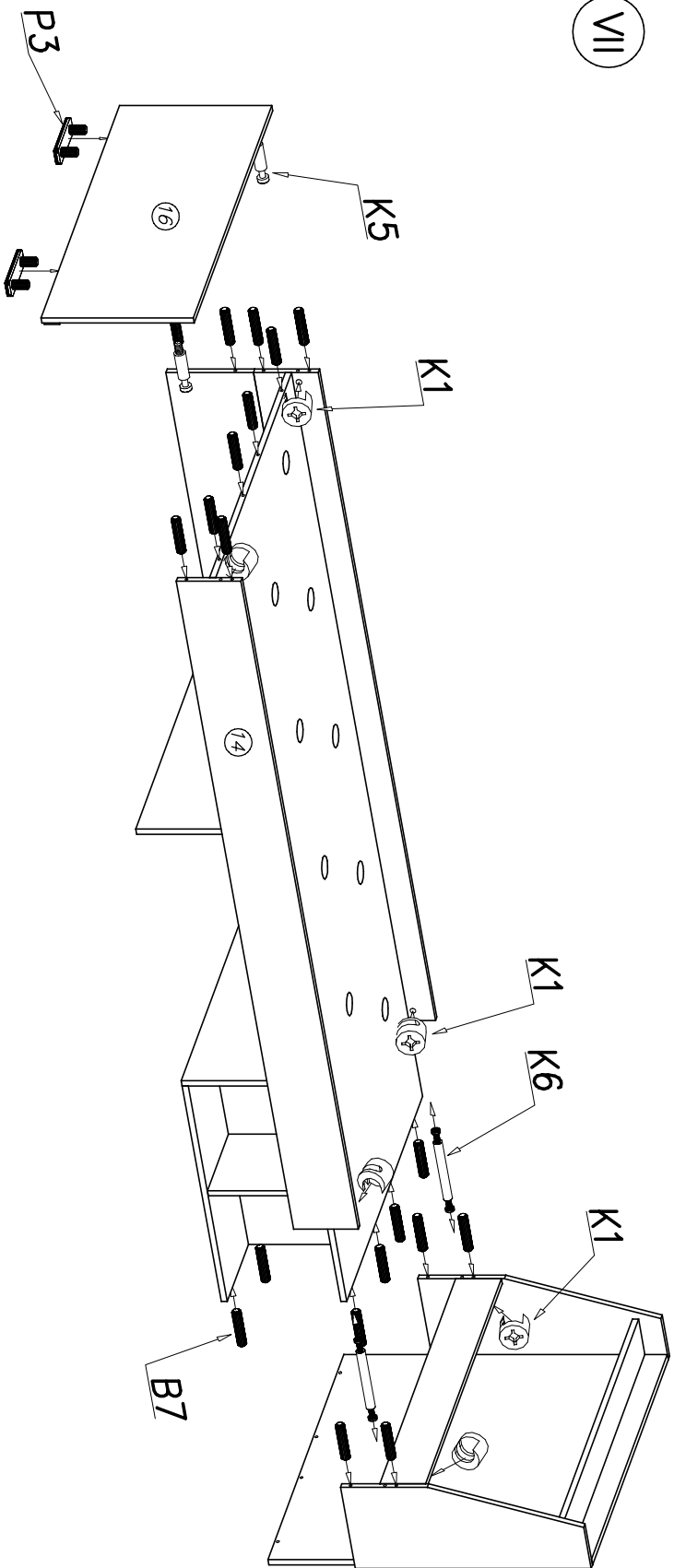


V

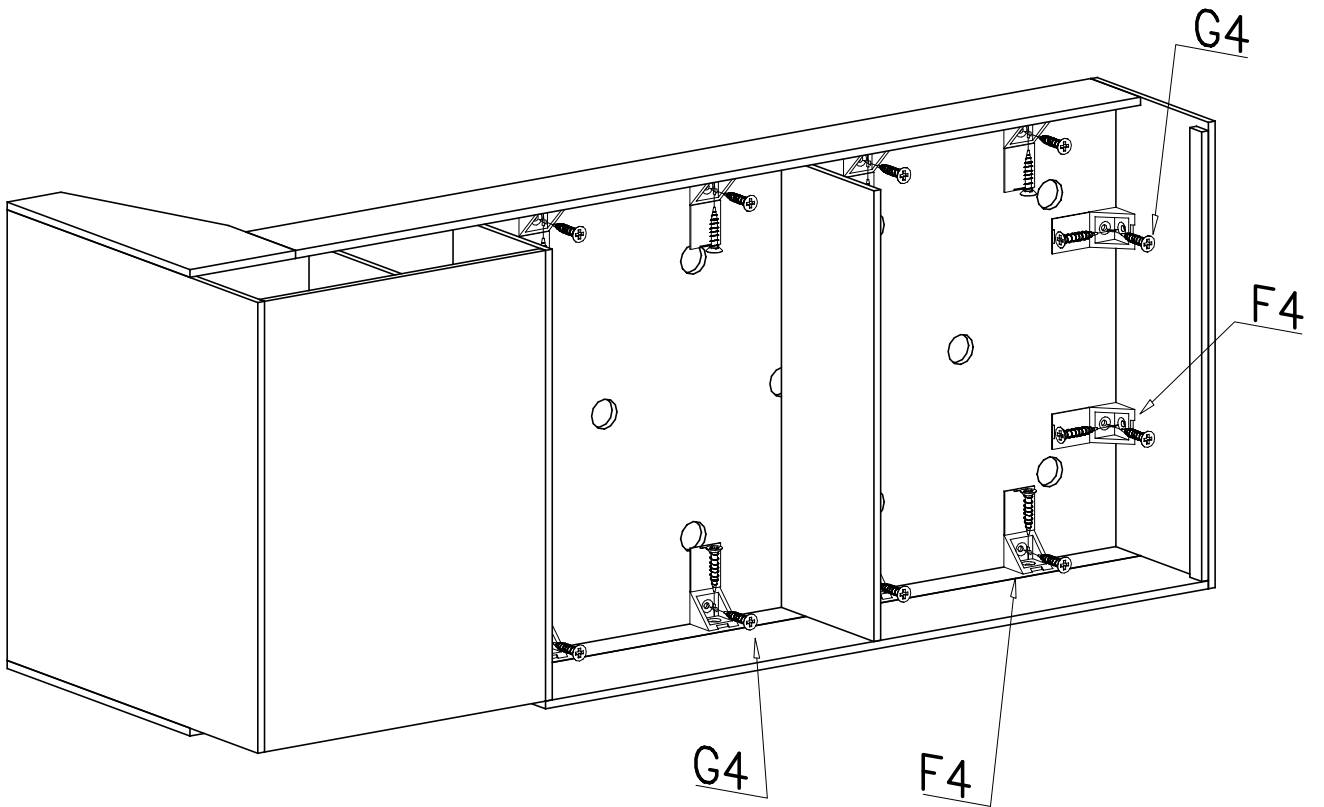
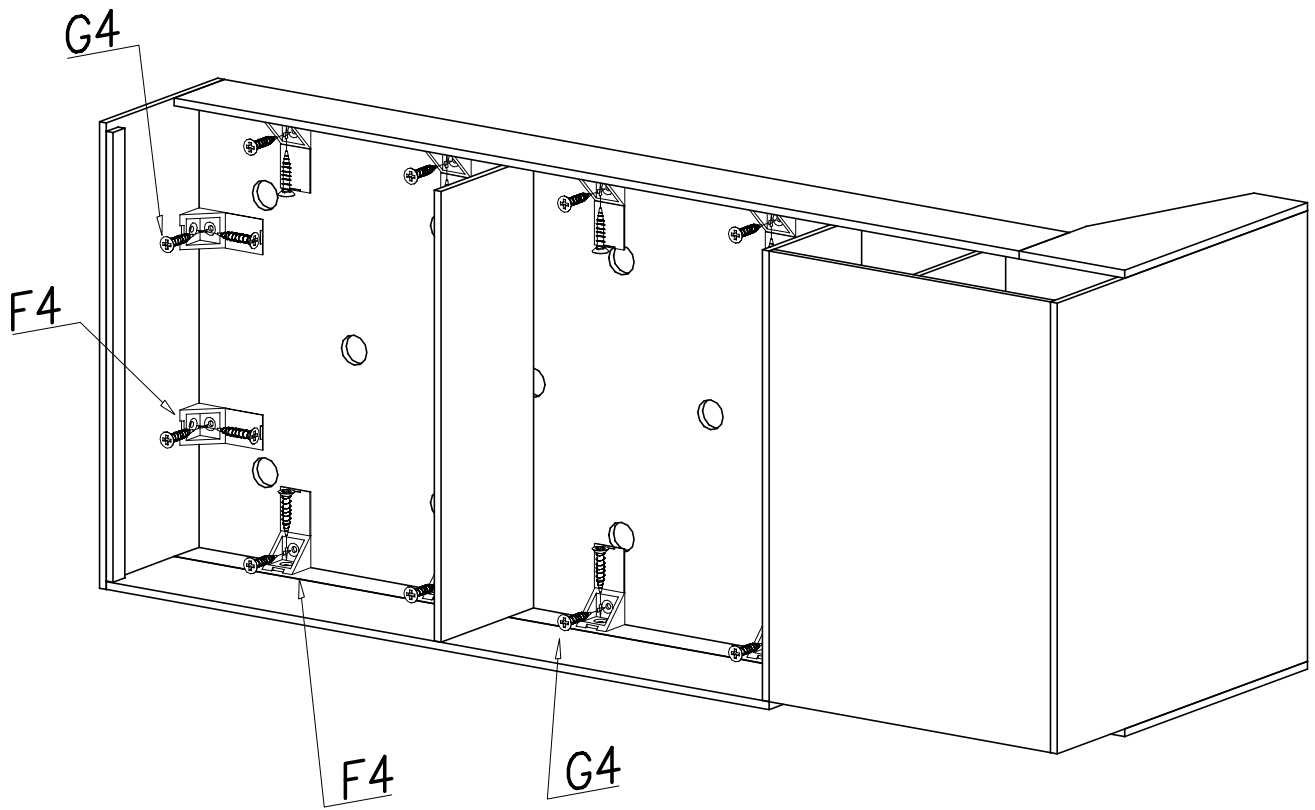


VI

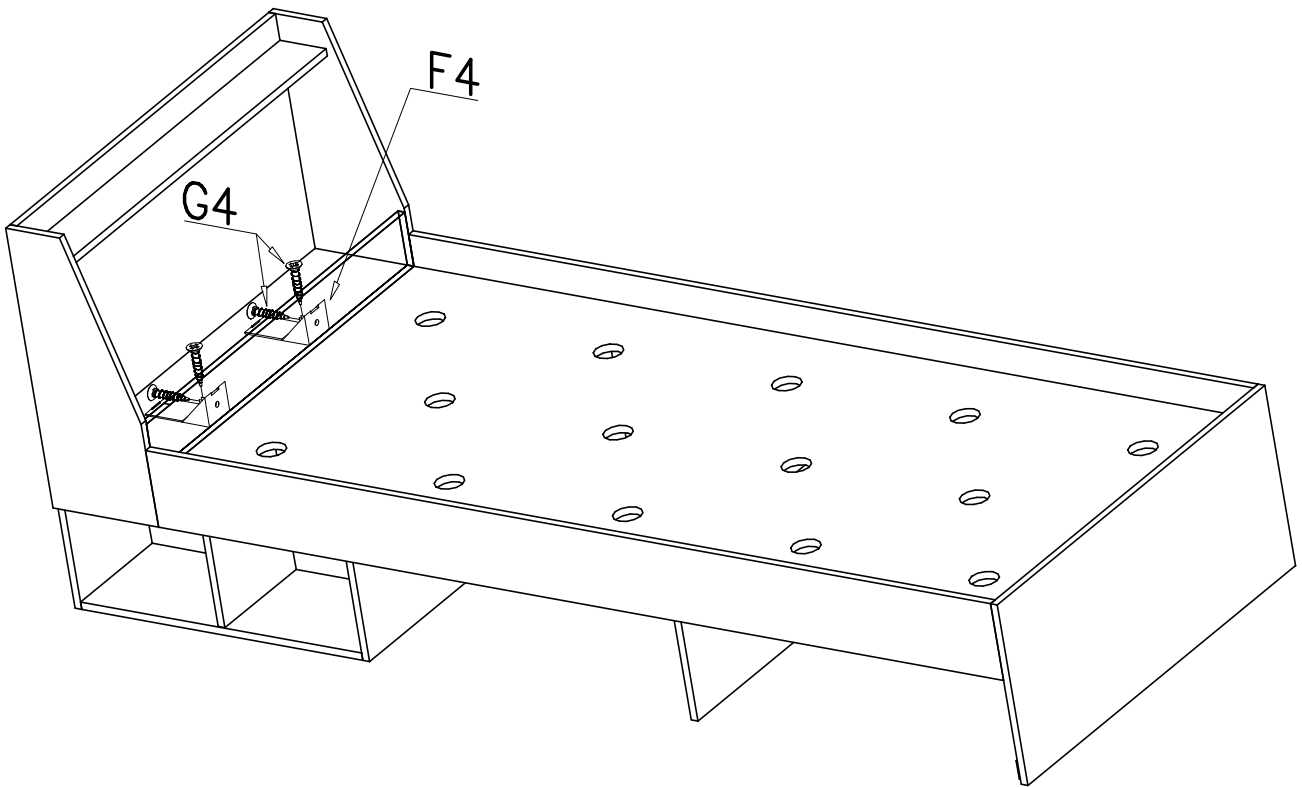
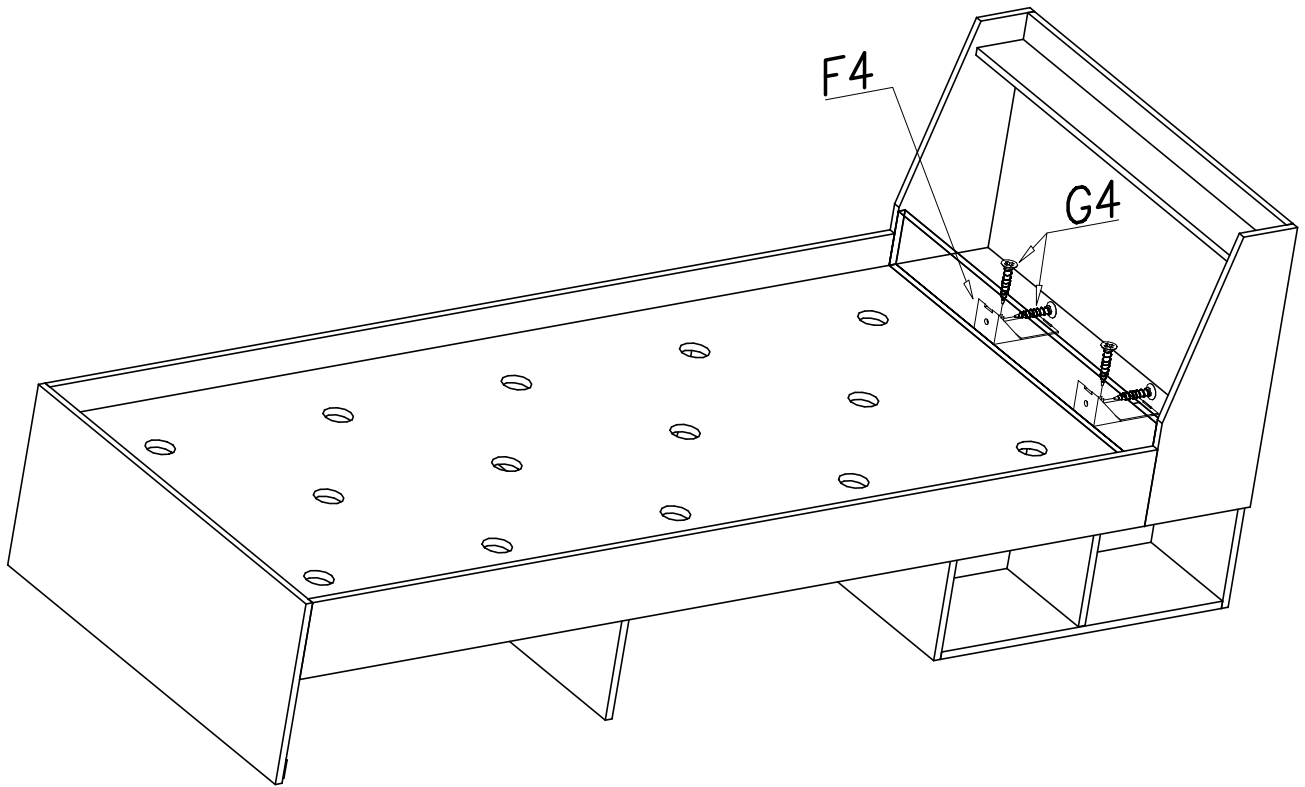




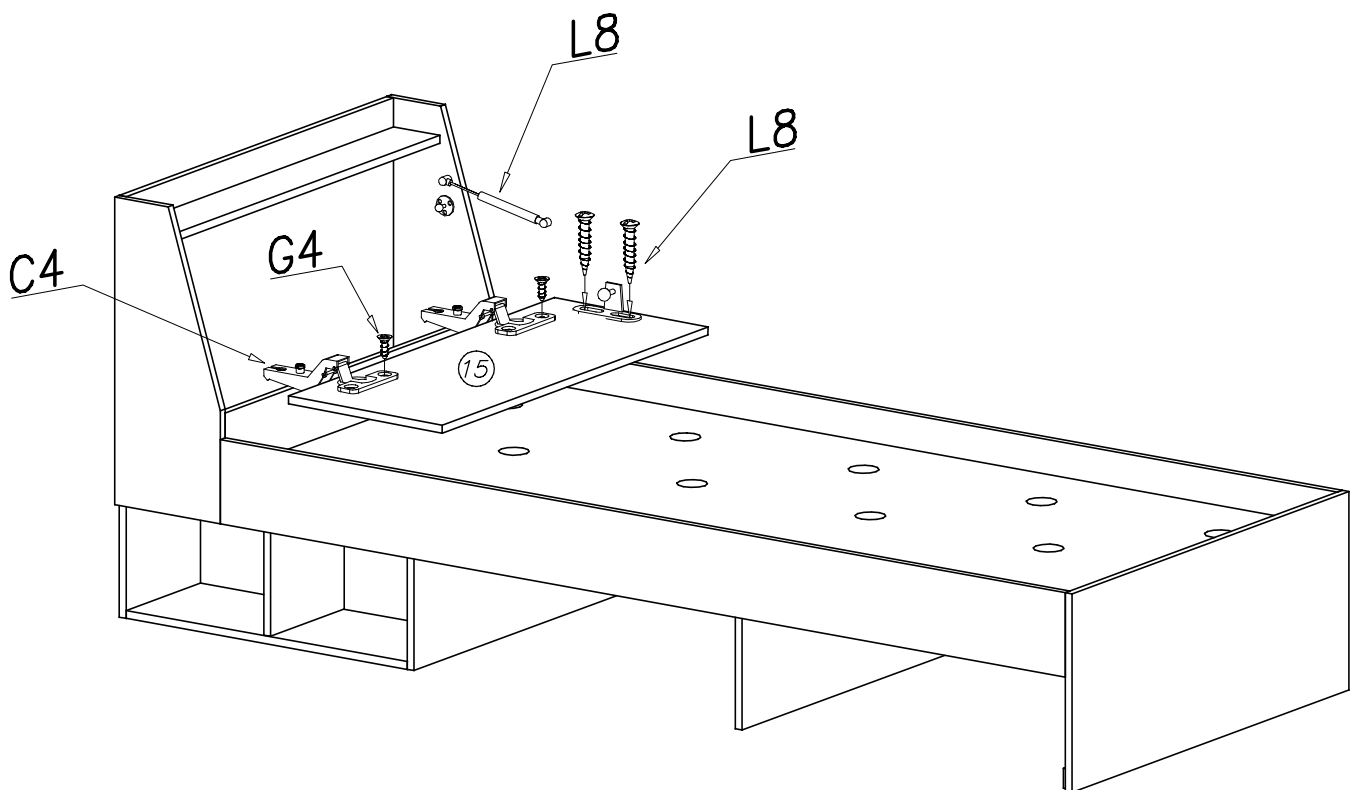
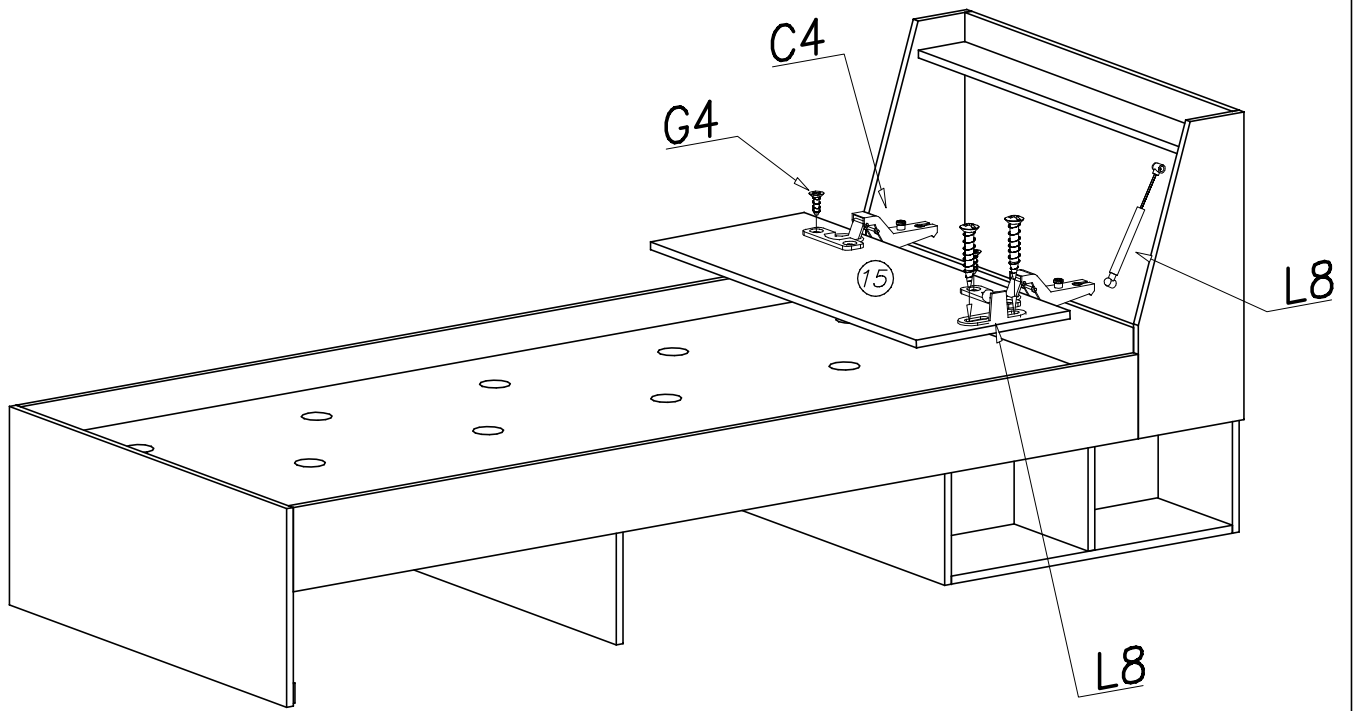
VIII



IX

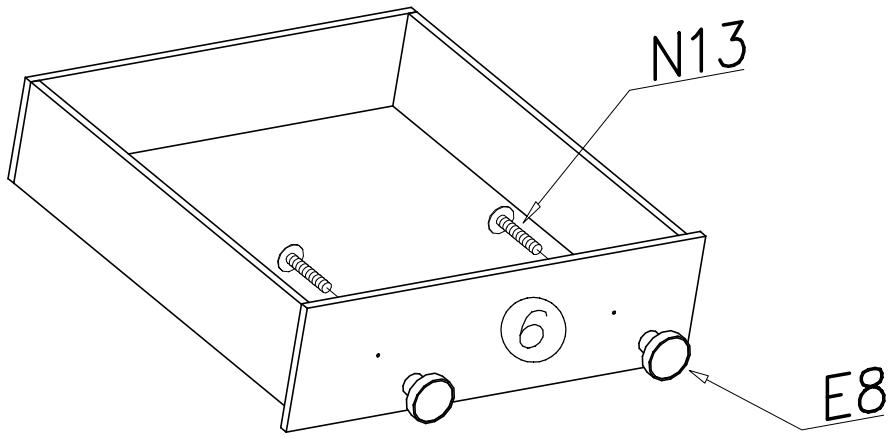
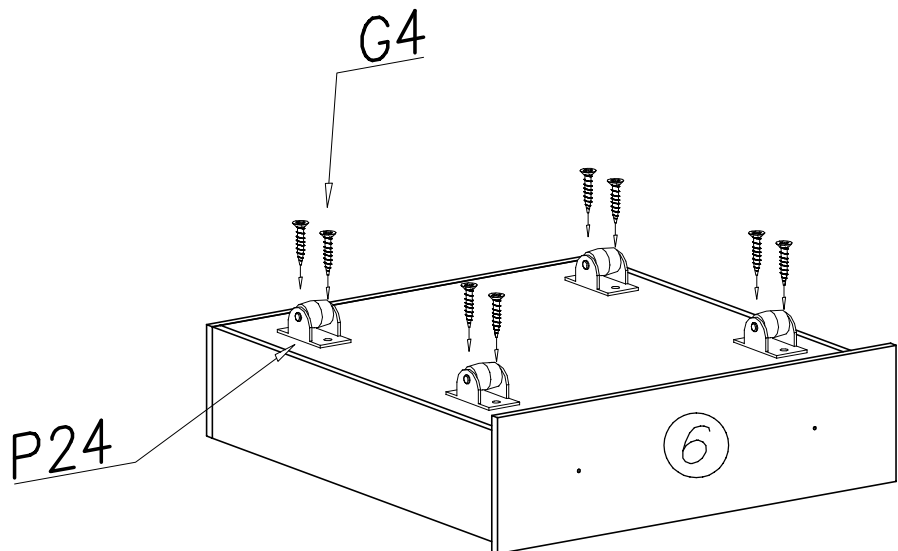
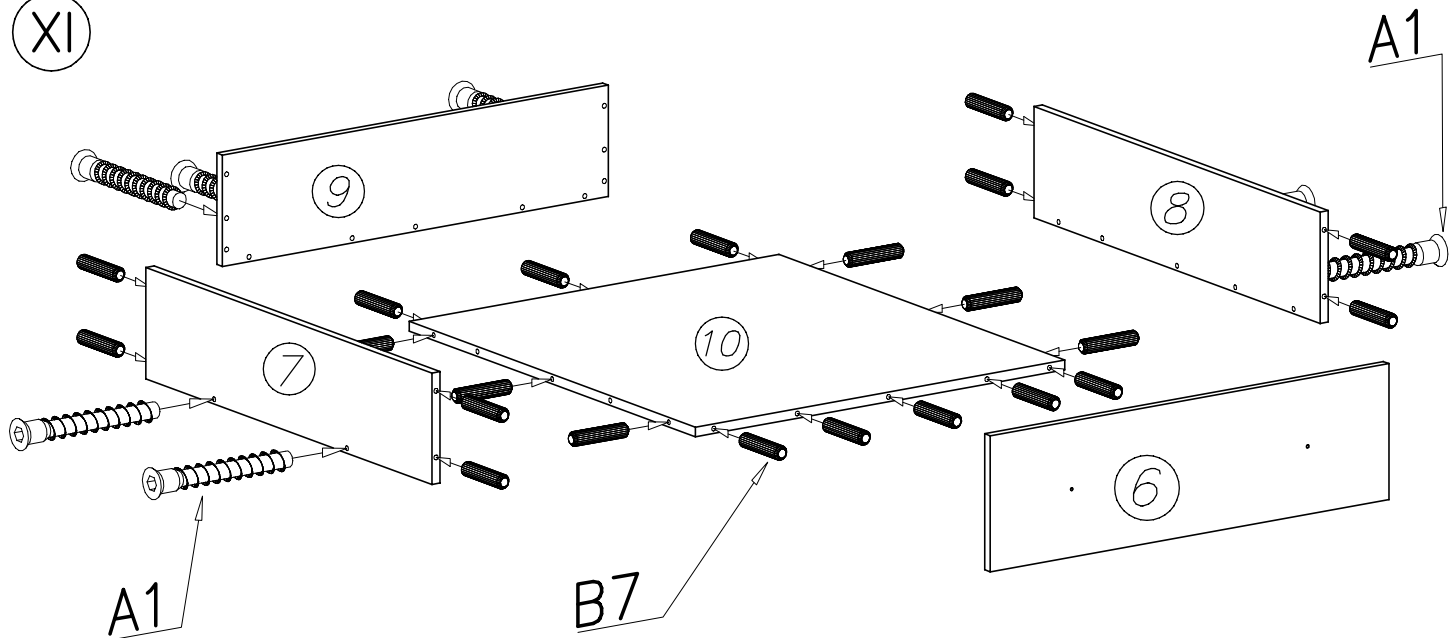


(X)





XI



XII

