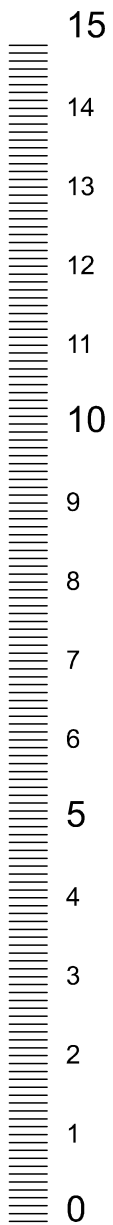
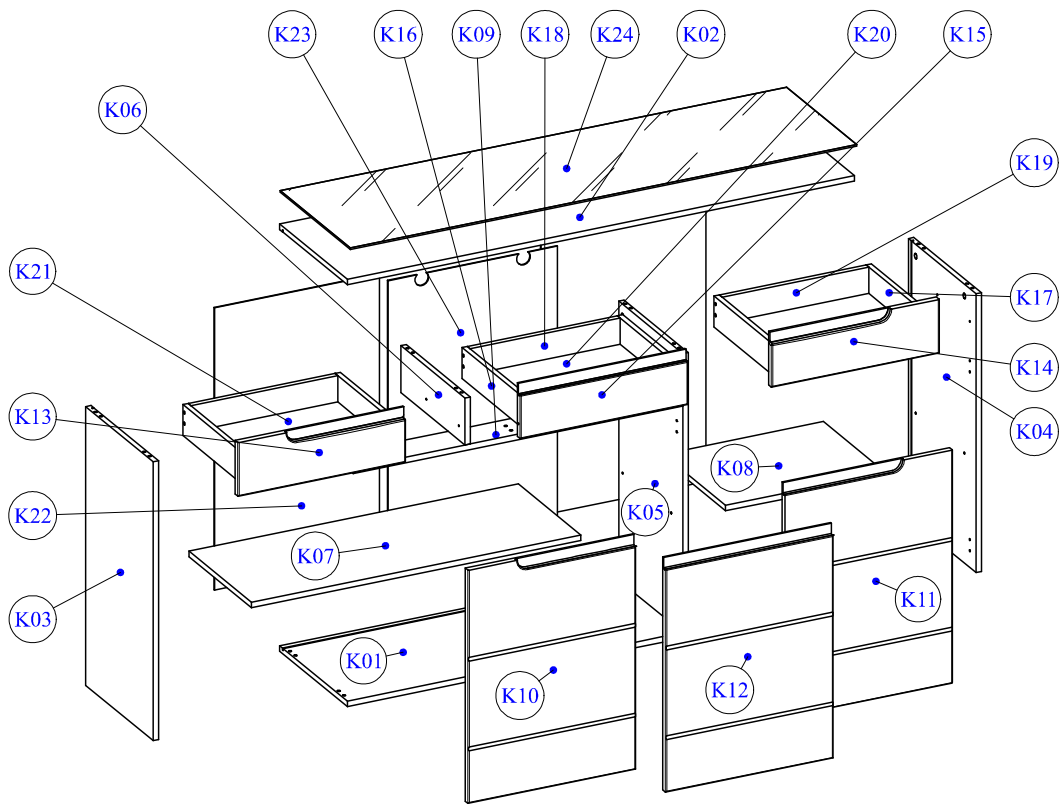
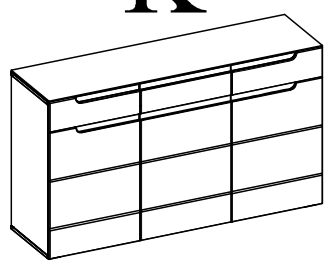


TIGER SB



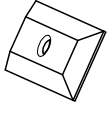
K

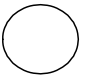


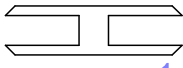
K24	1498	415	1	1
K23	818	501	1	1
K22	818	488	2	2
K21	447	352	2	2
K20	457	352	1	2
K19	434	76	2	2
K18	444	76	1	1
K17	347	90	3	2
K16	347	90	3	1
K15	156	496	1	2
K14	156	496	1	2
K13	156	496	1	2
K12	676	496	1	2
K11	676	496	1	2
K10	676	496	1	2
K09	976	100	1	1
K08	474	370	1	1
K07	975	370	1	1
K06	380	136	1	1
K05	808	380	1	2
K04	808	400	1	2
K03	808	400	1	2
K02	1501	400	1	1
K01	1501	400	1	2
Nr	B	H	S	Colli_Nr.

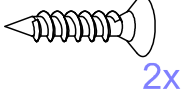



120 min

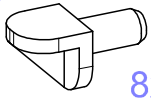
35  7x

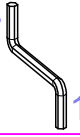
22A  20

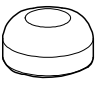
60  670mm
1x

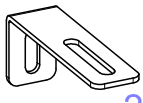
4A  4x16
2x

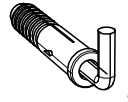
39  3x20
35x

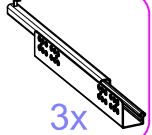
13  8x

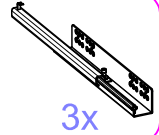
Imbus  1x

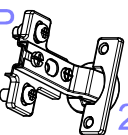
27  6x

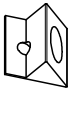
41  2x

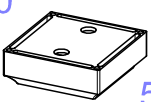
80  2x


92A  3x


92B  3x


54P  2x

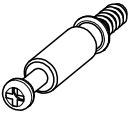
38  13x

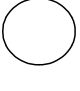
10  5x

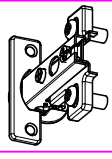
6  5x11
34x


1  8x35
20x

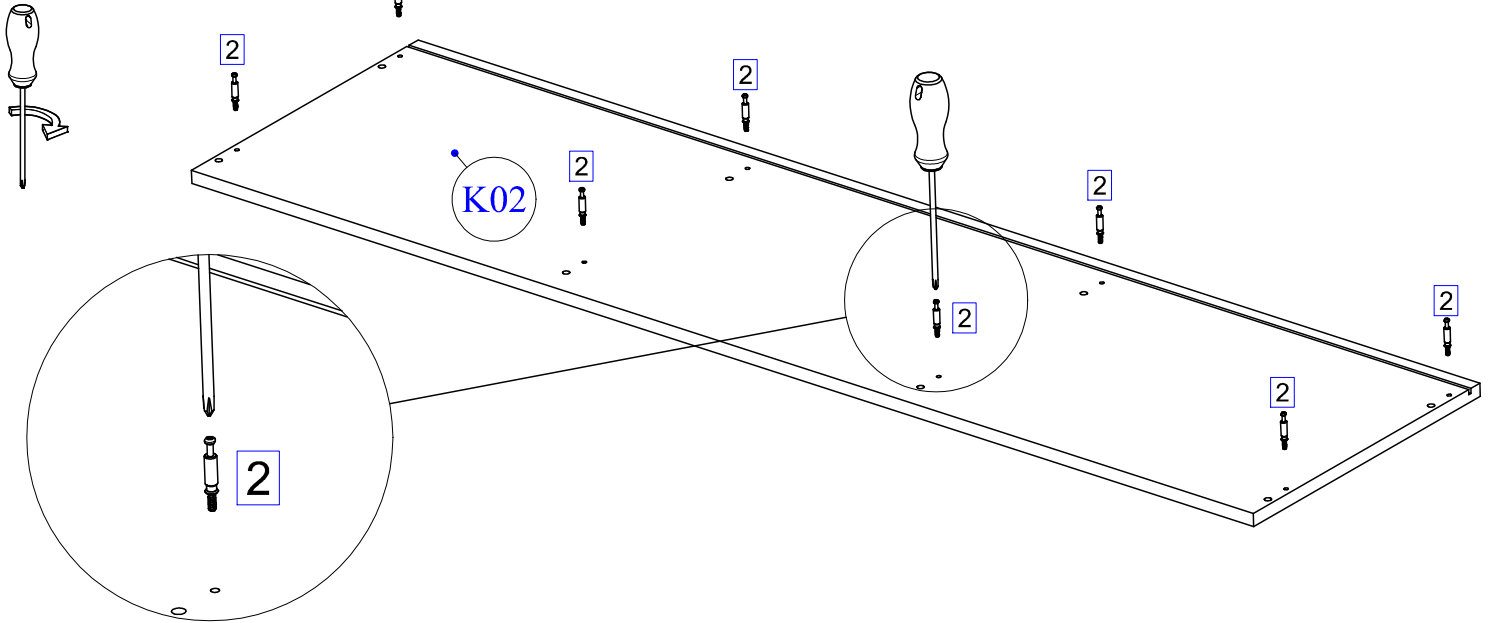
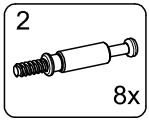
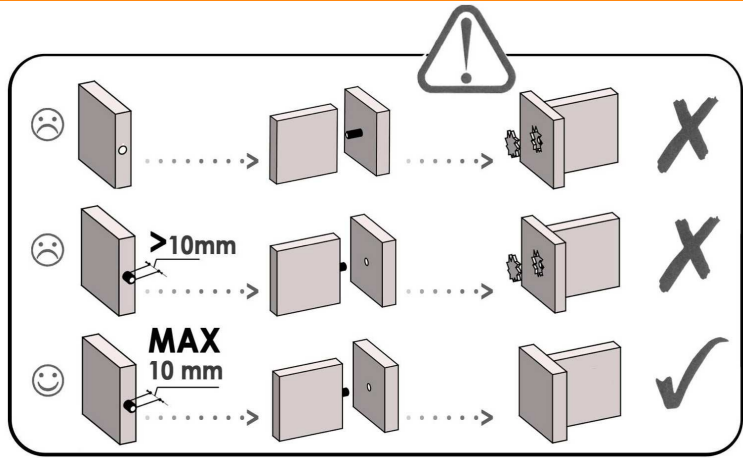
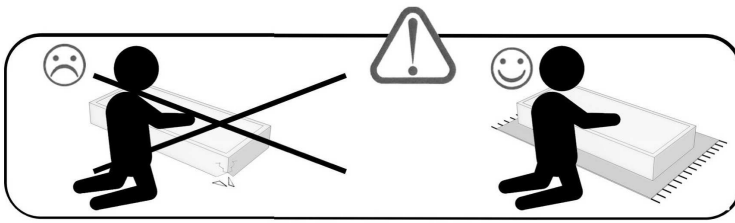
9  Ø15
16x

2  16x

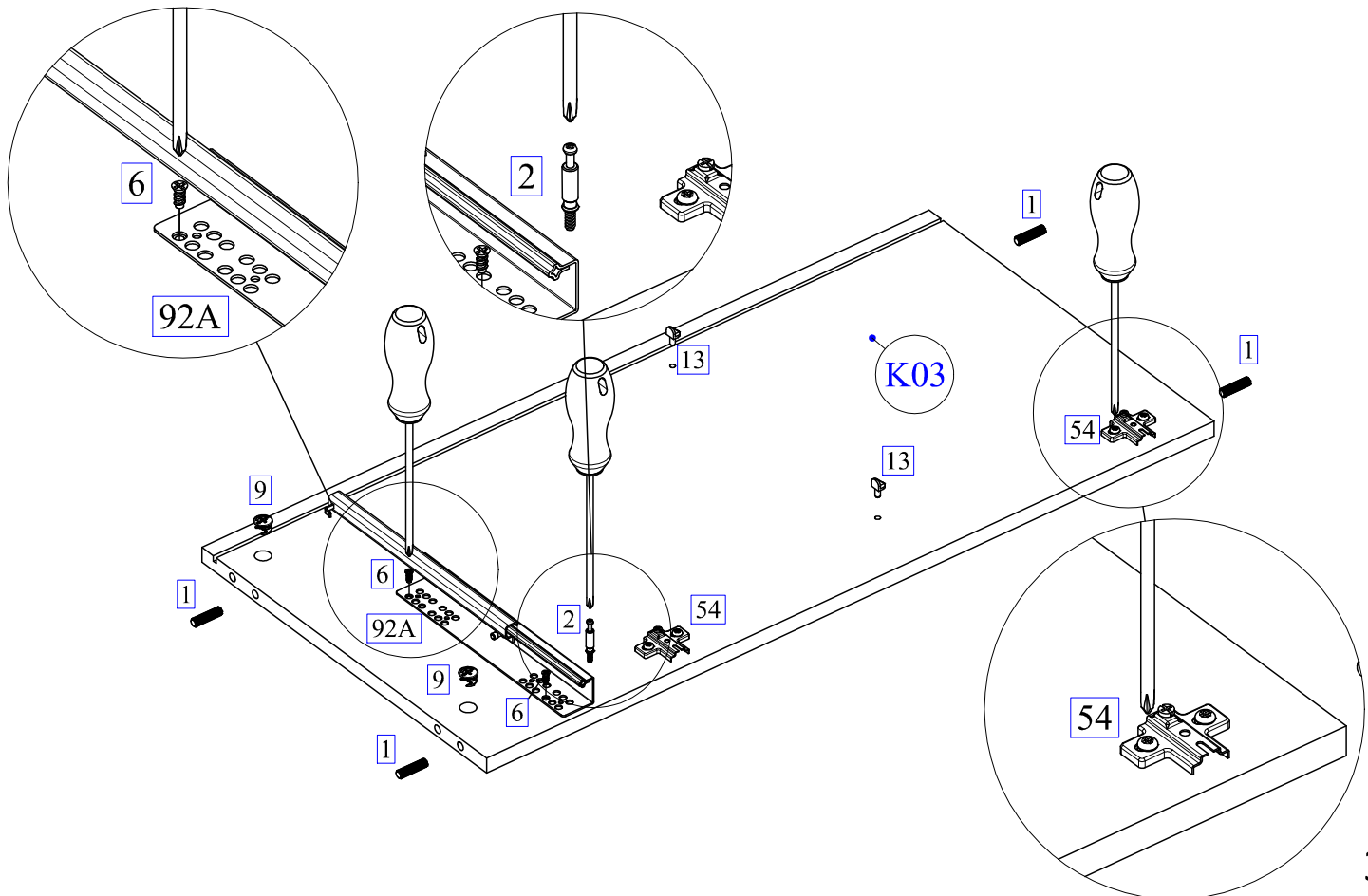
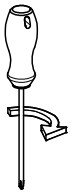
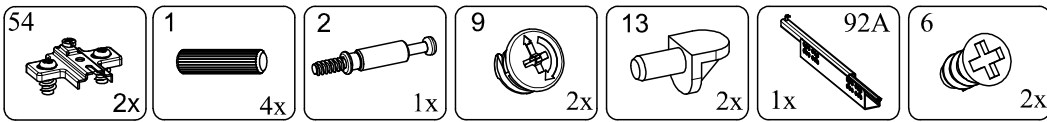
9A  16x

54  4x

22  20x

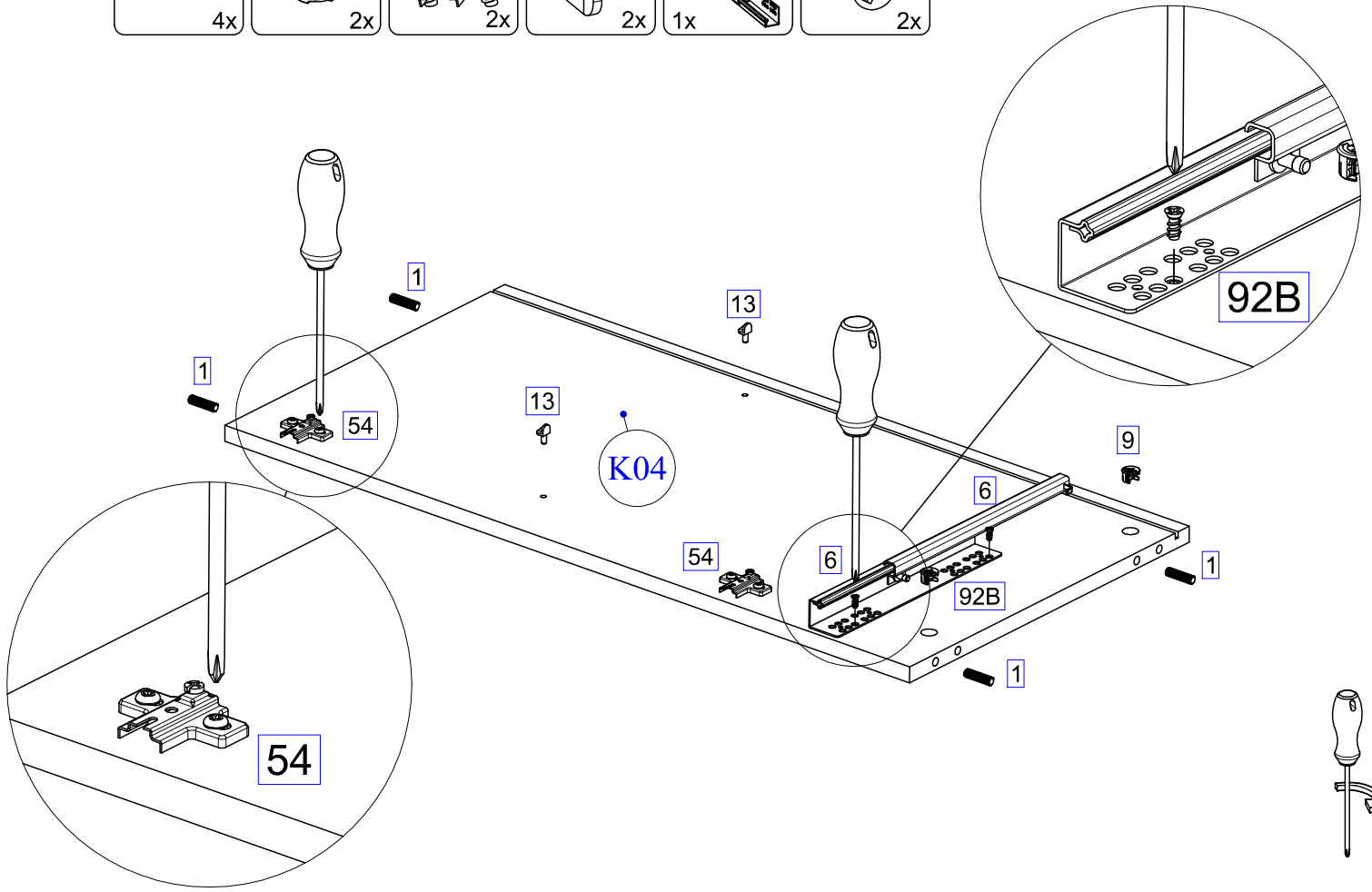


II



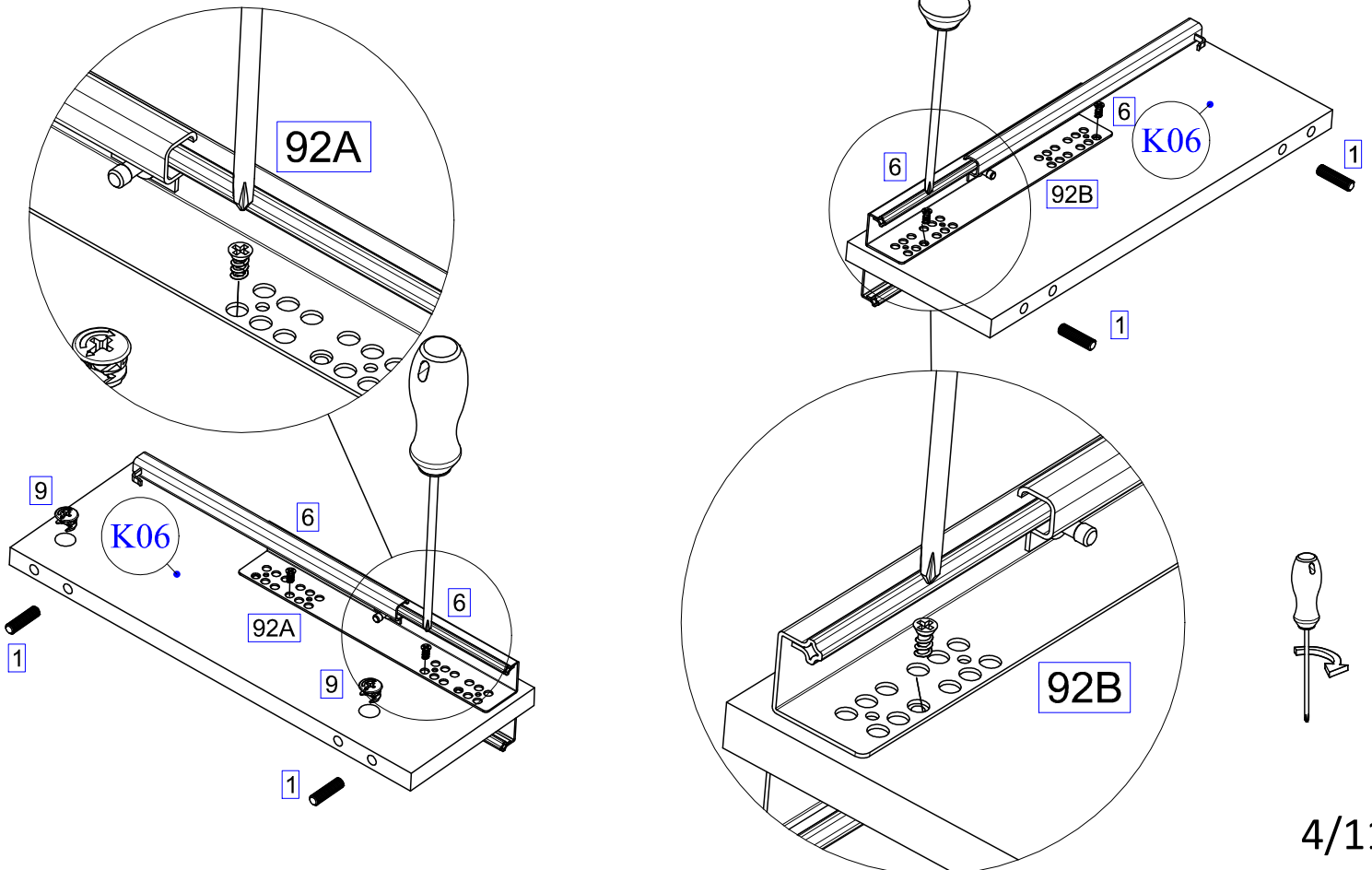
III

- 1 4x
- 9 2x
- 54 2x
- 13 2x
- 92B 1x
- 6 2x

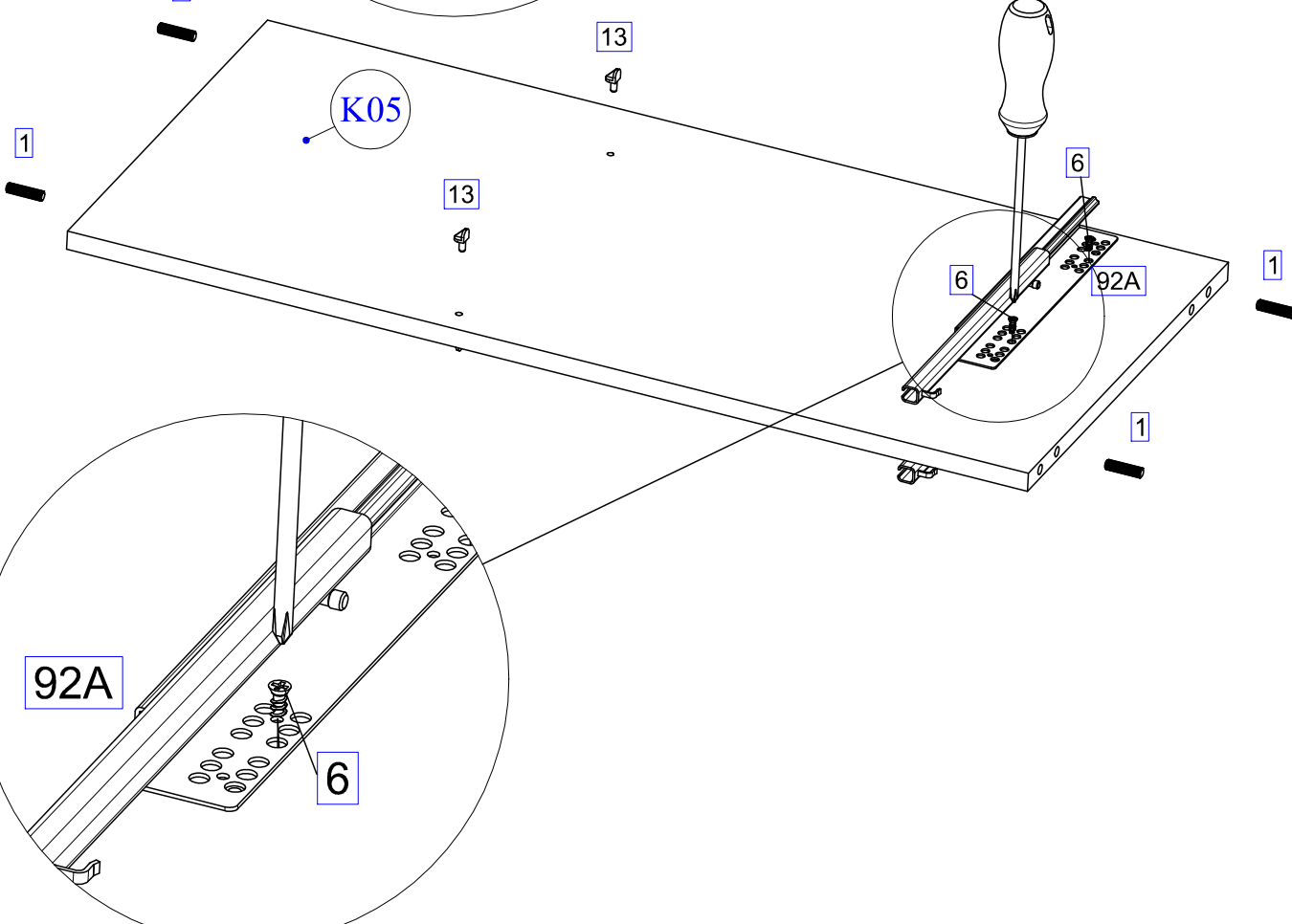
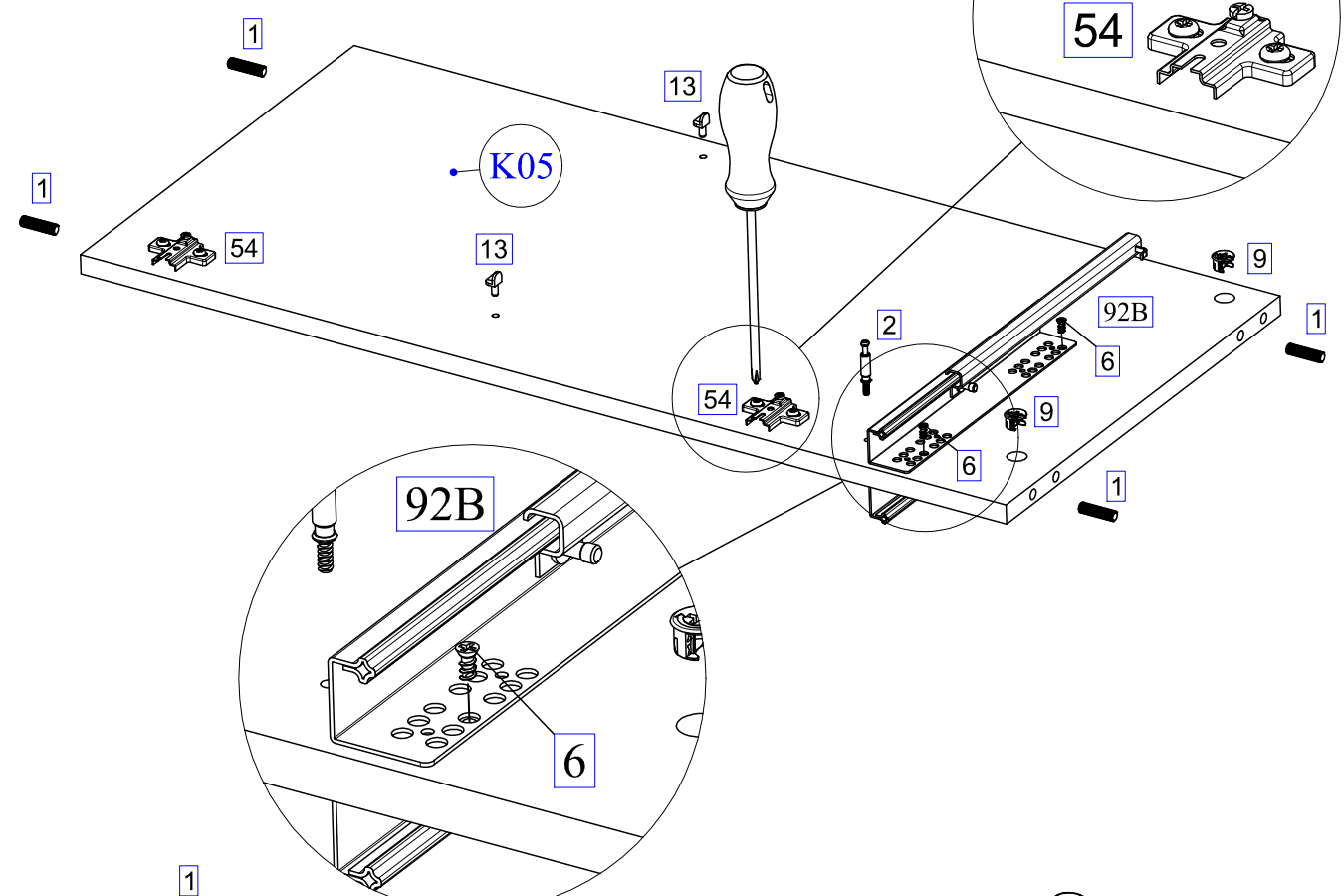
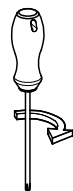
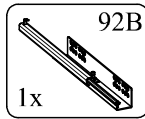
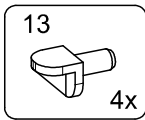
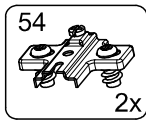
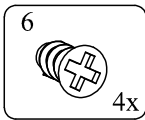
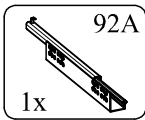
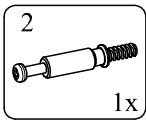
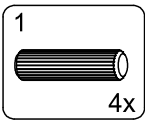
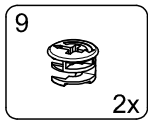


IV

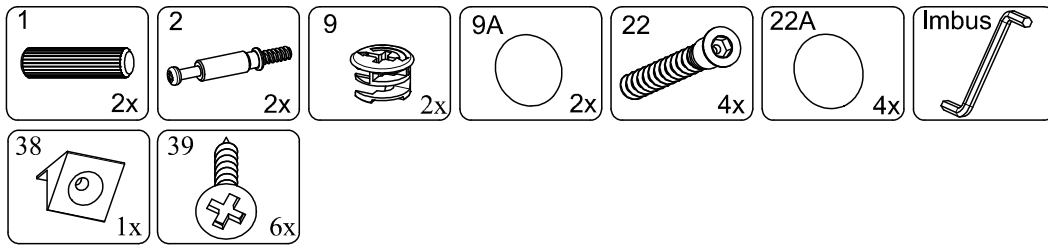
- 1 2x
- 9 2x
- 92A 1x
- 92B 1x
- 6 4x



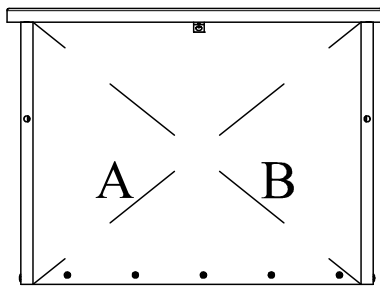
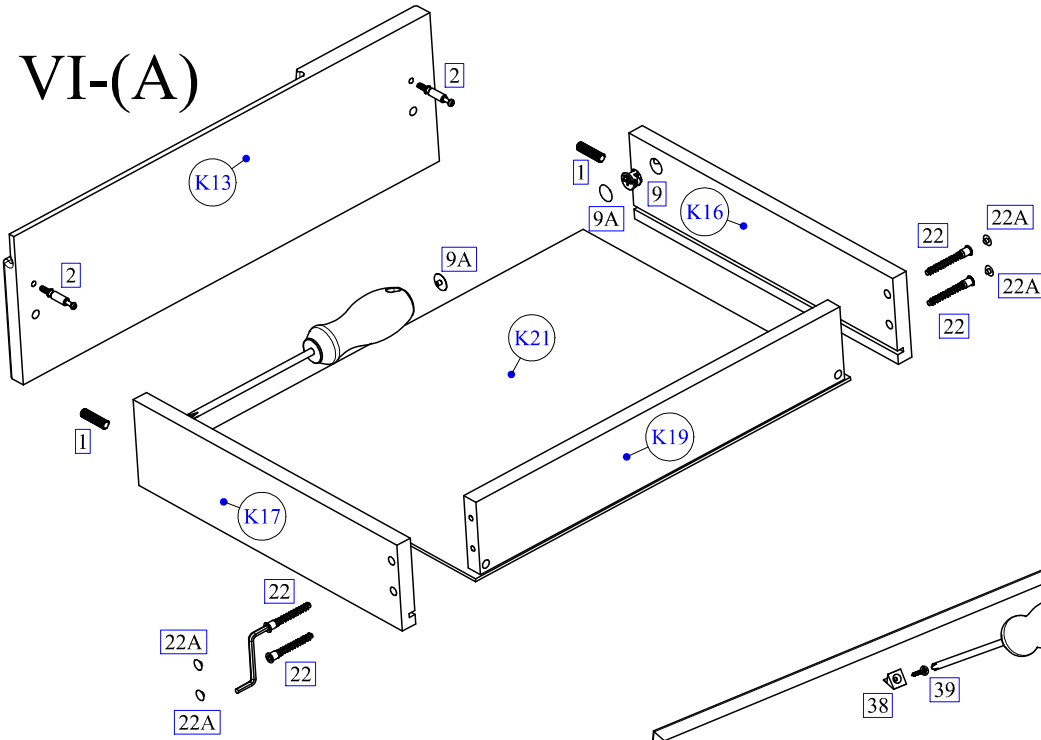
V



VI

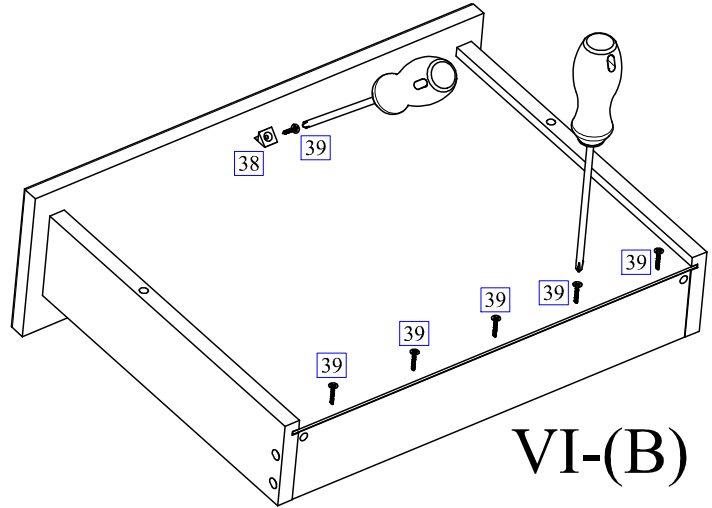


VI-(A)

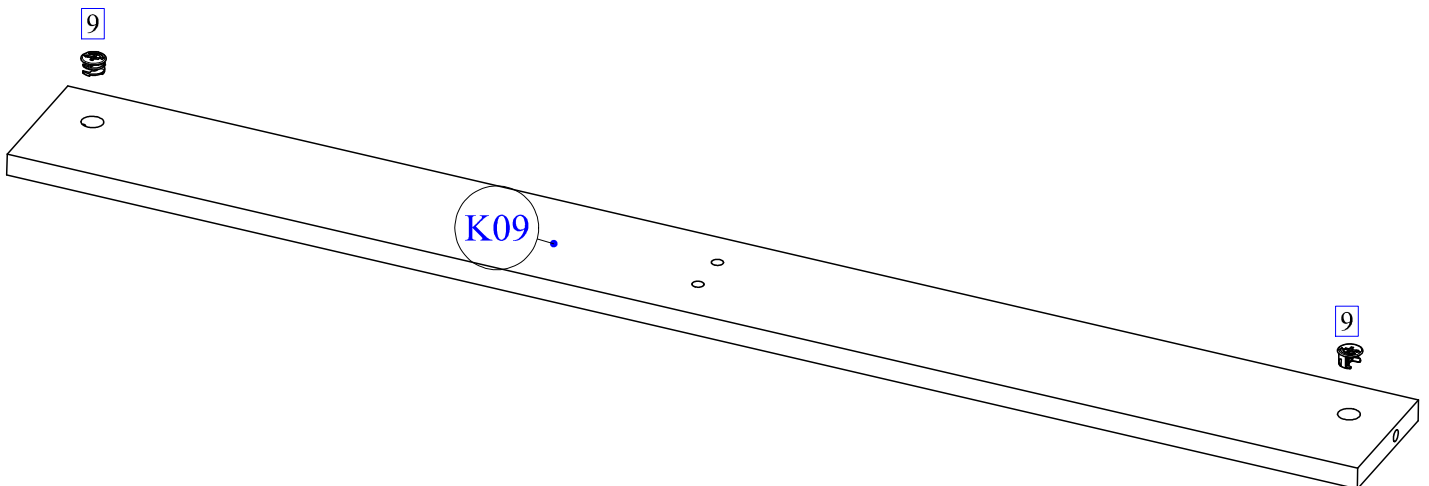
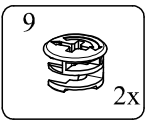


A=B

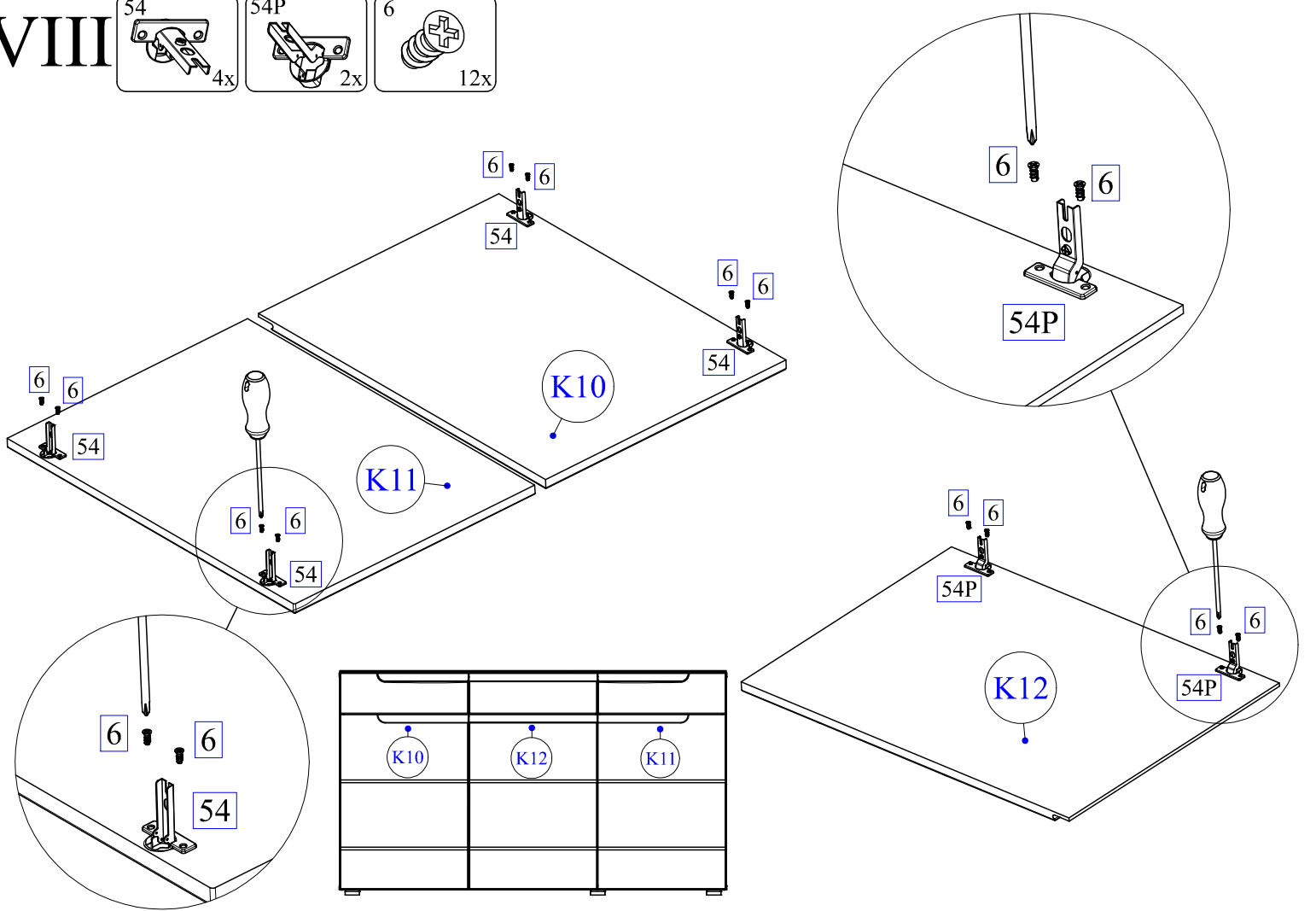
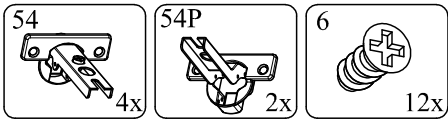
VI-(B)



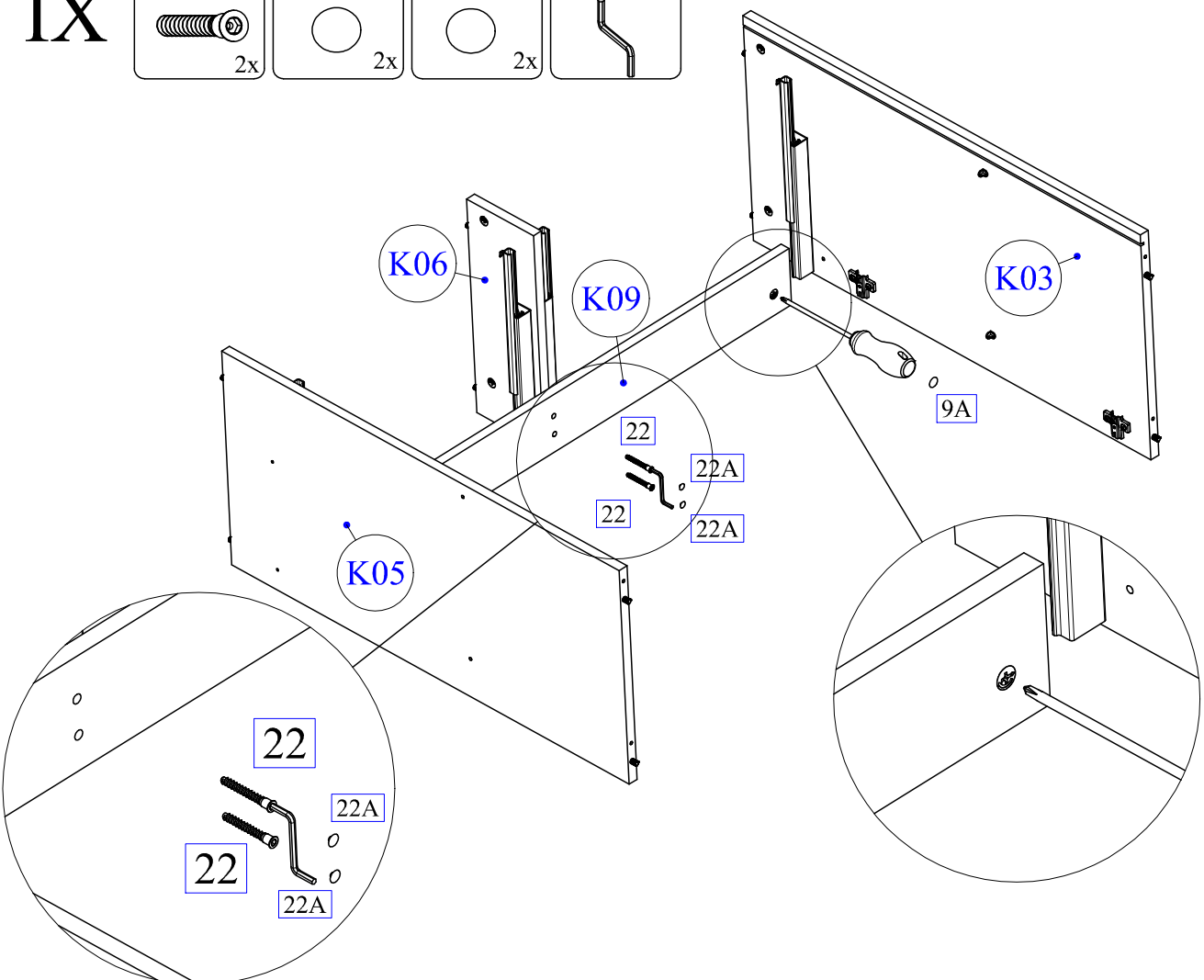
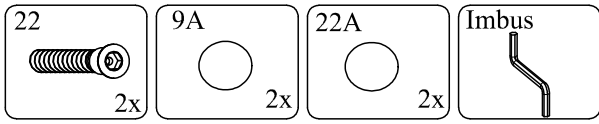
VII



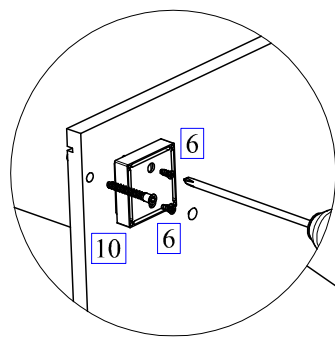
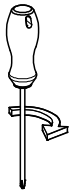
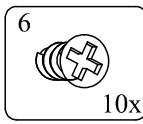
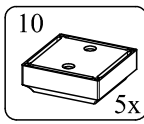
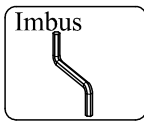
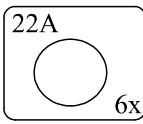
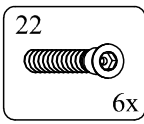
VIII



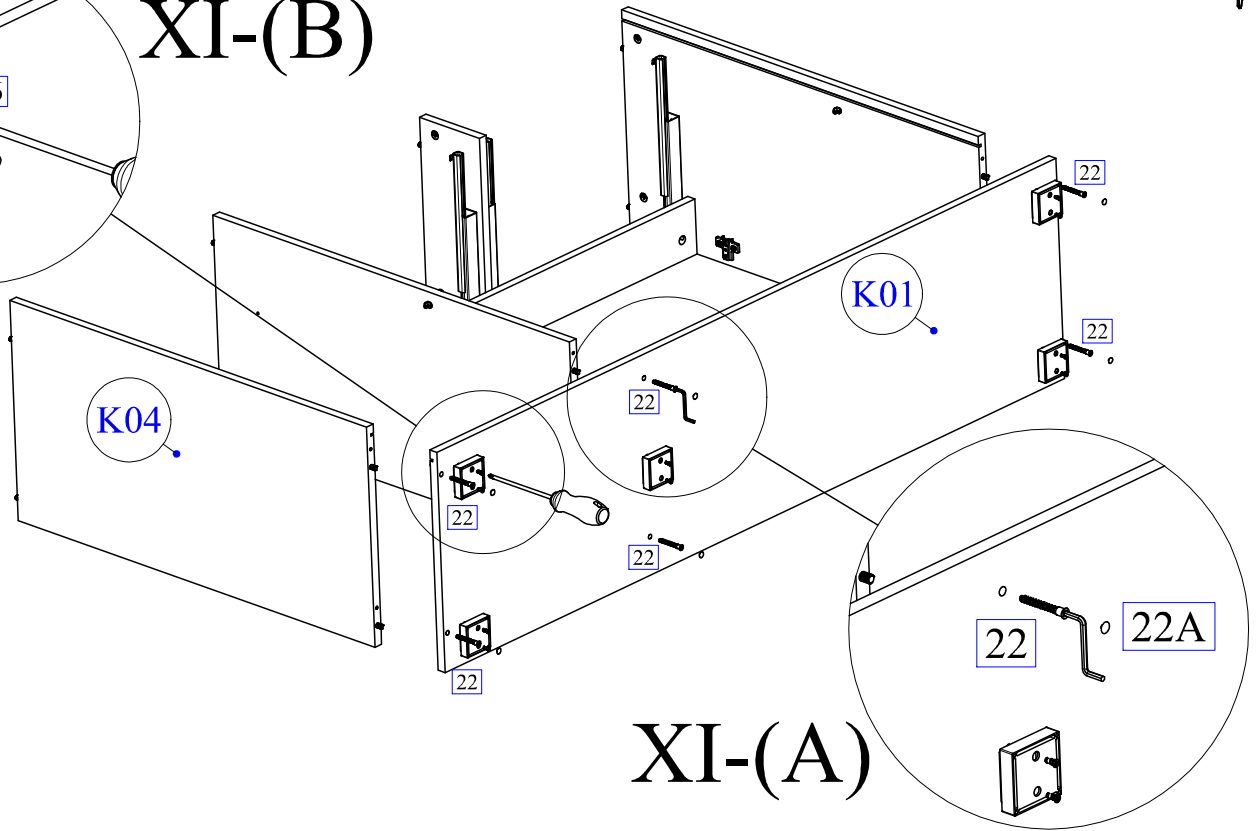
IX



X

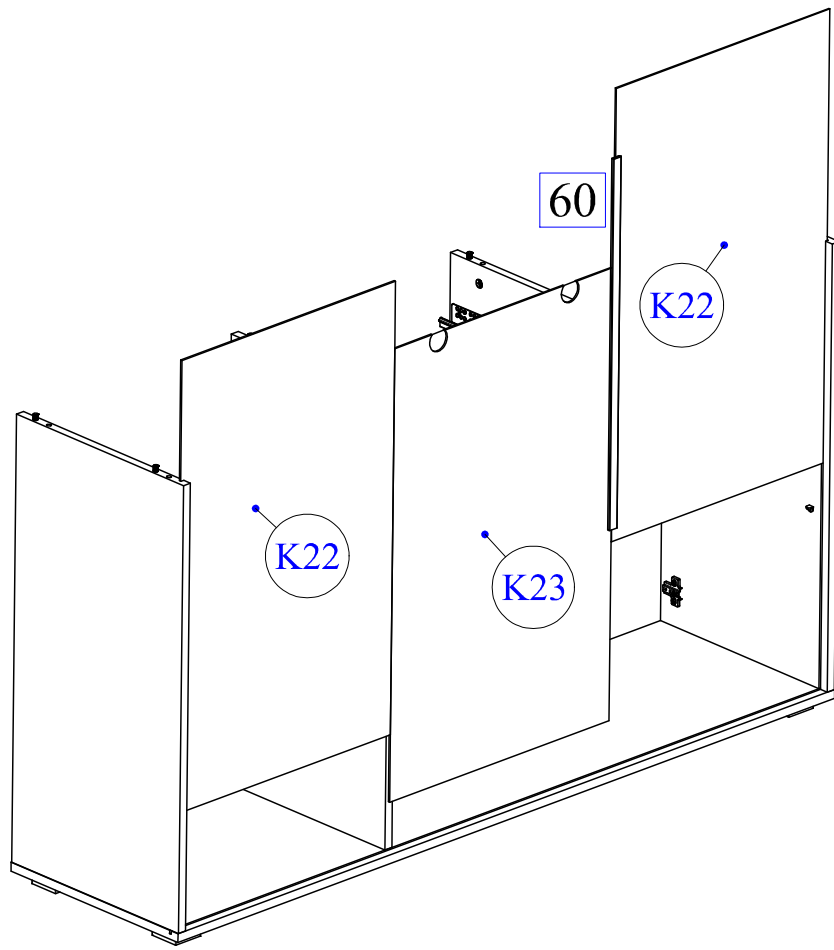
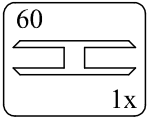


XI-(B)

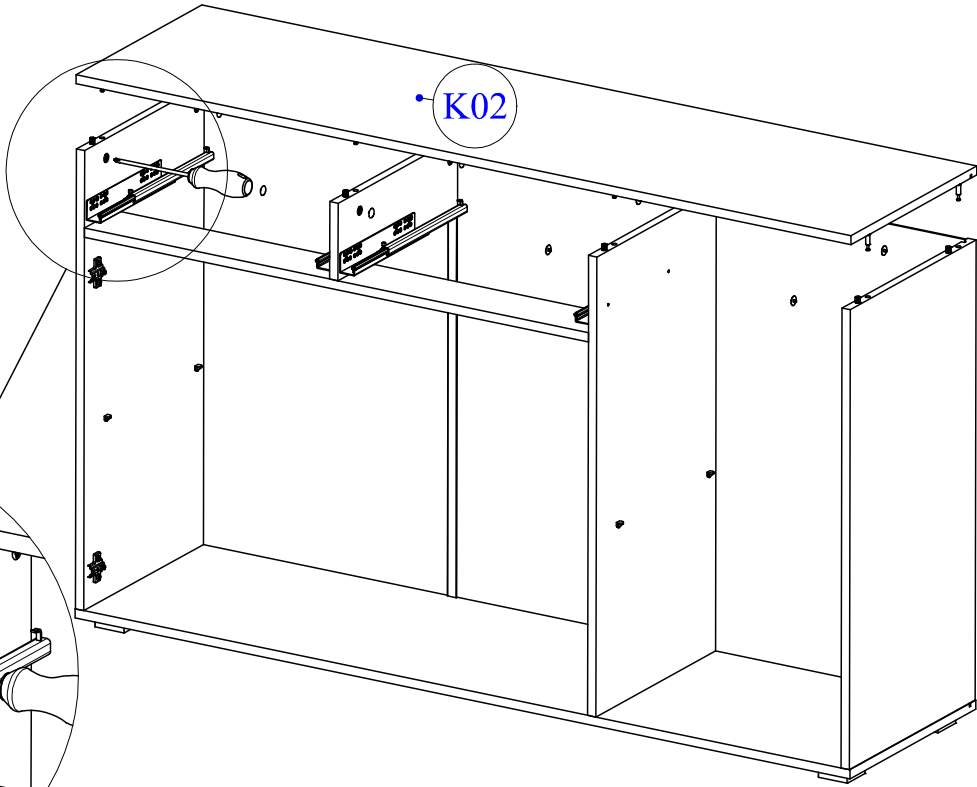
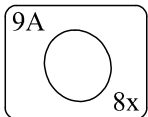


XI-(A)

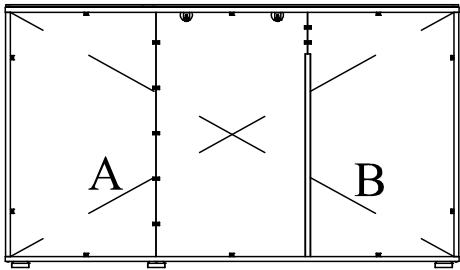
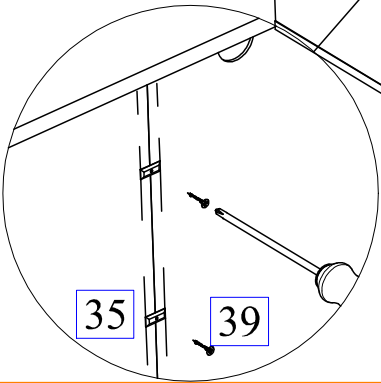
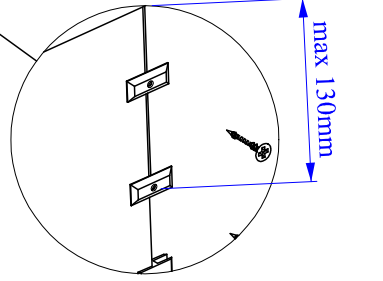
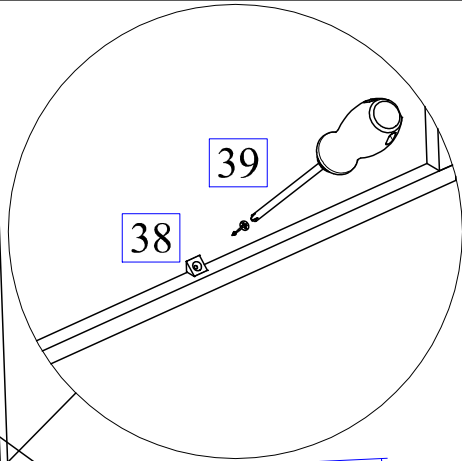
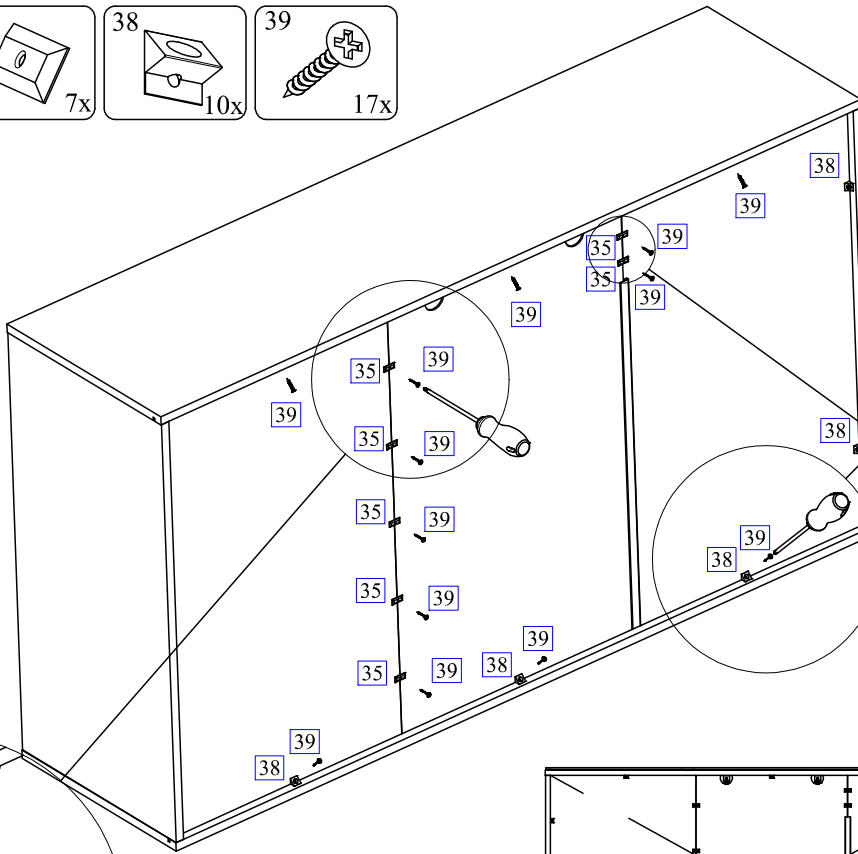
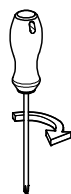
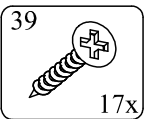
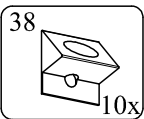
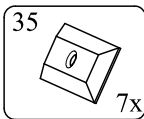
XI



XIII

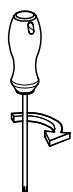
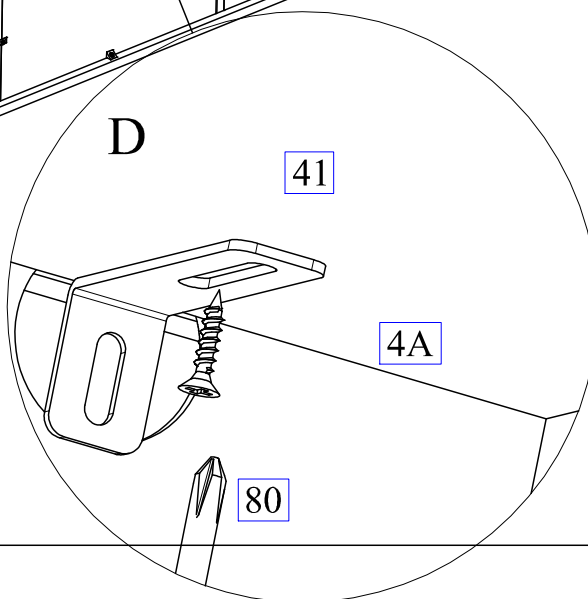
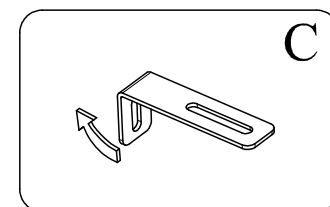
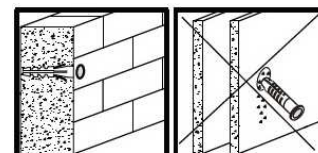
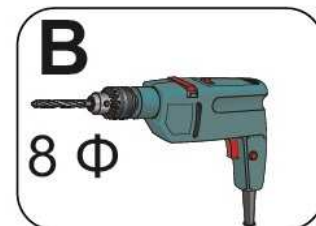
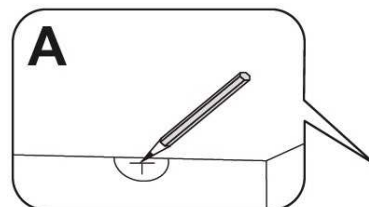
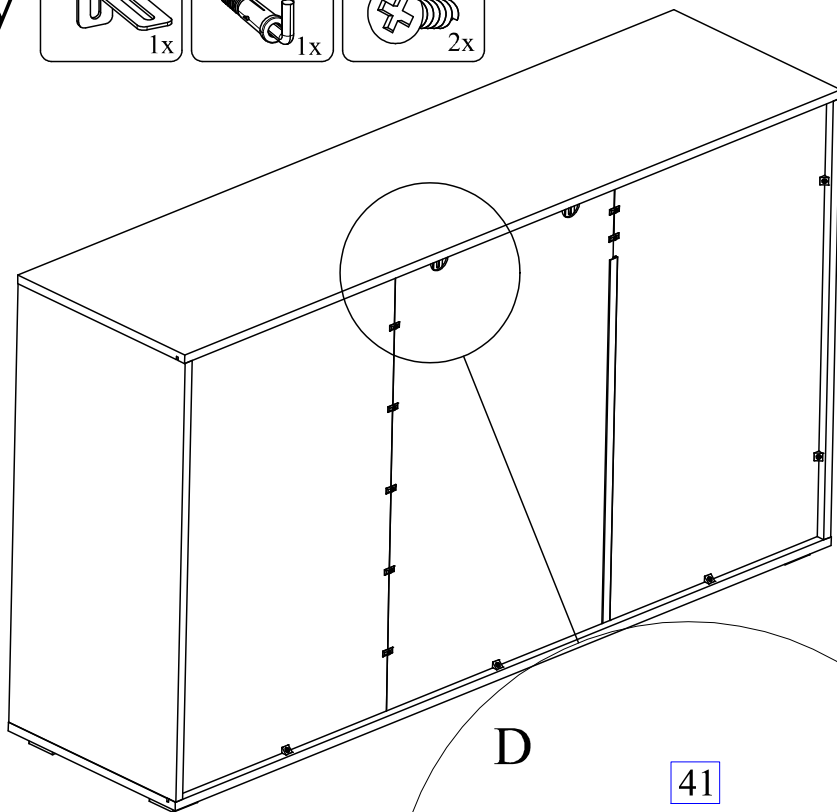
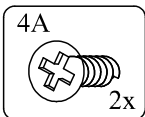
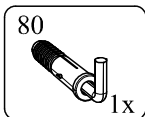
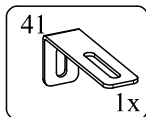


XIV

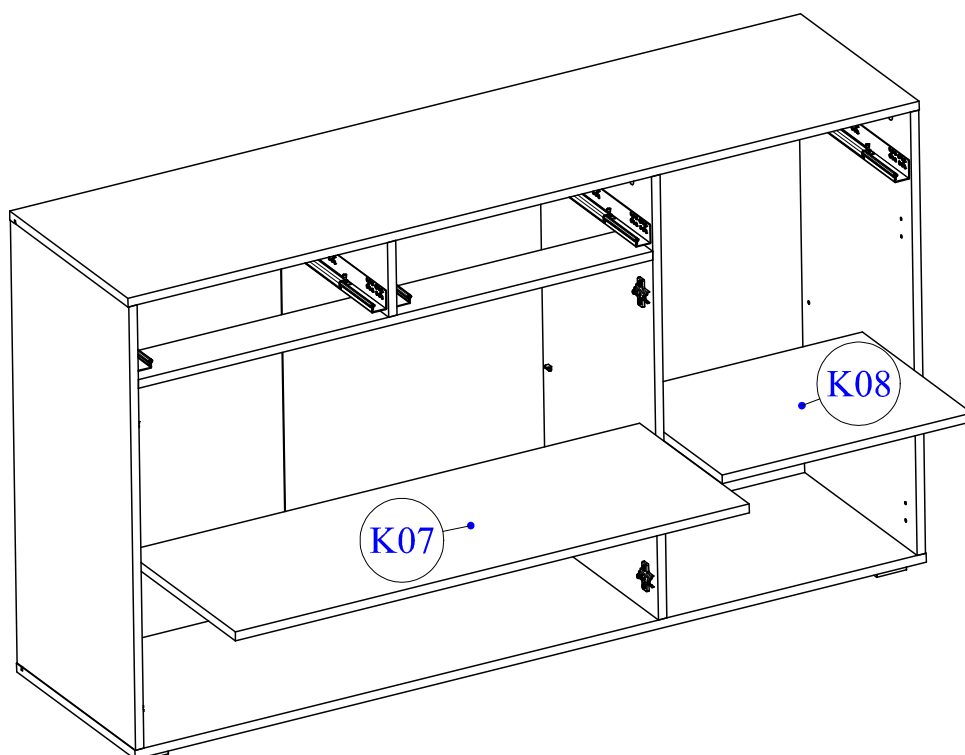


A=B

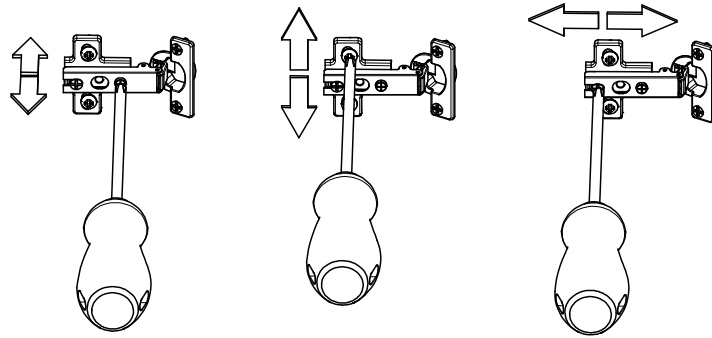
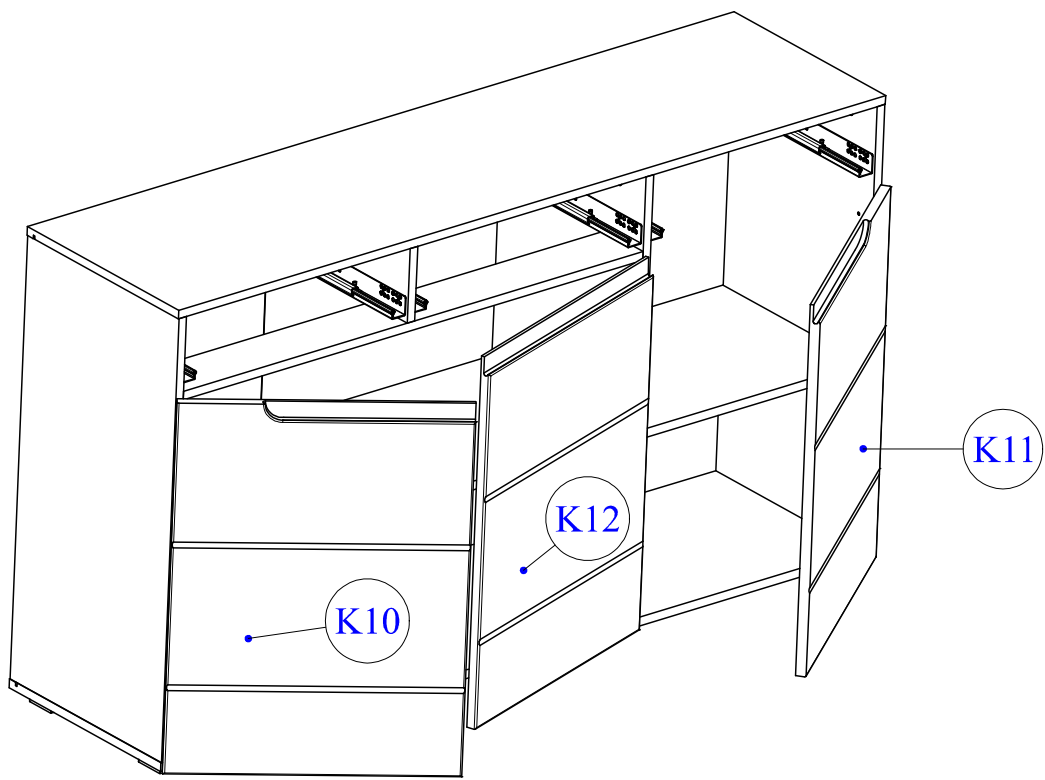
XV



XVI



XVII



XVIII

