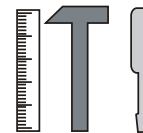
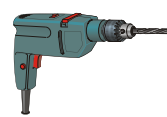
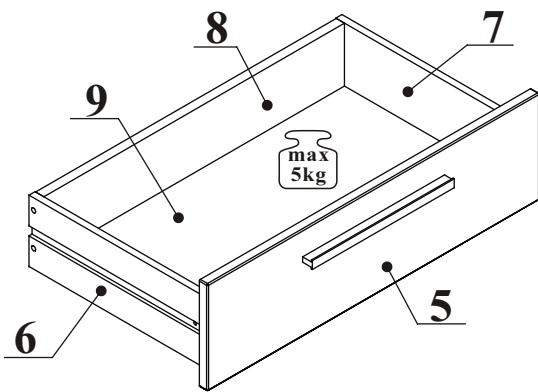
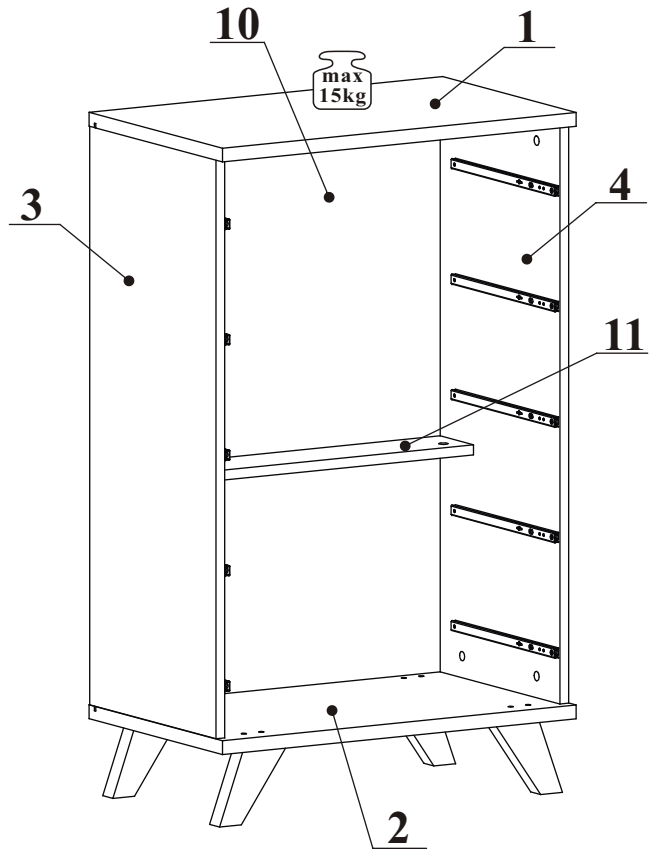
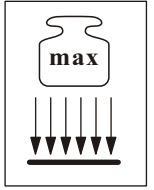
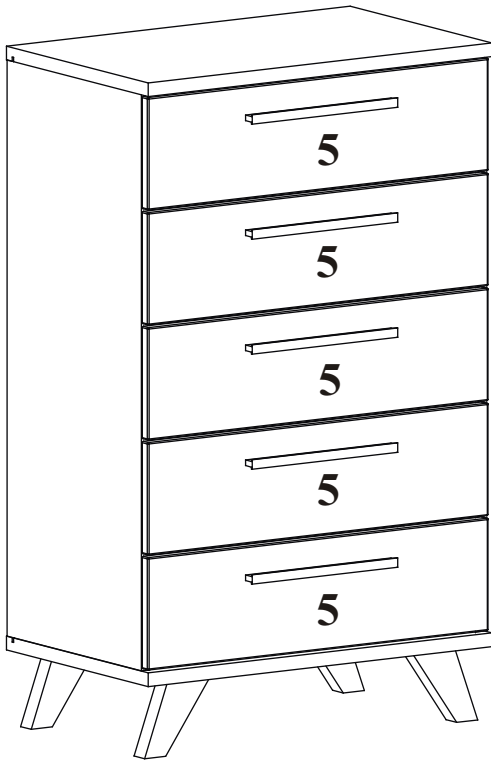


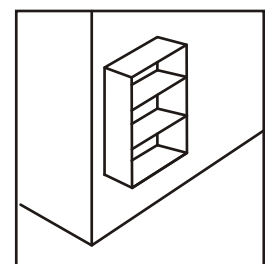
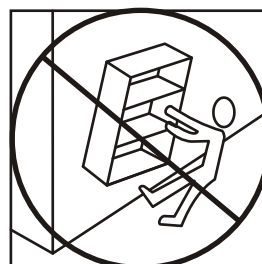
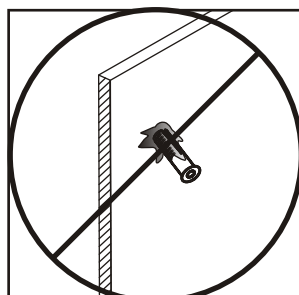
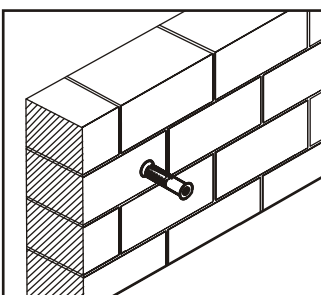
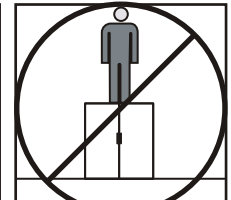
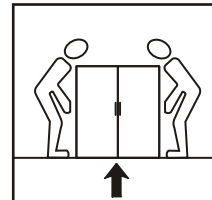
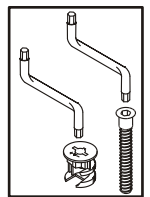
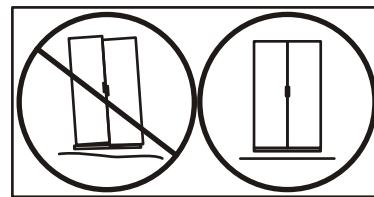
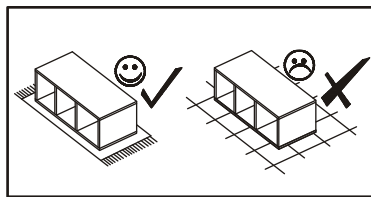
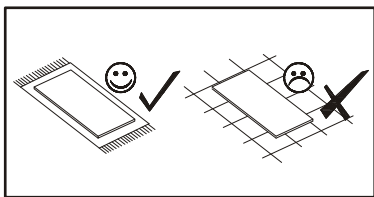
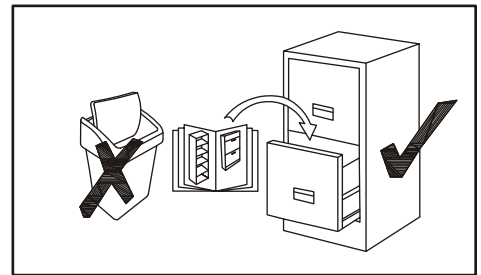
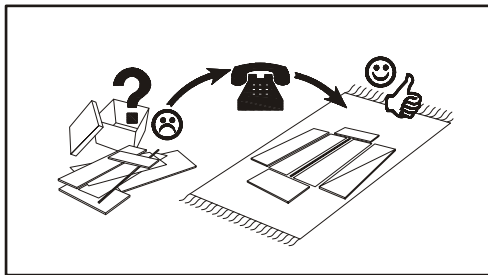
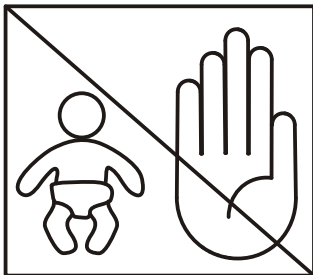
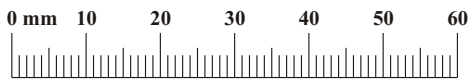
# SOUTH 36-606-\_\_-6



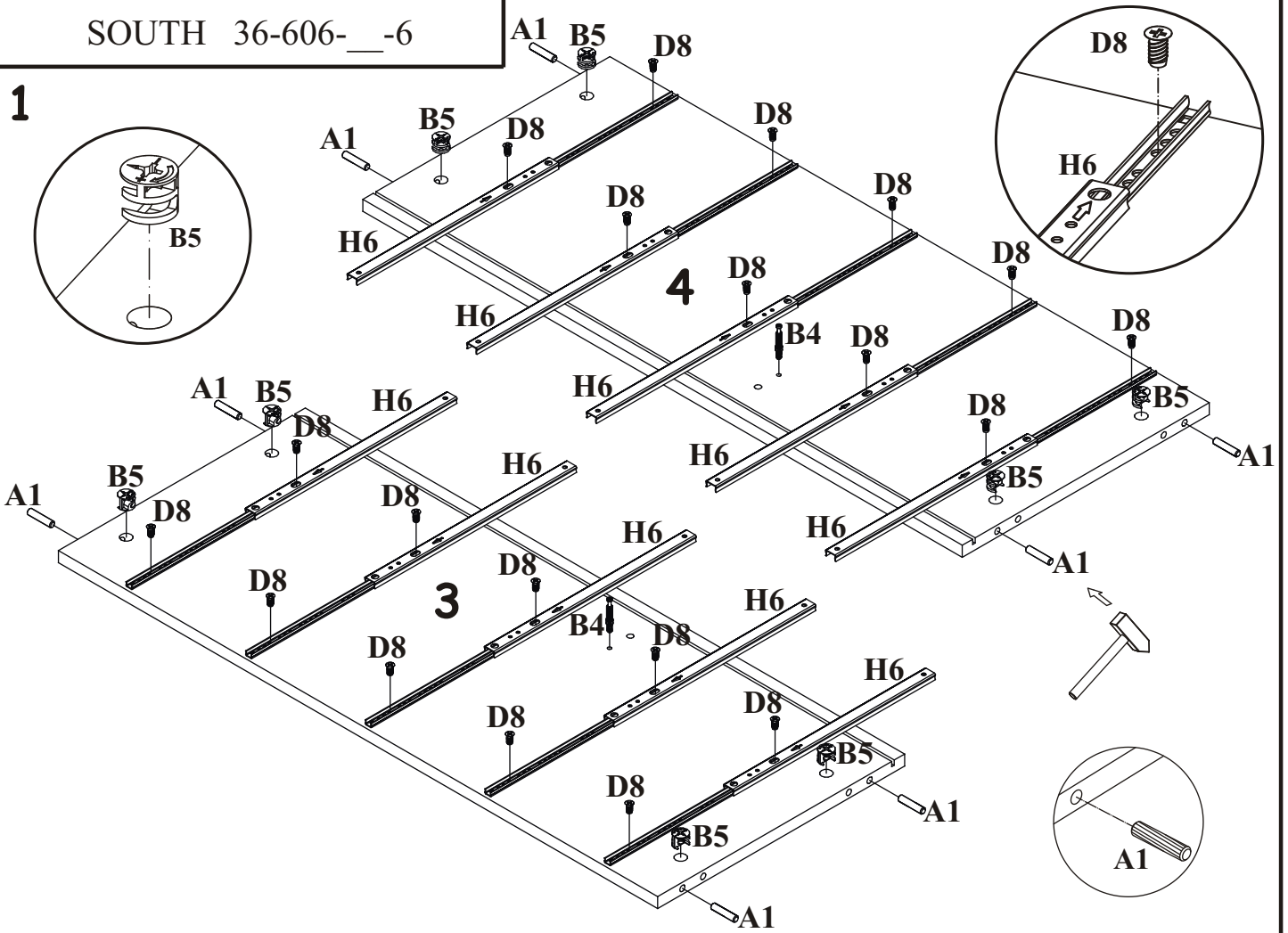
180 min

NO	Dim.		Col.-No	Qty
1	652	400	1	1
2	652	400	1	1
3	919	379	1	1
4	919	379	1	1
5	646	180	1	5
6	350	120	1	5
7	350	120	1	5
8	585	106	1	5
9	596	354	1	5
10	930	630	1	1
11	618	100	1	1

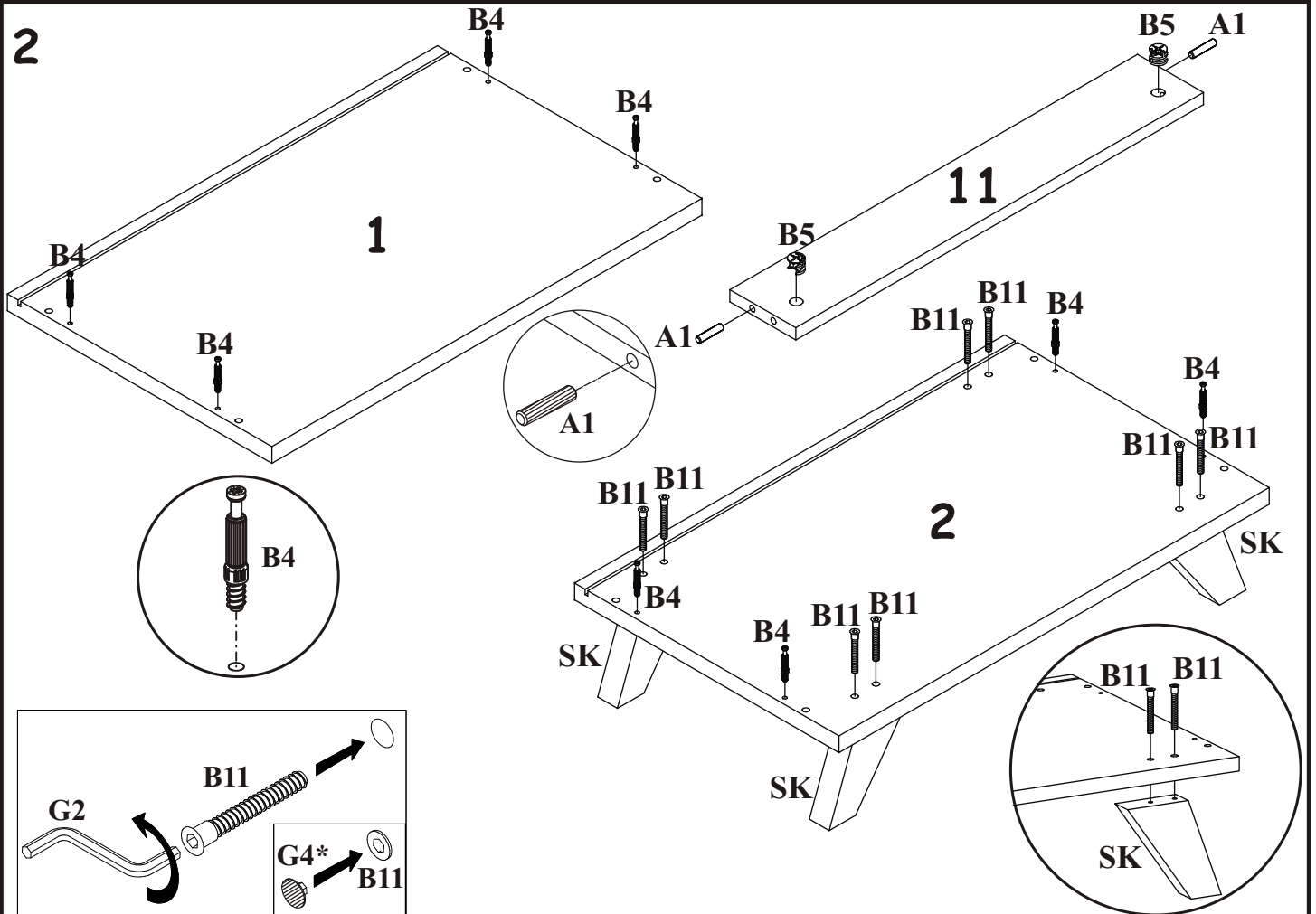
A1 X20 ø8x36	B4 X20	B5 X10 Ø15x12	G5 X10	B7 X10 Ø15x10,3	G8 X10 Ø20
H6 X5 L-342mm	D8 X20 ESØ5x13	D18 X10 M4x9	UP13 X25 UPØ3x16	B11 X28 Ø7x50	G4 X20
TM3 X5 L-256mm	UP6 X15 UPØ4x30	S1 X17	D10 X2 USØ3,5x13	SK X4 H=120	G4* X8
L1 X1	KR1 X1	G2 X1			



1

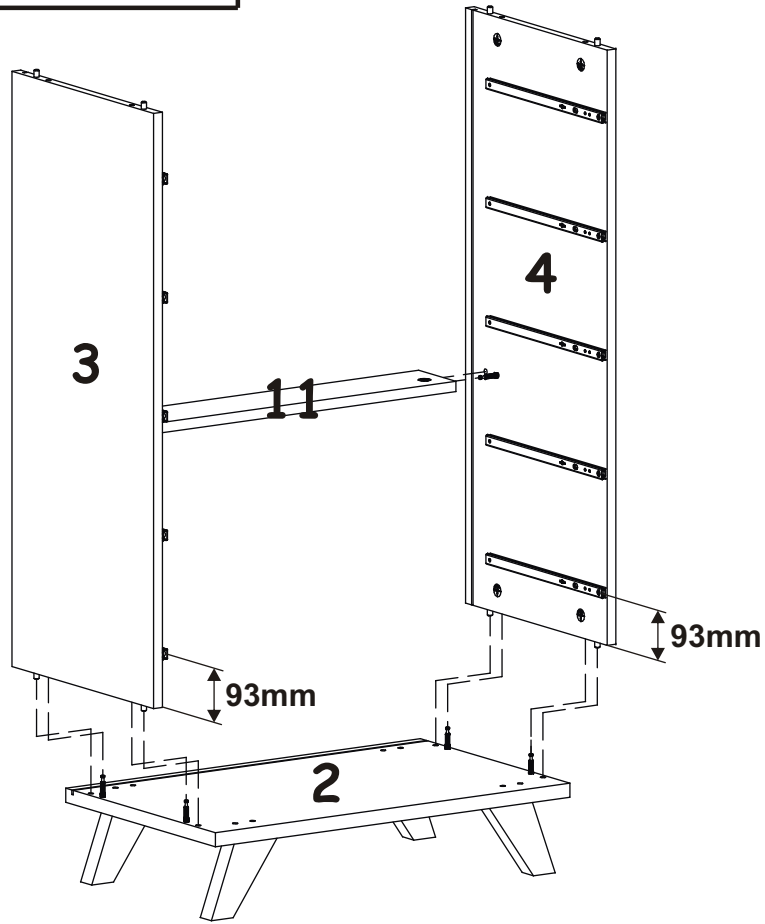


2

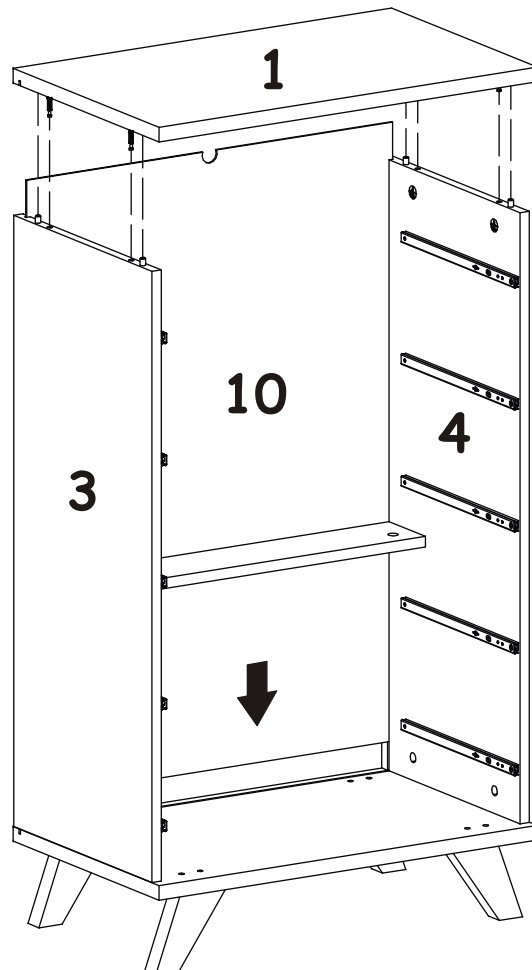




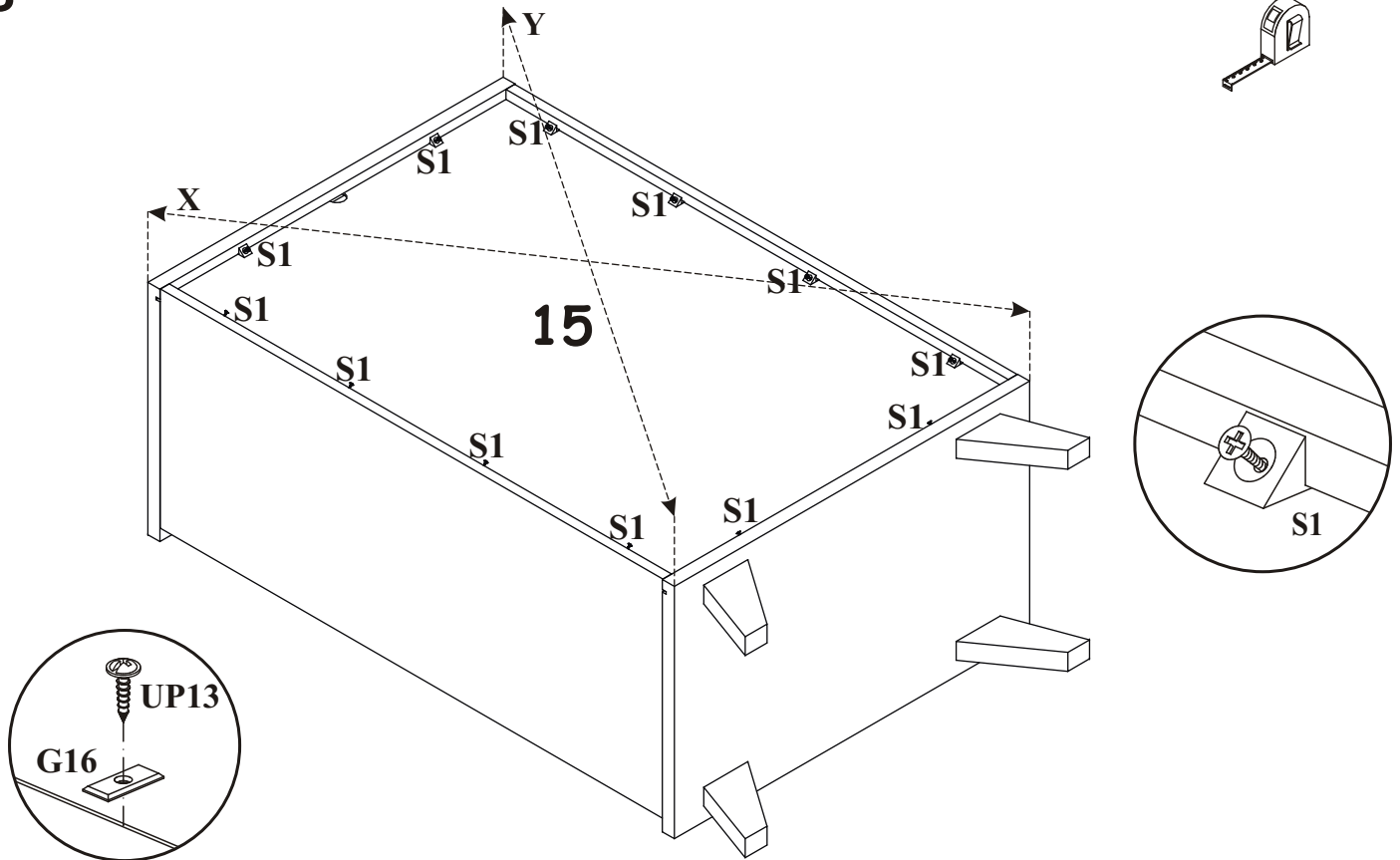
6



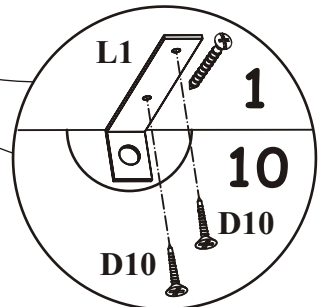
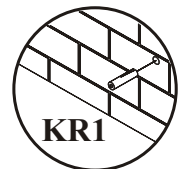
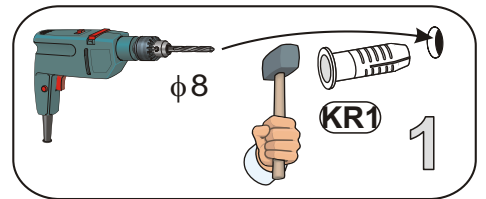
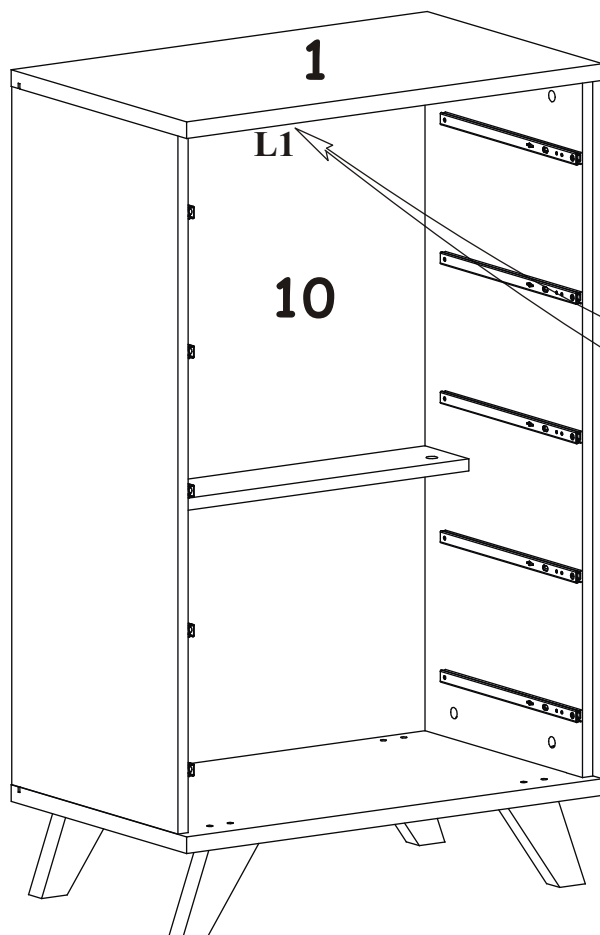
7



8



9



10

