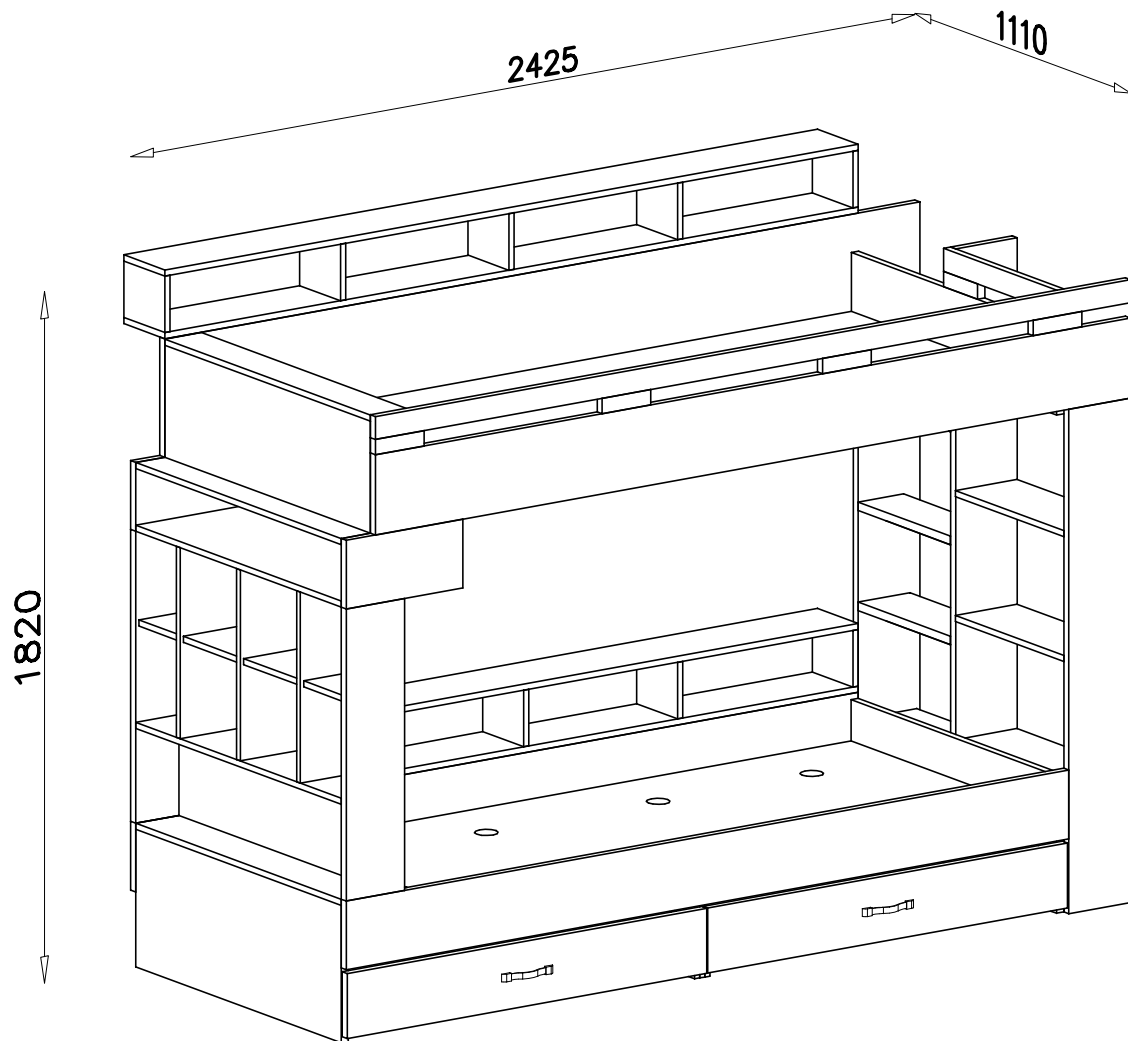

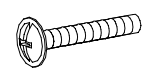

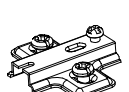
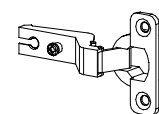



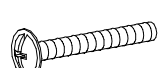
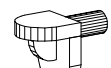
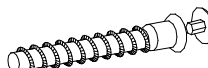

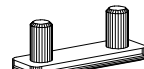

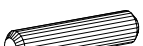




system  
**KOMI**

**KM 14**



			S  x4	R  M4 x 22 x1
U  x1	C  x2	D  x2	T  x14	K  3 x 20 x90
E  x8	J  M4 x 30 x4	P  x1	A  x56	F  4 x 16 x20
G  x12	L  x2	B  x365	Y  KLEJ x2	Z  x1