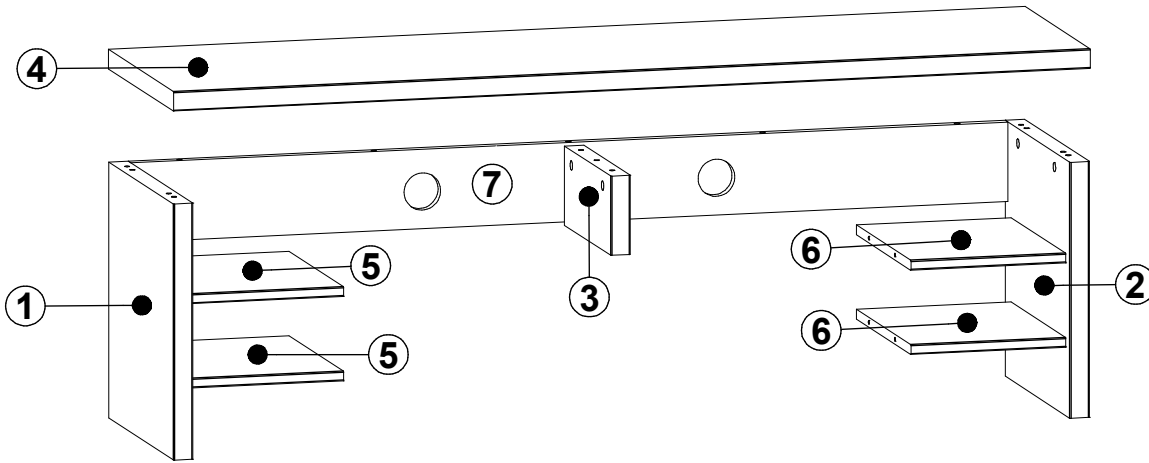
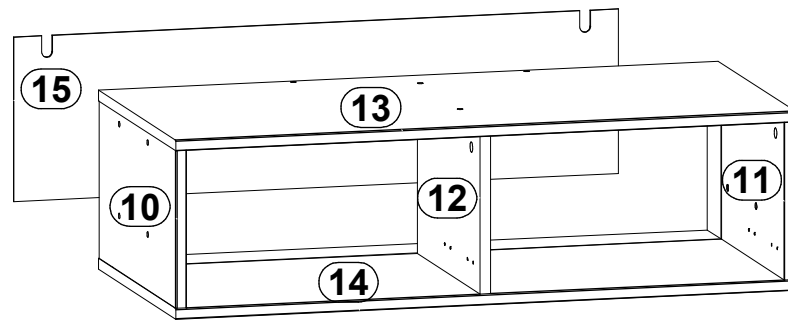


18x Ø7x50 mm e1	16x Ø6x13 mm e3	29x Ø8x30 mm f1	8x Ø6.5x40 mm f25	4x k1	1x k53	4x k55	10x l2	8x Ø4x35 mm p6	1x Ø4x25 mm p36	8x Ø3.5x16 mm p38	4x Ø2.9x16 mm p55	19x Ø15x12 mm #16 r1
6x Ø15x19 mm #28 r9	8x Ø12x10.5 mm #12 r15	33x 20/11 r42	2x s3	12x Ø 20mm s68	2x 300mm w125\L	2x 300mm w125\P	1x z1	2x 38x21x151.5 n14\2	4x Ø3.5x16 mm p38	2x Ø10x50 mm f35	2x Ø5x60 mm p17	



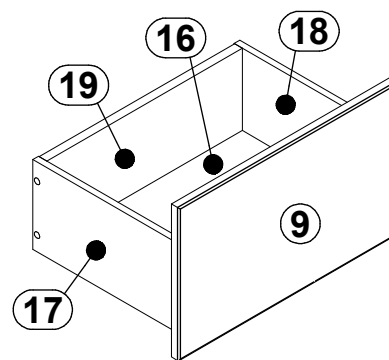
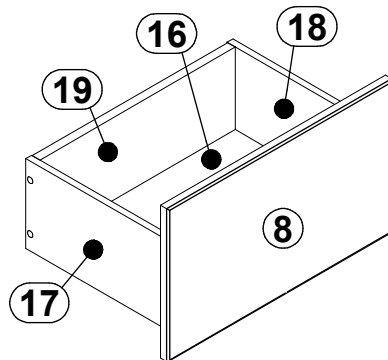
5011--50  
5011--52

A	B	C (mm)		D
1	S279-1004	413	398	1/1
2	S279-1005	413	398	1/1
3	S279-1006	128	285	1/1
4	S279-2003	1509	400	1/1
5	S279-3001	255	336	1/1
6	S279-3002	255	336	1/1
7	S279-4501	1444	128	1/1

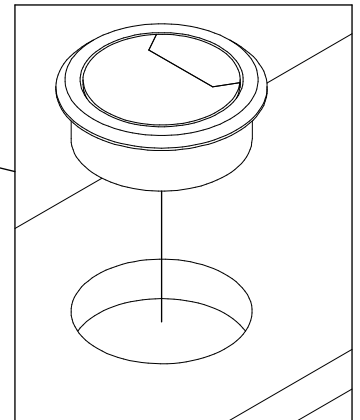
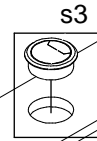
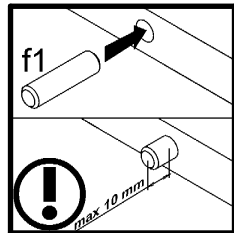
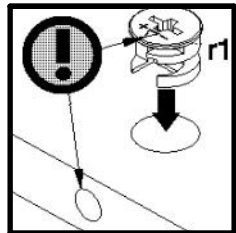
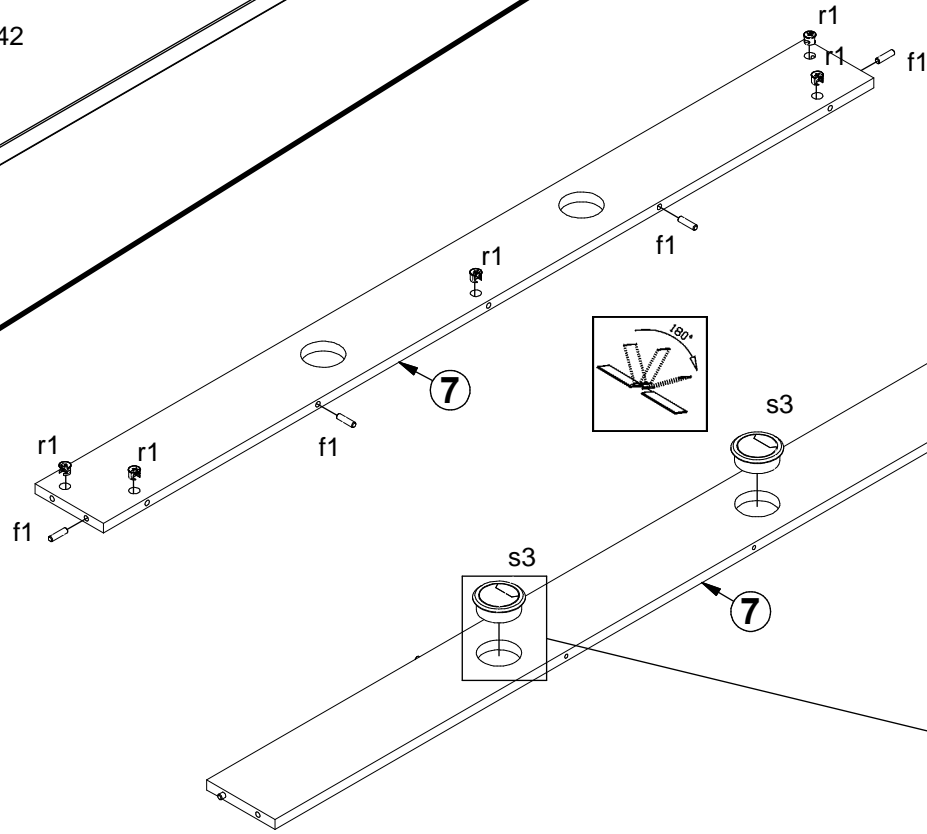
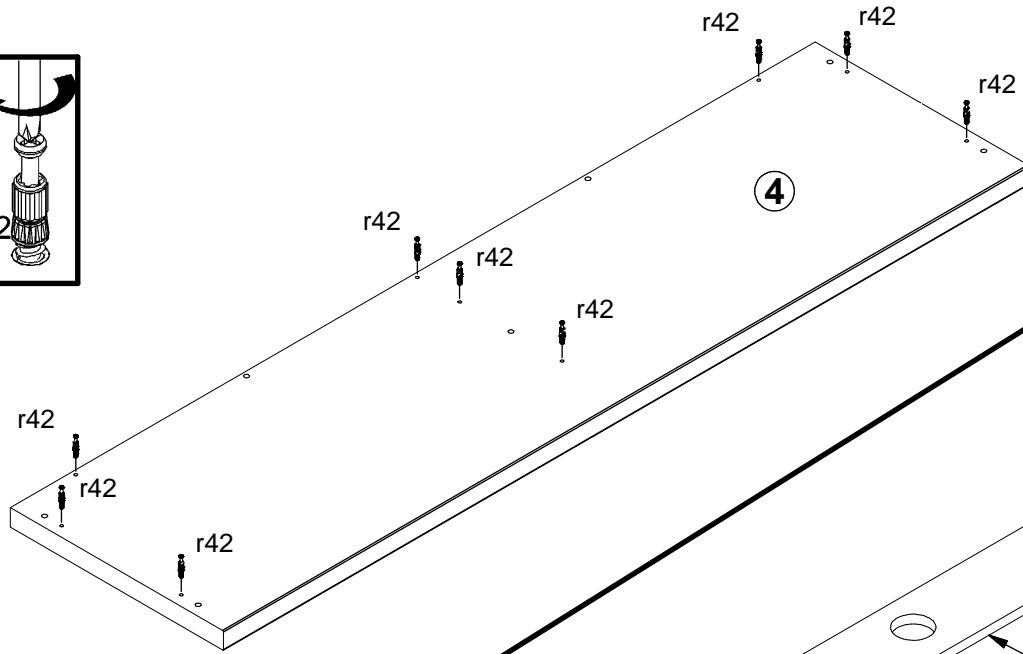
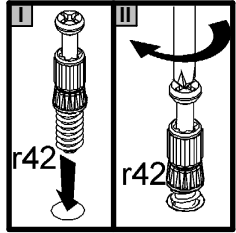
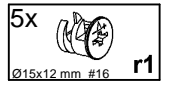
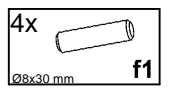
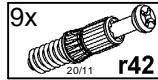


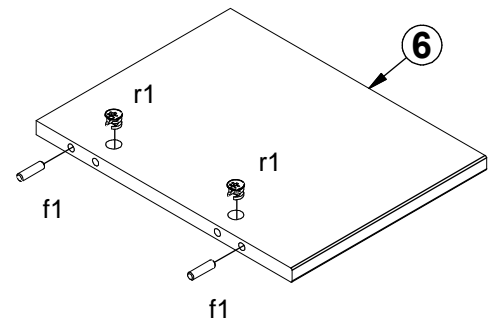
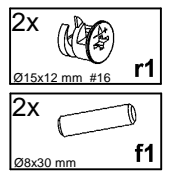
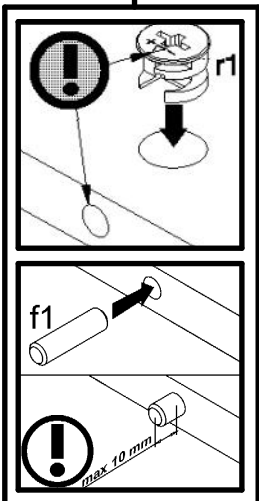
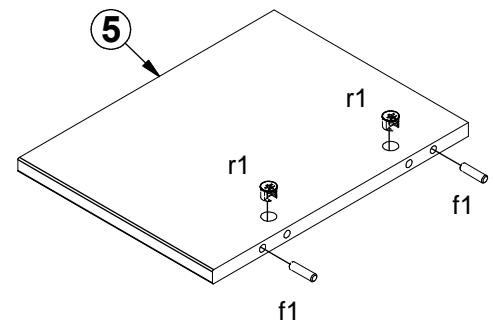
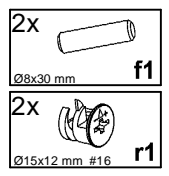
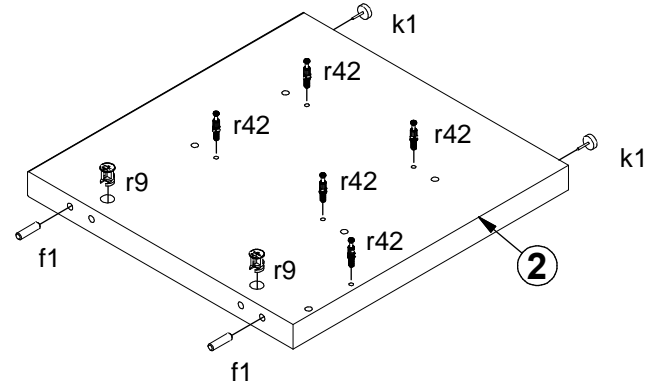
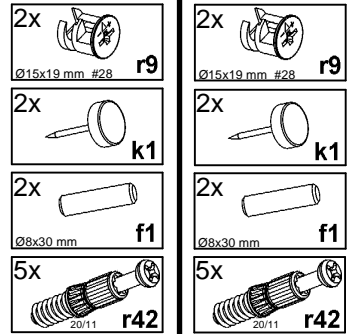
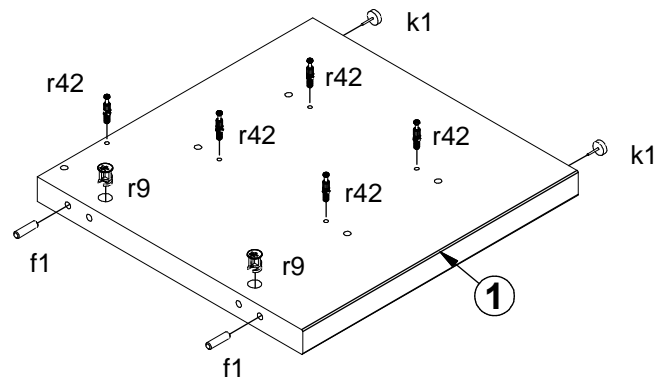
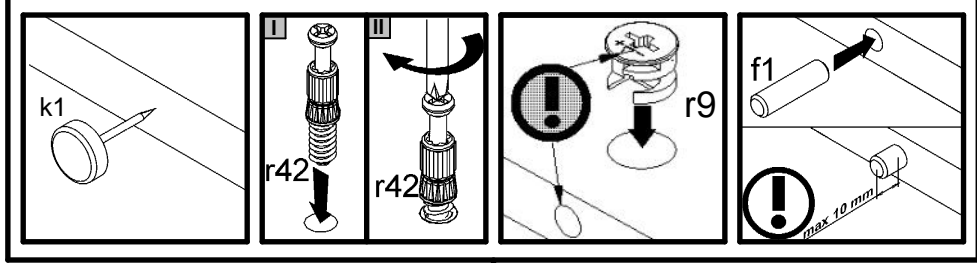
5011--30

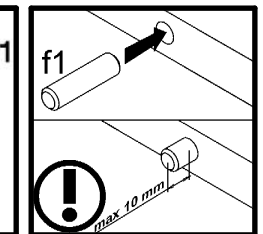
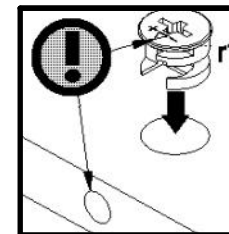
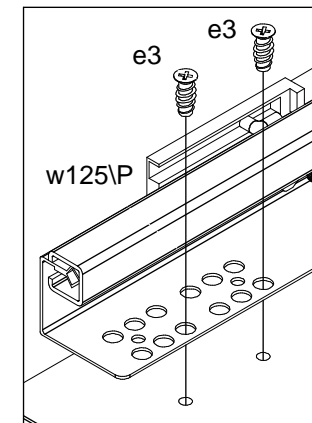
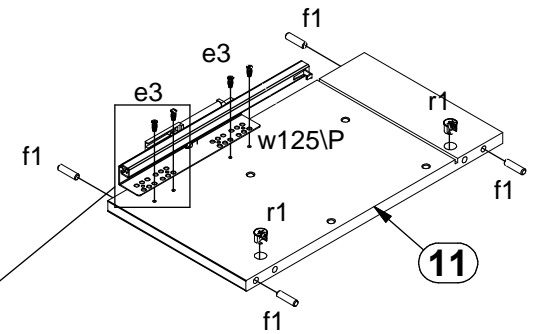
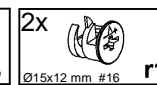
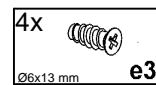
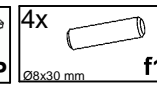
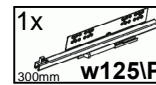
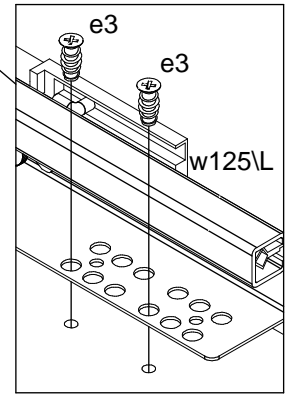
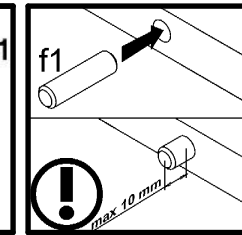
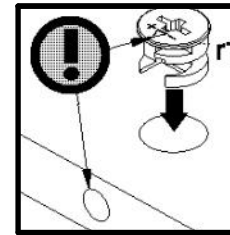
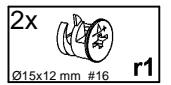
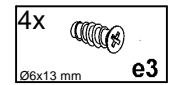
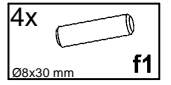
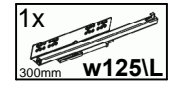
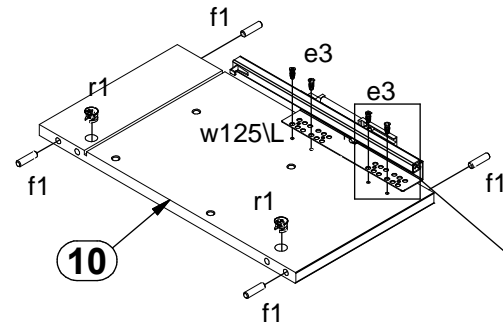
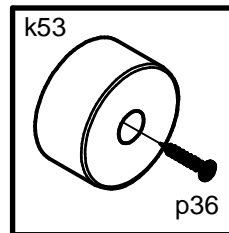
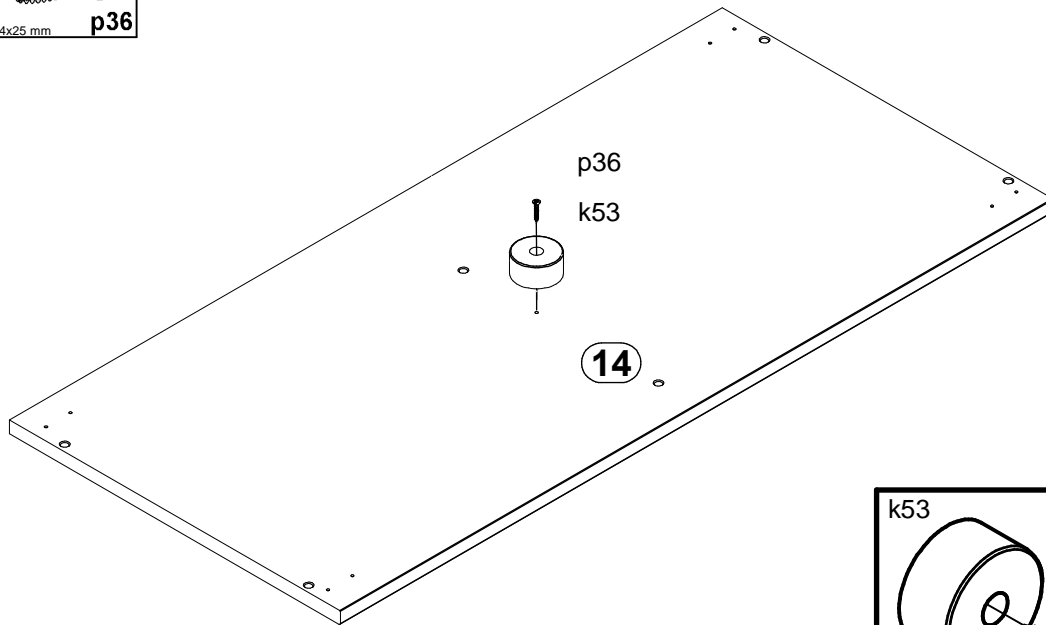
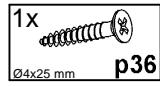
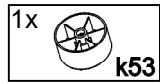
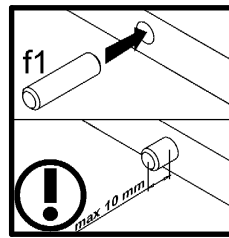
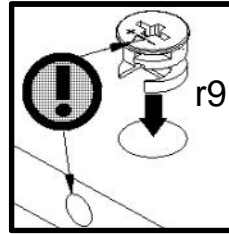
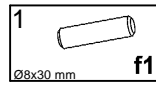
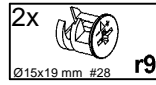
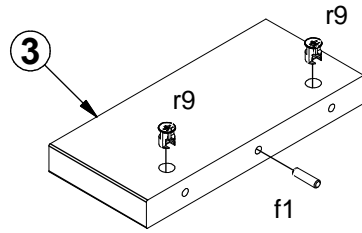
A	B	C (mm)		D
8	S279-0001	273	464	1/1
9	S279-0002	273	464	1/1
10	S279-1001	233	433	1/1
11	S279-1002	233	433	1/1
12	S279-1003	233	353	1/1
13	S279-2001	935	434	1/1
14	S279-2002	935	434	1/1
15	S279-9001	243	912	1/1
16	WSP-9158	857	308	1/1
17	WSQ5-503	300	160	1/1
18	WSQ5-504	300	160	1/1
19	WTQ-5251	847	107	1/1

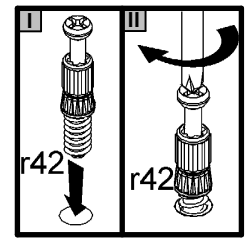
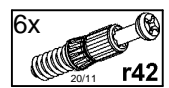
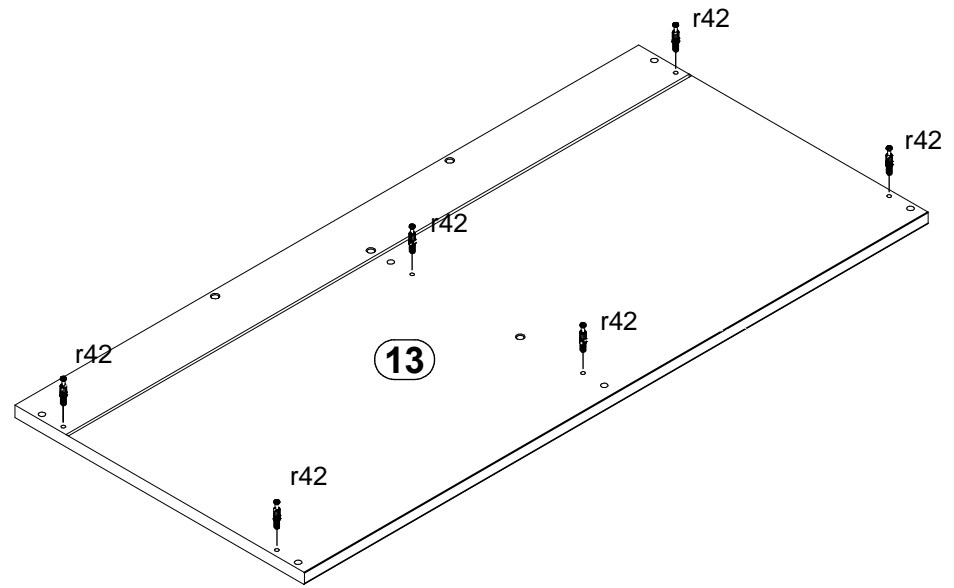
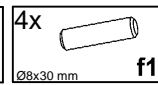
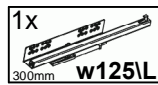
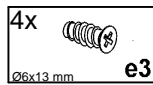
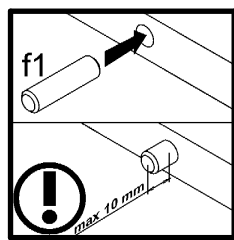
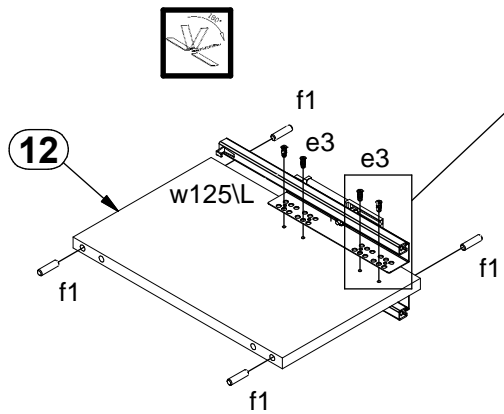
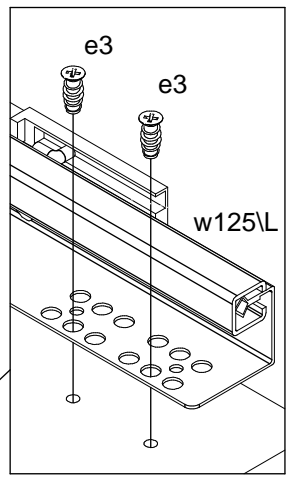
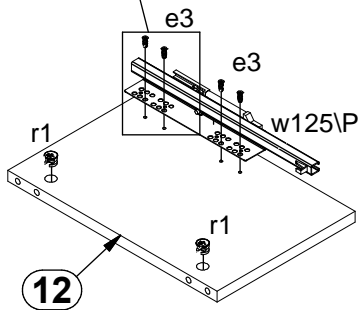
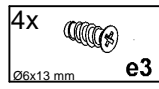
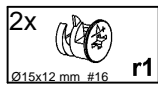
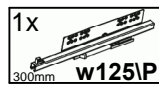
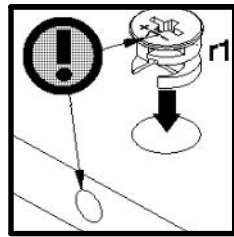
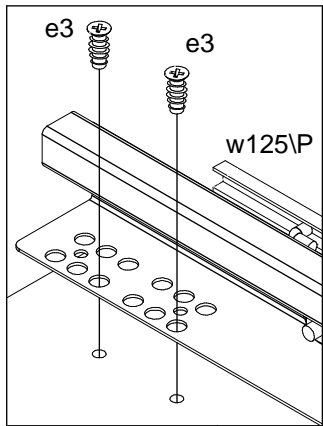


1



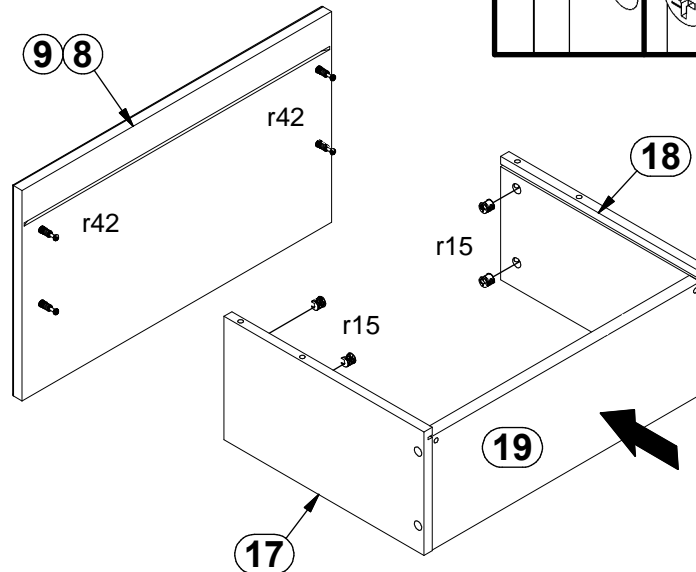
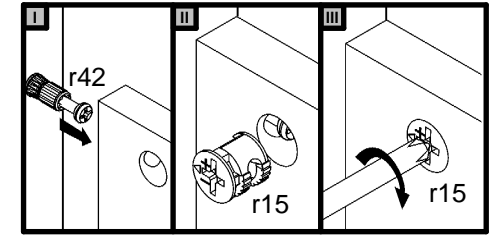
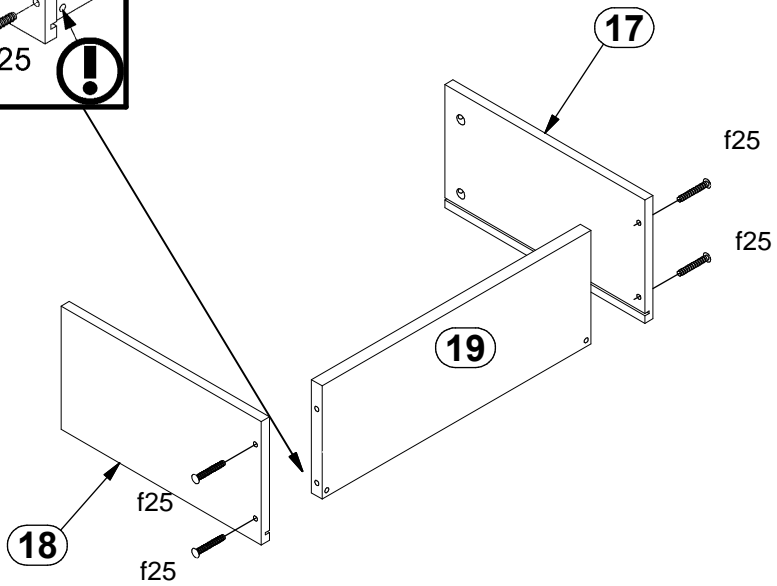
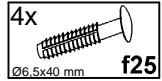
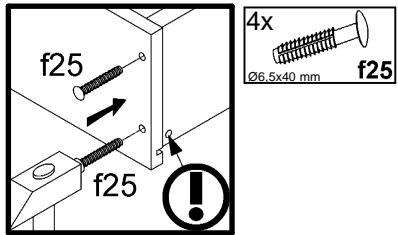
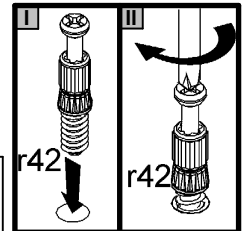
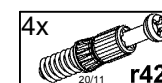
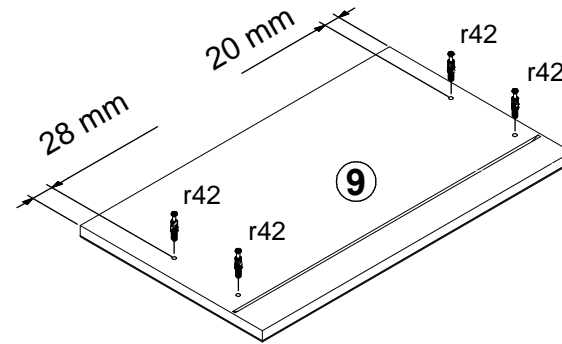
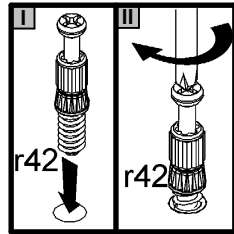
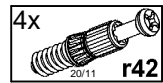
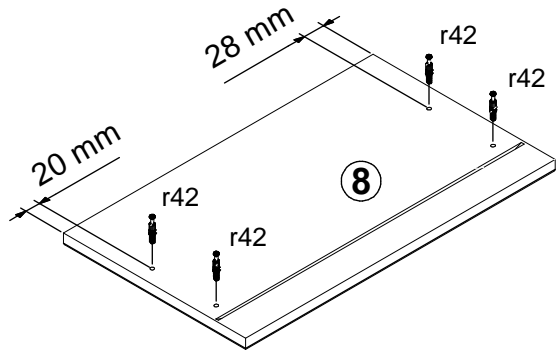




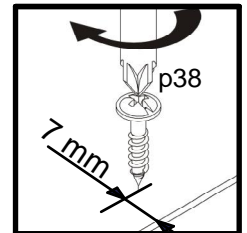
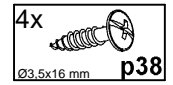
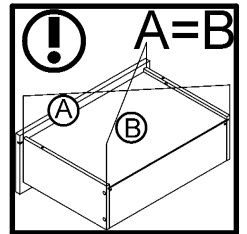
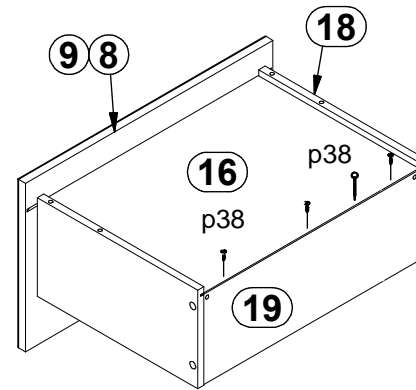
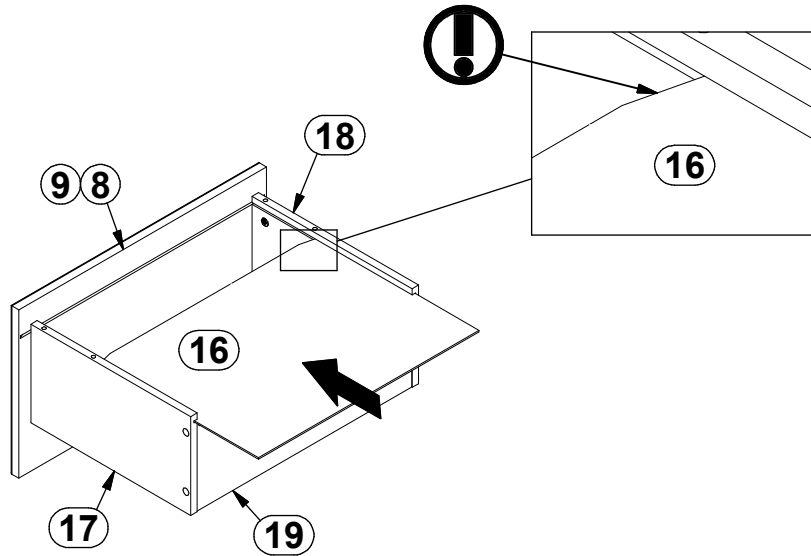


r42

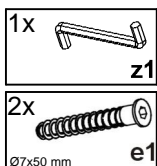
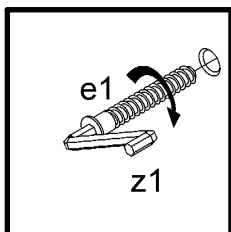
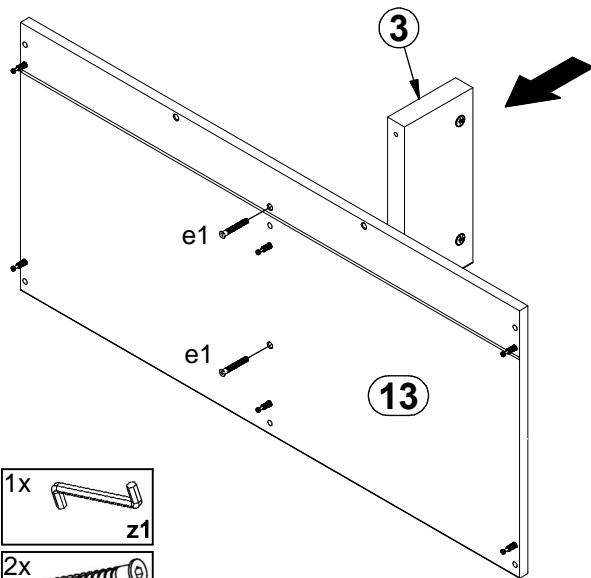
r42



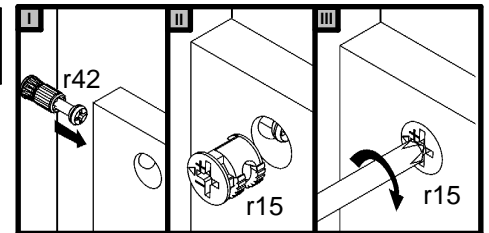
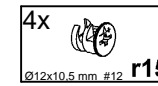
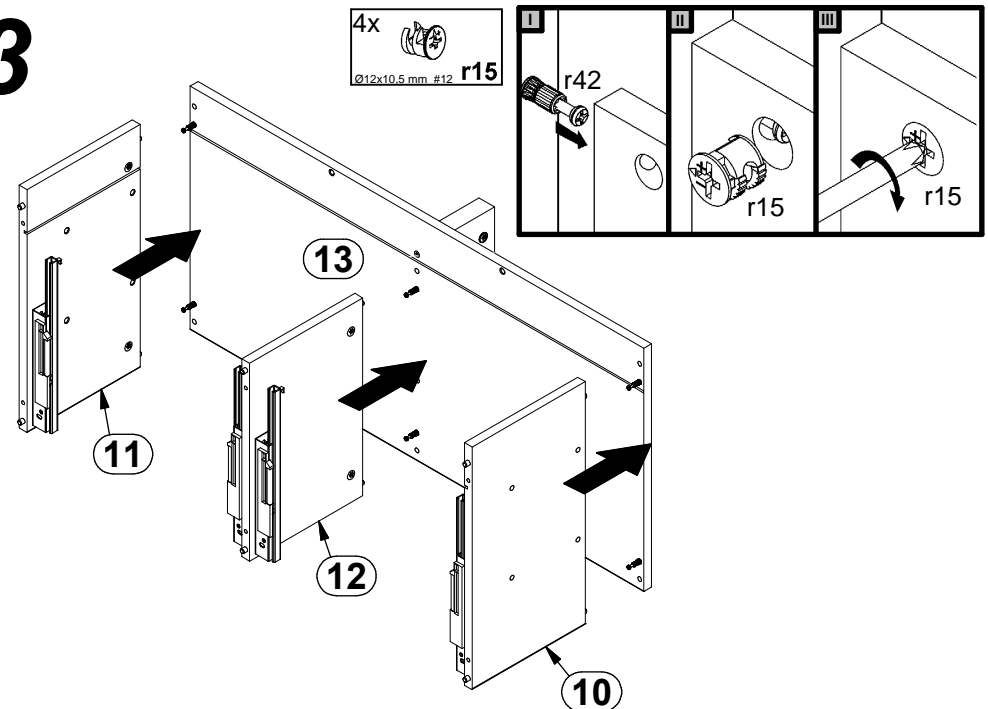




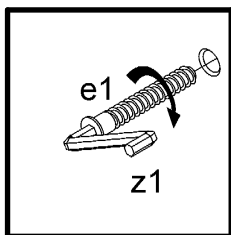
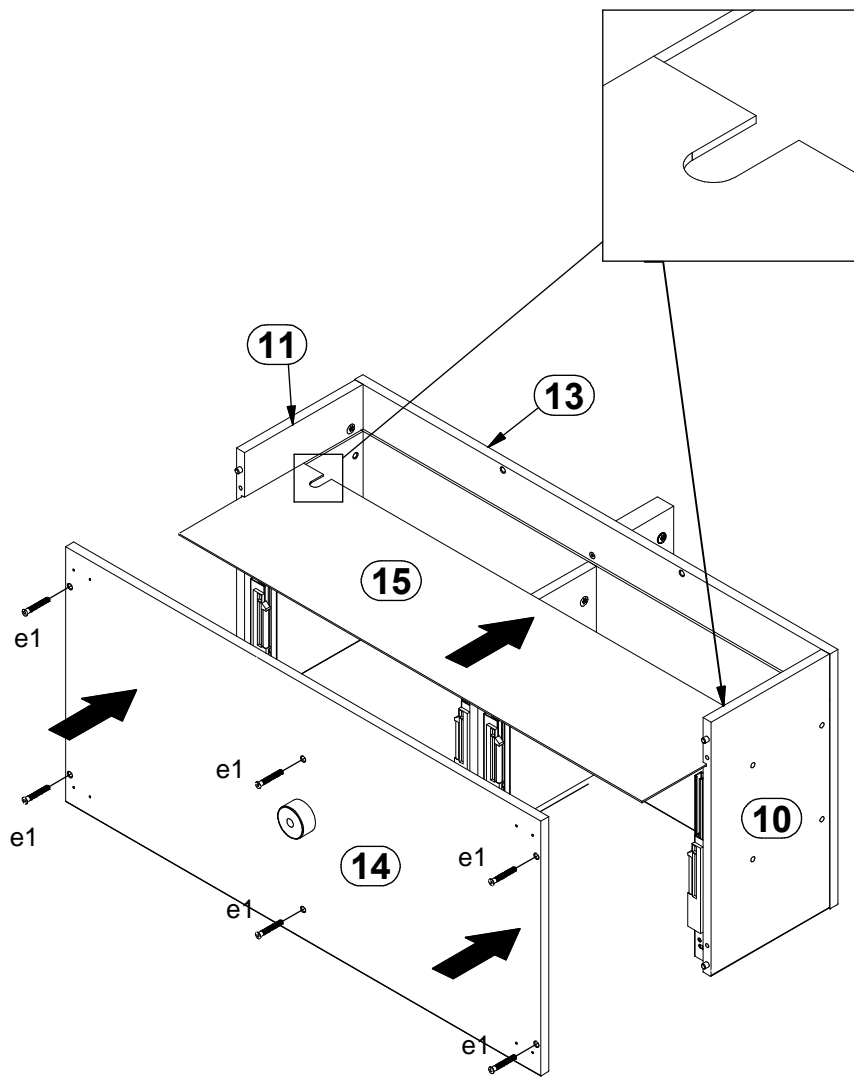
**2**



**3**

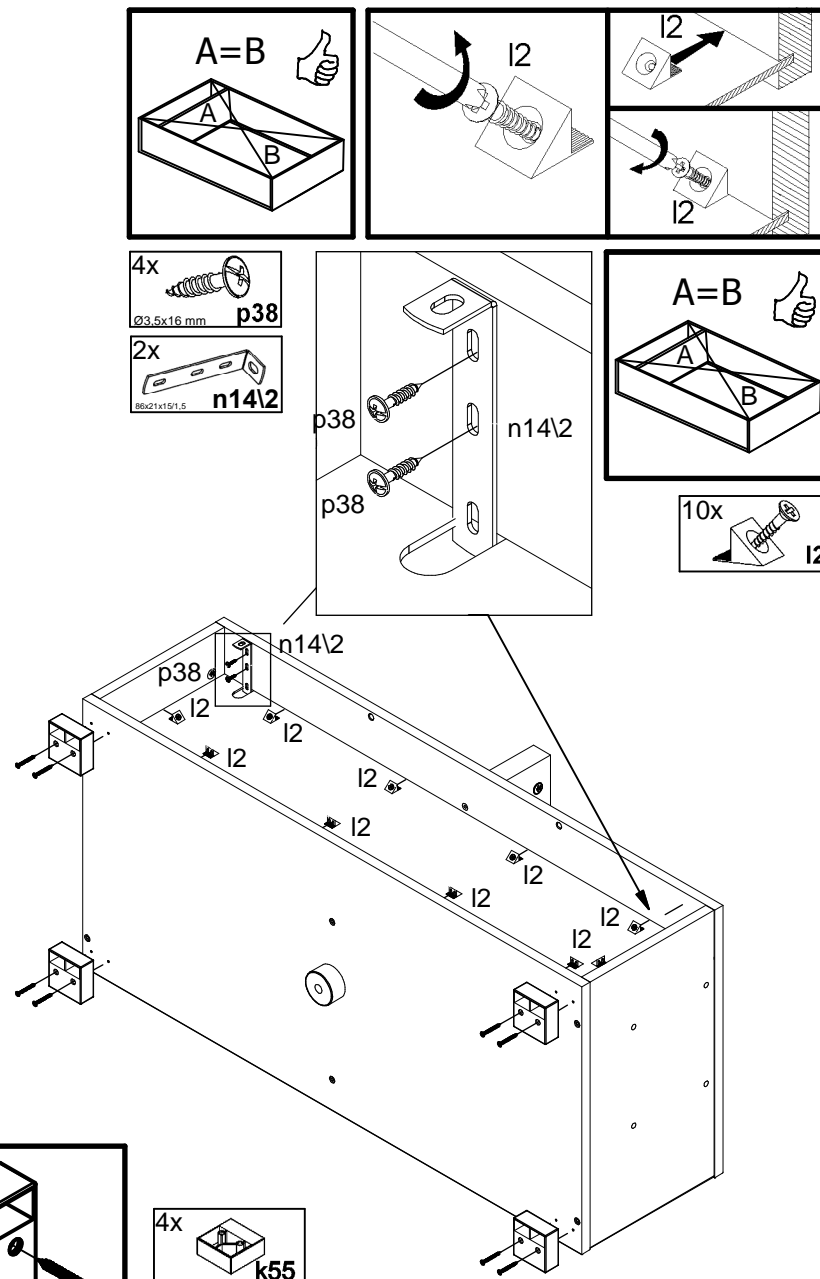


# 4

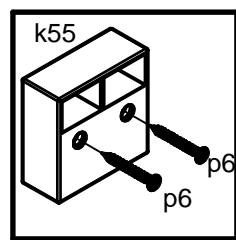


- 1x z1
- 8x e1  
Ø7x50 mm

# 5

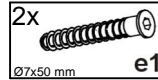
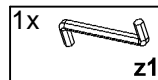
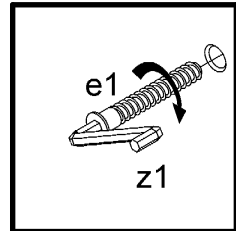
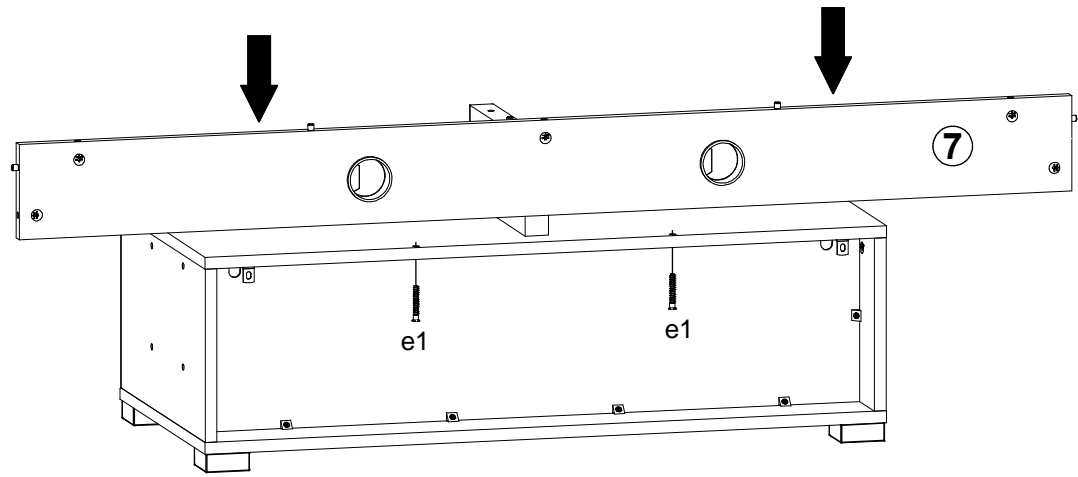


- 4x p38  
Ø3,5x16 mm
- 2x n14\2  
86x21x15/1,5

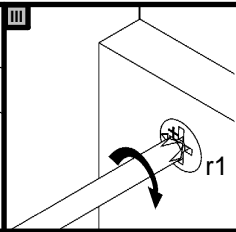
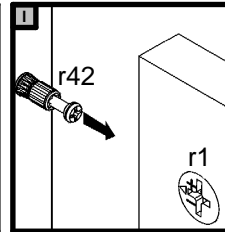
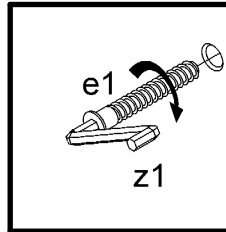
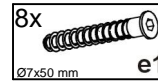
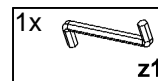
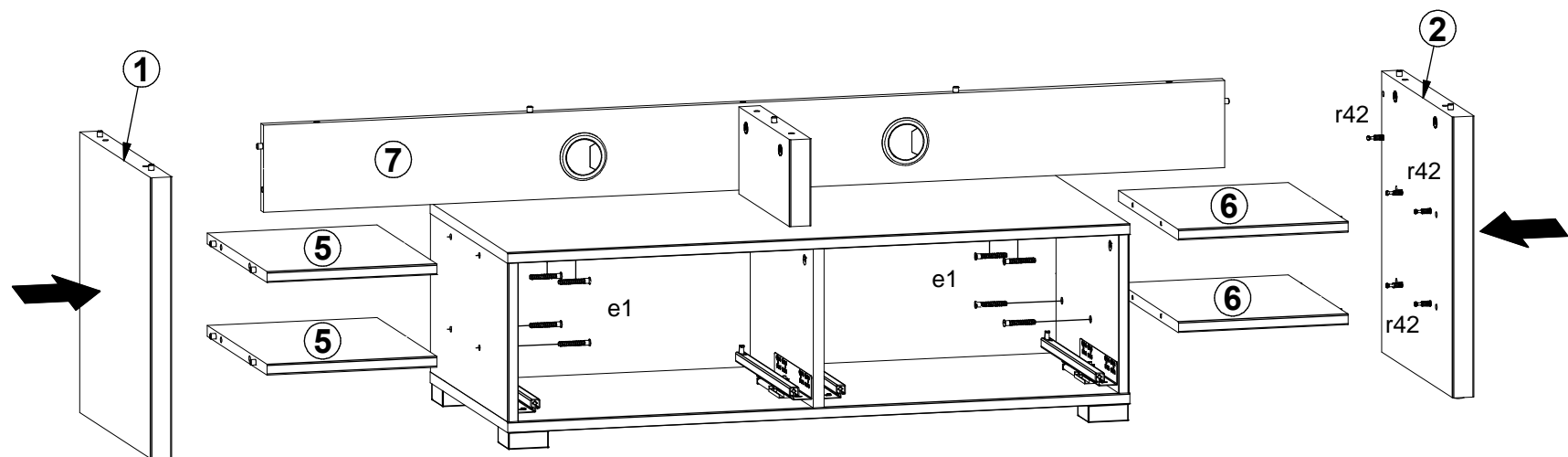


- 4x k55
- 8x p6  
Ø4x35 mm

# 6



# 7



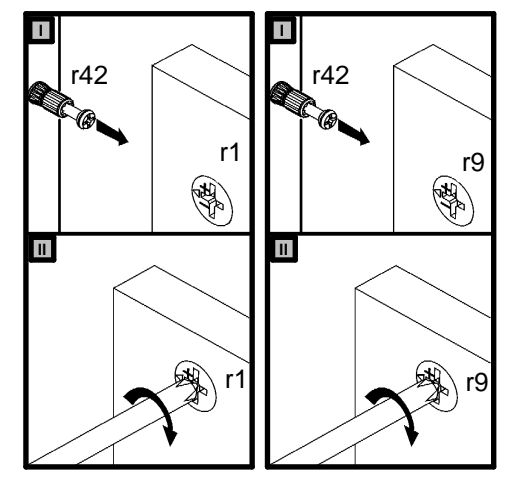
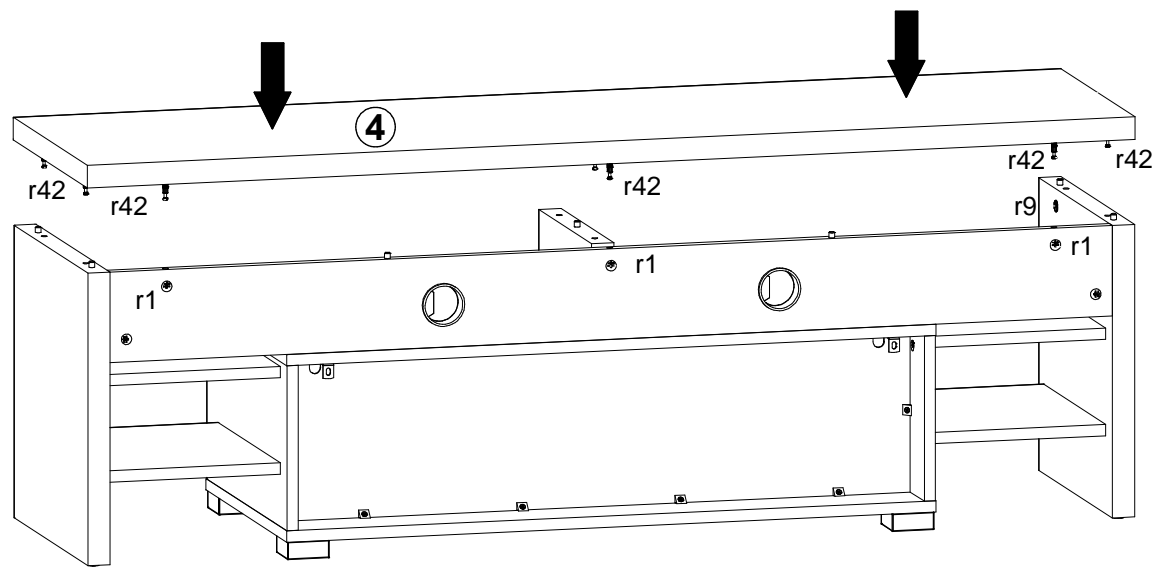
A

S279-RTV2S/3/9 S279-NAD/5/15

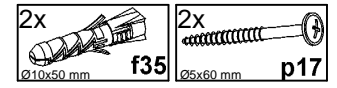
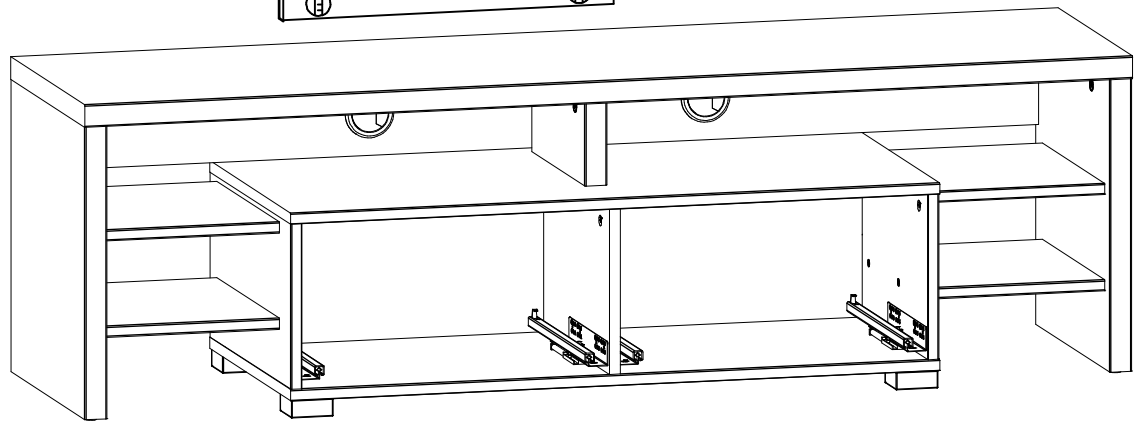
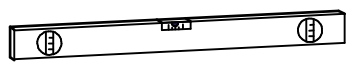
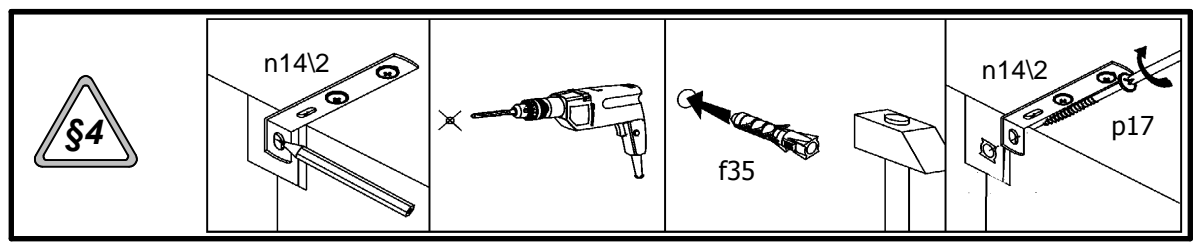
5011--80 5011--82

12 / 13

8



9



10

