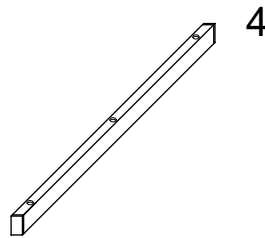
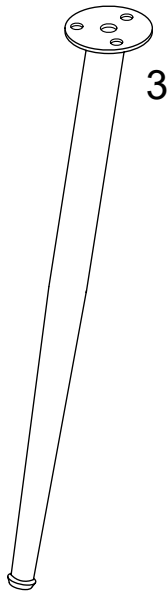
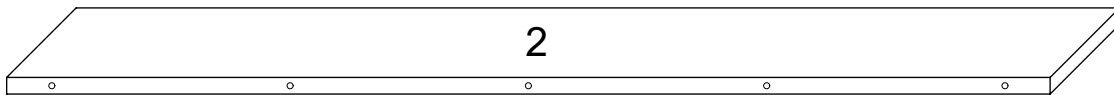
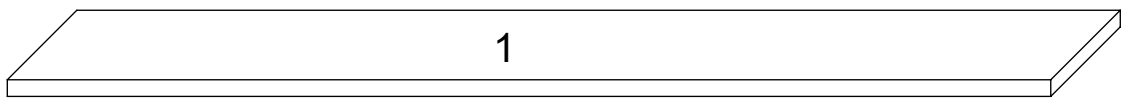
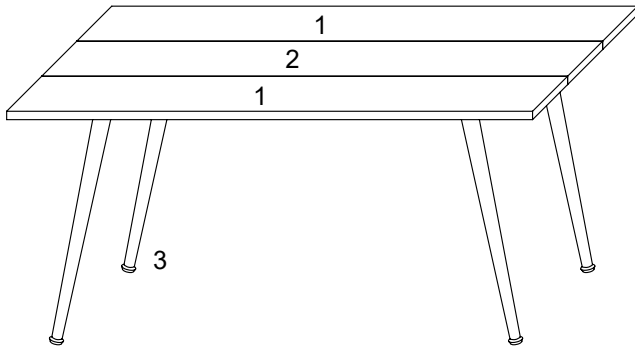
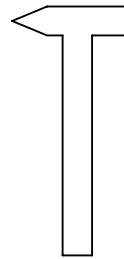
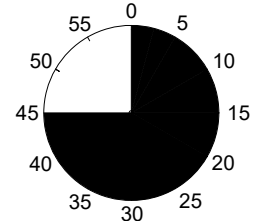
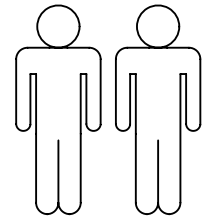


P292, P293, P301

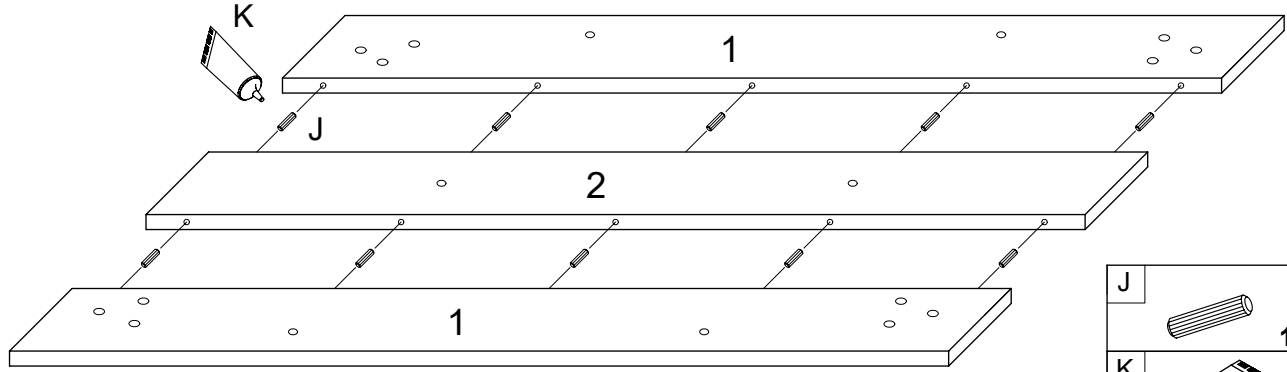


1	2x	1/2
2	1x	1/2
3	4x	2/2
4	2x	2/2

A	M6x35 6x	B	M8x16 12x	C	D18*D8*1.5mm 12x	D	M8x12 12x	E	M6x12 6x	F	SW 5 1x
G	SW 6 1x	H	SW 8 1x	J	8x30 10x	K	2x				

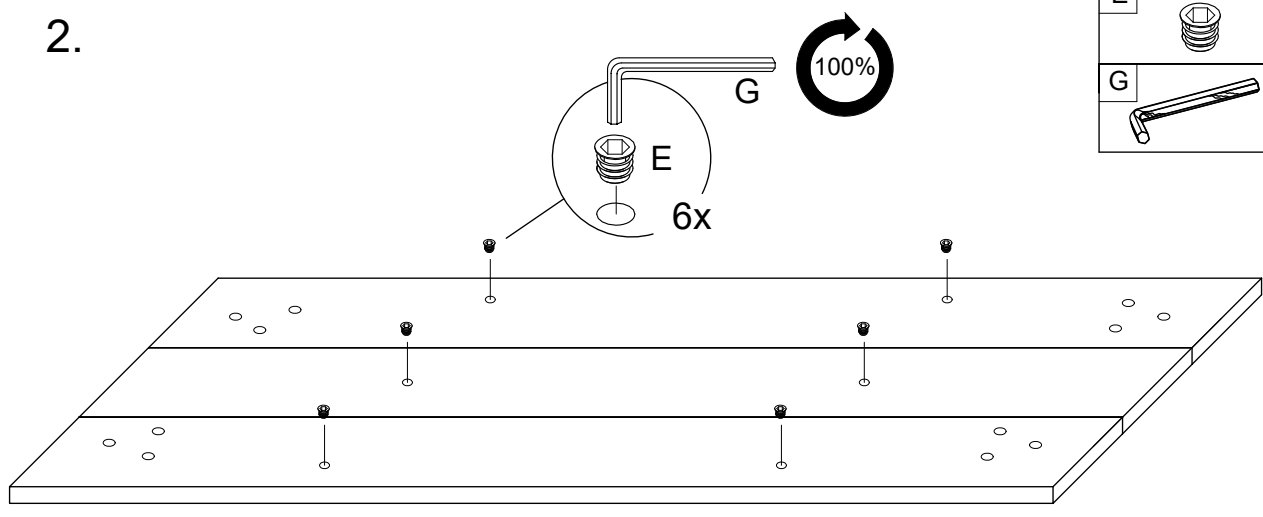
I.

1.

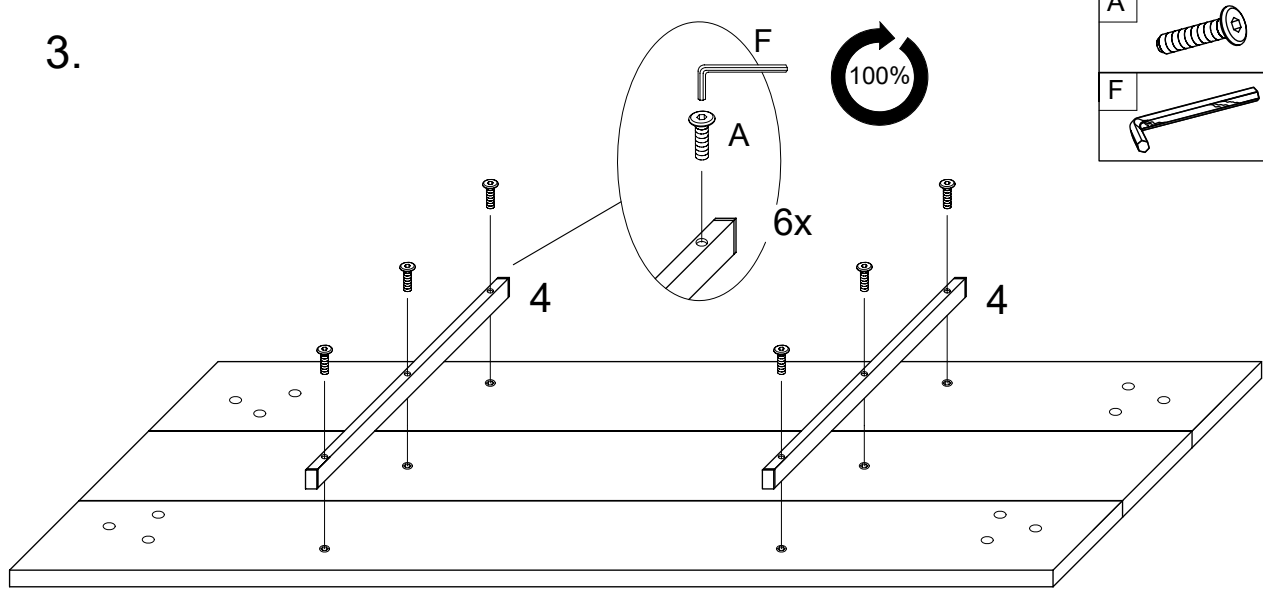


J	8x30
	10x
K	
	1x
E	M6x12
	6x
G	SW6
	1x

2.



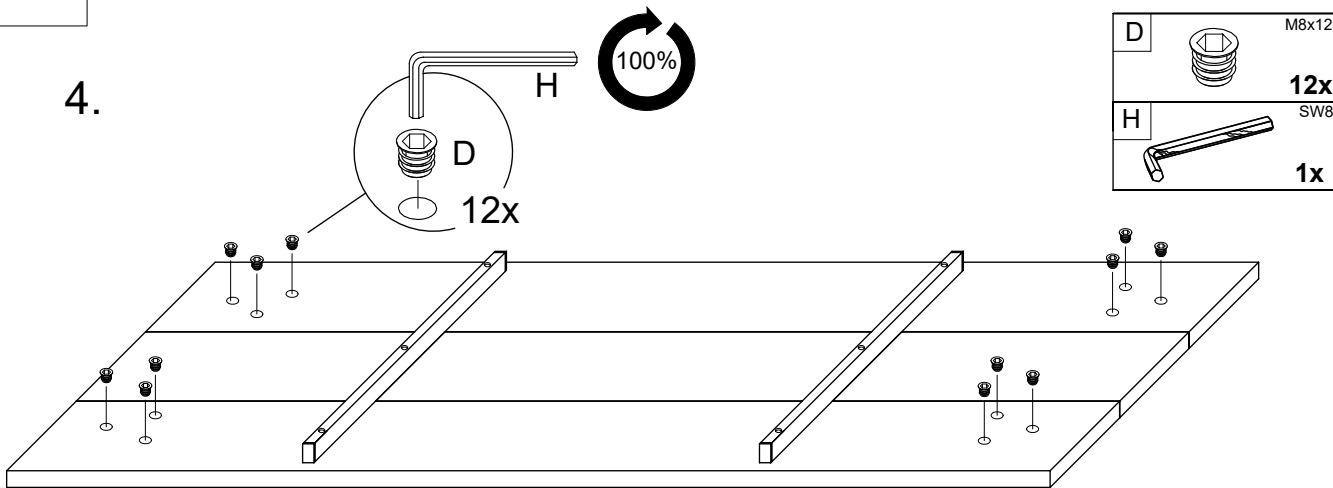
3.



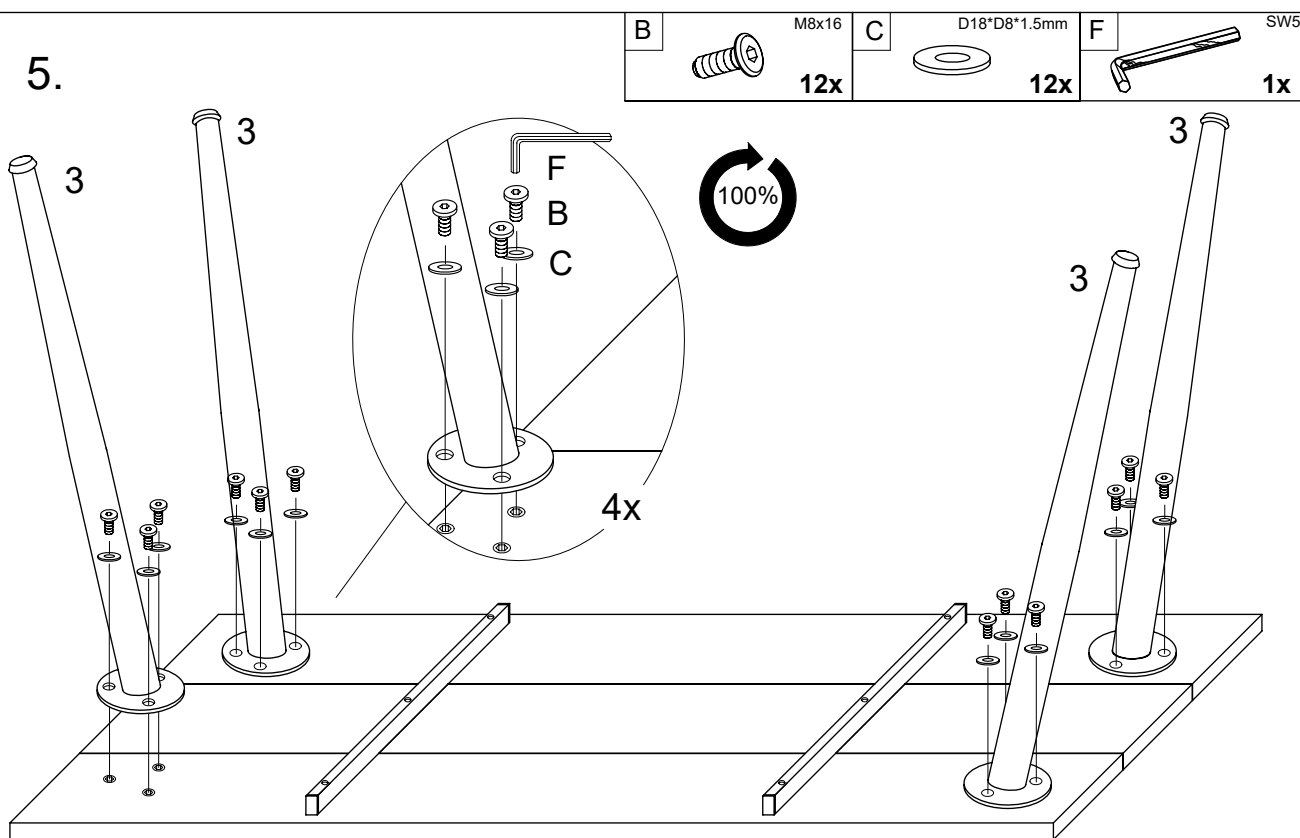
A	M6x35
	6x
F	SW5
	1x

II.

4.



5.



6.

