



# PERFORMER SIDEBORD

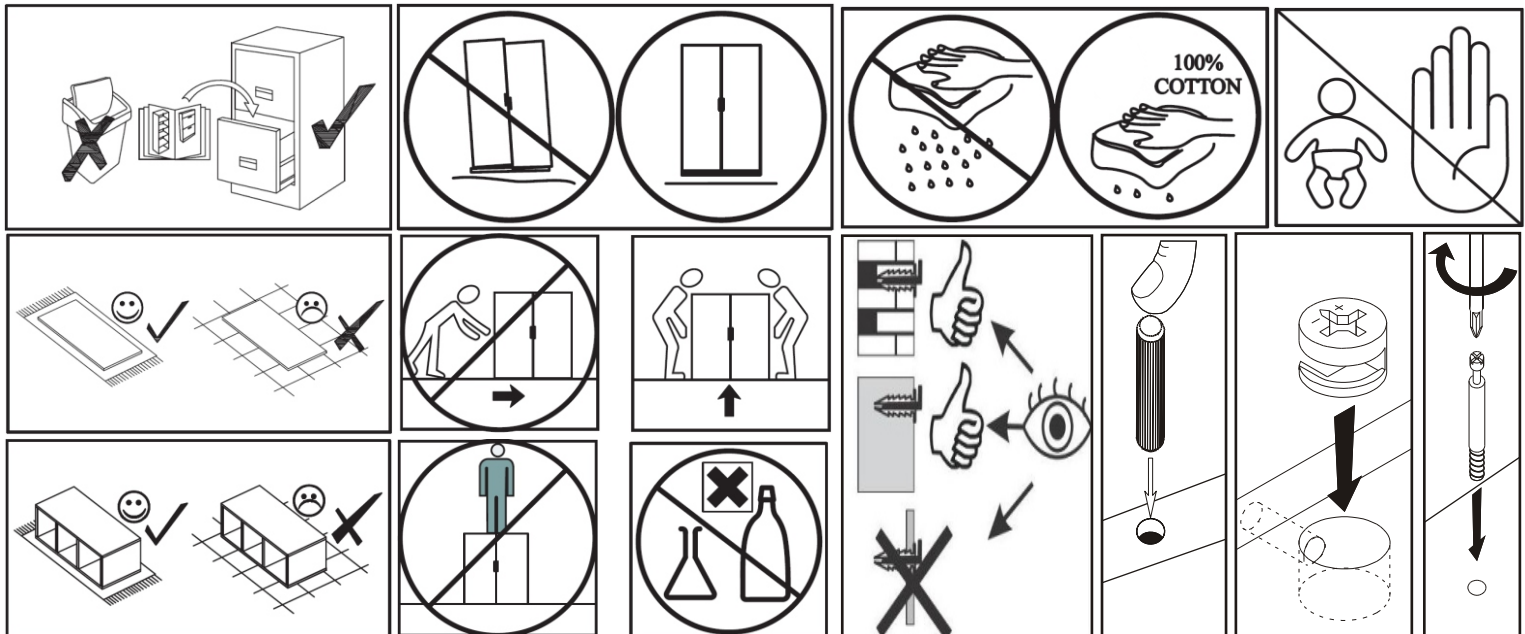
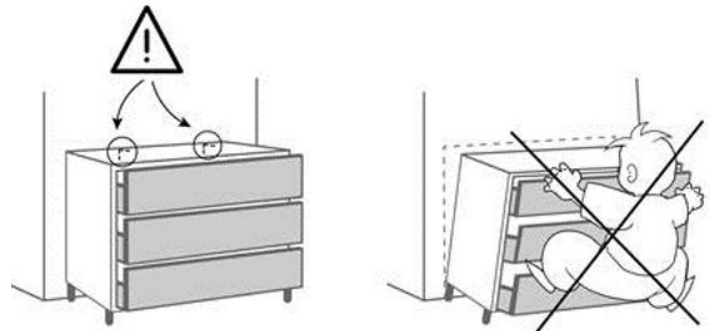
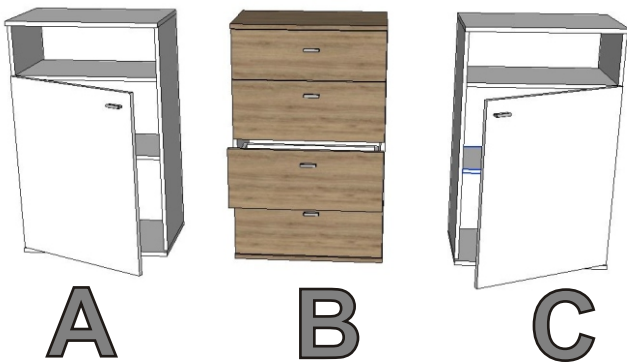
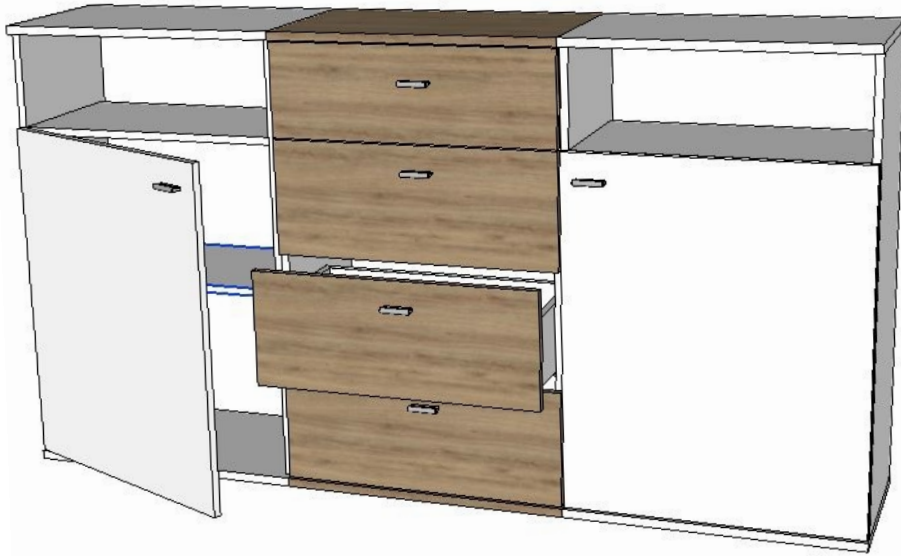
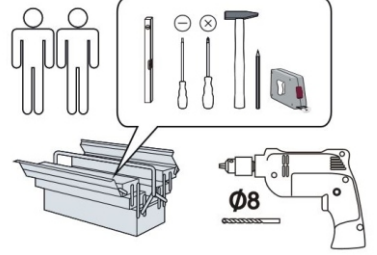
44-011-...-3

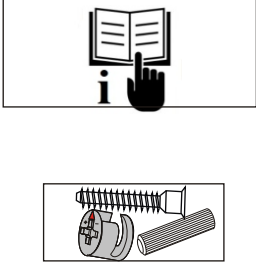
1/24

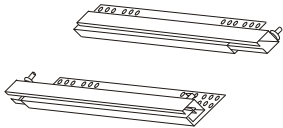
meble  
okmed  
DENKO

wyprodukowano dla / made for / produziert für  
**BEGA GRUPPE**  
producent: **MEBLE OKMED** POLAND

**BEGA**  
GRUPPE



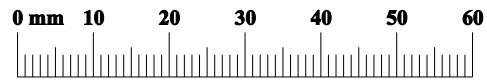
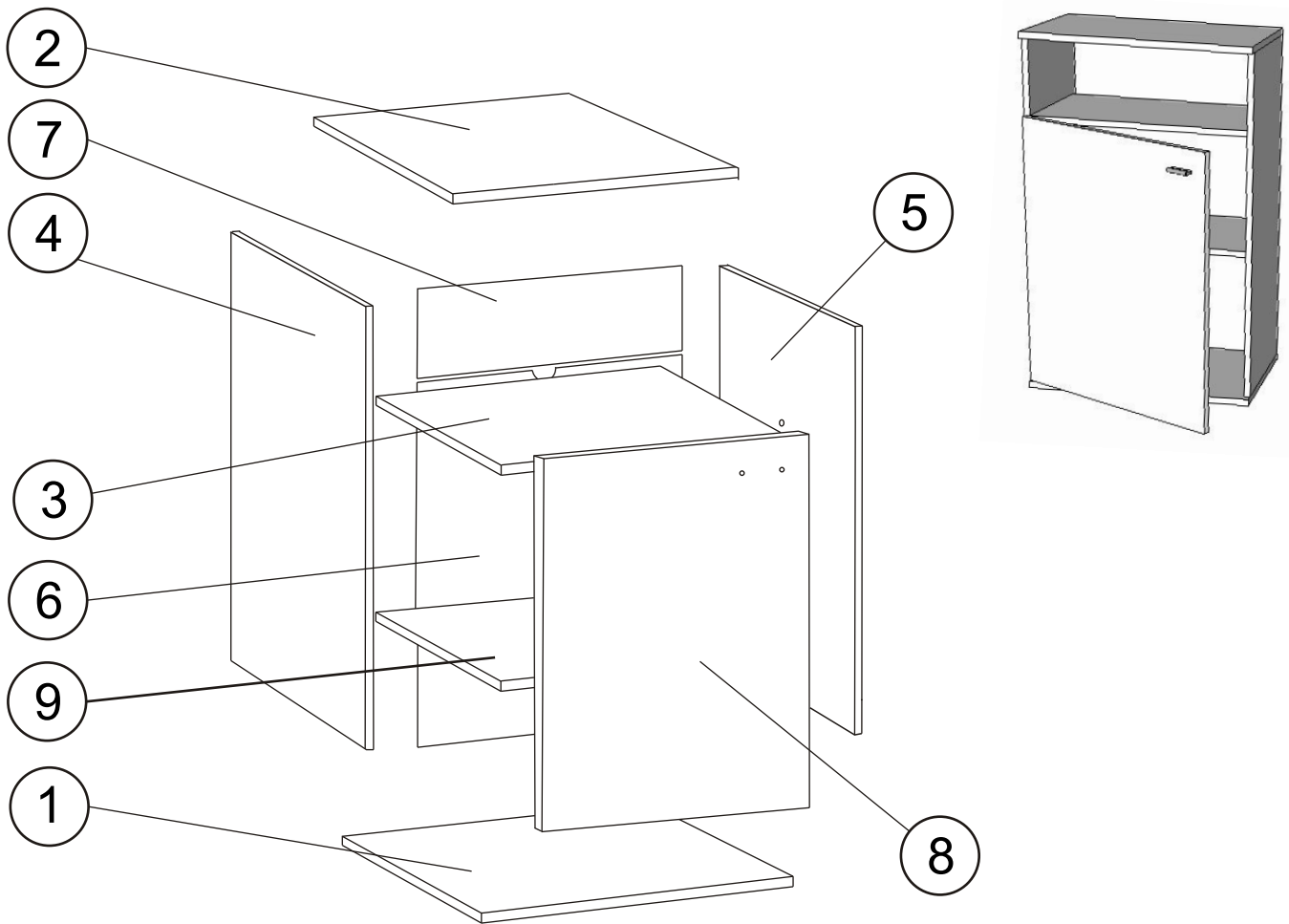
<b>A</b> 	1/3	11	16x195x596	x1
		12	16x240x596	x3
		10	16x127x527	x4
		15	3x295x541	x4
		20	3x584x946	x1
		7	3x584x214	x1
		26	3x584x732	x1
		8	16x596x726	x1
		28	16x596x726	x1
		27	3x584x214	x1
		6	3x584x732	x1

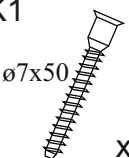
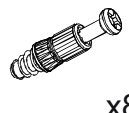
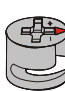

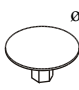
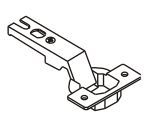
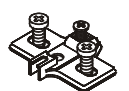





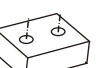


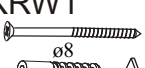
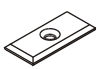
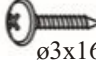

<b>B</b> 	2/3	17	18x350x600	x1
		16	18x350x600	x1
		1	18x350x600	x1
		2	18x350x600	x1
		22	18x350x600	x1
		21	18x350x600	x1
		29	16x300x567	x1
		9	16x300x567	x1
		3	16x311x567	x1
		23	16x311x567	x1

<b>C</b>	3/3	18	16x330x930	x1
		19	16x330x930	x1
		13	16x140x290	x4
		14	16x140x290	x4
		4	16x330x930	x1
		5	16x330x930	x1
		24	16x330x930	x1
		25	16x330x930	x1

# PERFORMER SIDEBORD

A 3/24



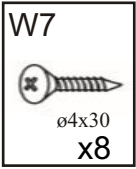
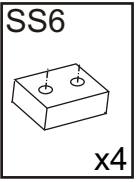
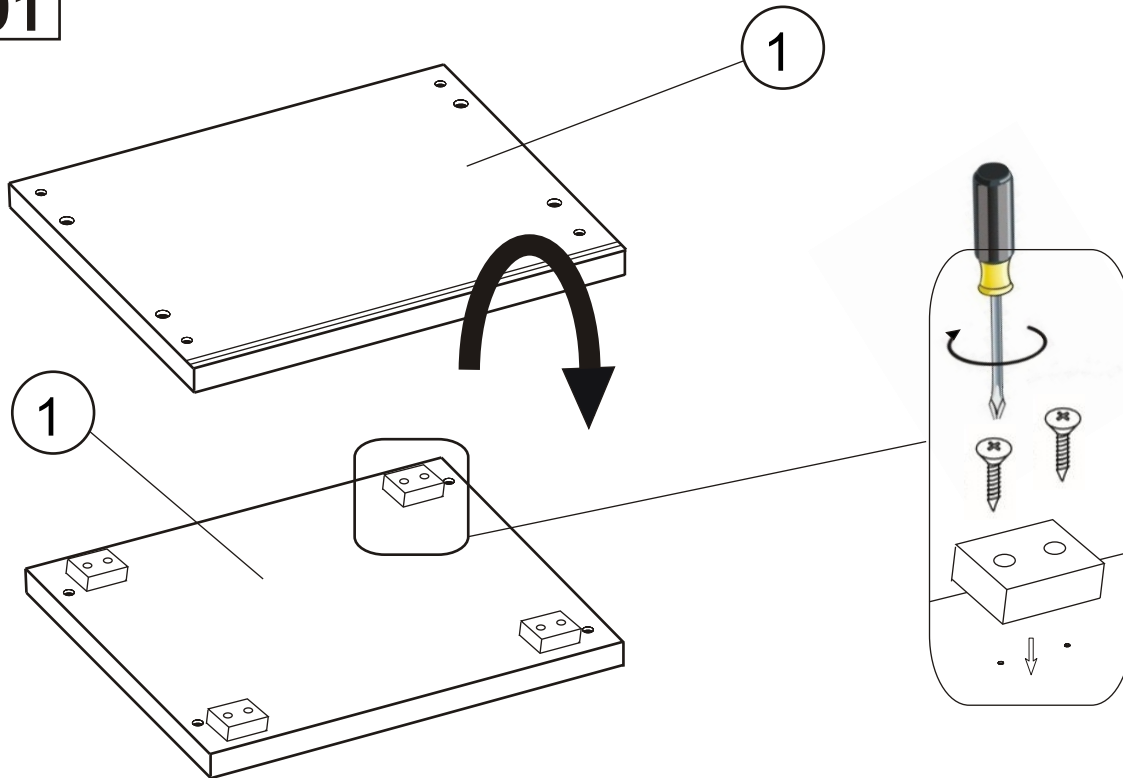
<b>K1</b>  ø7x50 x4	<b>ZM1B</b>  x8	<b>ZM1A</b>  x8	<b>PP</b>  x4	<b>ZM1</b>  ø16 x8
<b>Z1</b>  x2	<b>Z1P</b>  x2	<b>U75</b>  x1	<b>U75A</b>  ø3,5x27 x2	<b>KD1</b>  ø8x35 x12
<b>W11</b>  ø3,5x16 x2	<b>W7</b>  ø4x30 x8	<b>SS6</b>  x4	<b>S1</b>  x10	<b>W4</b>  ø4x13 x4
<b>KRW1</b>  ø8 x1	<b>PL1</b>  x4	 ø3x16 x4	<b>ZLS5</b>  x2	

# PERFORMER SIDEBOARD

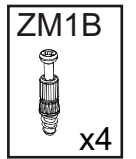
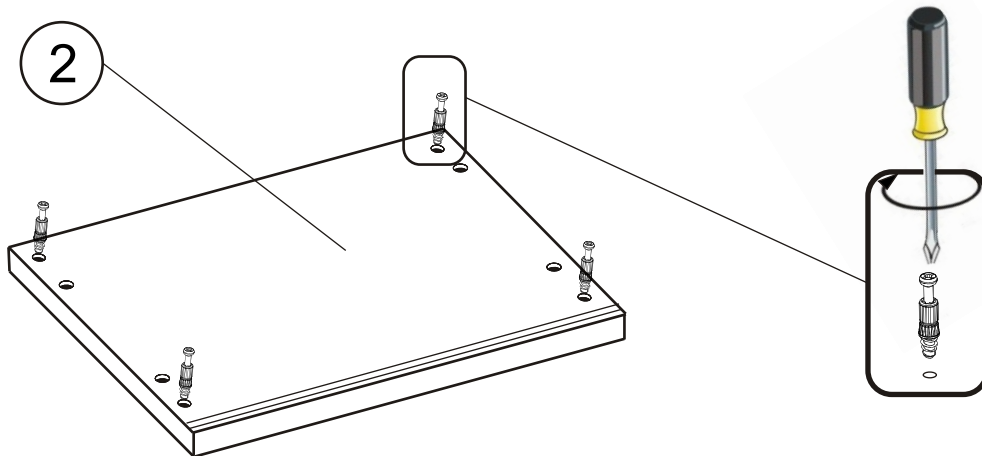
A

4/24

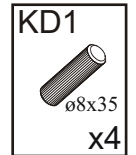
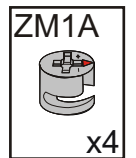
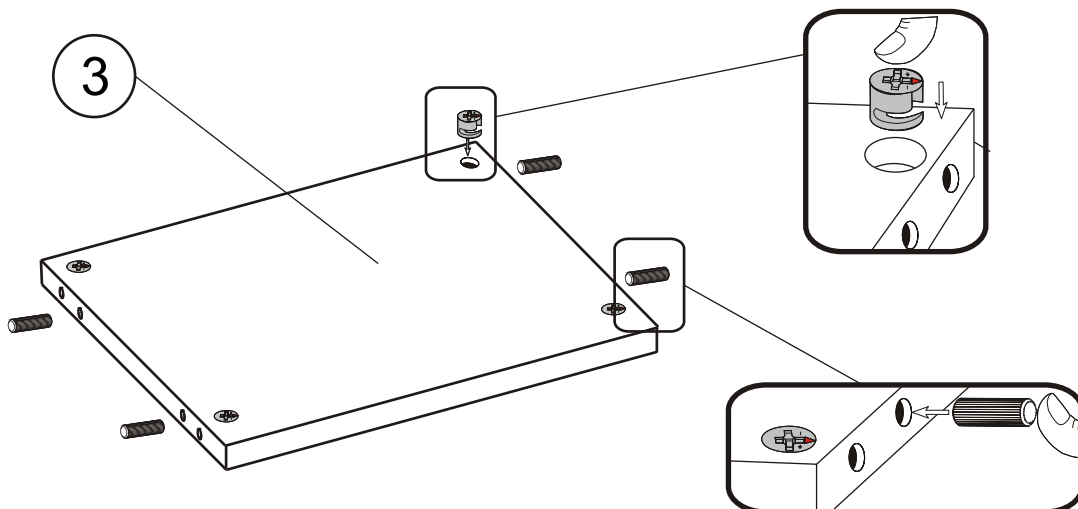
01



02



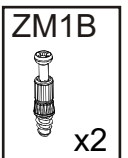
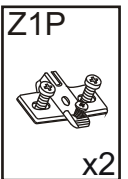
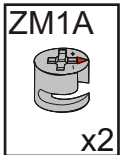
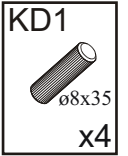
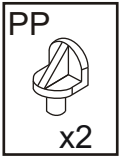
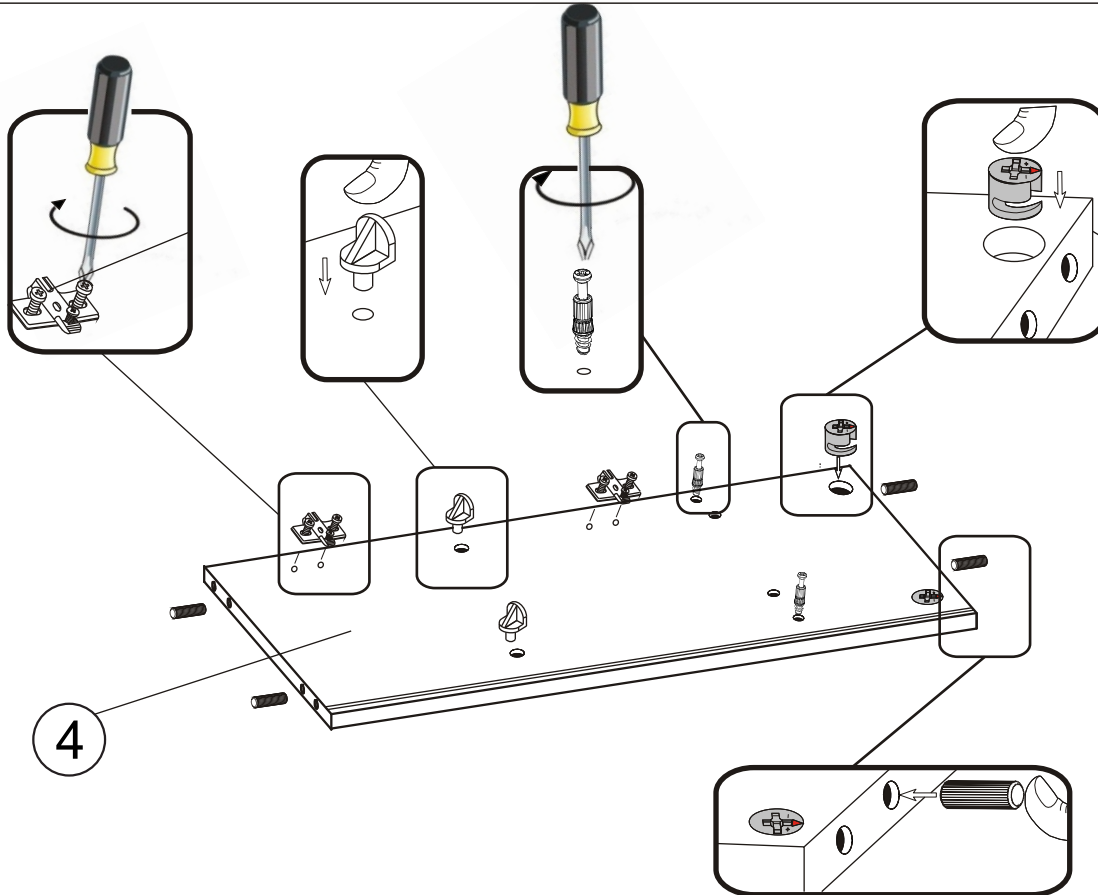
03



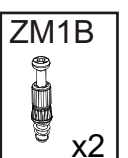
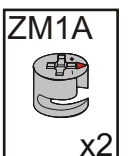
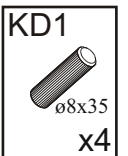
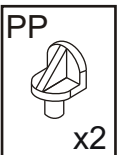
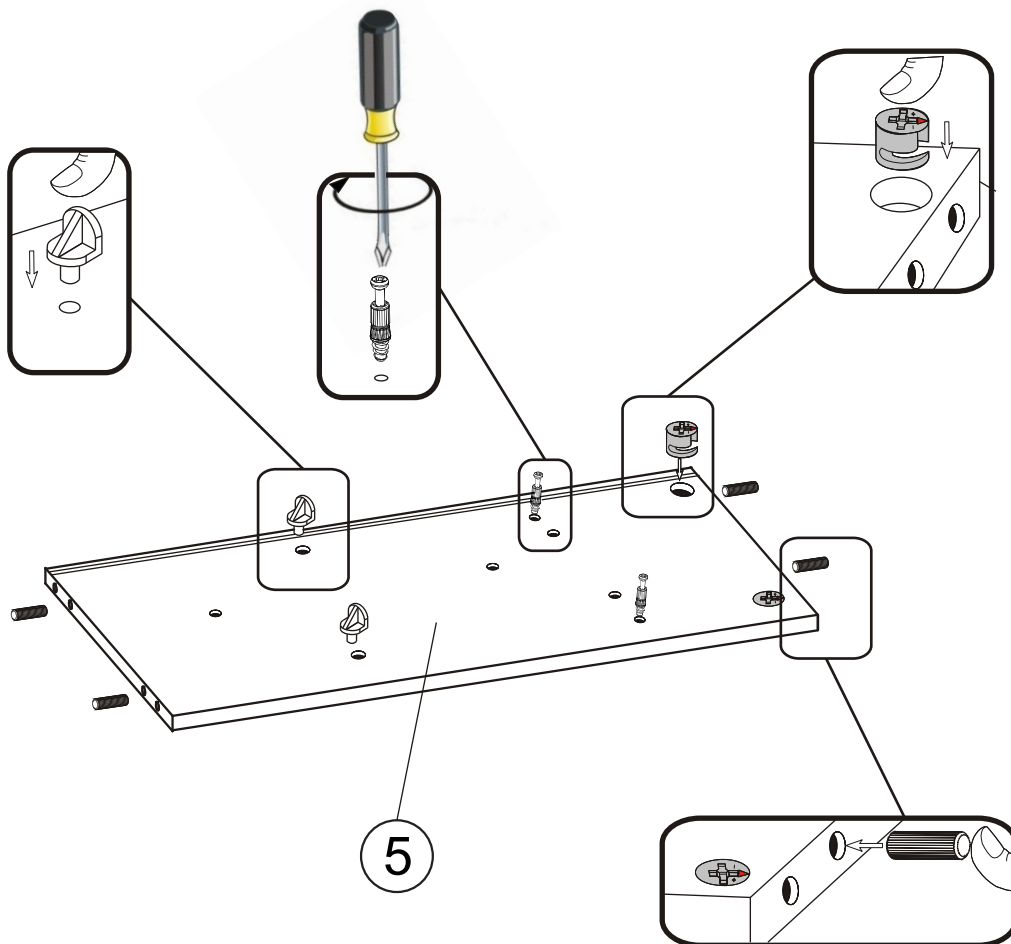
# PERFORMER SIDEBOARD

A 5/24

04



05

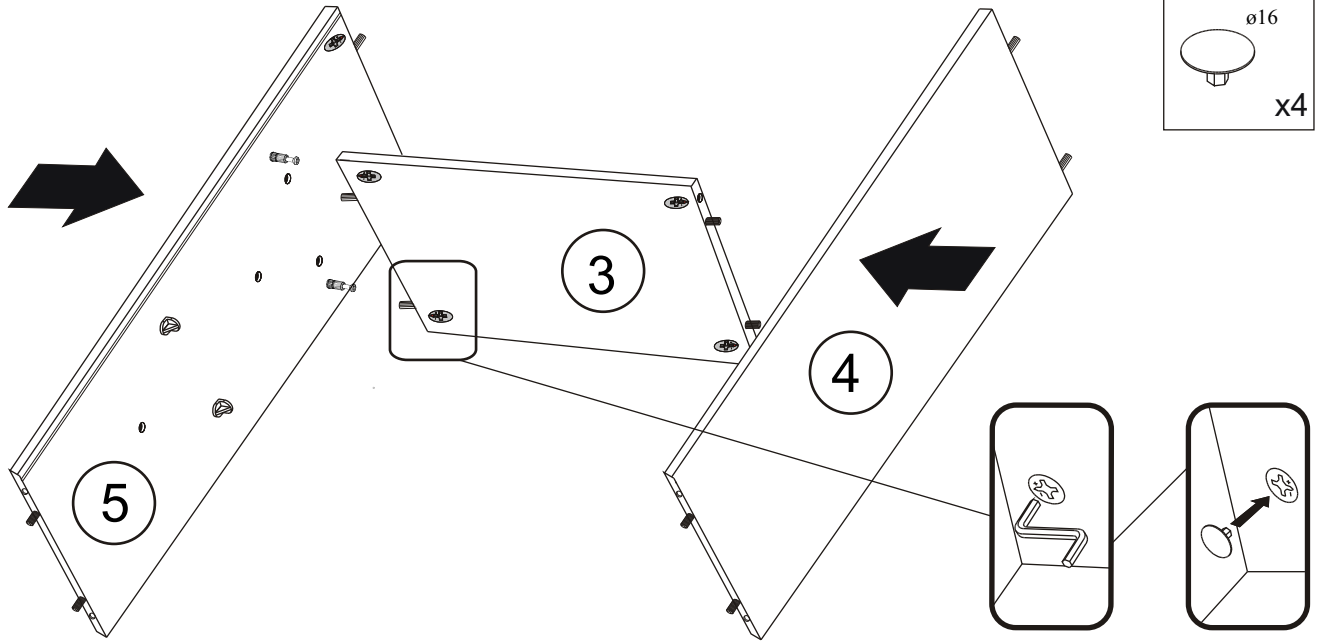


# PERFORMER SIDEBORD

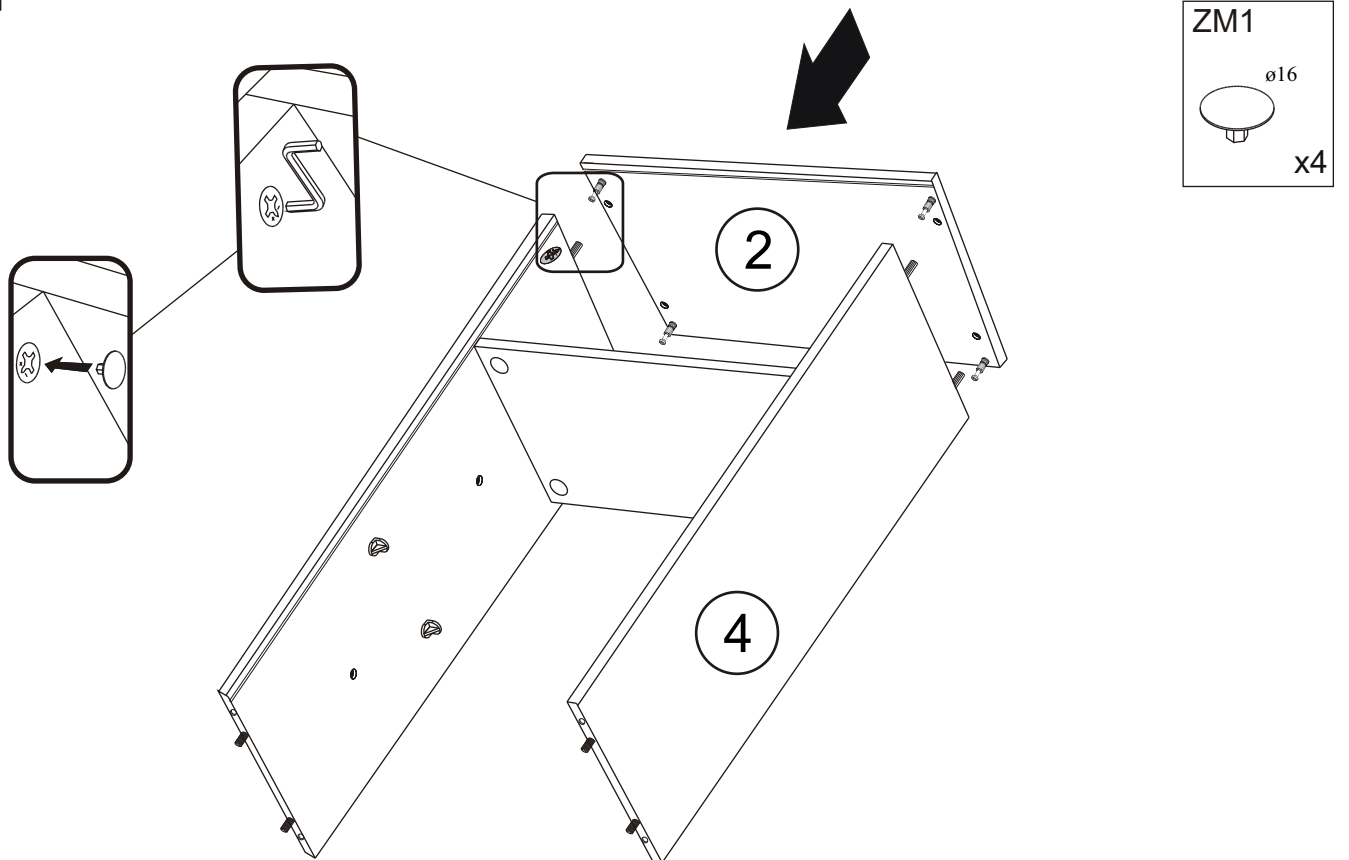
A

6/24

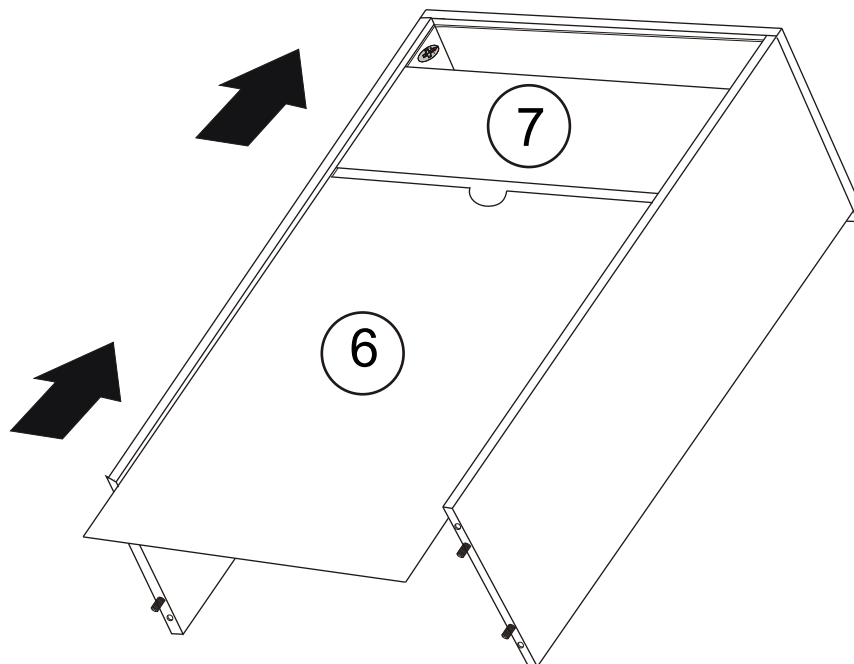
06



07

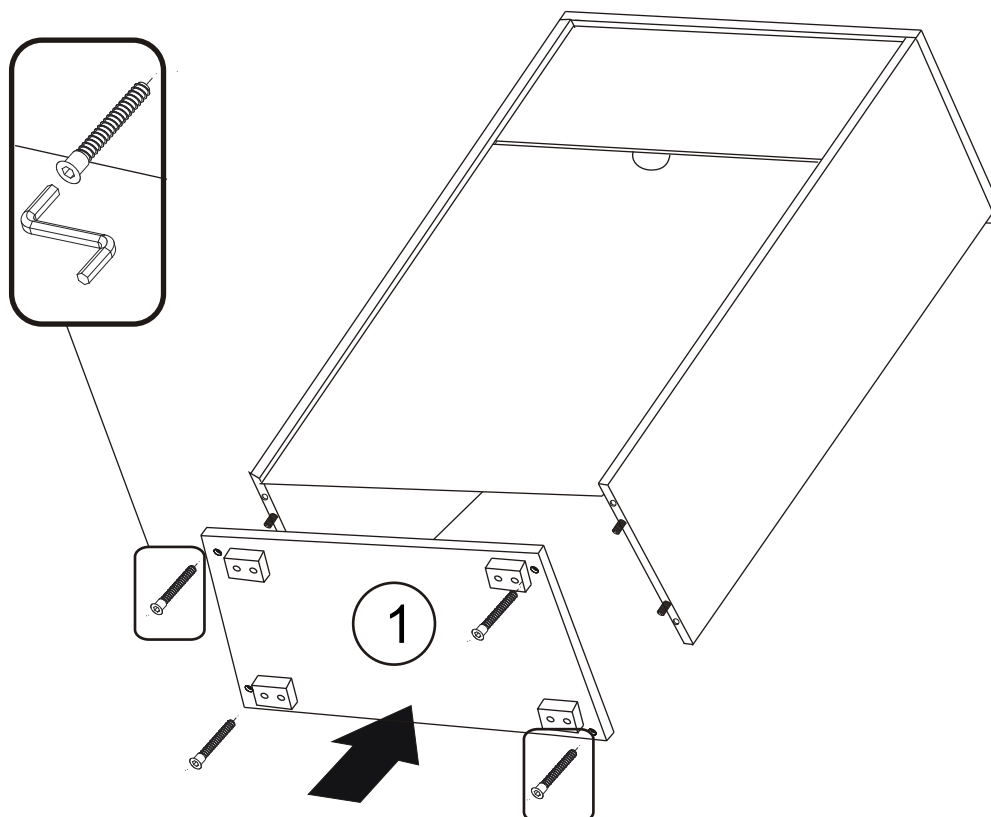


08



09

K1  
ø7x50  
x4



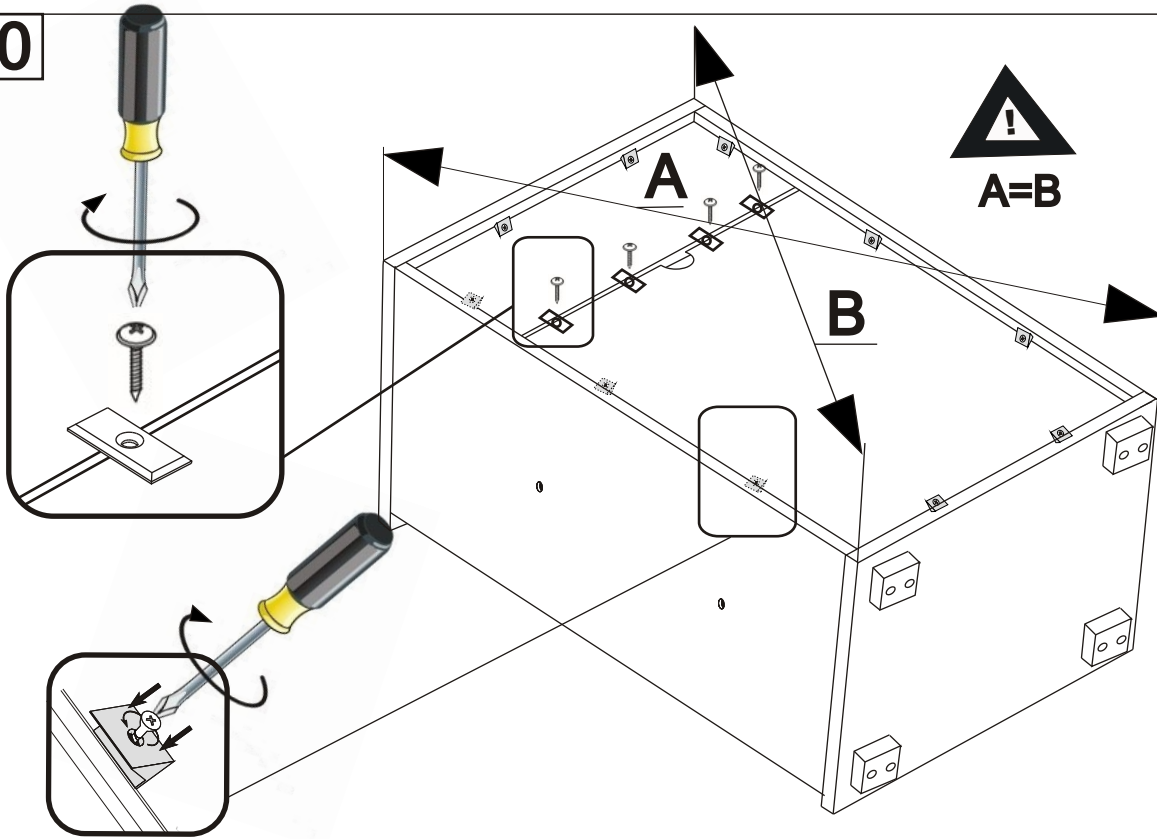


# PERFORMER SIDEBOARD

A

8/24

10

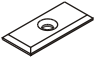


S1



x10

PL1



x4

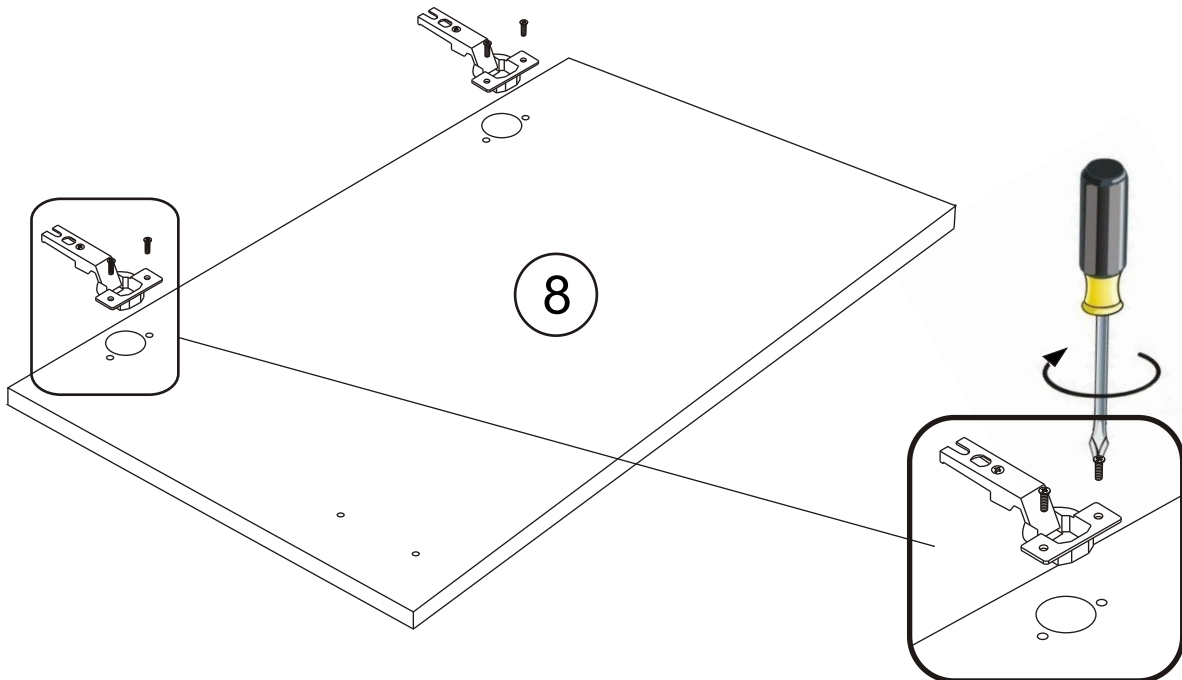
W1



ø3x16

x4

11

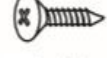


Z1



x2

W4

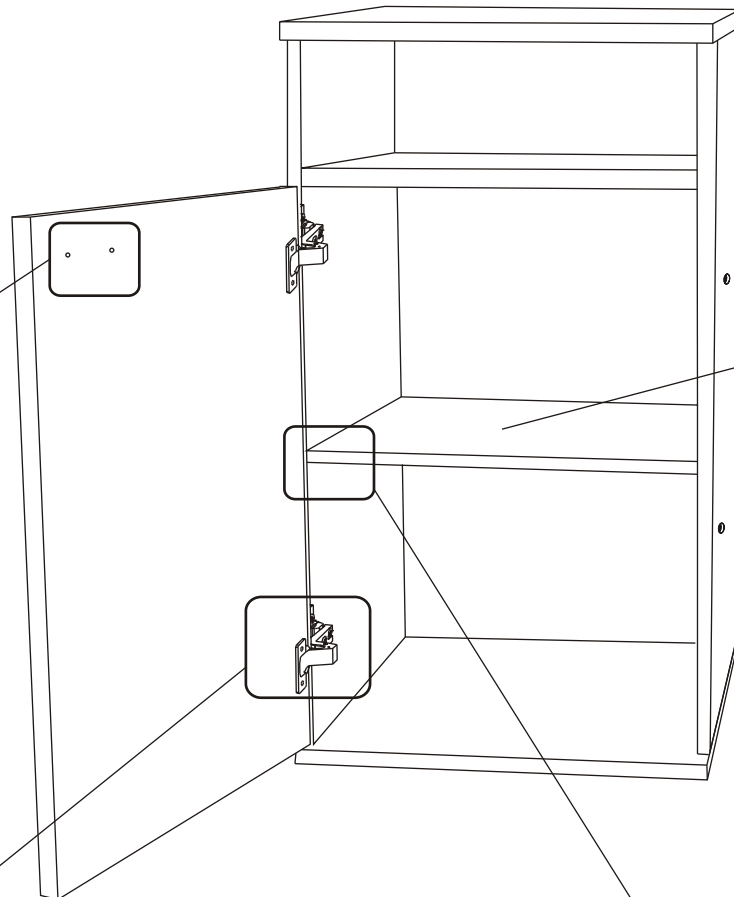
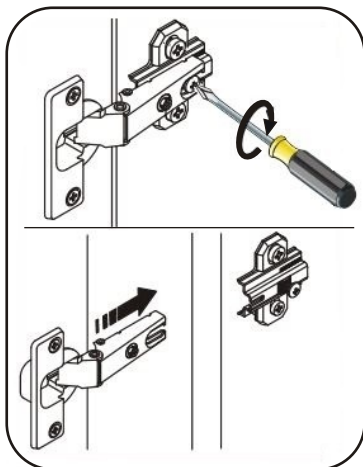
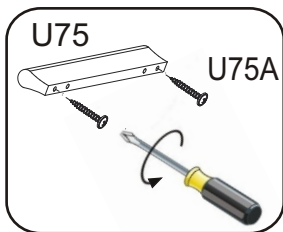
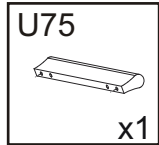


ø4x13

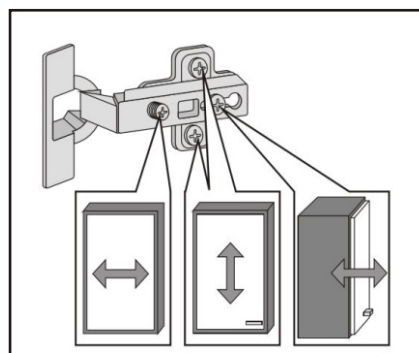
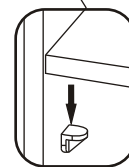
x4



## 12



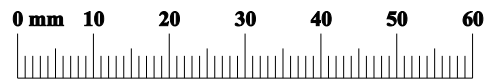
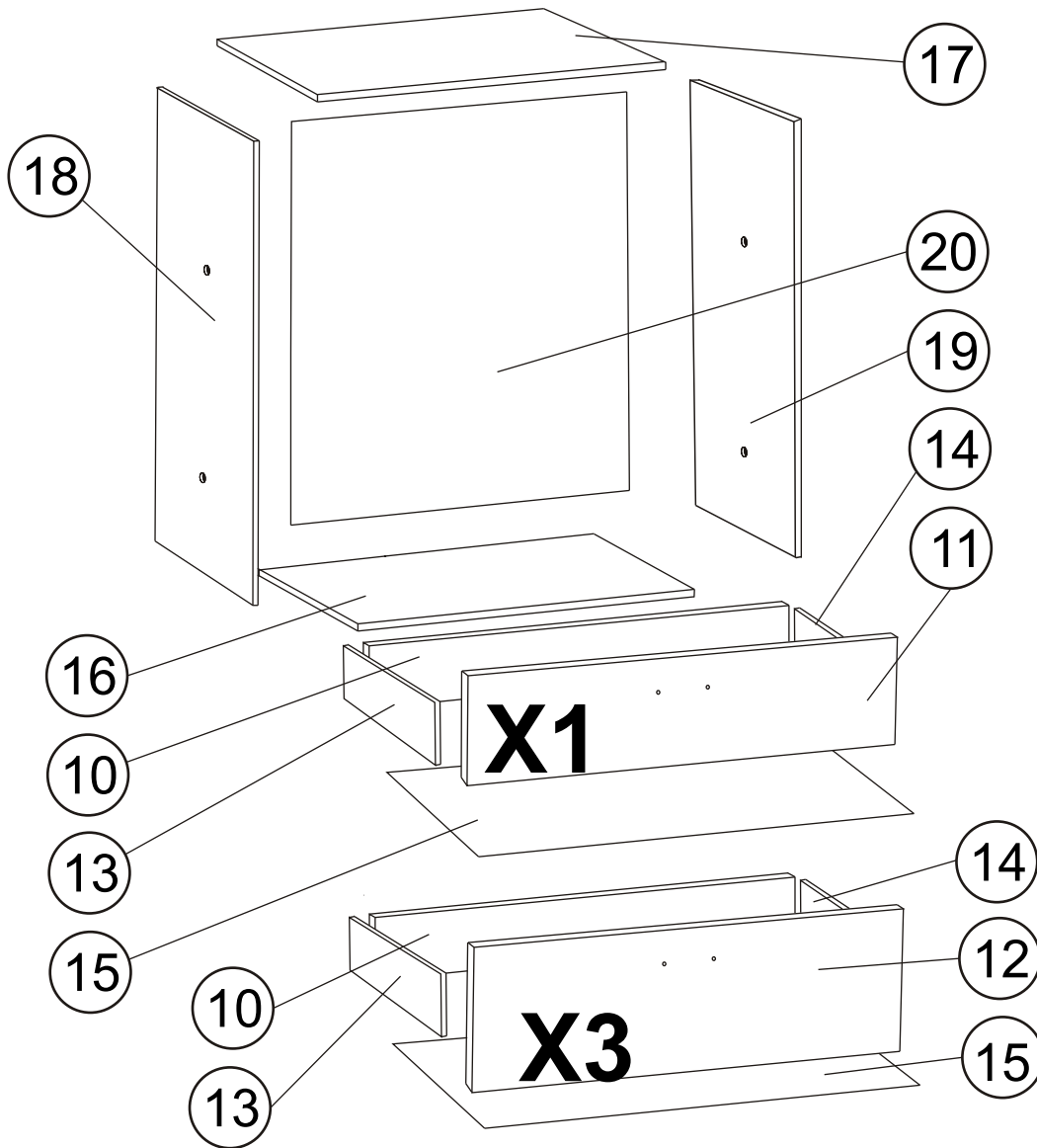
9


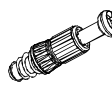
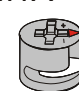
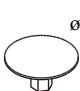








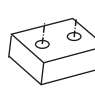




# PERFORMER SIDEBORD

**B**

10/24



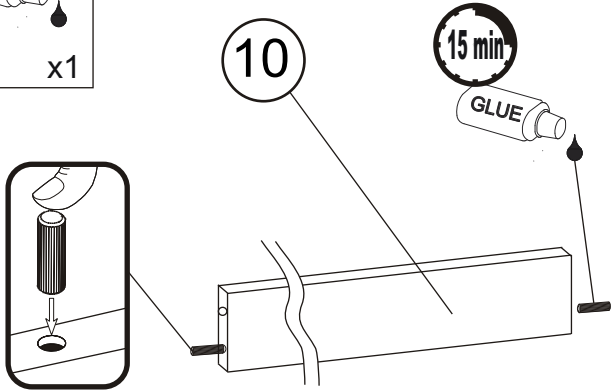
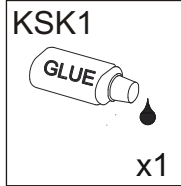
<p>K1</p>  <p>ø7x50 x12</p>	<p>ZM1B</p>  <p>x12</p>	<p>ZM1A</p>  <p>x12</p>	<p>ZM1</p>  <p>ø16 x8</p>	<p>KD1</p>  <p>ø8x35 x32</p>
<p>KK1</p>  <p>x1</p>	<p>PQ1/PQ2</p>  <p>x4</p>	<p>U75</p>  <p>x4</p>	<p>U75A</p>  <p>ø3,5x27 x8</p>	<p>S1</p>  <p>x14</p>
<p>W11</p>  <p>ø3,5x16 x16</p>	<p>W1</p>  <p>ø3x16 x16</p>	<p>SS6</p>  <p>x4</p>	<p>KSK1</p>  <p>GLUE x1</p>	<p>W7</p>  <p>ø4x30 x8</p>

# PERFORMER SIDEBOARD

**B**

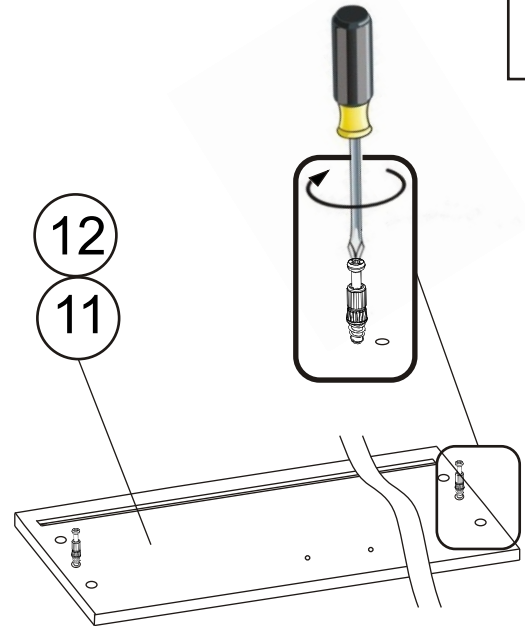
11/24

**13**



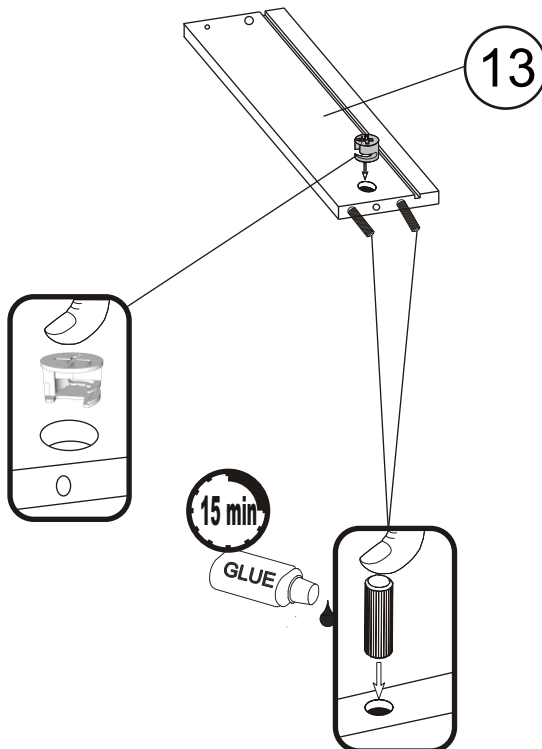
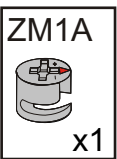
**X4**

**14**



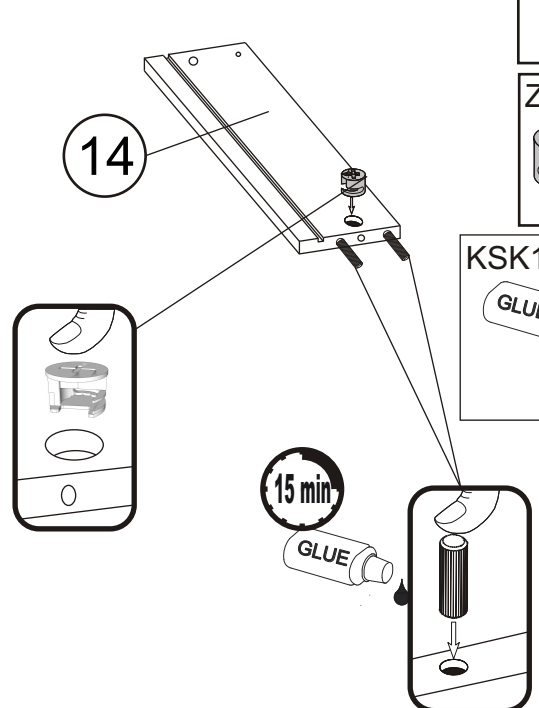
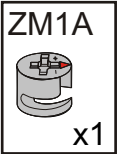
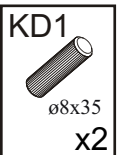
**11 X1**  
**12 X3**

**15**



**X4**

**16**



**X4**

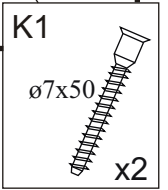
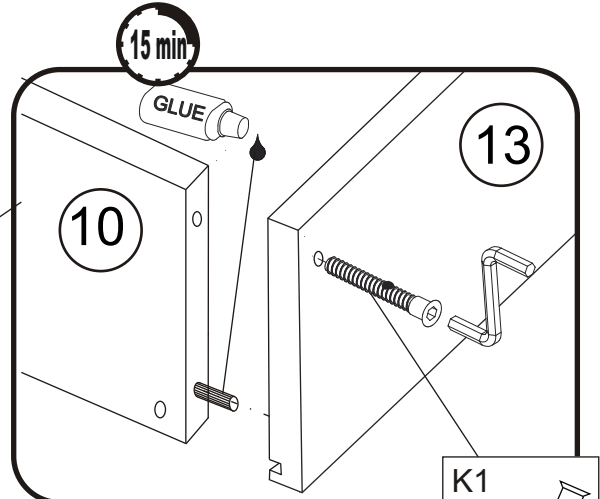
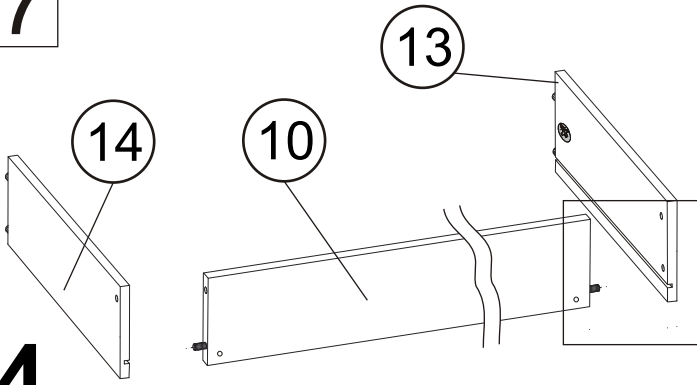
# PERFORMER SIDEBORD

B

12/24

17

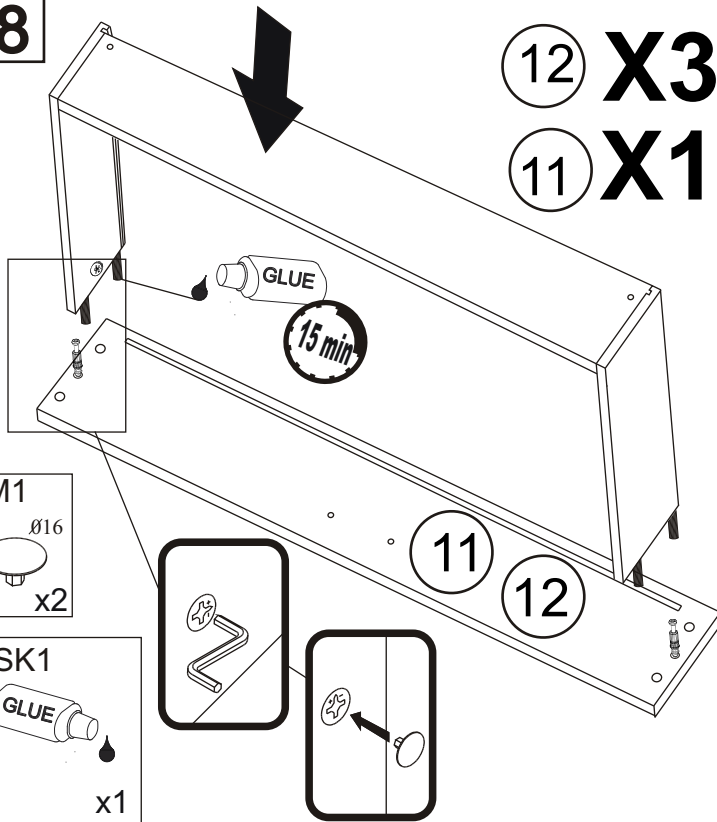
X4



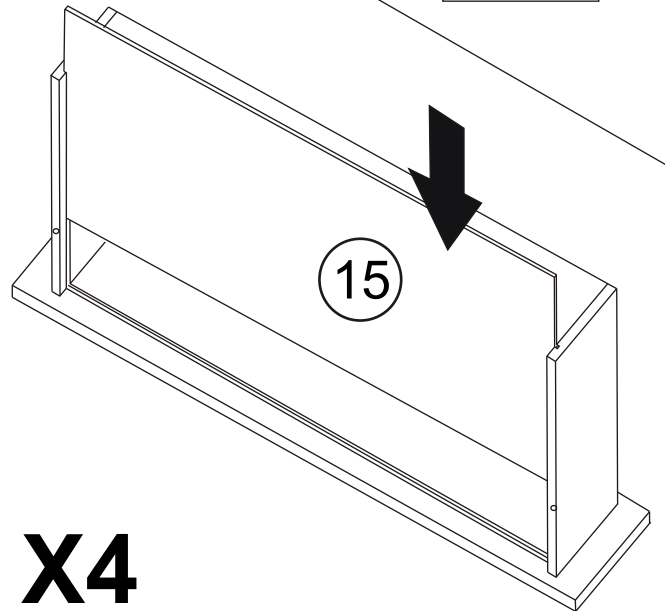
18

12 X3

11 X1



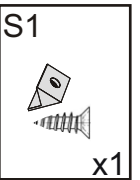
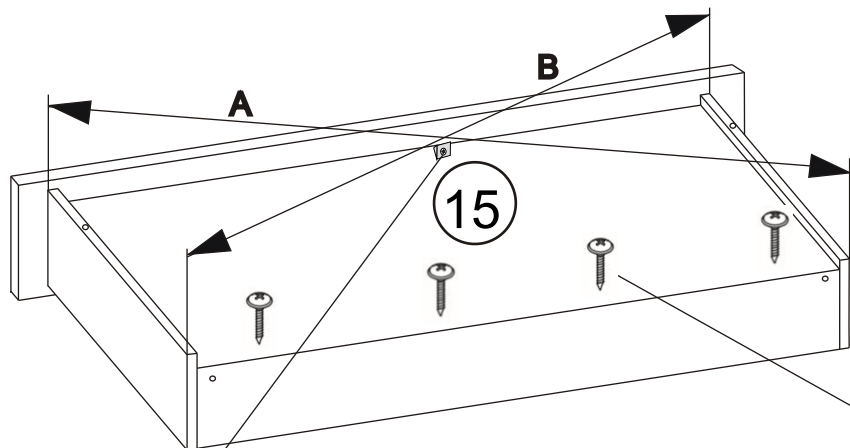
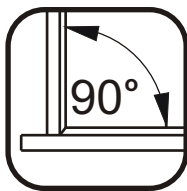
19



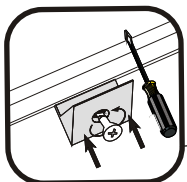
X4

20 → 20a → 20b → 20c

20a

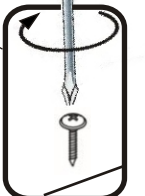


20b

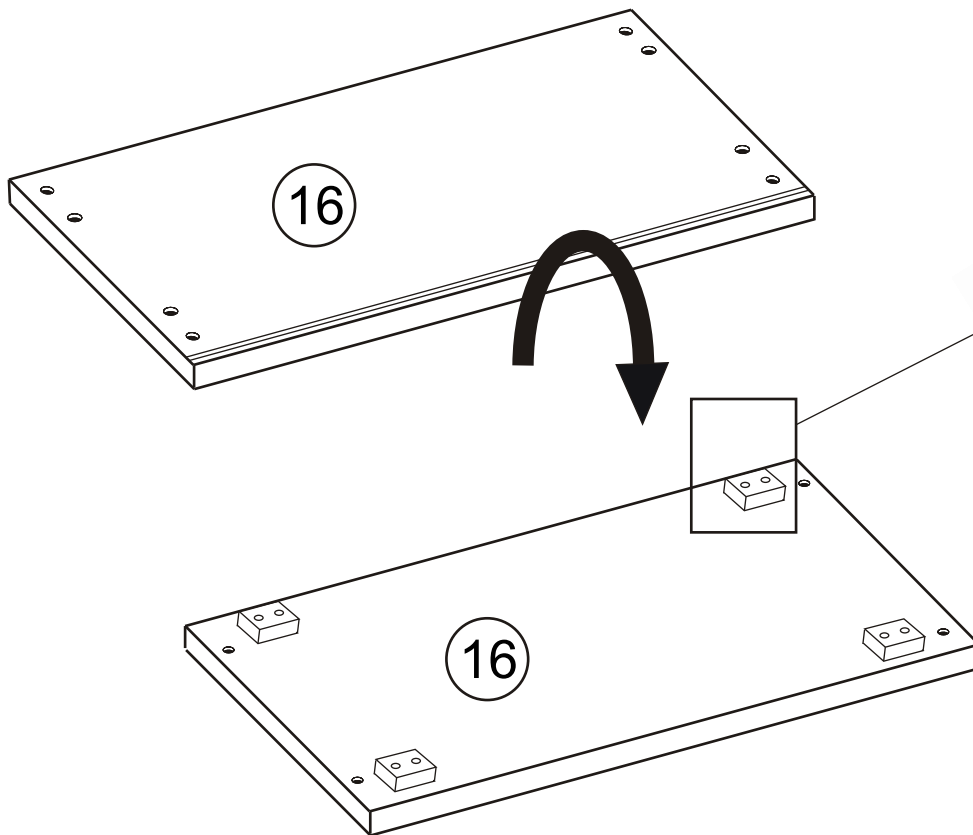


20c

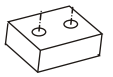
X4



## 21



SS6



x4

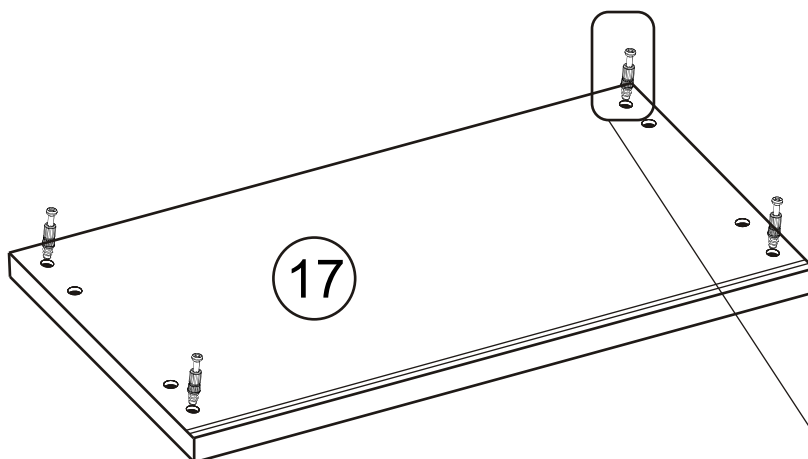
W7



ø4x30

x8

## 22



ZM1B



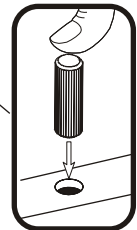
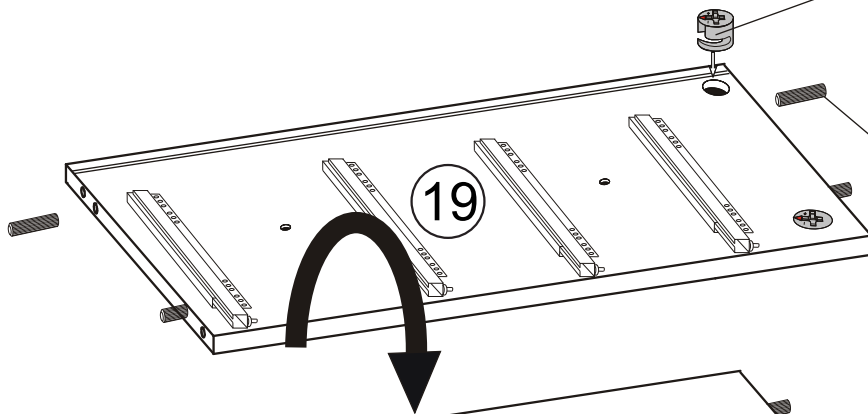
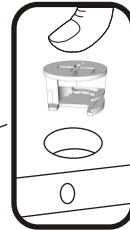
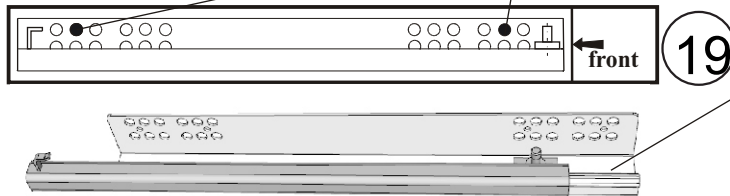
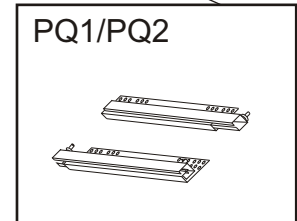
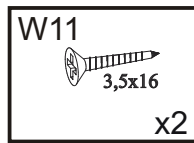
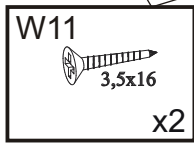
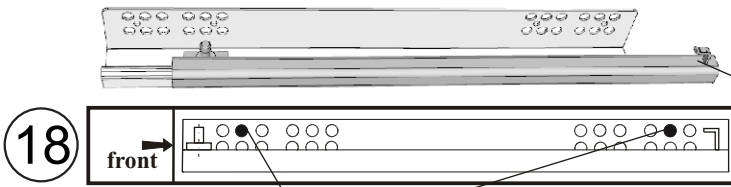
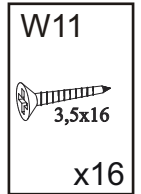
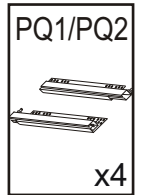
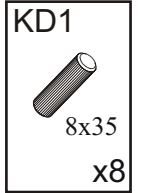
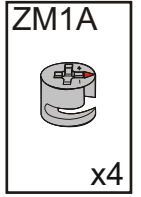
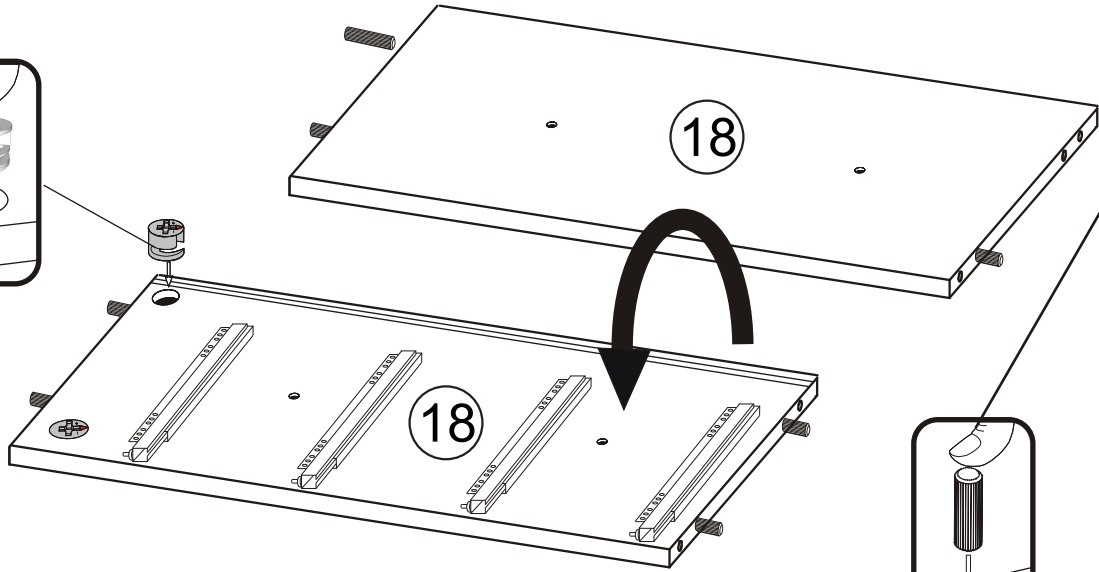
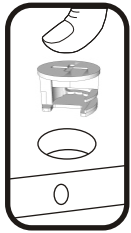
x4

# PERFORMER SIDEBORD

# B

# 14/24

## 23

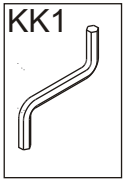


# PERFORMER SIDEBOARD

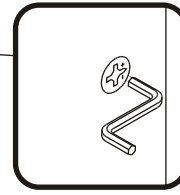
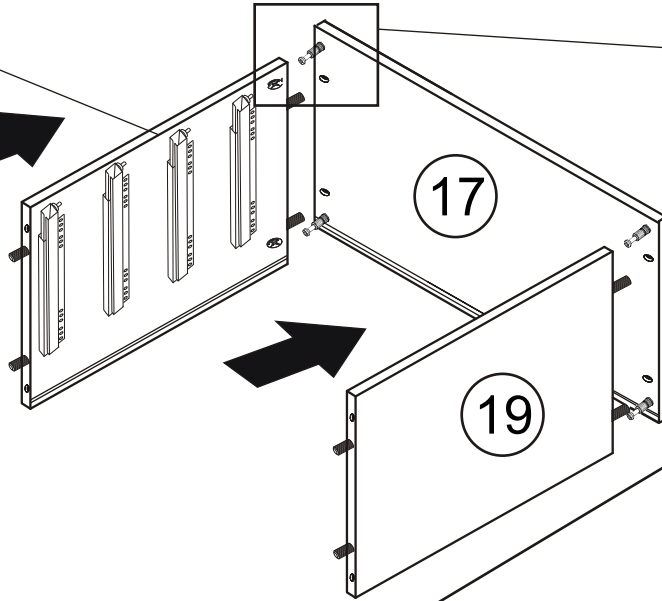
B

15/24

24

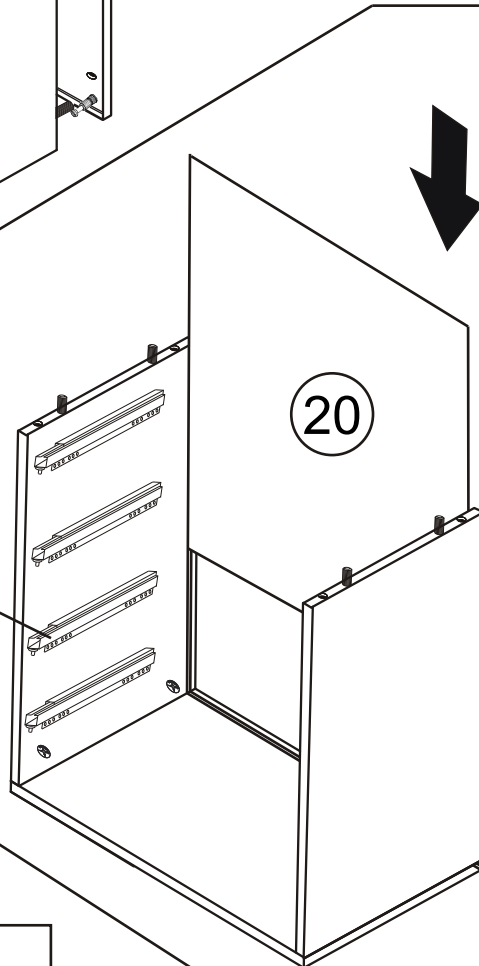


18

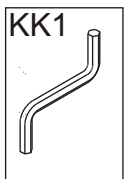


25

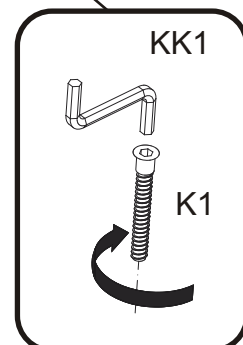
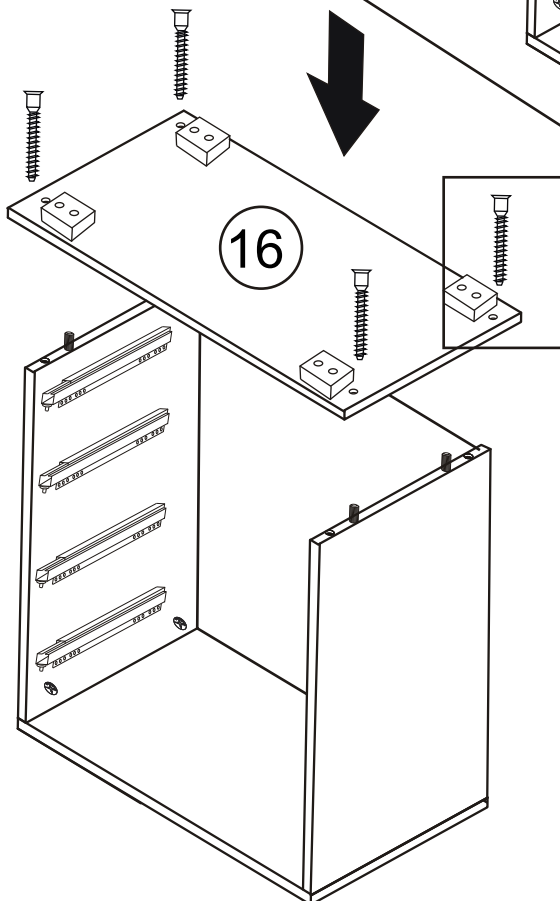
19



26



16





# PERFORMER SIDEBORD

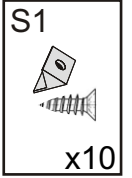
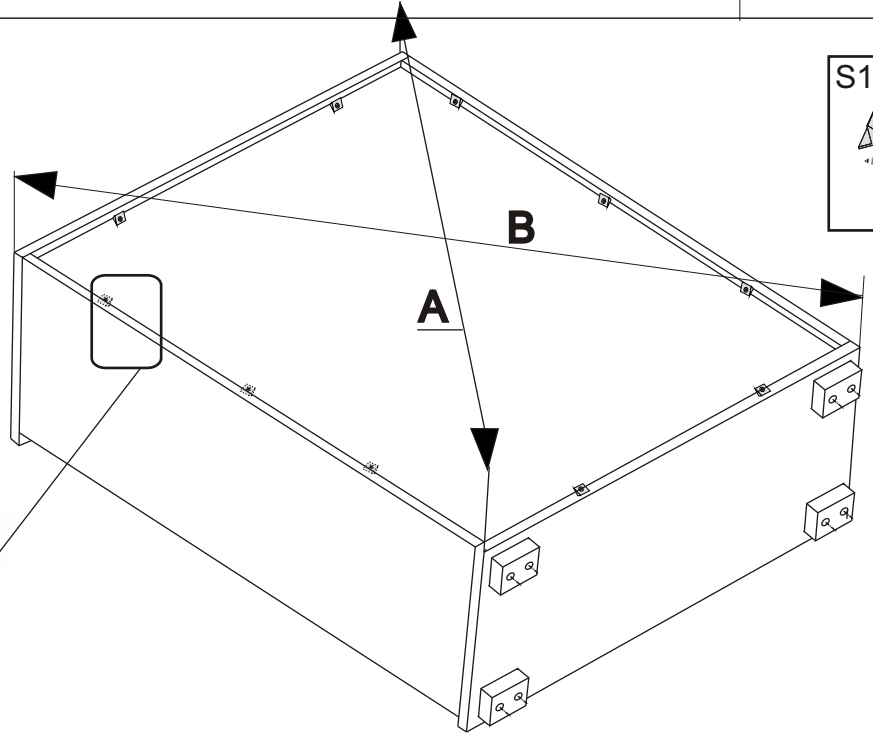
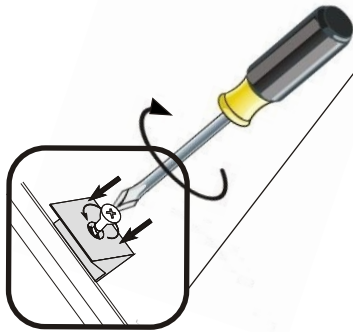
**B**

16/24

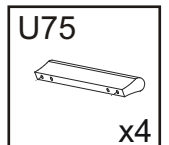
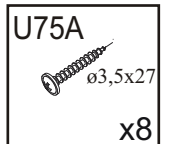
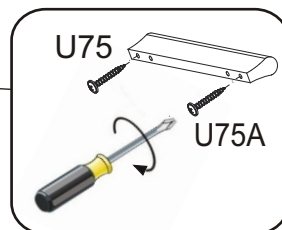
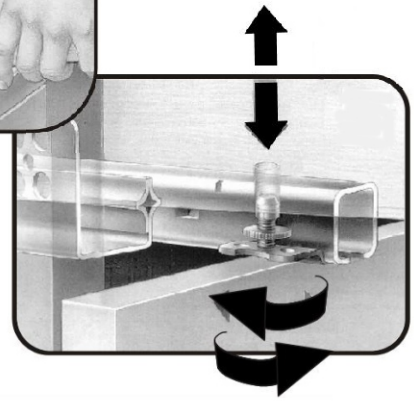
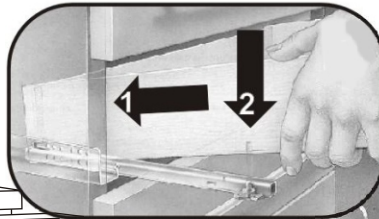
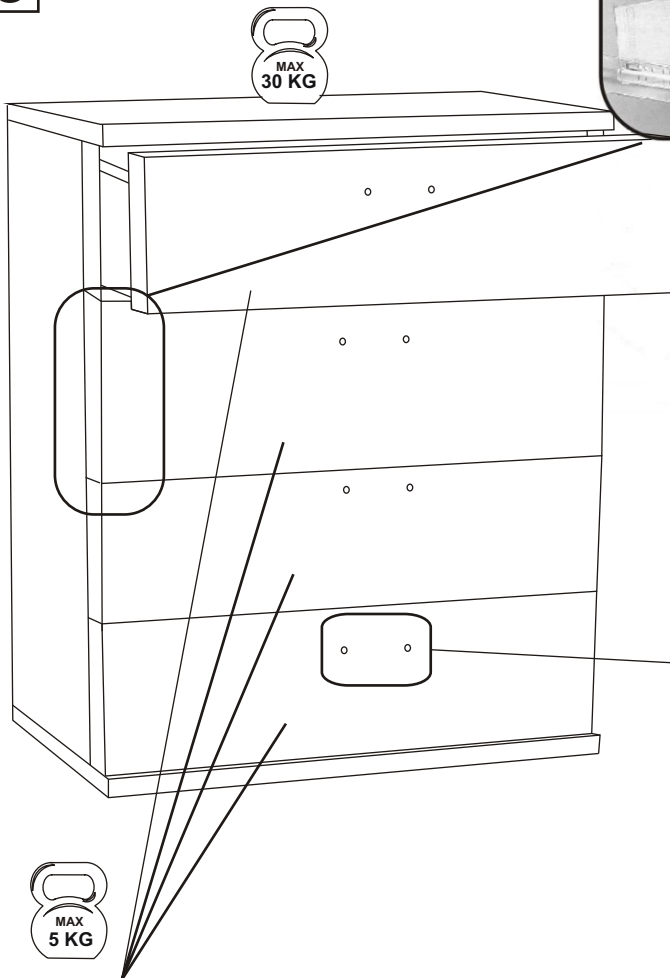
**27**

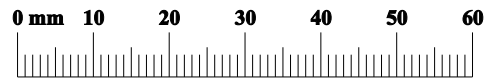
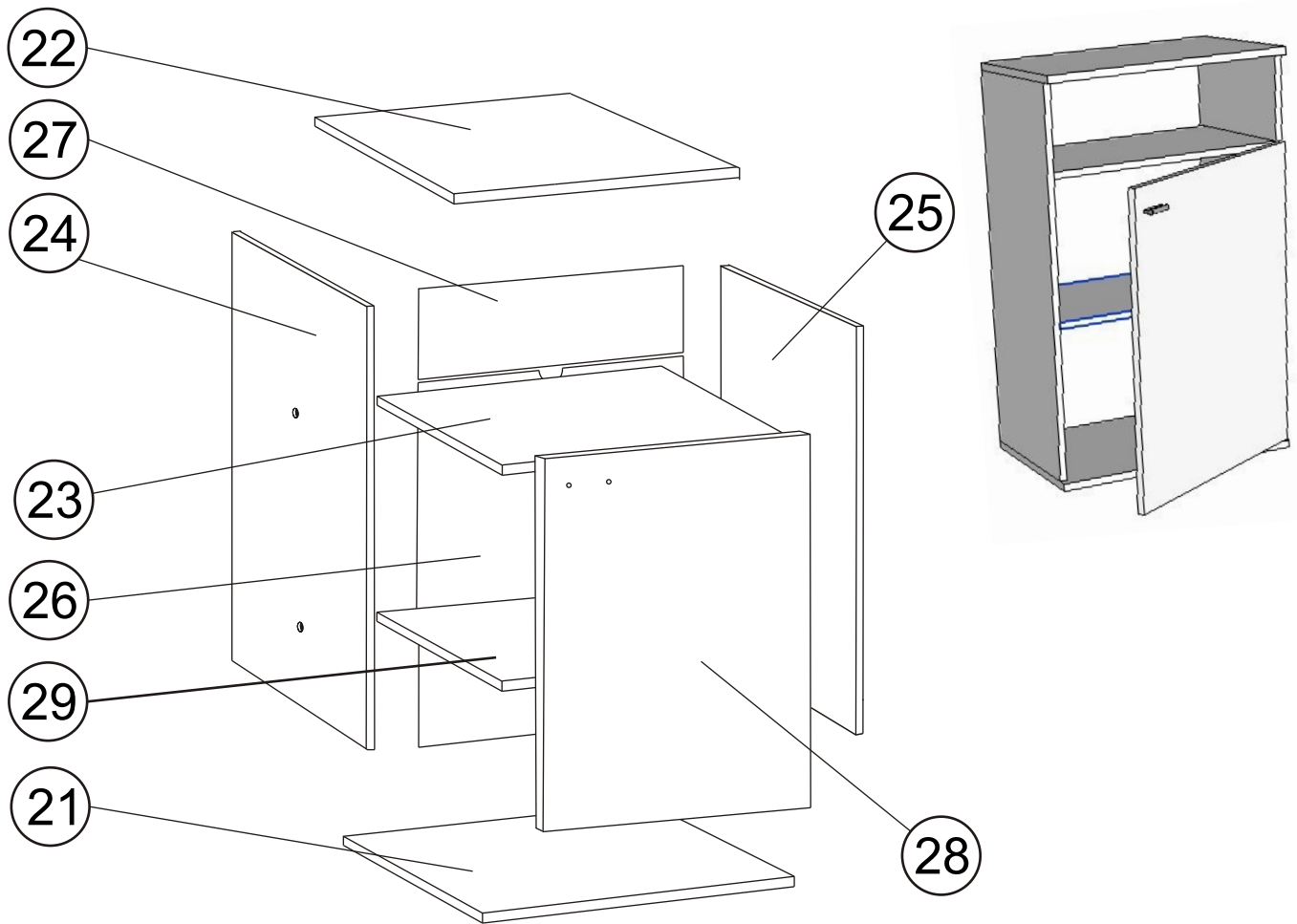



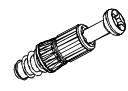
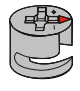

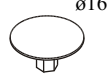
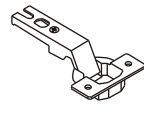
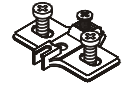




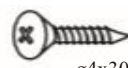
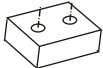


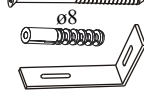


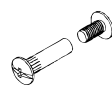
**A=B**



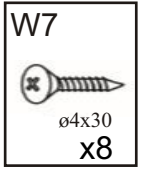
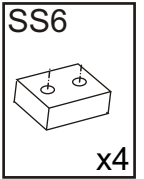
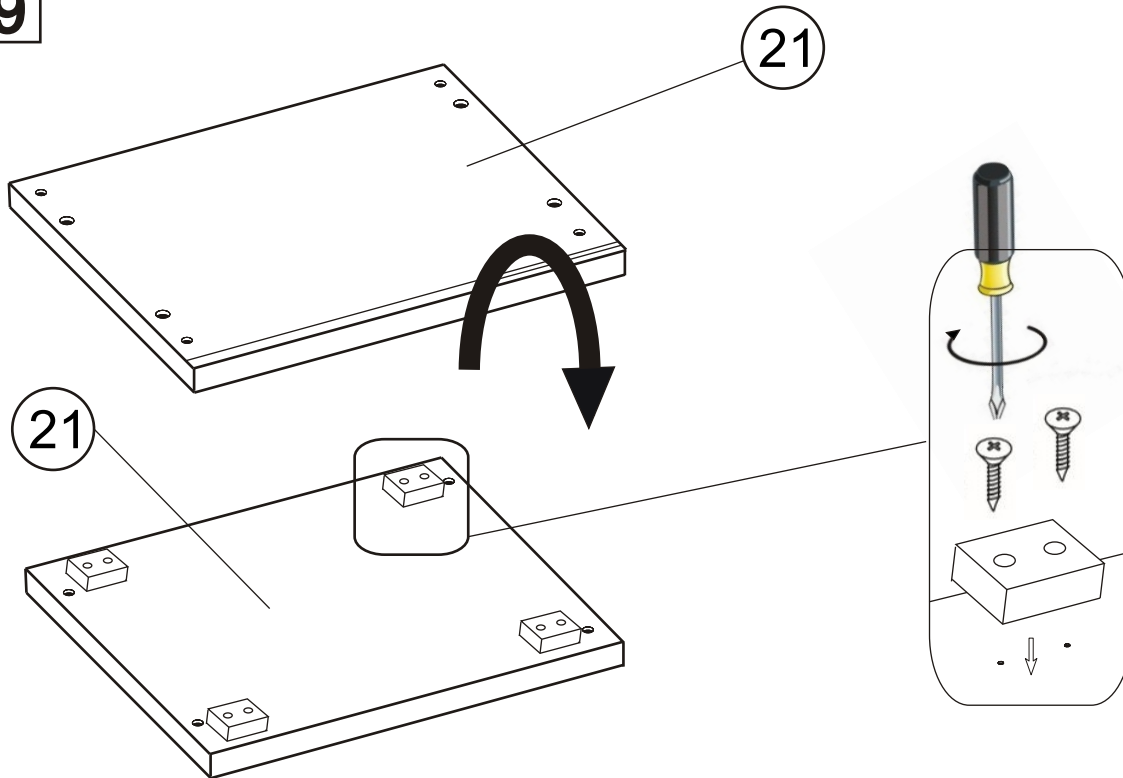
**28**



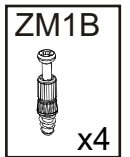
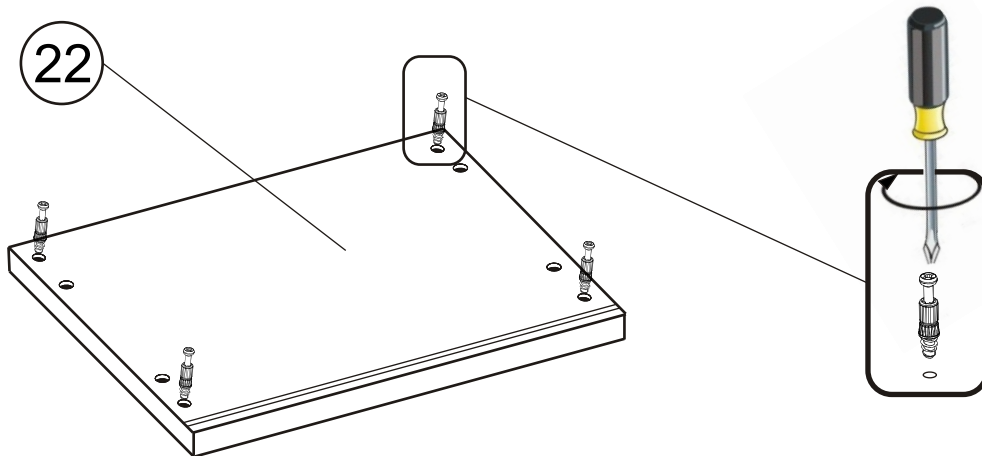


<b>K1</b>  ø7x50 x4	<b>ZM1B</b>  x8	<b>ZM1A</b>  x8	<b>PP</b>  x4	<b>ZM1</b>  ø16 x8
<b>Z1</b>  x2	<b>Z1P</b>  x2	<b>U75</b>  x1	<b>U75A</b>  ø3,5x27 x2	<b>KD1</b>  ø8x35 x12
<b>W11</b>  ø3,5x16 x2	<b>W7</b>  ø4x30 x8	<b>SS6</b>  x4	<b>S1</b>  x10	<b>W4</b>  ø4x13 x4
<b>KRW1</b>  ø8 x1	<b>PL1</b>  x4	<b>W1</b>  ø3x16 x4	<b>ZLS5</b>  x2	

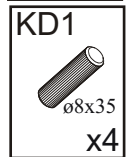
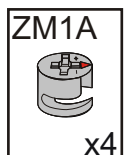
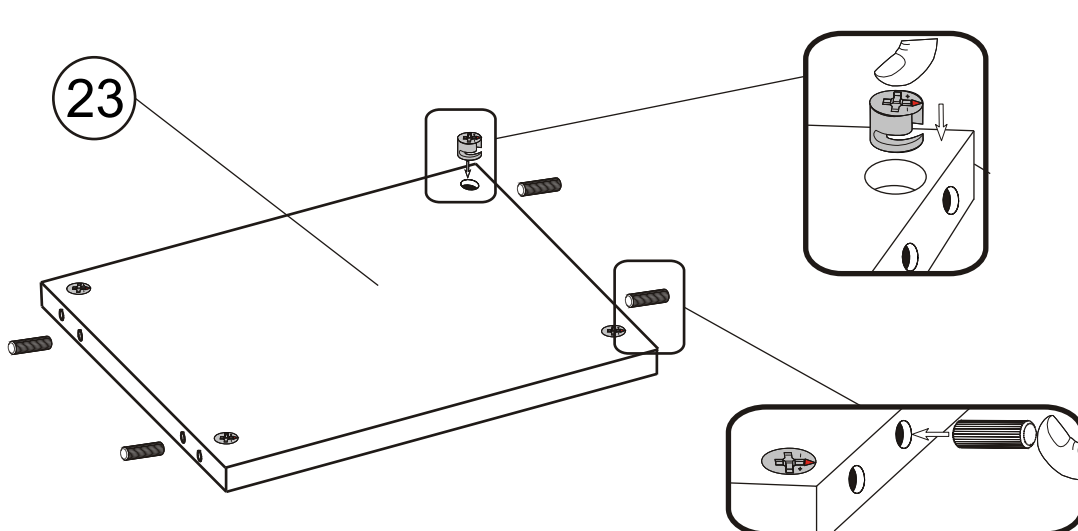
29



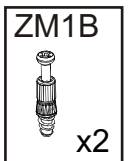
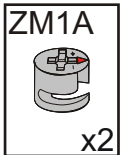
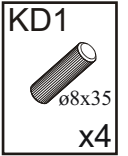
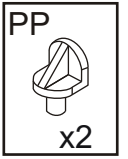
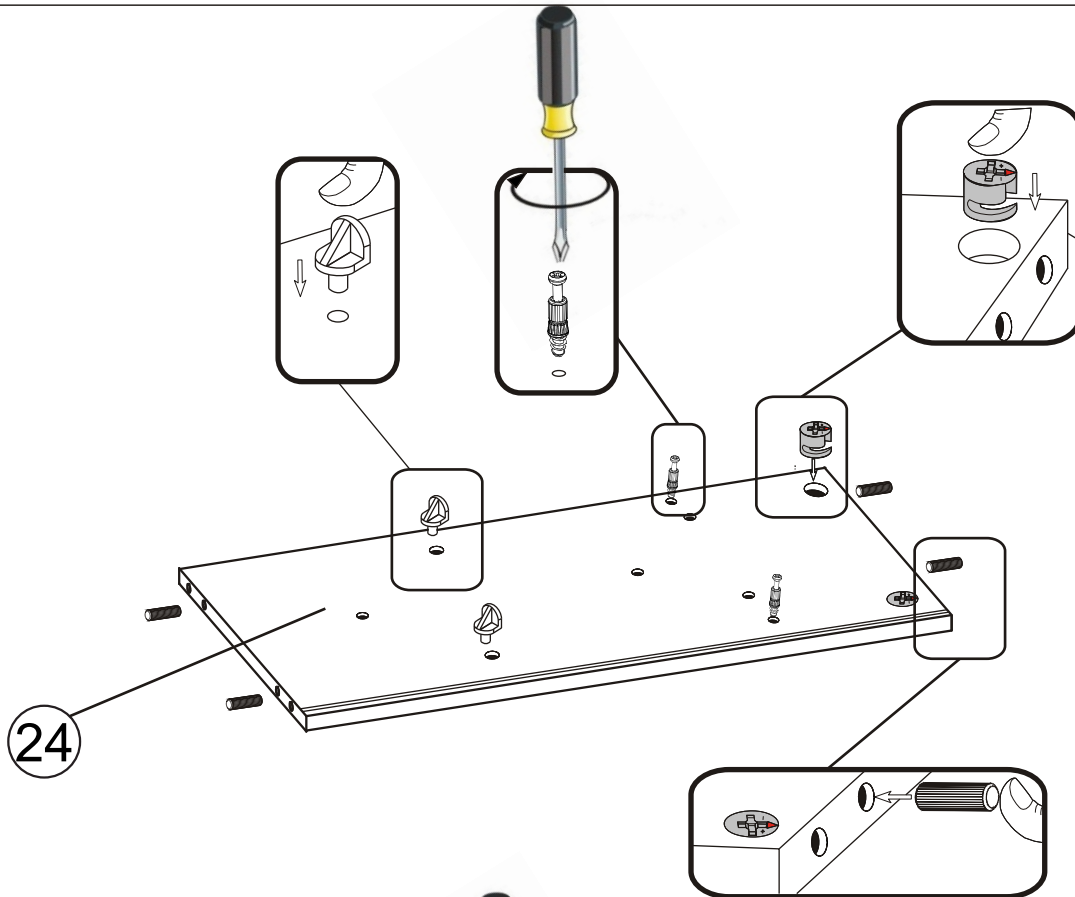
30



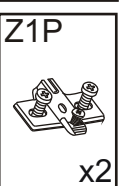
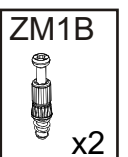
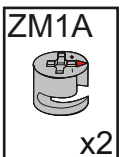
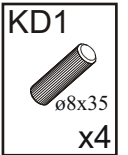
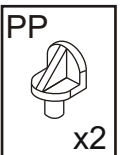
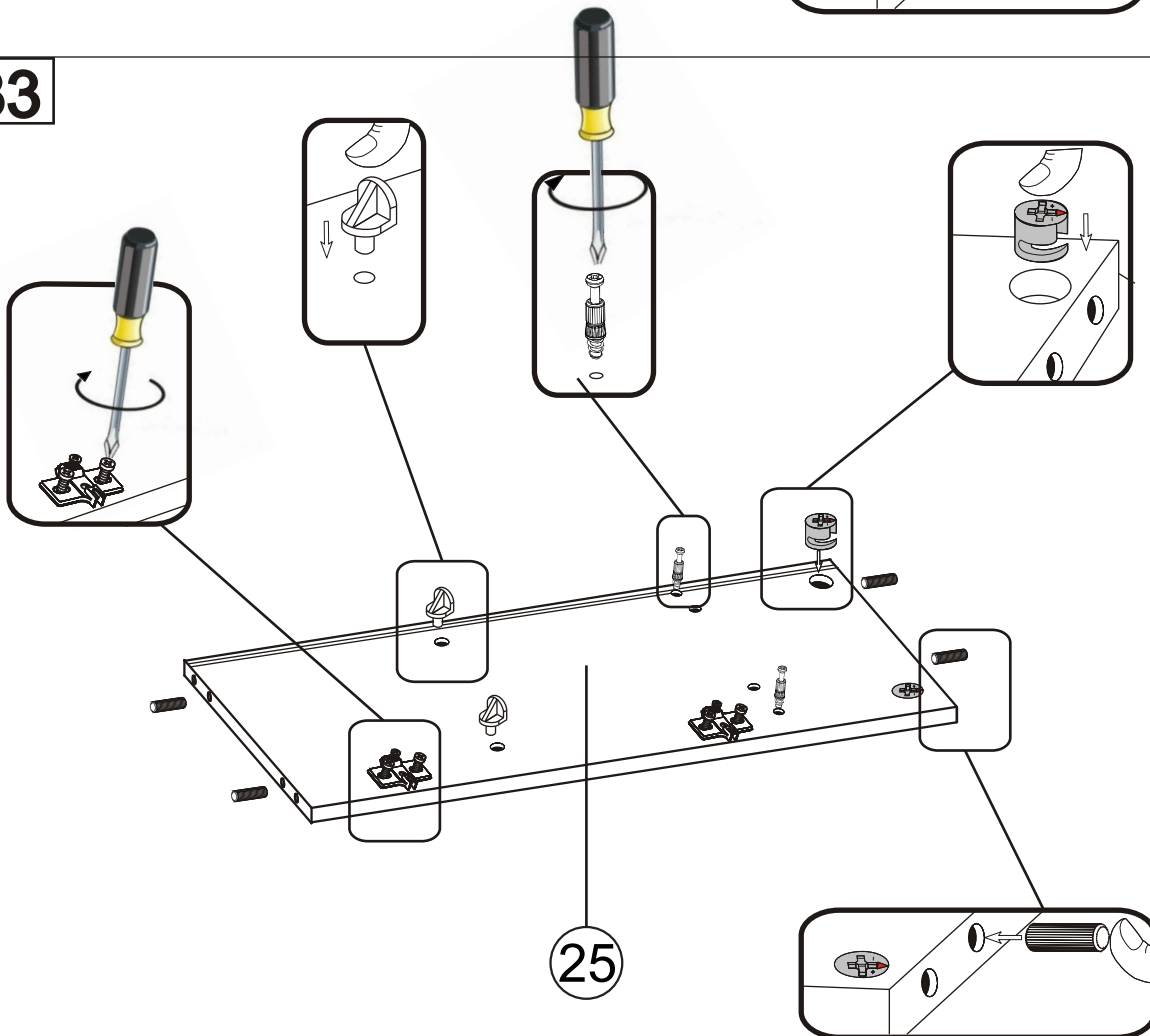
31



## 32



## 33

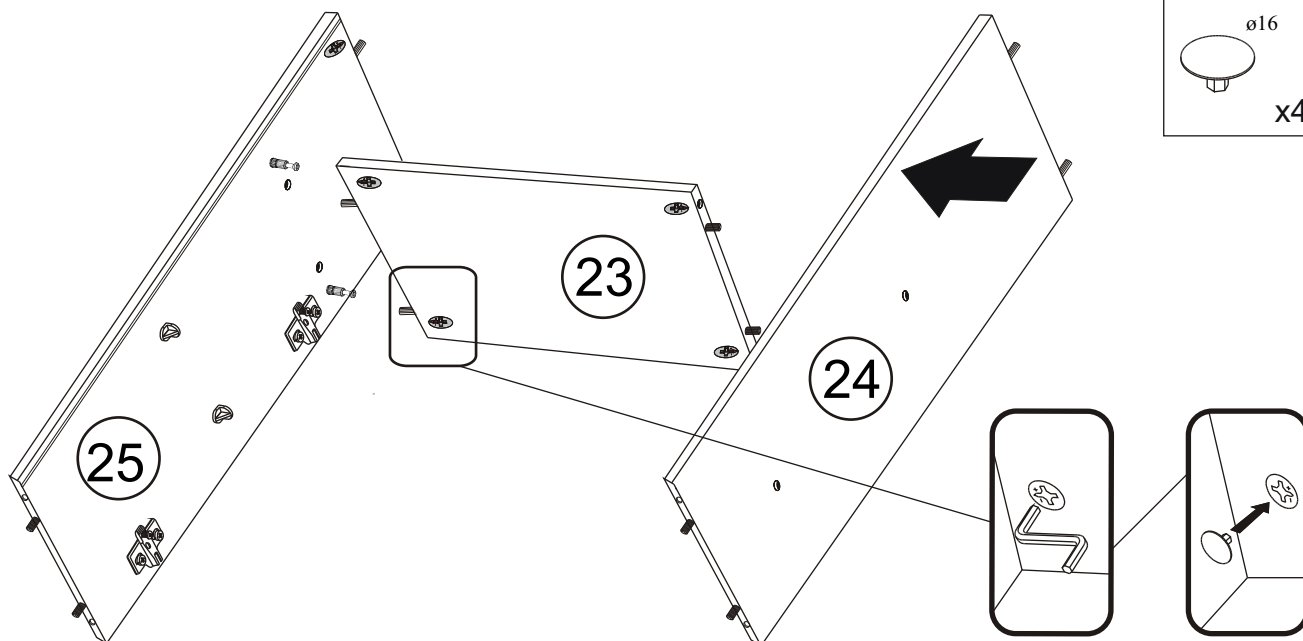


# PERFORMER SIDEBOARD

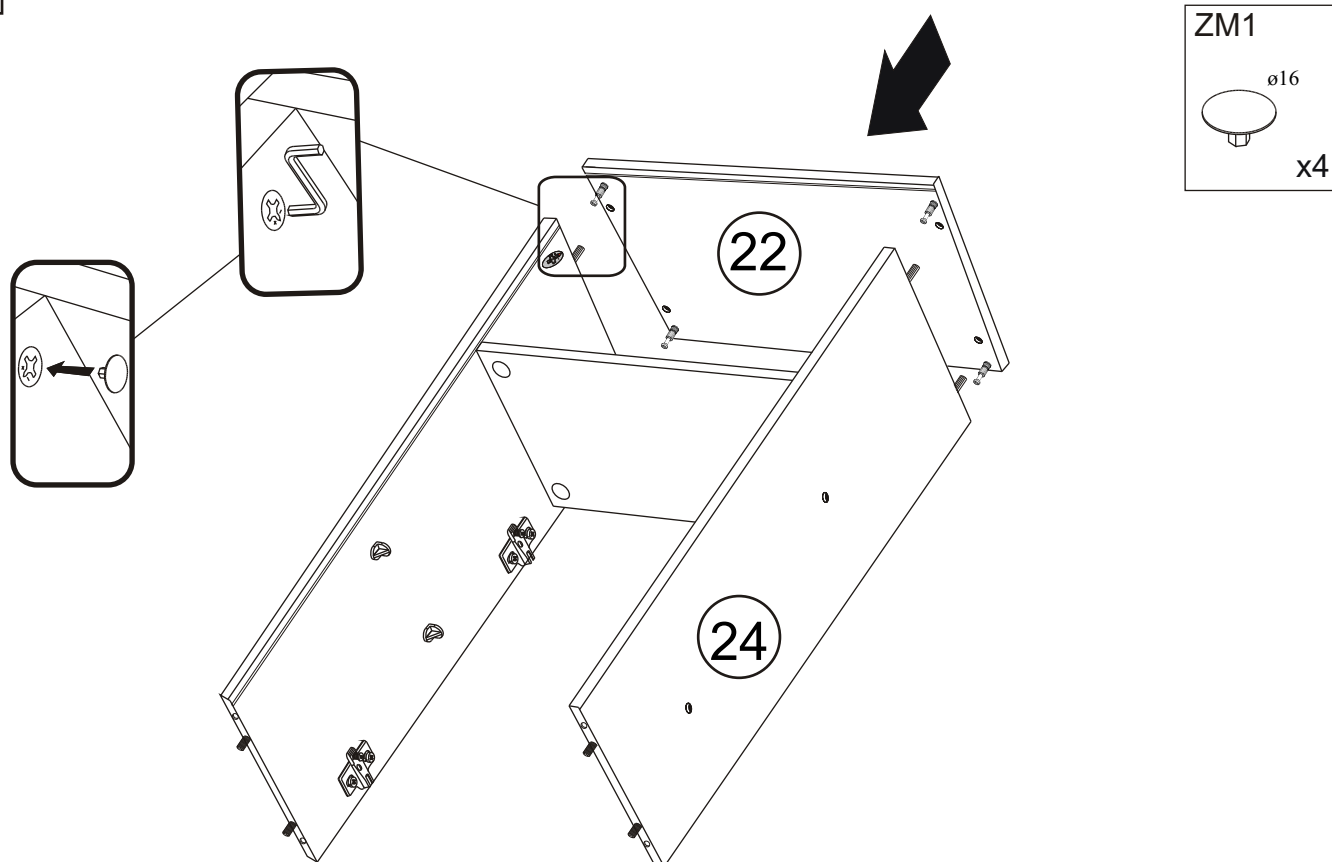
C

20/24

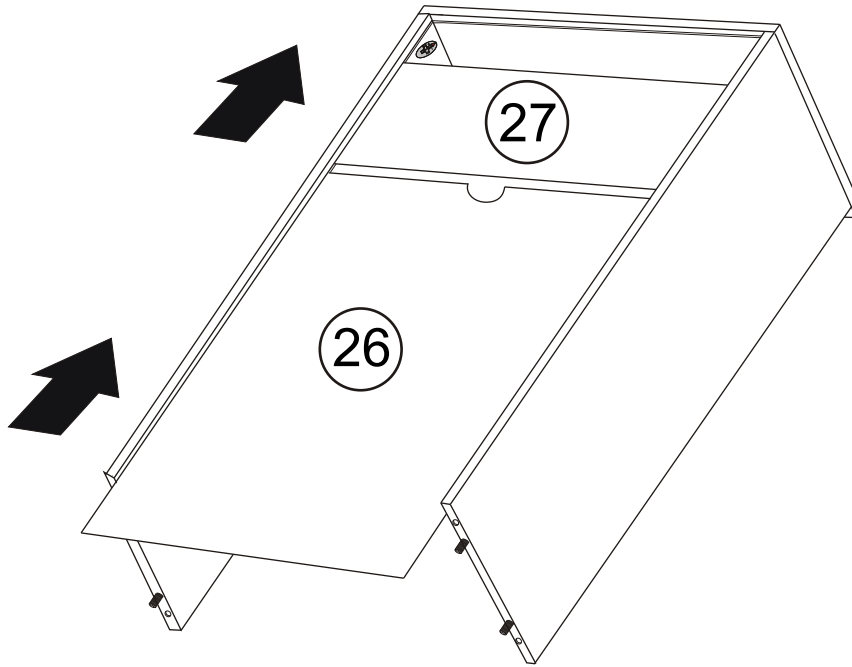
34



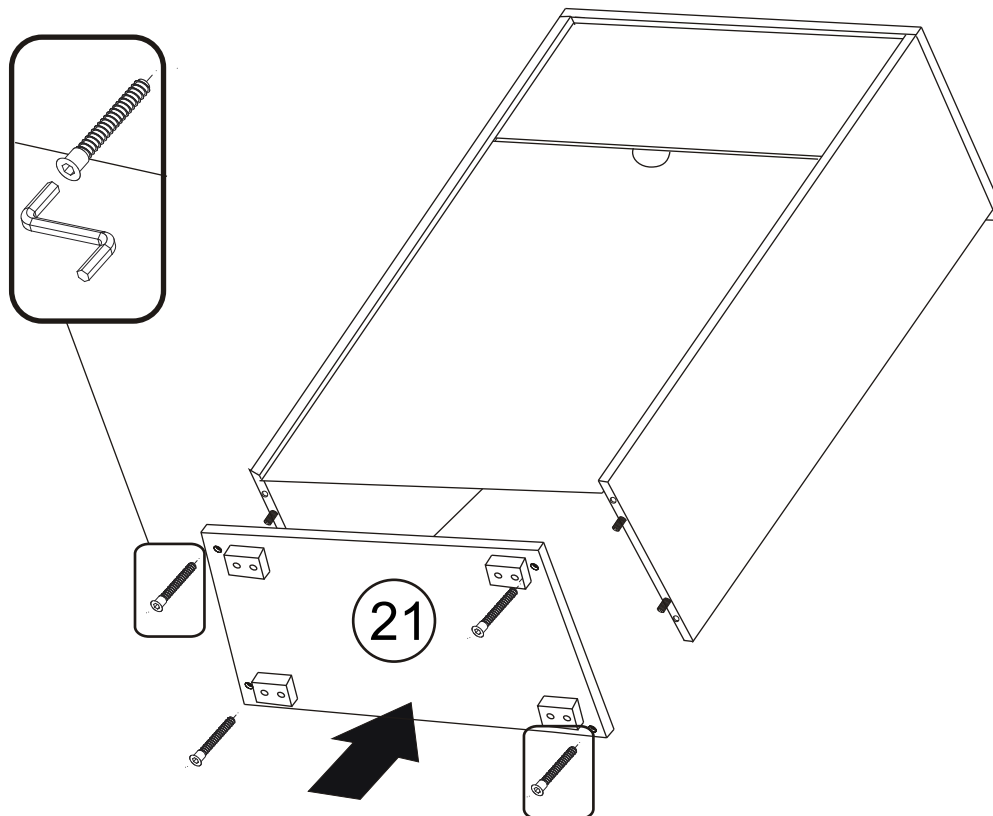
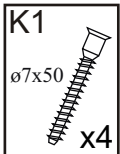
35



36



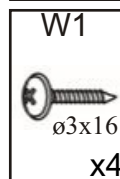
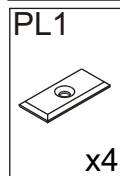
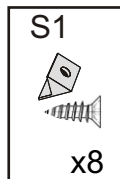
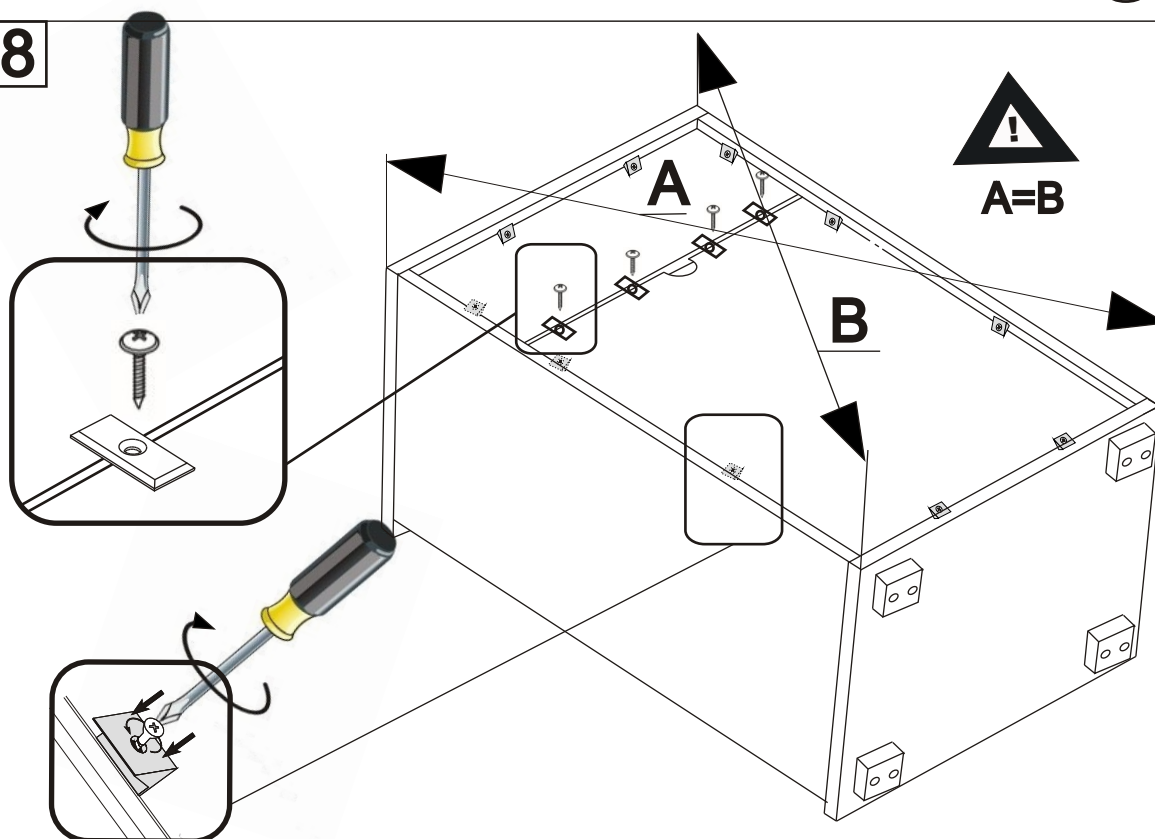
37



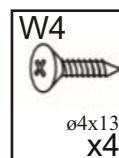
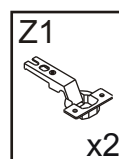
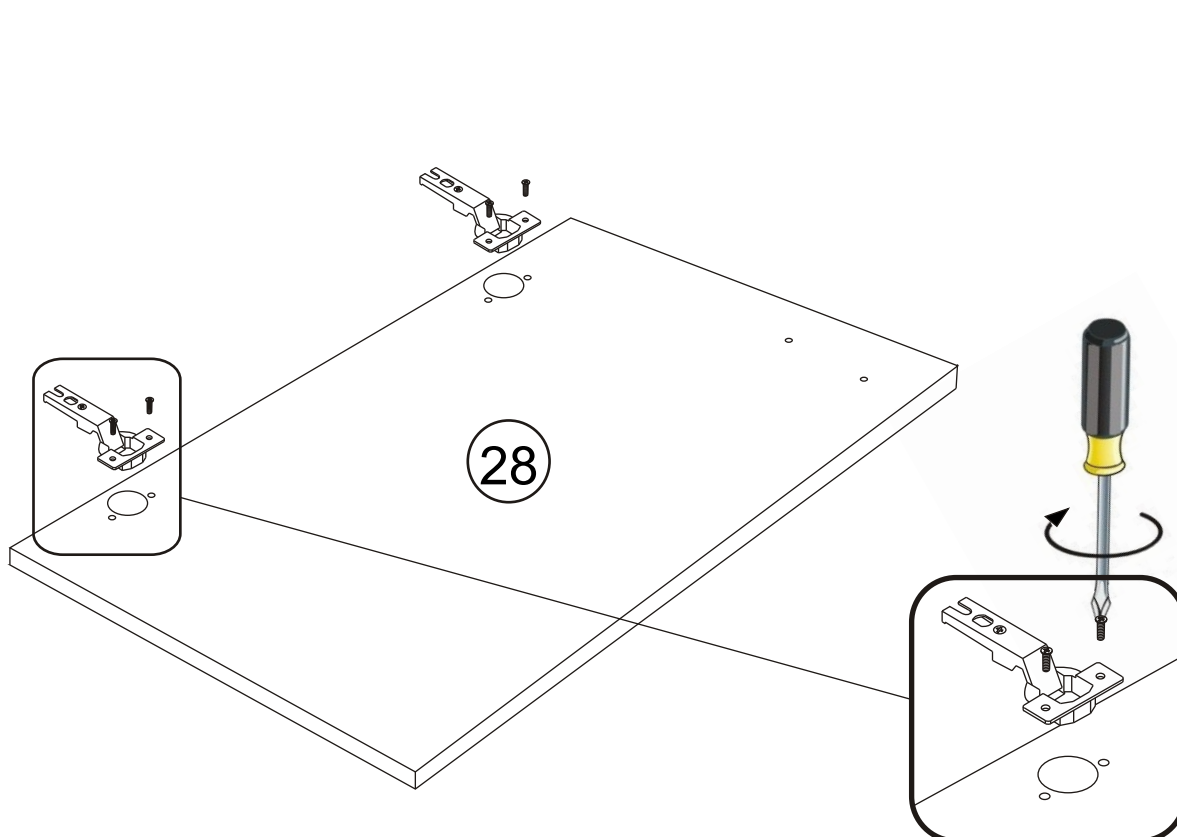
# PERFORMER SIDEBOARD

C 22/24

38



39



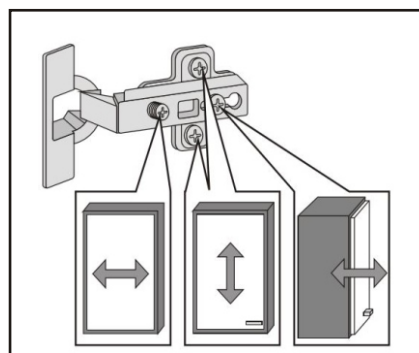
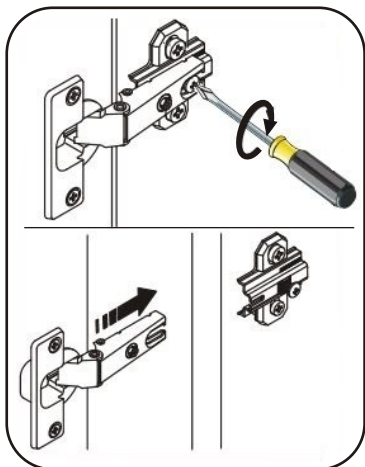
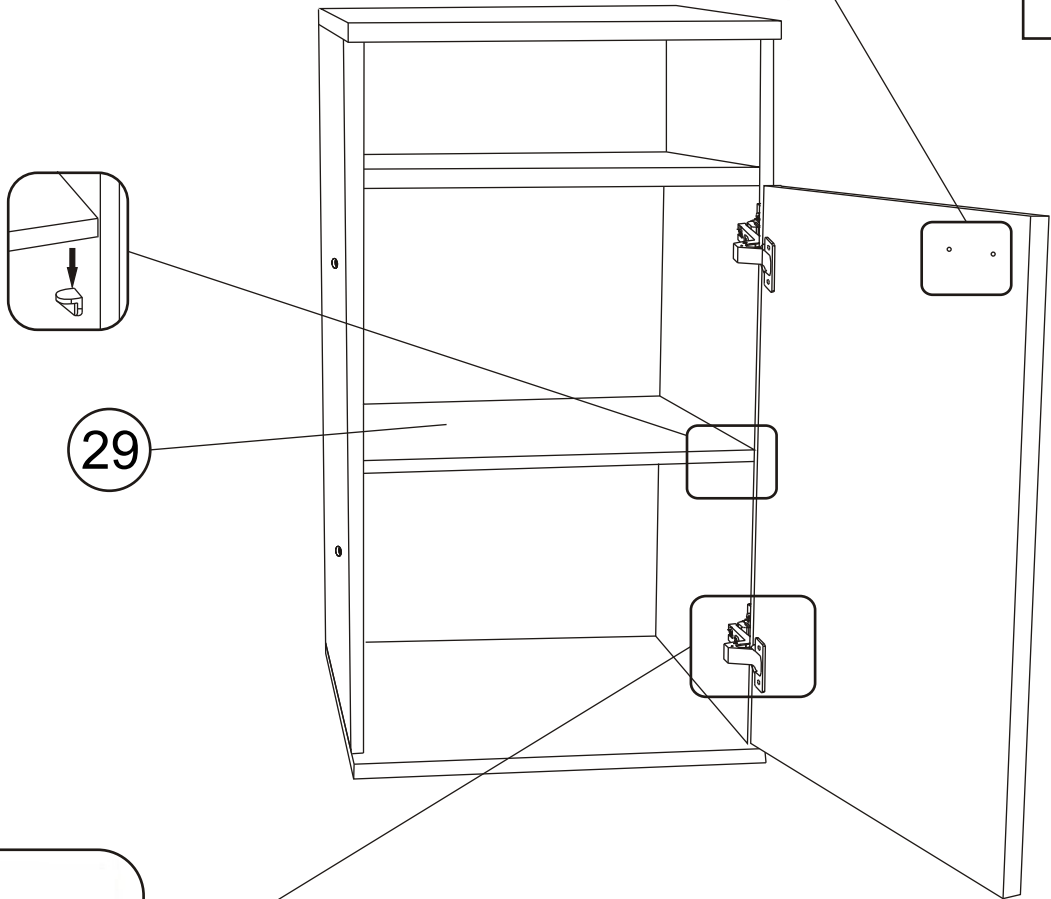
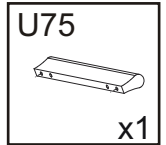
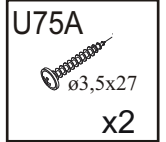
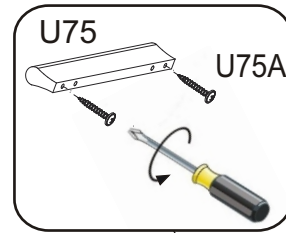


# PERFORMER SIDEBORD

C

23/24

40



## 41

